

# **PARTS CATALOGUE**

# **KAWASAKI**

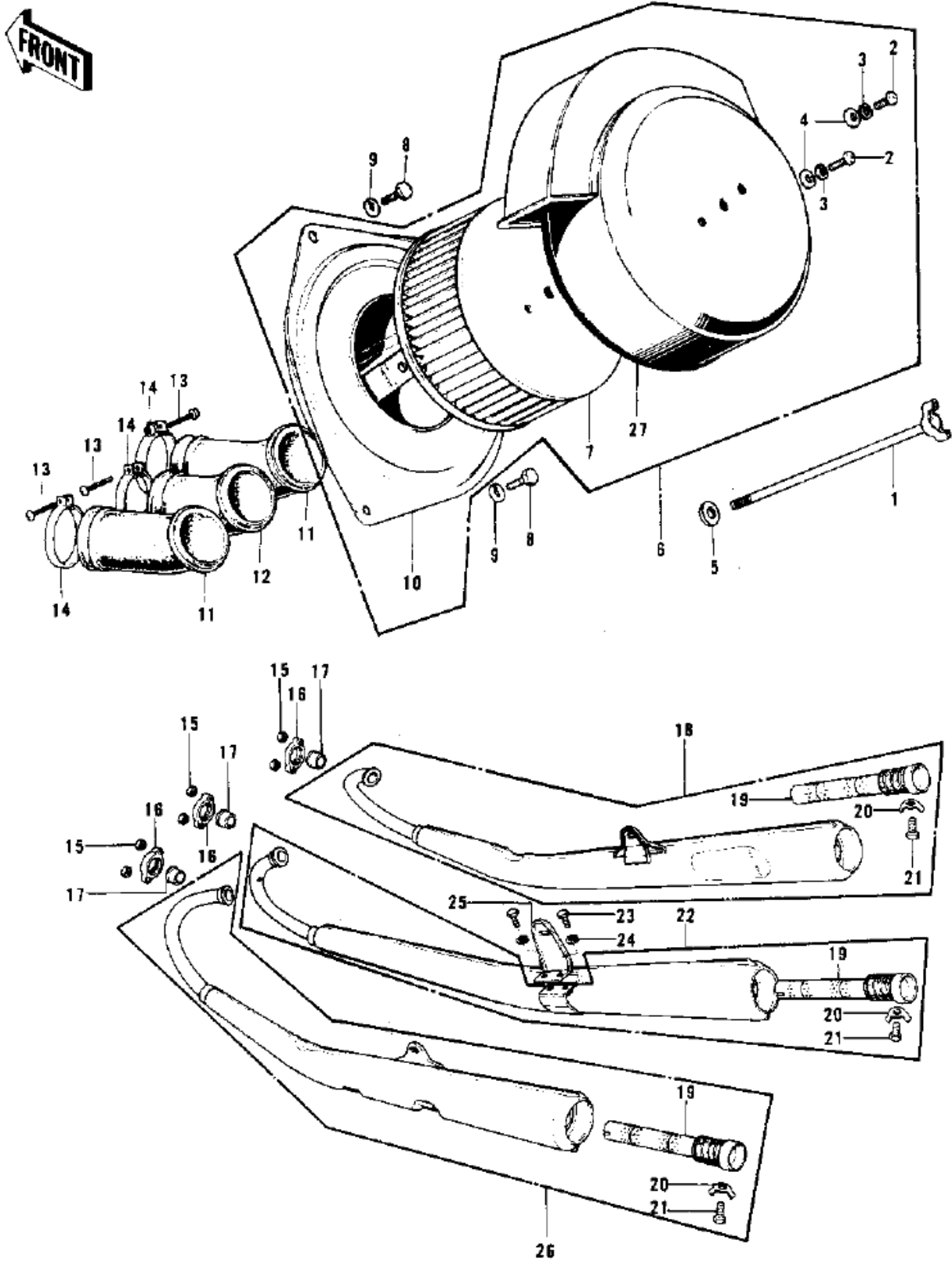
## **400 S3**



# INDEX

1- AIR CLEANER/MUFFLERS .....	P2
2- CABLES.....	P4
3- CARBURATORS.....	P6
4- CHASSIS ELECTRICAL EQUIPMENT.....	P8
5- CLUTCH.....	P10
6- CRANKCASE.....	P12
7- CRANKSHAFT/PISTONS .....	P14
8- CYLINDER HEADS/CYLINDERS.....	P16
9- ENGINE COVERS.....	P18
10- FENDERS.....	P20
11- FOOTRESTS/STANDS/BRAKE PEDAL.....	P22
12- FRAME/FRAME FITTINGS.....	P24
13- FRONT BRAKE.....	P26
14- FRONT FORK .....	P28
15- FRONT HUB .....	P31
16- FRONT MASTER CYLINDER.....	P33
17- FUEL TANK.....	P35
18- GEAR CHANGE MECHANISM.....	P37
19- HANDLEBAR.....	P39
20- HEADLIGHT.....	P41
21- IGNITION/GENERATOR/REGULATOR.....	P43
22- KICKSTARTER MECHANISM.....	P45
23- METERS/IGNITION SWITCH.....	P47
24- OIL PUMP.....	P49
25- OPTIONAL PARTS.....	P51
26- OWNER TOOLS.....	P53
27- REAR HUB/BRAKE/CHAIN.....	P55
28- SEAT/SEAT COVER.....	P57
29- SIDE COVERS/OIL TANK/CHAIN COVER.....	P59
30- SWING ARM/SHOCK ABSORBERS.....	P61
31- TAILLIGHT.....	P63
32- TRANSMISSION/CHANGE DRUM.....	P65
33- TURN SIGNALS.....	P67
34- WHEELS/TIRES.....	P69

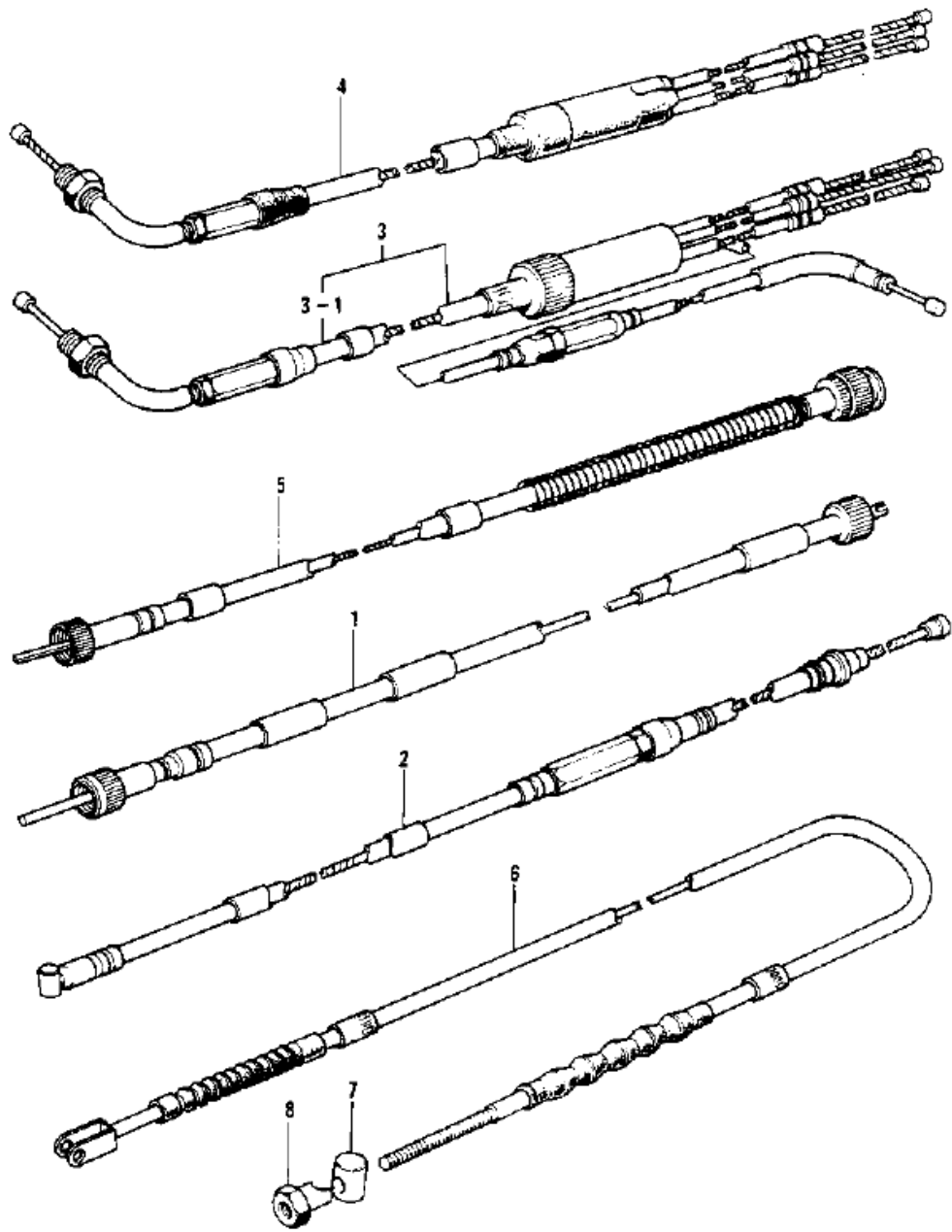
1- AIR CLEANER/MUFFLERS



### 1- AIR CLEANER/MUFFLERS

Ref n°	Part n°	Description	Qty	Spec Code
1	92003-073	BOLT-AIR CLEANER FIT	1	
2	220B0408	SCREW PAN HEAD 4X8	2	
3	461F0400	WASHER SPRING 4MM	2	
4	410B0400	WASHER PLAIN 4MM	2	
5	92022-021	WASHER-PLAIN	1	
6	11010-039-21	AIR CLEANER ASY.BLACK	1	
7	11013-026	ELEMENT,AIR,CLNR	1	
8	112G0612	BOLT-UPSET,6X12	3	
9	461F0600	WASHER SPRING 6MM	3	
10	11011-013	BODY-AIR CLEANER	1	
11	11015-024	PIPE-AIR INLT,R.H&L.H	2	
12	11015-025	PIPE-AIR INLET.CENTER	1	
13	92011-033	SCREW,PAN HEAD,6X35	3	
14	92037-1326	CLAMP	3	
15	92019-007	NUT,LOCK,8MM	6	S3
15	92015-1124	NUT,LOCK,8MM	6	S3
15	92017-013	NUT,LOCK,8MM	6	S3-A
16	18069-054	HOLDER,EXHAUST PIPE	3	
17	18070-011	INSERT,EXH PIPE HLDR	3	
18	18001-161	MUFFLER ASSY,R.H	1	
19	18033-051	BAFFLE TUBE	3	
20	92024-016	WASHER LOCK 6MM	3	
21	112G0612	BOLT-UPSET,6X12	3	
22	18001-160	MUFFLER ASSY.	1	
23	115G0816	BOLT-SMALL-UPSET,8X16	2	
24	461F0300	WASHER SPRING 3MM	2	
25	18061-042	BRACKET,MUFFLER	1	
26	18001-159	MUFFLER ASSY L.H.	1	
27	11024-001	RUBBER SEAL,CLENR CAP	1	

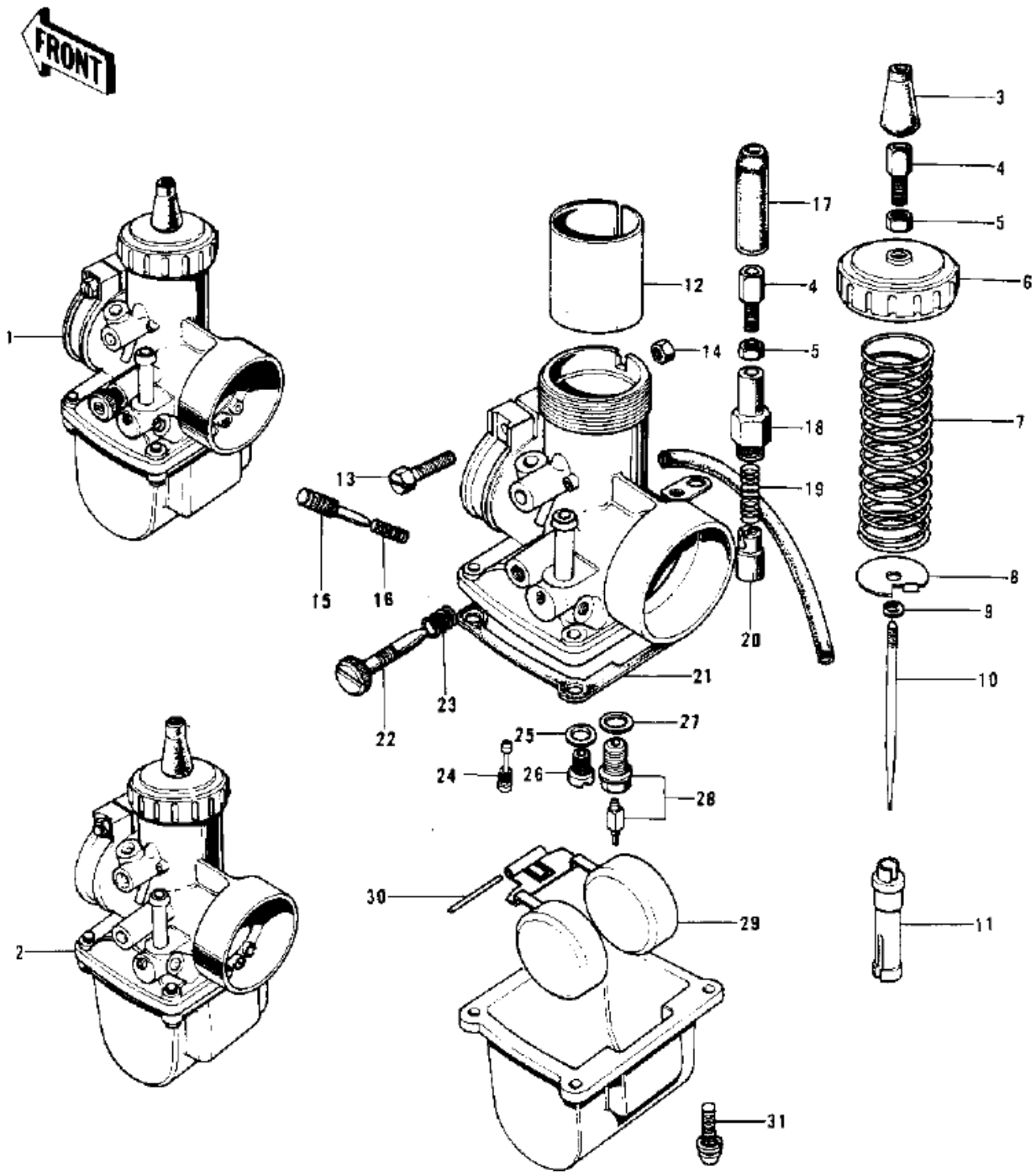
## 2- CABLES



## 2- CABLES

Ref n°	Part n°	Description	Qty	Spec Code
1	54001-041	CABLE,SPEEDOMETER	1	
2	54011-053	CABLE,CLUTCH	1	
3	54012-097	CABLE,COMBINATION	1	
3-1	54012-097-SP	CABLE,TROTTLE UPPER	1	
4	54017-059	CABLE,STARTER	1	
5	54018-016	CABLE-TACHOMETER	1	
6	54022-026	CABLE,REAR BRAKE	1	
7	92043-053	PIN BRAKE ROD	2	
8	92015-041	NUT-BRAKE CABLE ADJST	2	

### 3- CARBURATORS

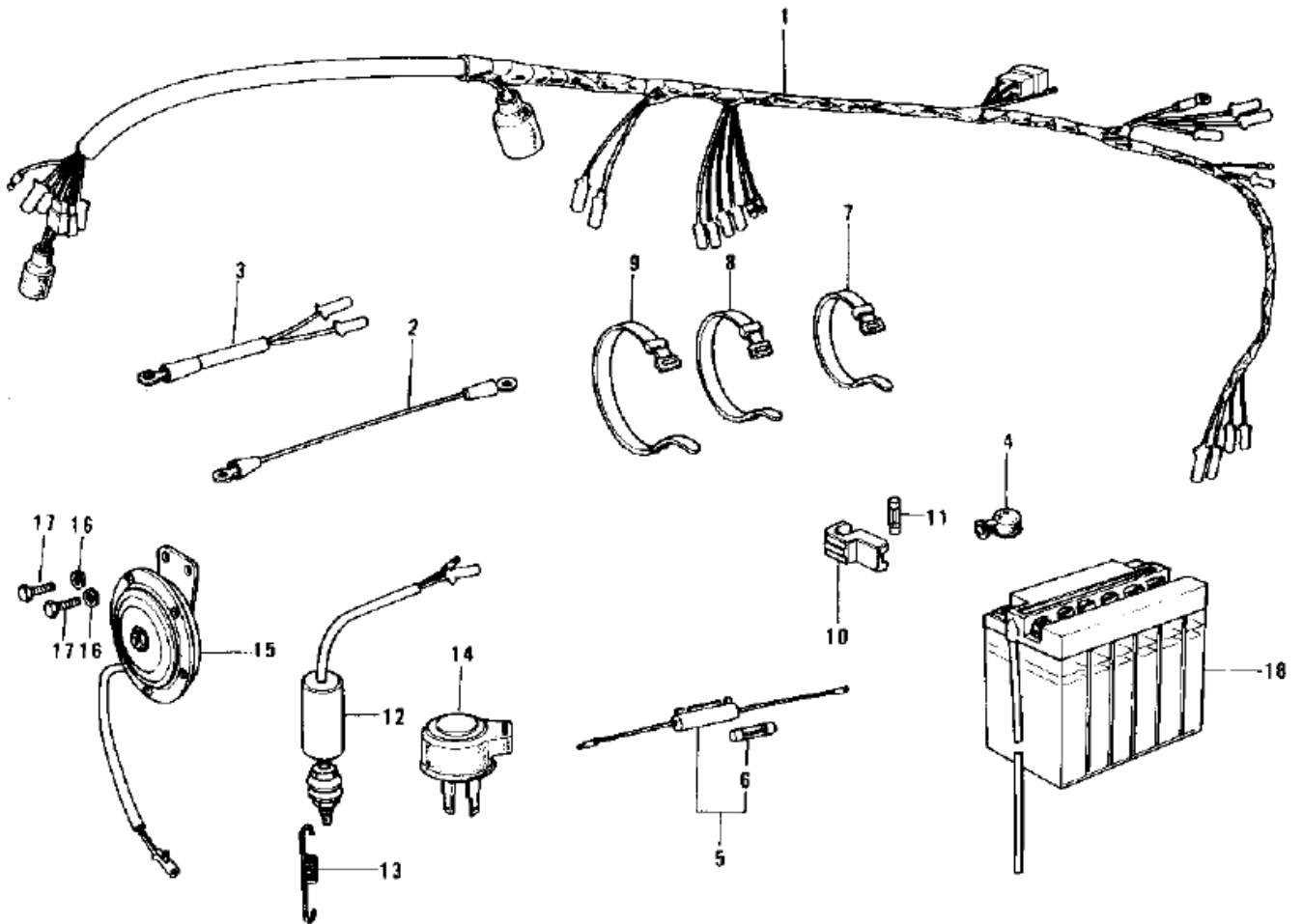


### 3- CARBURETORS

Ref n°	Part n°	Description	Qty	Spec Code
1	16001-186	CARBURETOR ASSY,L,H	1	VM26SC
2	16001-187	CARBURETOR ASY,R,H&CN	2	VM26SC
3	16036-007	CAP.CARBURETOR	3	
4	16002-004	CABLE ADJUSTER	6	
5	16003-004	NUT CABLE ADJUST LOCK	6	
6	16004-025	CAP.MIXING CHAMBER	3	
7	16006-024	SPRING,THROTTLE VALV	3	
8	16007-023	SPRING SEAT,THRTL VL	3	
9	16008-010	CIRCLIP	3	
10	16009-047	JET NEEDLE 4EJ4	3	
11	16017-079	NEEDLE JET,O-2	3	
12	16025-071	VALVE,THROTTLE CA2.0	1	
12	16025-072	VALVE,THROTTLE CA2.0	2	
13	16010-004	SCREW CLAMP	3	
14	311B0600	NUT 6MM	3	
15	16014-006	SCREW	3	
16	16022-007	SPRING-THR STOP SCREW	3	
17	16036-005	CAP CABLE ADJUST RUBB	3	
18	16012-008	CAP STARTER PLUNGER	3	
19	16013-003	SPRING-PLUNGER	3	
20	16016-002	PLUNGER-ENRICHNER	3	
21	16019-013	GASKET FLOAT CHAMBER	3	
22	16021-013	SCREW-THROTTLE STOP	3	
23	16022-005	SPRING THR STOP SCREW	3	
24	92064-021	JET-PILOT NO 20	3	
24	92064-040	JET-PILOT NO.22	3	OPTION
25	16034-001	WASHER MAIN JET	3	
26	92063-093	MAIN JET NO 85R	3	
26	92063-1030	MAIN JET, #A80	3	OPTION
26	92063-124	MAIN JET NO 82.5R	3	OPTION
26	92063-094	MAIN JET NO 87.5R	3	OPTION
26	92063-1029	MAIN JET,#A90R	3	OPTION
27	16029-004	WASHER FLOAT VLV SEAT	3	
28	16030-005	FLOAT VALVE ASSY	3	
29	16031-016	FLOAT	3	
30	16032-003	FLOAT PIN	3	
31	16033-009	SCREW FLOAT CHAMBER	12	



# 4- CHASSIS ELECTRICAL EQUIPMENT

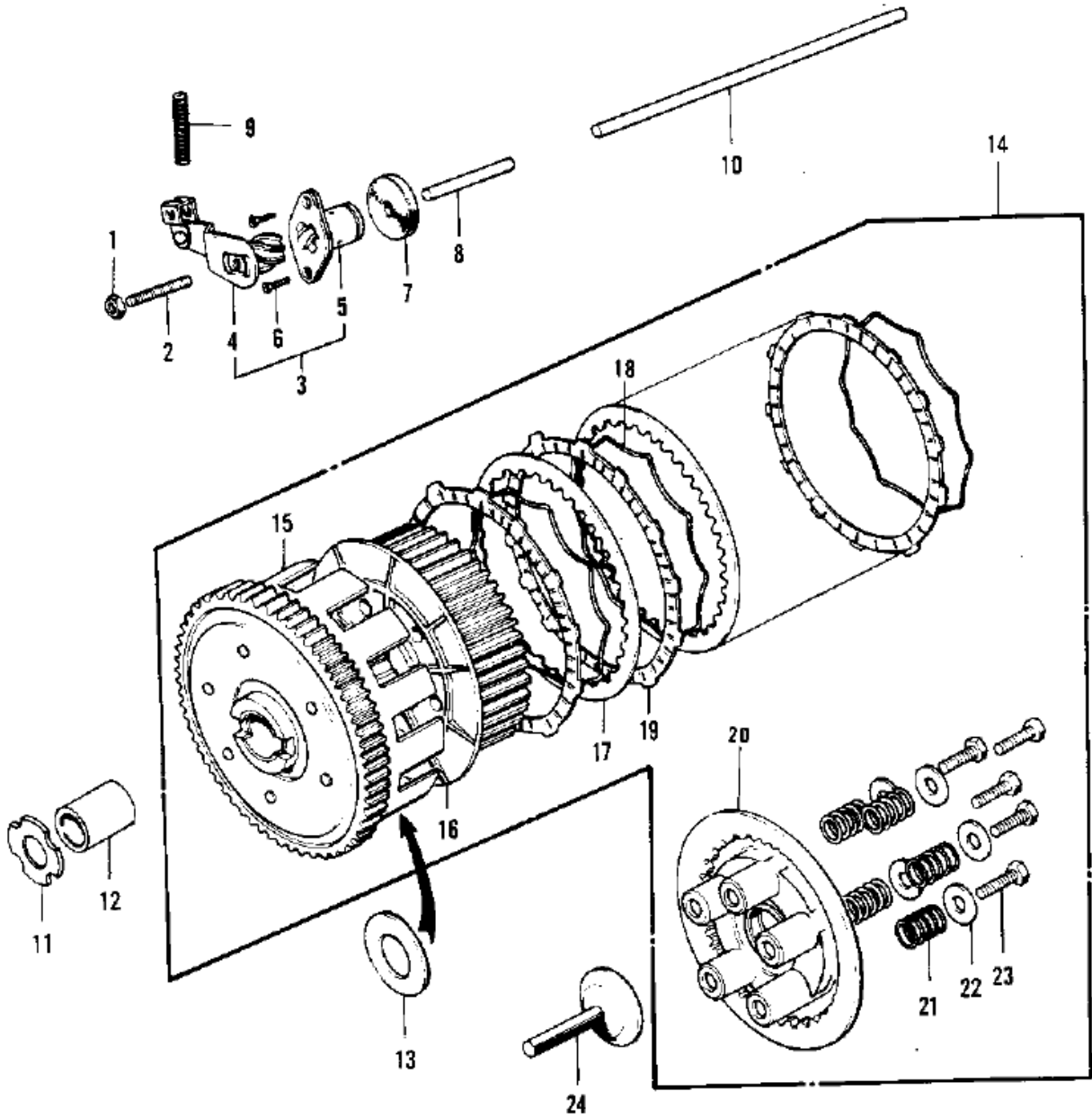


#### **4- CHASSIS ELECTRICAL EQUIPMENT**

<b>Ref n°</b>	<b>Part n°</b>	<b>Description</b>	<b>Qty</b>	<b>Spec Code</b>
1	26001-104	WIRING HARNESS,MAIN	1	
2	26010-107	UNAVAILABLE IN PRICE BOOK	1	S3
2	26011-084	WIRE-LEAD	1	S3-A
3	26010-033	WIRE,BATTERY LEAD	1	
4	92073-001	CAP BAT TERMINAL RUBB	1	
5	26004-013	FUSE ASSY	1	
6	26006-002	FUSE 20A	1	
7	92072-030	BAND,SHORT	6	
8	92072-031	BAND,MIDDLE	5	
9	92072-056	BAND,WIRING HARNESS	2	
10	26016-002	HOLDER,SPARE FUSE	1	
11	26006-002	FUSE 20A	2	
12	27010-020	SWITCH-BRAKE LAMP	1	S3
12	27010-015	SWITCH-BRAKE LAMP	1	S3-A
13	27011-013	SPRING-BRAKE LAMP SW	1	
14	27002-011	RELAY-TURN SIGNAL	1	
15	27003-042	HORN	1	
16	461F0800	WASHER SPRING 8MM	2	
17	115G0816	BOLT-SMALL-UPSET.8X16	2	
18	26012-022	FB BAT 12N5.5-4A	1	12N5.5-4A

# 5- CLUTCH

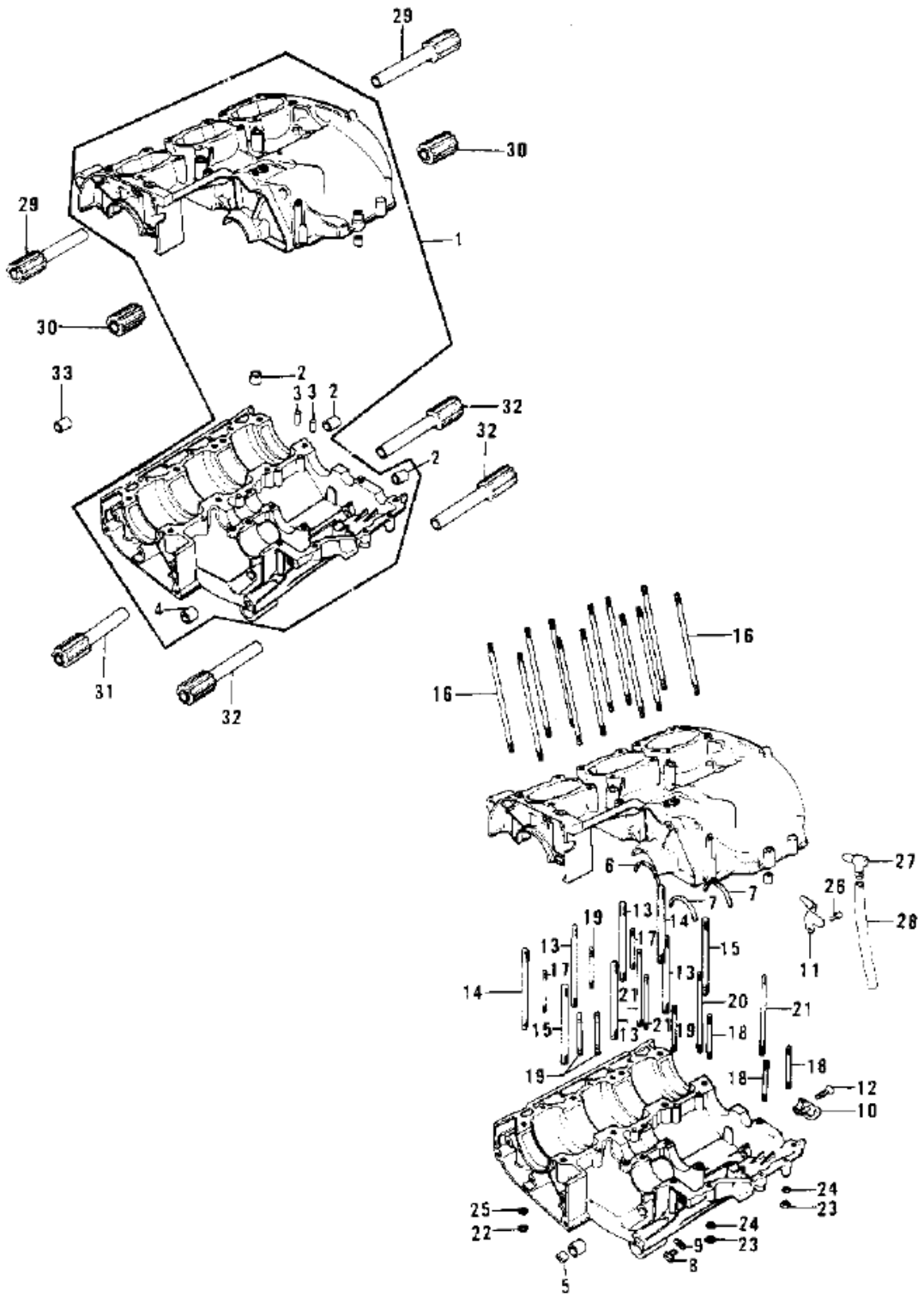
FRONT



## 5- CLUTCH

Ref n°	Part n°	Description	Qty	Spec Code
1	311B0600	NUT 6MM	1	
2	291Z0625	SCREW SLOTTED	1	
3	13231-010	RELEASE ASSY,CLUTCH	1	
4	13102-017	INNER,CLUTCH RELEASE	1	
5	13118-008	OUTER,CLUTCH RELEASE	1	
6	221B0616	SCREW CNTSNK HD 6X16	2	
7	92050-040	OIL SEAL TC7297	1	
8	13116-010	ROD CLUTCH PUSH SHORT	1	
9	92081-096	SPRING-CLUTCH RELEASE	1	
10	13116-019	ROD-CLUTCH PUSH, LONG	1	
11	92022-119	WASHER THRUST	1	
12	92028-045	BUSH CLUTCH	1	
13	92022-189	WASHER-PLAIN,20MM	1	
14	13081-1070	CLUTCH-ASSY	1	WHN EXH USE 13081-1023
14	13081-1070	CLUTCH-ASSY	1	WHN EXH USE 13081-1070
14	13081-1070	CLUTCH-ASSY	1	
15	13095-1040	HOUSING-COMP-CLUTCH	1	WHN EXH USE 13095-1040
15	13095-1040	HOUSING-COMP-CLUTCH	1	
16	13087-036	HUB,CLUTCH	1	
17	13089-003	PLATE CLUTCH STEEL	6	
18	13229-002	RING-CLUTCH STEEL	7	
19	13088-1015	PLATE-FRICTION	7	
20	13187-004	PLATE-CLUTCH SPRING	1	
21	92081-095	SPRING-CLUTCH	5	
22	92022-167	WASHER-PLAIN,5MM	5	
23	92003-078	BOLT,5X18	5	
24	13116-016	PUSHER-CLTCH SPRG PLT	1	

# 6- CRANKCASE

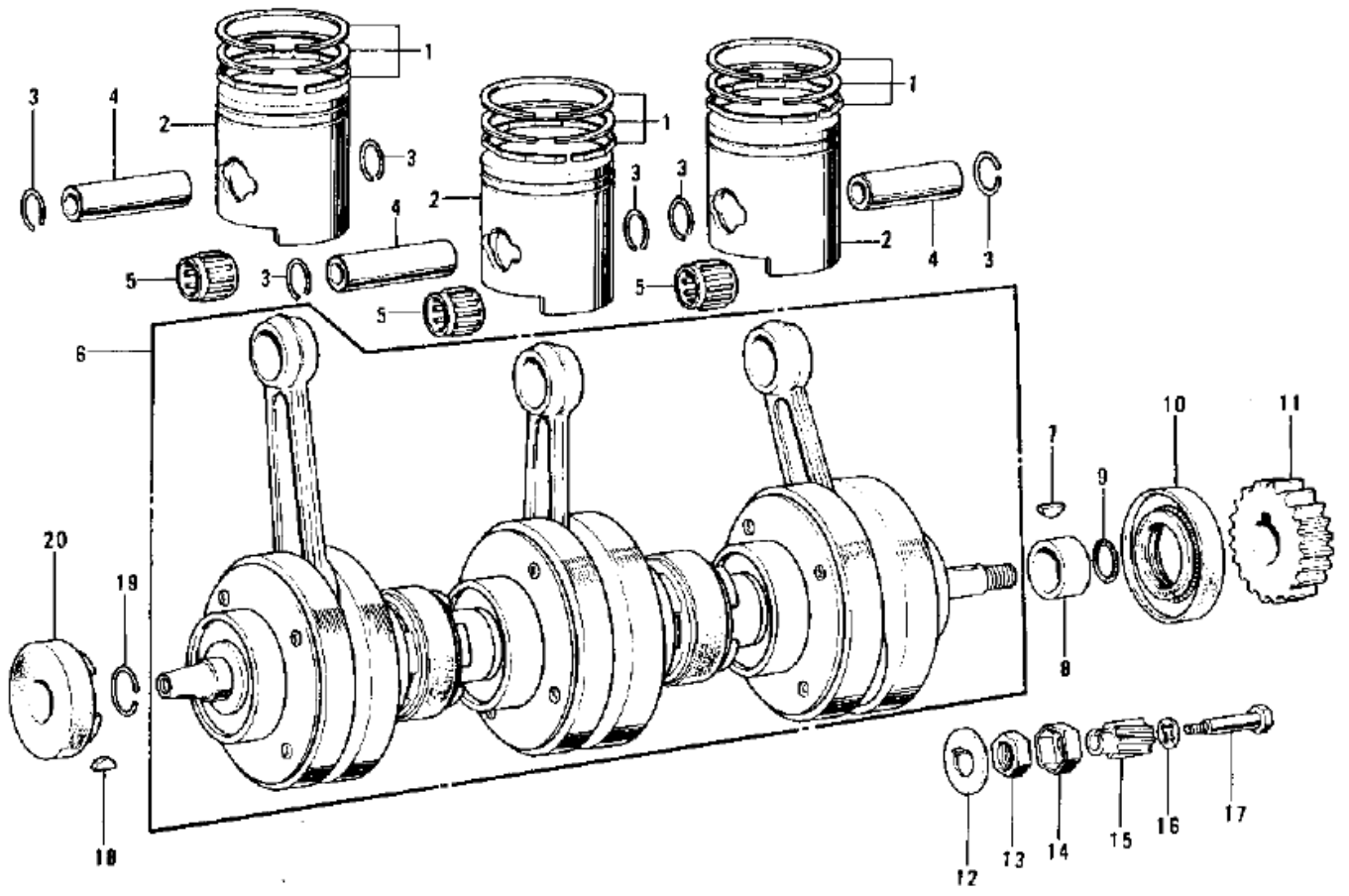


## 6- CRANKCASE

Ref n°	Part n°	Description	Qty	Spec Code
1	14001-059	CRANKCASE SET	1	
2	92043-1037	PIN,DOWEL,10X8.2X14	4	
3	92042-016	PIN DOWEL 6MM	3	
4	92028-071	BUSH CHANGE PEDAL SHT	1	
5	92049-004	OIL SEAL SB12205	1	
6	14013-013	RING-BEARING SET	1	
7	14013-004	RING BEARING SETTING	2	
8	92067-001	PLUG OIL DRAIN	1	
9	92065-058	GASKET CHECK VALVE	1	
10	14015-001	RECEIVER OIL	1	
11	14015-003	RECEIVER-OIL	1	
12	221B0616	SCREW CNTSNK HD 6X16	1	
13	172G1055	STUD,10X55	4	
14	172G1070	STUD,10X70	2	
15	172G1080	STUD,10X80	2	
16	172G0865	STUD 8X65	12	
17	172G0622	STUD 6X22	2	
18	172G0635	STUD 6X35	3	
19	172G0645	STUD,6X45	4	
20	172G0650	STUD 6X50	1	
21	172G0665	STUD,6X65	3	
22	317B1000	NUT,10MM	8	
23	311B0600	NUT 6MM	13	
24	461F0600	WASHER SPRING 6MM	13	
25	461F1000	WASHER SPRING 10MM	8	
26	220B0610	SCREW PAN HEAD 6X10	1	
27	14069-003	BREATHER	1	
28	92059-061	PIPE-BREATHER	1	
29	14017-002	DAMPER RUBBER	2	
30	14017-004	DAMPER RUBBER	2	
31	14017-009	DAMPER RUBBER	1	
32	14017-003	DAMPER RUBBER	1	
33	92042-007	PIN-DOWEL	1	

# 7- CRANKSHAFT/PISTONS

FRONT

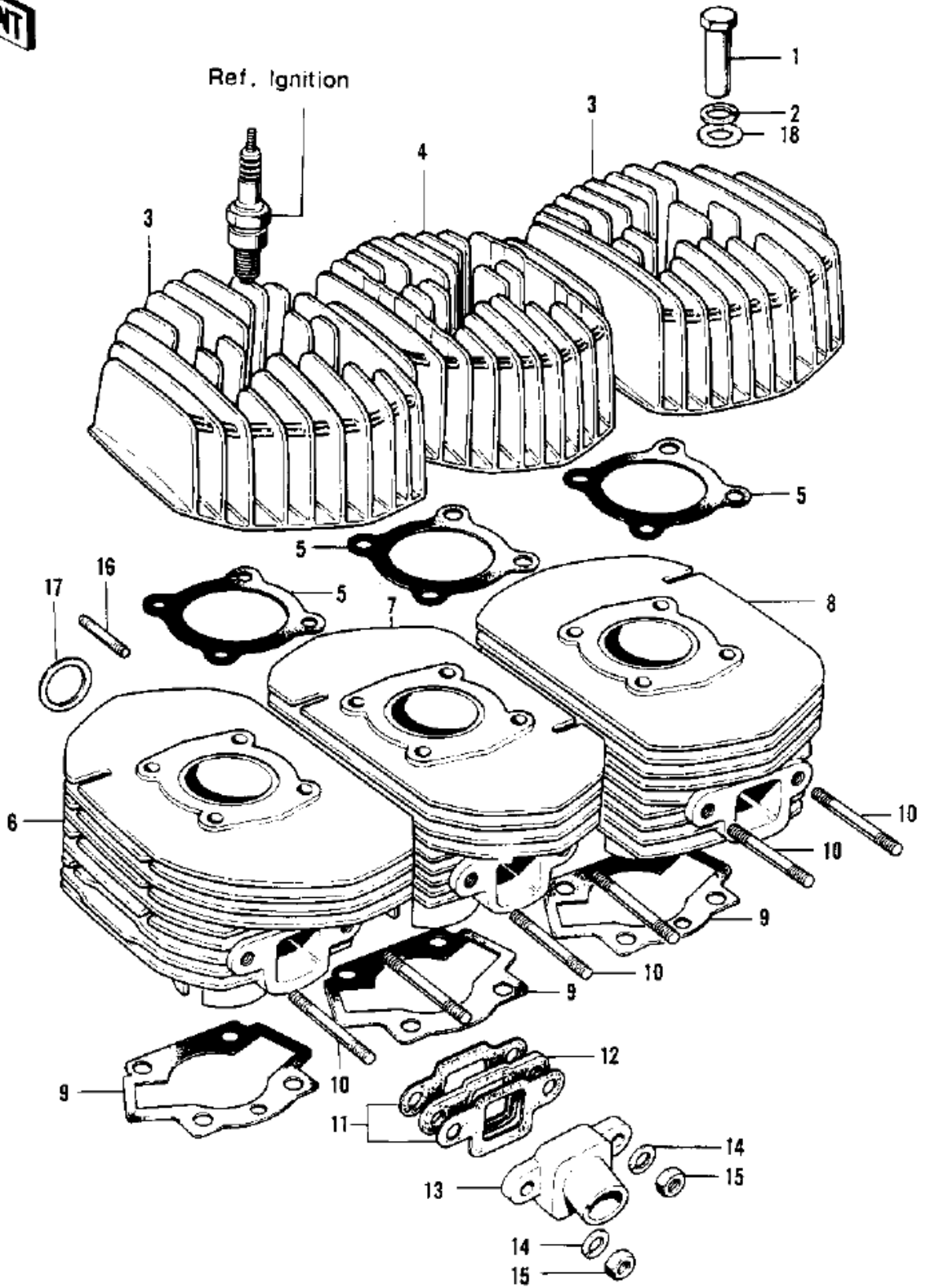


## 7- CRANKSHAFT/PISTONS

Ref n°	Part n°	Description	Qty	Spec Code
1	13008-049	RING SET,STD	3	
1	13025-053	RING SET,0.020" O.S	3	
1	13024-054	RING SET,0.040" O.S	3	
2	13001-071	PISTON,STD	3	
2	13029-062	PISTON,0.020" O.S	3	
2	13027-060	PISTON,0.040" O.S	3	
3	92036-005	CIRCLIP PISTON PIN	6	
4	13002-025	PIN-PISTON	3	
5	13033-007	NEEDLE BEARING SM END	3	
6	13031-1008	CRANK CONROD ASSY	1	
7	92038-015	WOODRUFF KEY	1	
8	92027-031	COLLAR CRANK OIL SEAL	1	
9	92055-018	"0" RING,22MM	1	
10	92050-052	OIL SEAL,TC326210	1	
11	13121-025	GEAR,PRIMARY	1	
12	92024-067	WASHER,LOCK,18MM	1	
13	92015-019	NUT 18MM	1	
14	92024-021	WASHER LOCK	1	
15	16084-014	PINION-OIL PUMP	1	
16	463H0600	WASHER LOCK 6MM	1	
17	92003-068	BOLT-OIL PUMP GEAR	1	
18	92038-001	WOODRUFF KEY	3	
19	92036-013	CIRCLIP	1	
20	92050-041	OIL SEAL TCY256210	1	



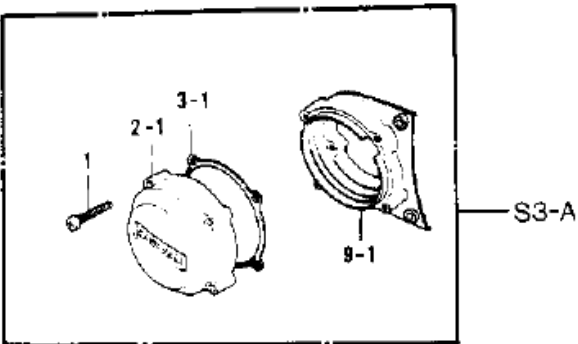
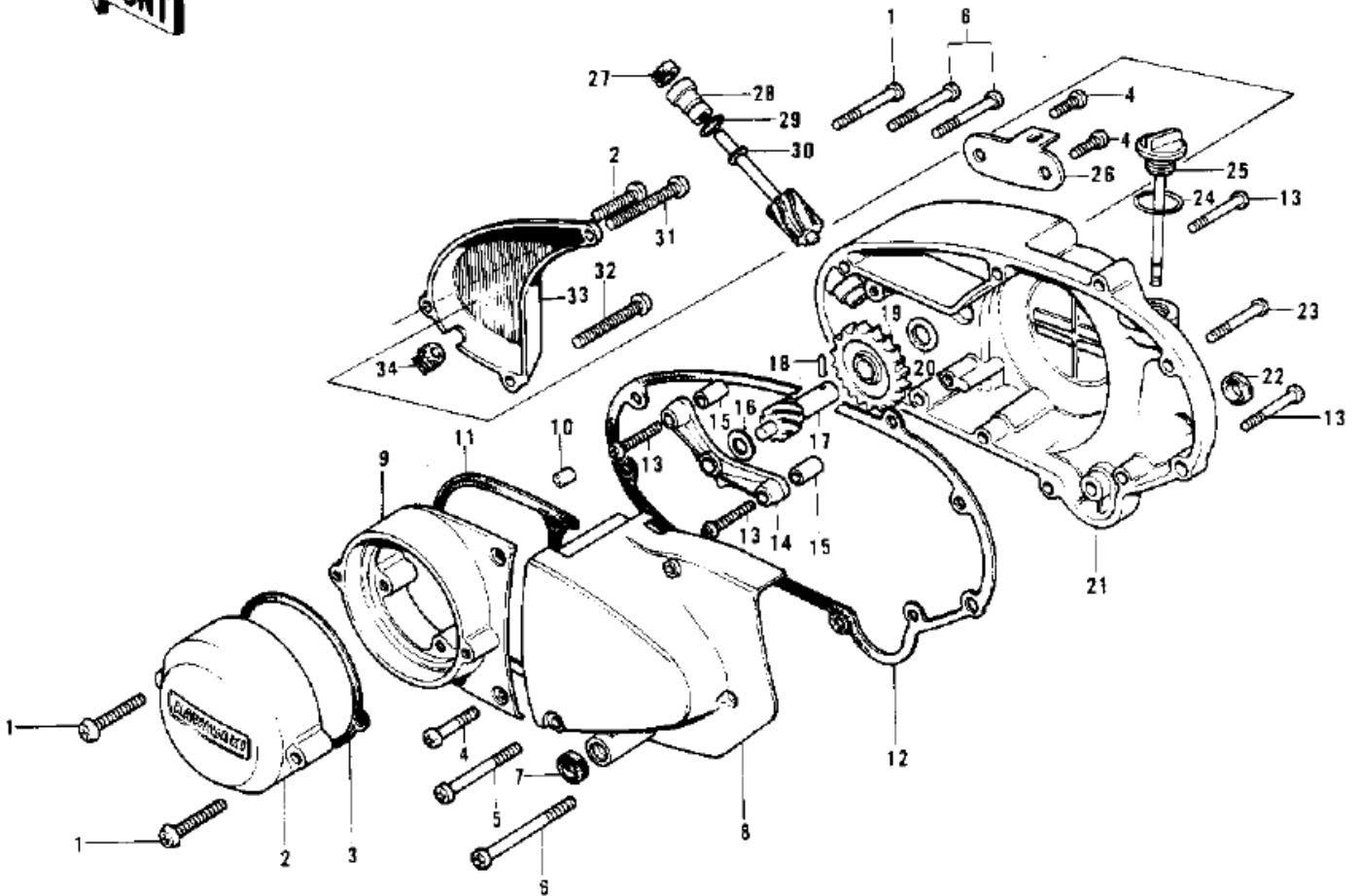
# 8- CYLINDER HEADS/CYLINDERS



### 8- CYLINDER HEADS/CYLINDERS

Ref n°	Part n°	Description	Qty	Spec Code
1	92015-020	NUT 8MM	12	
2	461F1200	WASHER SPRING 12MM	12	
3	11001-086-2H	CYLINDER HEAD,L.H&R.H	2	
4	11001-087-2H	CYLINDER HEAD,CENTER	1	
5	11004-061	GASKET,CYLINDER HEAD	3	
6	11005-125-2H	CYLINDER,L.H,BARREL	1	
7	11005-126-2H	CYLINDER,CNTR,BARREL	1	
8	11005-127-2H	CYLINDER,R.H,BARREL	1	
9	11009-036	GASKET,CYLINDER BASE	3	
10	172G0820	STUD 8X20	6	
11	16062-014	GASKET-AIR INLET	6	
12	16061-012	INSULATOR-HEAT	3	
13	16060-012	INLET-AIR	3	
14	461F0800	WASHER SPRING 8MM	6	
15	311B0800	NUT,8MM	6	
16	92004-1009	STUD.8X35	6	
17	18067-008	GASKET EXHAUST PIPE	3	
18	92022-072	WASHER PLAIN 12MM	12	

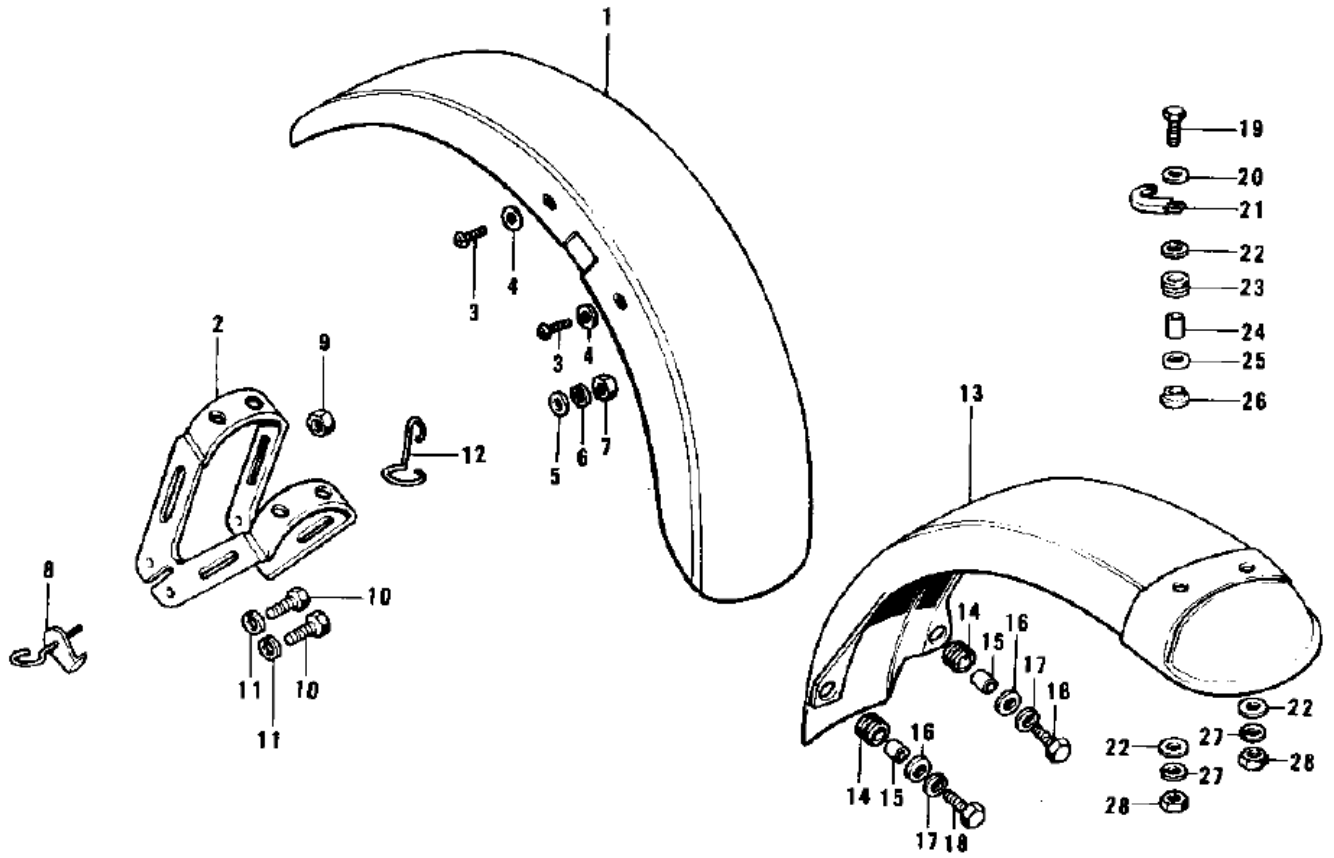
# 9- ENGINE COVERS



## 9- ENGINE COVERS

Ref n°	Part n°	Description	Qty	Spec Code
1	220B0635	SCREW PAN HEAD 6X35	3	S3
1	220B0635	SCREW PAN HEAD 6X35	5	S3-A
2	14027-016-80	CAP,BREAKER POINT,BUFF	1	S3
2-1	14031-1030	COVER, GENERATOR,BUFF	1	S3-A
2-1	14031-1030	COVER, GENERATOR,BUFF	1	
3	14050-005	GASKET-POINT CAP	1	S3
3-1	14050-009	GASKET,POINT CAP	1	S3-A
4	220B0620	SCREW PAN HEAD 6X20	5	
5	220B0645	SCREW PAN HEAD 6X45	1	
6	220B0655	SCREW PAN HEAD 6X55	4	
7	92049-1249	SEAL-OIL	1	
8	14026-022-80	COVER,CHAIN CASE,BUFF	1	
9	14031-086-80	COVER,R.H ENGINE,BUFF	1	S3
9-1	14031-089-80	COVER,L.H ENG,BUFF	1	S3-A
10	92042-007	PIN-DOWEL	1	
11	14045-022	GASKET,L.H ENG COVER	1	
12	14046-019	GASKET-R.H ENGINE COV	1	
13	220B0630	SCREW PAN HEAD 6X30	6	
14	14018-005	HOLDER-TACHOMETER GR	1	
15	92042-007	PIN-DOWEL	2	
16	92026-026	WASHER THRUST	1	
17	13224-008	GEAR-TACHOMETER	1	
18	92042-035	PIN,DOWEL	1	
19	16085-017	GEAR-OIL PUMP	1	
20	92026-025	WASHER THRUST	1	
21	14032-1018	COVER,R.H,ENG. CLEAR	1	
22	92049-002	OIL SEAL SB16244	1	
23	220B0625	SCREW PAN HEAD 6X25	2	
24	670B2020	"0" RING,20MM	1	
25	16115-017	PLUG-OIL FILLER	1	
26	14044-006	HOLDER	1	
27	92054-004	OIL SEAL	1	
28	92028-075	BUSH	1	
29	92055-025	"0" RING	1	
30	13226-005	SHAFT-TACHOMETER GEAR	1	
31	220B0690	SCREW-PAN HEAD,6X90	1	
32	220B06100	SCREW PAN HEAD 6X100	1	
33	14030-030-80	COVER,OIL PUMP,BUFF	1	
34	14038-030	GROMMET-R.H ENG COVER	1	

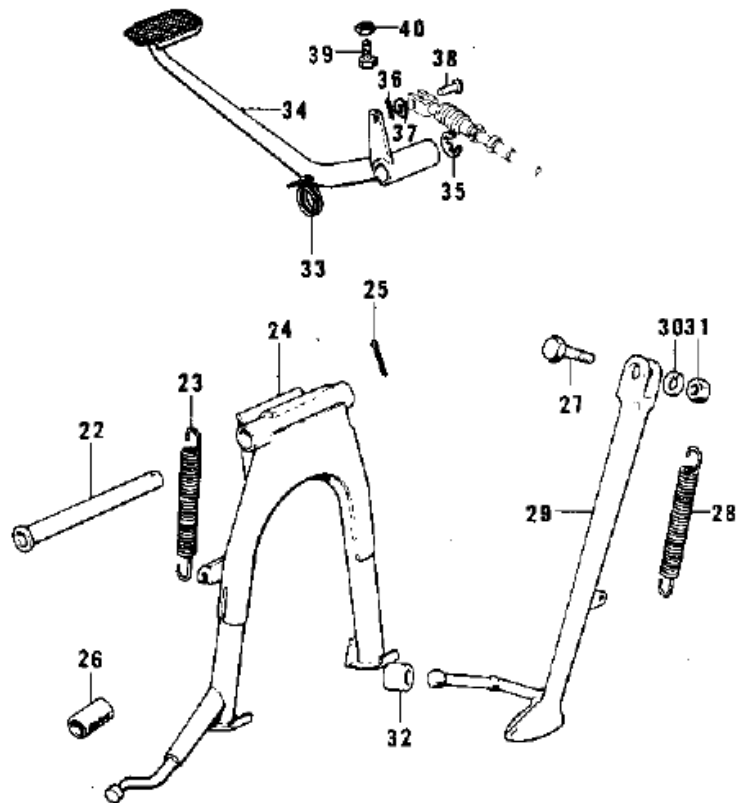
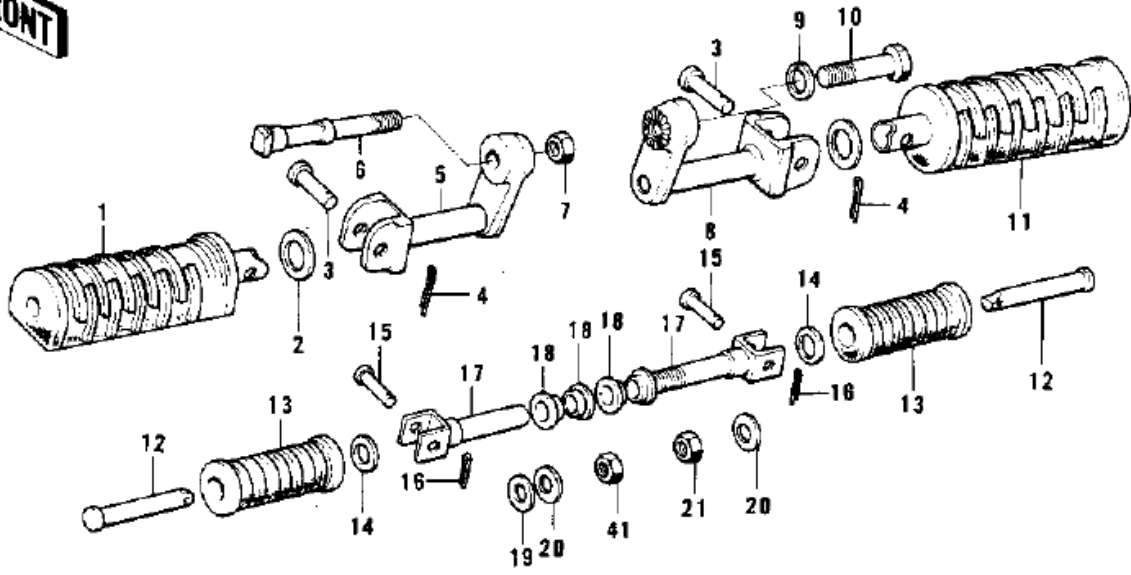
# 10- FENDERS



**10- FENDERS**

Ref n°	Part n°	Description	Qty	Spec Code
1	35004-084	FENDER-FR	1	
2	35009-028	BRACE,FRONT FENDER	1	
3	220E0614	SCREW PAN HEAD 6X14	4	
4	411D0600	WASHER-PLAIN,6MM	4	
5	411B0600	WASHER PLAIN 6MM	4	
6	461F0600	WASHER SPRING 6MM	4	
7	311B0600	NUT 6MM	4	
8	92037-097	CLAMP	1	
9	92019-014	NUT-LOCK,5MM	1	
10	115G0816	BOLT-SMALL-UPSET,8X16	4	
11	461F0800	WASHER SPRING 8MM	4	
12	92037-138	CLAMP,CABLE	1	
13	35022-099	FENDER-RR	1	
14	92075-105	DAMPER RUBBER	2	
15	92027-103	COLLAR	2	
16	92022-125	WASHER 6.5X20X1.6T	2	
17	461F0600	WASHER SPRING 6MM	2	
18	112G0616	BOLT-UPSET,6X16	2	
19	110N0636	BOLT HEX HEAD 6X36	2	
20	411B0600	WASHER PLAIN 6MM	1	
21	92037-113	CLAMP,HARNESS	1	
22	92022-228	WASHER,PLAIN,7MM	4	
23	92075-121	DAMPER RUBBER,RR FEND	2	
24	92027-162	COLLAR,REAR FENDER	2	
25	92022-227	WASHER,PLAIN,7MM	2	
26	92075-133	DAMPER RUBBER,RR FEND	2	
27	461F0600	WASHER SPRING 6MM	2	
28	311B0600	NUT 6MM	2	

# 11- FOOTRESTS/STANDS/BRAKE PEDAL

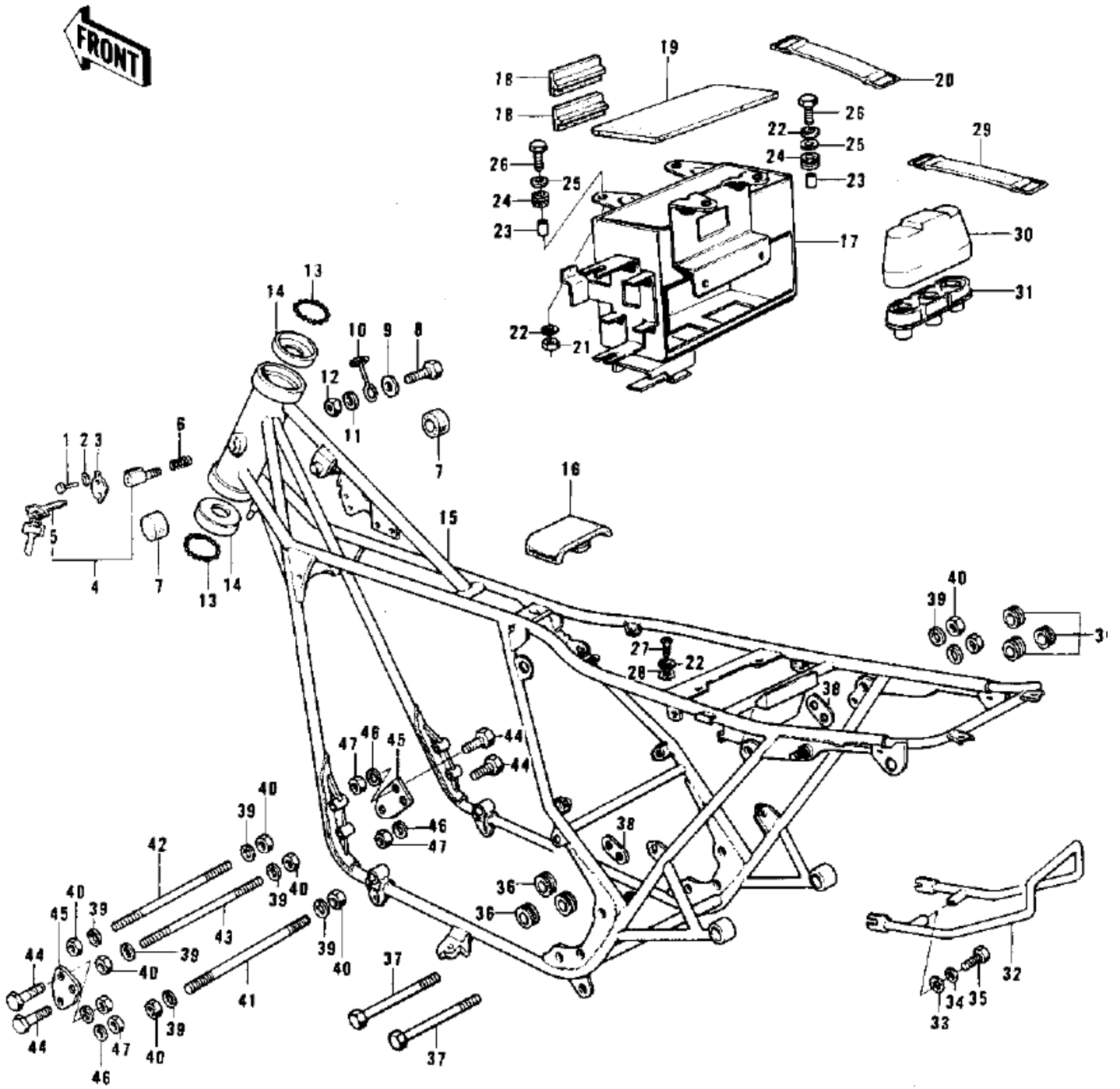


### 11- FOOTRESTS/STANDS/BRAKE PEDAL

Ref n°	Part n°	Description	Qty	Spec Code
1	34028-011	BAR-FOOTREST,L.H	1	
2	92022-204	WASHER PL 22.5X36X2.3	2	
3	92043-080	PIN-FOOTREST BAR FIT	2	
4	550D2515	PIN,COTTER,2.5X15	2	
5	34003-040	HOLDER-FOTREST BAR LH	1	
6	92003-076	BOLT-L.H FOOTREST FIT	1	
7	315B1200	NUT-HEX-FINE,12MM	1	
8	34003-041	HOLDER-FOTREST BAR RH	1	
9	461F1200	WASHER SPRING 12MM	1	
10	92001-1068	BOLT,R.H.FOOTREST FIT	1	
11	34028-012	BAR-FOOTREST.R.H	1	
12	34028-009	BAR-RR FOOTREST (OPT)	2	
13	92076-024	RUBBER,REAR FOOTREST	2	
14	92022-199	WASHER-PLAIN (OPT)	2	
15	92043-1464	PIN	2	
16	550D2012	PIN,COTTER,2.0X12	2	
17	34029-011	BRACKET,REAR FOOTREST	2	
18	92092-010	BUSHING,MUFFLER FITT	4	
19	92022-196	WASHER-HANDLEBAR FIT	1	
20	411B1000	WASHER PLAIN 10MM	2	
21	92019-021	NUT,LOCK,10MM	1	
22	34019-011	SHAFT MAIN STAND	1	
23	34023-010	SPRING-MAIN STAND	1	
24	34011-035	STAND-MAIN	1	
25	550D3025	PIN COTTER 3.0X25	1	
26	92075-115	DAMPER RUBB-MAIN STND	1	
27	92001-1252	BOLT,HEX HEAD 10X35	1	S3
27	92003-079	BOLT-SIDE STAND	1	S3-A
28	34023-005	SPRING MAIN STAND	1	
29	34024-051	STAND-SIDE	1	S3
29	34024-051	STAND-SIDE	1	S3-A
30	461F1000	WASHER SPRING 10MM	1	
31	314B1000	NUT,10MM	1	
32	92075-031	DAMPER RUBB SIDE STND	1	
33	43005-033	SPRING,BRAKE PEDAL	1	
34	43001-060	PEDAL,BRAKE	1	
35	482K0200	CIRCLIP 12MM	1	
36	550D2015	PIN COTTER 2.0X15	1	
37	410B0600	WASHER PLAIN 6MM	1	
38	92043-034	PIN R BRK CABLE JOINT	1	
39	112B0622	BOLT 6X22	1	
40	311B0600	NUT 6MM	1	
41	92019-021	NUT,LOCK,10MM	1	S3
41	92015-1429	NUT,10MM	1	S3-A



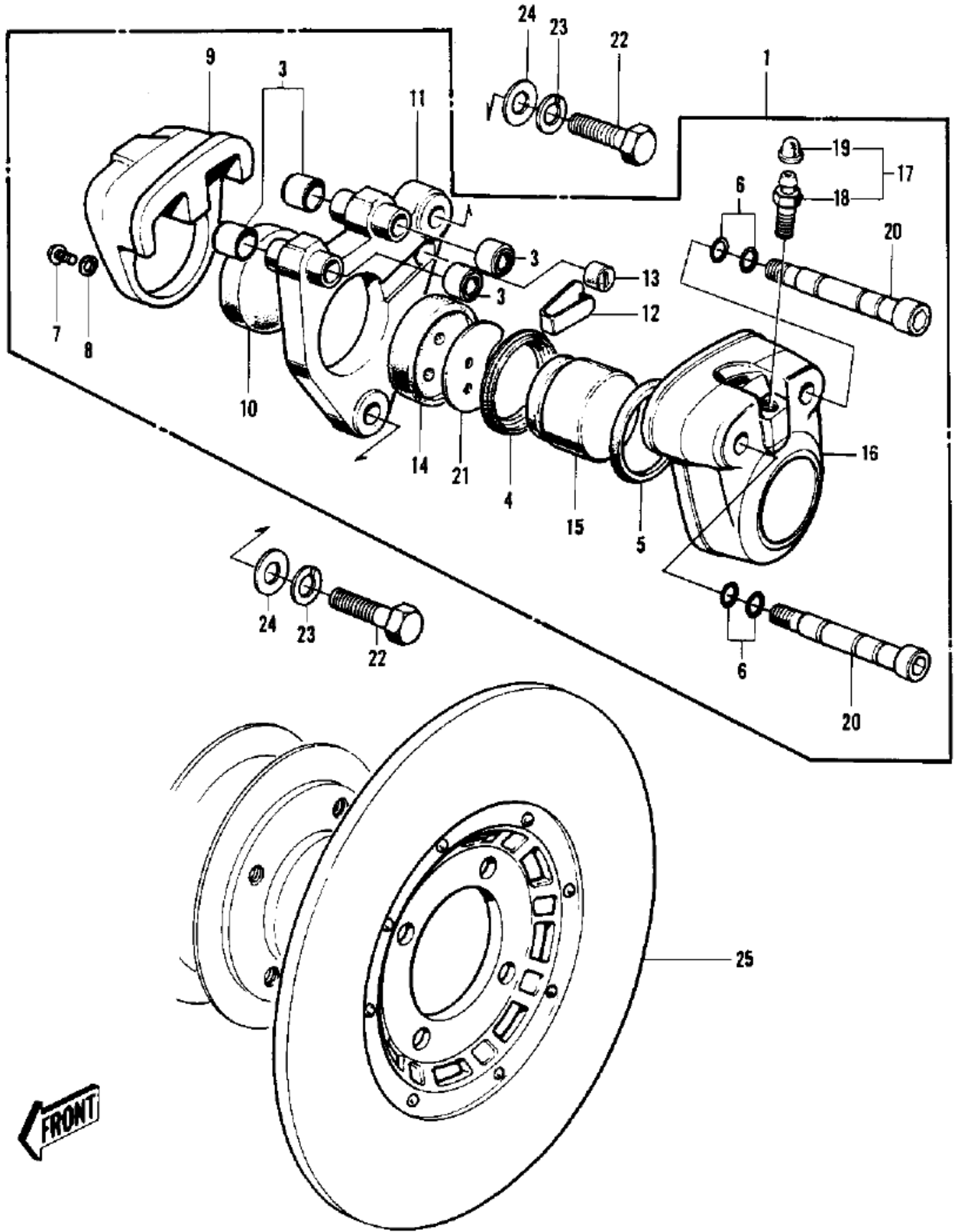
# 12- FRAME/FRAME FITTINGS



**12- FRAME/FRAME FITTINGS**

Ref n°	Part n°	Description	Qty	Spec Code
1	92008-007	SCREW-TAPPING	1	
2	92097-003	WASHER	1	
3	11012-1134	CAP,STEERING LOCK	1	
4	27016-038	LOCK ASSY,STEERING	1	
5	27008-055-01	KEY SET,#901	AR	
5	27008-055-10	KEY SET,#910	AR	
6	27032-001	SPRING-STEERING LOCK	1	
7	92075-101	DAMPER RUBBER-FL TANK	2	
8	110N0816	BOLT HEX HEAD 8X16	1	
9	410D0800	WASHER PLAIN 8MM	1	
10	92037-139	CLAMP,CABLE	1	
11	461F0800	WASHER SPRING 8MM	1	
12	311B0800	NUT,8MM	1	
13	600A0800	BALL STEEL 1/4'	38	
14	92048-006	RACE STRNG STEM BERNG	2	
15	32002-129	FRAME	1	
16	92075-214	DAMPER RUBBER,FL TANK	1	
17	32097-031	CASE,BATTERY	1	
18	32103-003	SEAT RECTIFIER RUBBER	2	
19	32103-006	MAT BATTERY	1	
20	92072-045	BAND,OIL TANK	1	
21	311B0600	NUT 6MM	2	
22	461F0600	WASHER SPRING 6MM	5	
23	92027-129	COLLAR,6.8X10X8.5	4	
24	92075-076	DAMPER RUBBER	4	
25	92022-125	WASHER 6.5X20X1.6T	4	
26	112B0622	BOLT 6X22	4	
27	220B0614	SCREW PAN HEAD 6X14	1	
28	464H0600	WASHER LOCK 6MM	2	
29	92072-053	BAND-SPARK PLUG COVER	1	
30	32132-003	COVER-SPARK PLUG	1	
31	32132-002	HOLDER-SPARK PLUG COV	1	
32	35032-028	STAY,REAR FENDER	1	
33	411B0800	WASHER PLAIN 8MM	2	
34	461F0800	WASHER SPRING 8MM	2	
35	115G0820	BOLT,8X20	2	
36	92071-056	GROMMET	6	
37	92001-1602	BOLT, FLANGED, 10X110	2	
38	32030-023	PLATE-ENGINE MOUNT	2	
39	461F1000	WASHER SPRING 10MM	8	
40	314B1000	NUT,10MM	8	
41	92003-182	BOLT,10X237	1	
42	92003-181	BOLT,10X225	1	
43	92003-209	BOLT,10X252	1	
44	92001-1182	BOLT,10X45	4	
44	92001-1581	BOLT,FLANGED,8X60	4	
45	32030-030	PLATE,ENGINE MOUNT,FR	2	
46	461F0800	WASHER SPRING 8MM	4	
47	311B0800	NUT,8MM	4	

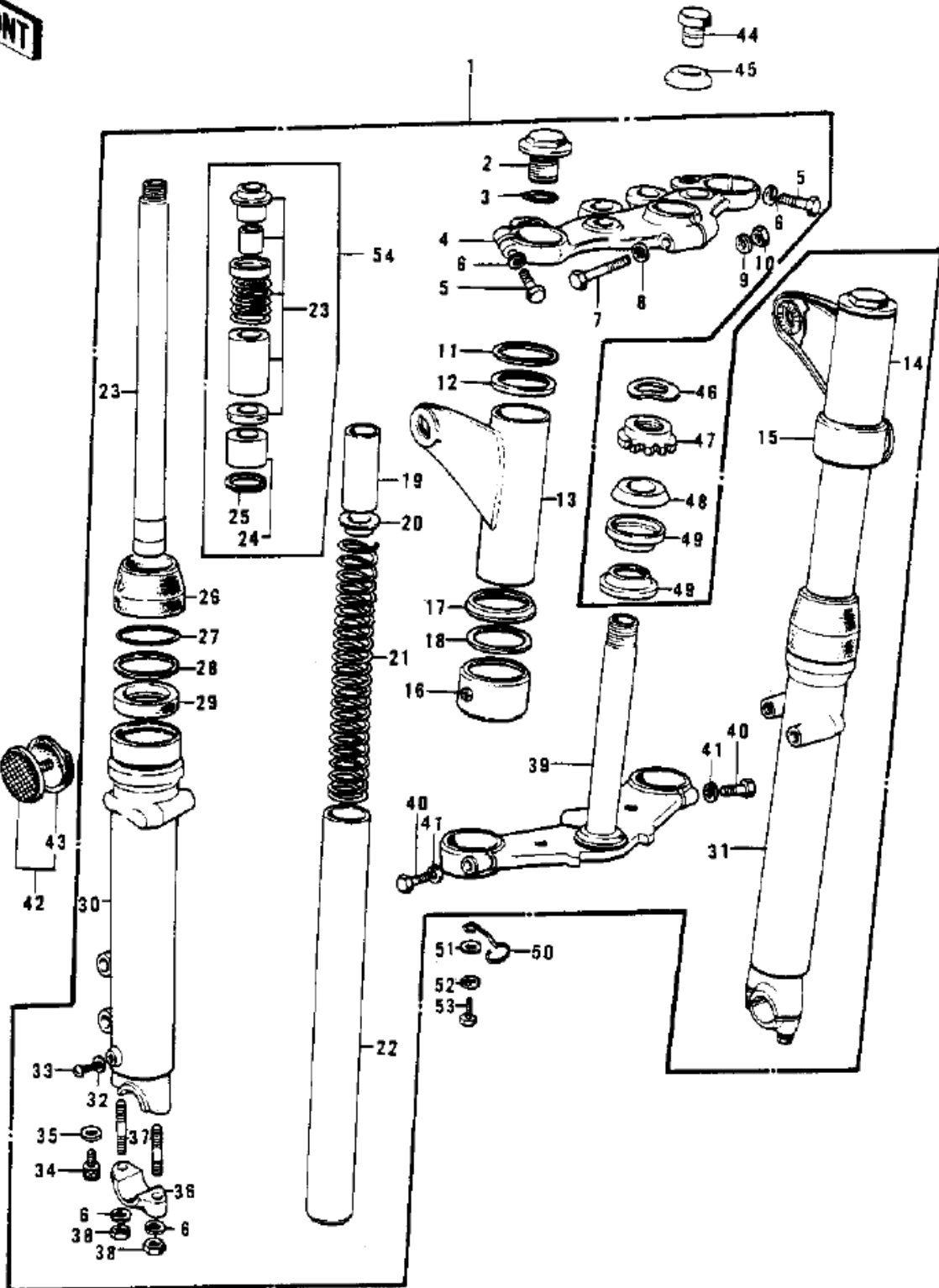
13- FRONT BRAKE



**13- FRONT BRAKE**

Ref n°	Part n°	Description	Qty	Spec Code
1	43041-003	CALIPER ASSY	1	S3
1	43041-007	CALIPER ASSY.	1	S3-A
2	43073-003	REPAIR SET,CALLIPER	1	INCL. REF. 3-6
3	43052-002	DUST SEAL-SHAFT	4	
4	43054-002	DUST SEAL-PISTON	1	
5	43049-001	RING-PISTON	1	
6	43053-001	"O" RING,SHAFT	4	
7	220B0612	SCREW PAN HEAD 6X12	1	
8	461F0600	WASHER SPRING 6MM	1	
9	43043-002	CALIPER B	1	
10	43051-001	PAD B	1	
11	43044-003	HOLDER-CALIPER	1	
12	43046-001	STOPPER-PAD A	1	
13	43047-001	BUSHING-RUBBER	1	
14	43082-001	PAD A	1	
15	43048-001	PISTON-CALIPER	1	
16	43042-003	CALIPER A	1	
17	43085-001	BLEEDER SET	1	
18	43056-003	BREEDER	1	
19	43057-003	CAP,BREEDER	1	
20	43045-002	SHAFT	2	
21	43076-001	SHIM	1	
22	92007-032	BOLT	2	
23	461F1000	WASHER,SPRING.10MM	2	
24	410B1000	WASHER,PLAIN SMALL.10MM	2	
25	41080-006	DISC PLATE,FRONT BRAK	1	

# 14- FRONT FORK



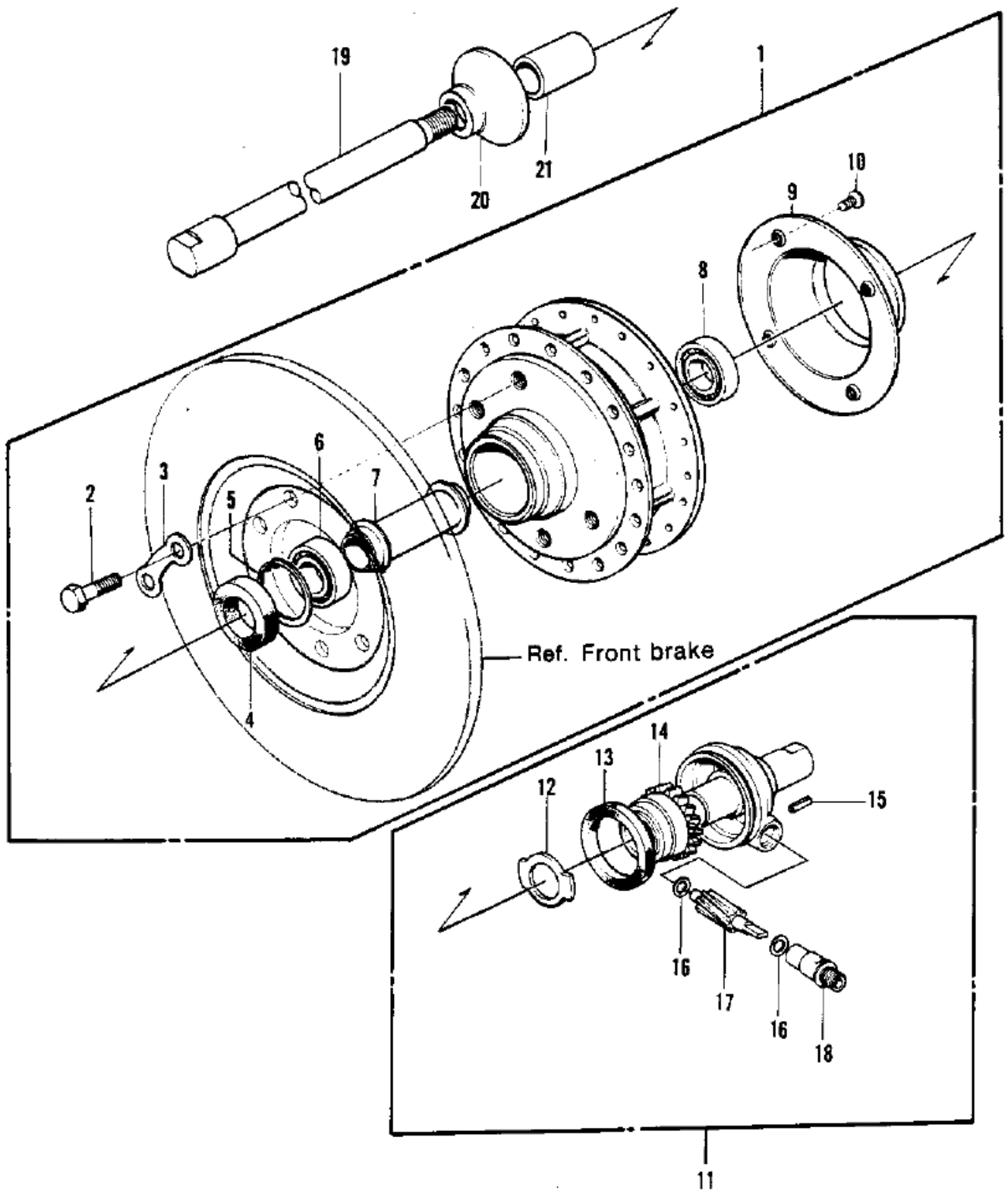
### 14- FRONT FORK (1/2)

Ref n°	Part n°	Description	Qty	Spec Code
1	44001-144	FORK-FRONT	1	S3
1	44001-144	FORK-FRONT	1	S3 & S3-A
2	44041-037	BOLT-FORK FITTING	2	
3	92055-1012	"O" RING,FORK TOP	2	
4	44039-051	HEAD-STEERING STEM	1	
5	44041-044	BOLT-STEERING STEM HD	2	
6	461F0800	WASHER SPRING 8MM	6	
7	44041-042	BOLT-STEERING STEM HD	1	
8	463H0800	WASHER LOCK 8MM	1	
9	410B0800	WASHER PLAIN 8MM	1	
10	92015-1124	NUT,LOCK,8MM	1	
11	44045-039	GASKET,FORK COVER	2	
12	44043-047	WASHER,FORK COVER	2	
13	44033-053-21	COVER-L.H FORK,BLACK	1	
13	44033-067	COTER,L.H FORK	1	
14	44034-053-21	COVER-R.H FORK,BLACK	1	
14	44034-067	COVER,R.H FORK	1	
15	44064-009	GUIDE-FORK COVER,R.H	1	
16	44064-010	GUIDE-FORK COVER,L.H	1	
17	44032-005	CAP,FORK COVER	2	
18	44045-029	GASKET FORK COVER	2	
19	44028-026	SPACER-FORK SP GUIDE	2	
20	44029-019	GUIDE-FORK SPRING	2	
21	44026-043	SPRING-FORK	2	
22	44013-038	TUBE-FORK INNER	2	
23	44023-005	CYLINDER-FORK	2	NO LONGER AVAILABLE
23	44022-026	CYLINDER-FORK	2	
23	44023-005	CYLINDER-FORK	2	
24	44018-001	PISTON FORK	2	
24	44018-009	PISTON,FORK	2	USE FOR 44023-005
25	44044-008	CIRCLIP FORK PISTON	2	
25	44044-019	CIRCLIP,FORK PISTON	2	USE FOR 44023-005
26	44010-019	DUST SHIELD-FORK	2	
27	44044-005	CIRCLIP OIL SEAL FIT	2	
28	44043-023	WASHER OIL SEAL FIT	2	
29	44009-020	OIL SEAL,FORK	2	
30	44005-046	TUBE,LH,FORK OUTER	1	
31	44006-044	TUBE,RH,FORK OUTER	1	
32	44045-002	GASKET FORK DRAIN PLG	2	
33	220B0408	SCREW PAN HEAD 4X8	2	
34	44041-040	BOLT-FORK CYLINDER	2	
35	44045-057	GASKET,FORK CYLINDER	2	
36	44063-006	HOLDER-FRONT AXLE	2	
37	172G0830	STUD 8X30	4	
38	311B0800	NUT,8MM	4	
39	44037-058	STEM-STEERING	1	
40	113B1032	BOLT HEX HEAD 10X32	2	
41	461F1000	WASHER SPRING 10MM	2	
42	28001-029	REFLECTOR,REFLEX,FRNT	2	S3
42	28001-029	REFLECTOR,REFLEX,FRNT	2	S3-A
43	28016-002	DAMPER RUBBER-REFLEX	2	
44	92007-031	BOLT,STEERG STEM HEAD	1	

**14- FRONT FORK (2/2)**

<b>Ref n°</b>	<b>Part n°</b>	<b>Description</b>	<b>Qty</b>	<b>Spec Code</b>
45	92022-230	WASHER,STEERG STM HD	1	
46	46100-003	WASHER,WAVE	1	
47	92090-007	NUT STEERING STEM LCK	1	
48	46098-016	CAP, STEERING STEM	1	
49	92047-006	CONE STRNG STEM BERNG	2	
50	92037-099	CLAMP-CABLE	1	
51	410B0600	WASHER PLAIN 6MM	1	
52	461F0600	WASHER SPRING 6MM	1	
53	112G0610	BOLT.6X10	1	
54	44023-005	CYLINDER-FORK	2	

# 15- FRONT HUB

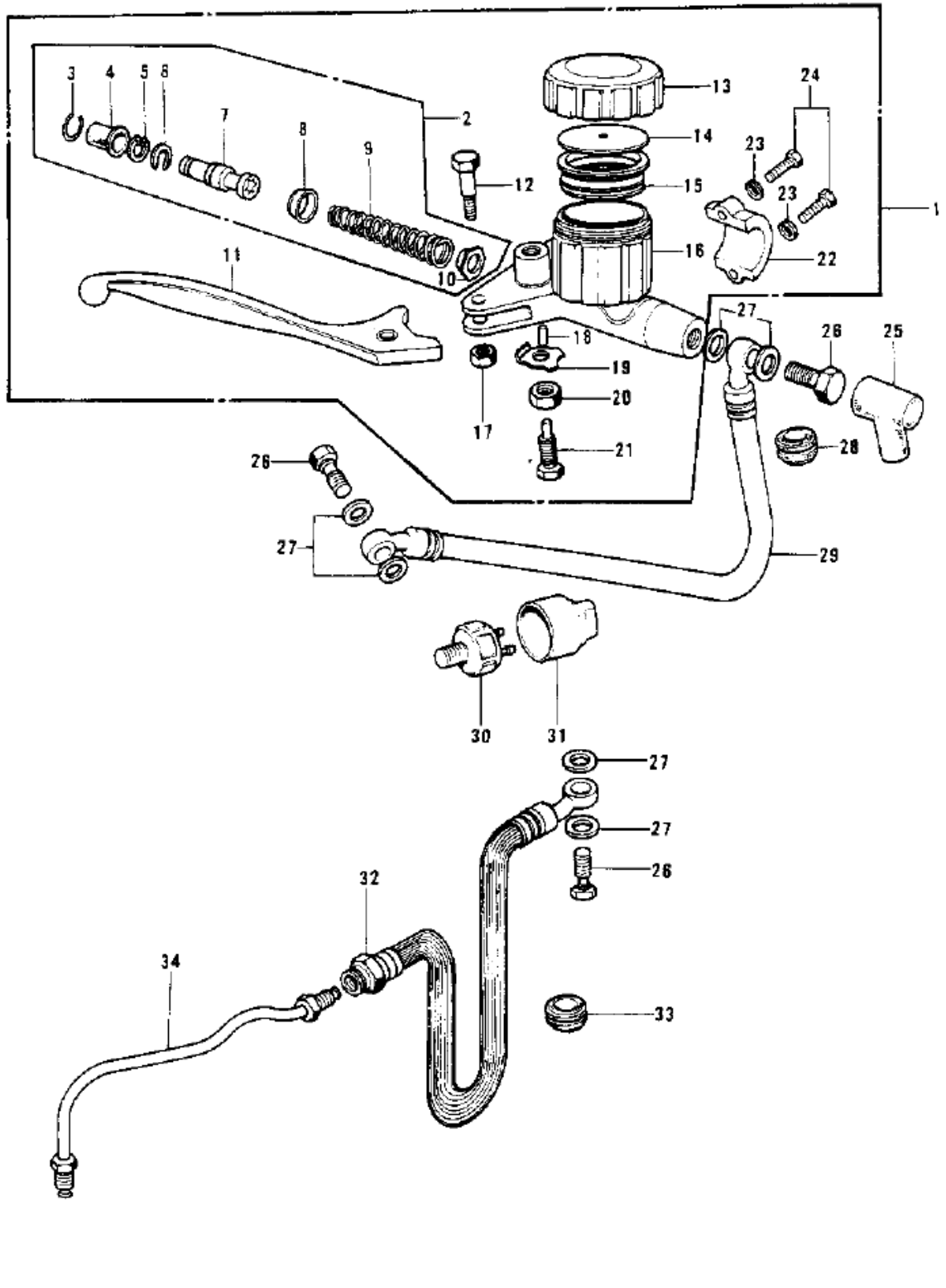




**15- FRONT HUB**

Ref n°	Part n°	Description	Qty	Spec Code
1	41034-024	DRUM-ASSY,FR BRK	1	
2	92001-104	BOLT-HEX HEAD,8X28	4	
3	92088-016	WASHER-LOCK	2	
4	92052-005	OIL SEAL WTC25428	1	
5	92033-1041	CIRCLIP,42MM	1	
6	601B6302	BEARING BALL #6302	1	
7	41039-021	SPACER-FR AXLE BRG	1	
8	601B6302Z	BEARING BALL #6302Z	1	
9	41042-011	DUST COVER	1	
10	222E0408A	SCREW OVL CNTSNK 4X8	4	
11	41078-004	GEAR BOX ASSY	1	
12	41064-1005	RECEIVER,SPEED GEAR	1	
13	92050-049	OIL SEAL	1	
14	41059-020	GEAR,SPEEDOMETER	1	
15	41082-001	PIN,SPRING	1	
16	41063-001	WASHER THRST SPD PINI	2	
17	41060-013	PINION-SPEEDOMETER	1	
18	41062-005	BUSH,SPEEDMETER CABLE	1	
19	41068-038	AXLE-FRONT	1	
20	41042-012	DUST COVER-FRONT AXLE	1	
21	41069-020	COLLAR-FRONT AXLE	1	

# 16- FRONT MASTER CYLINDER

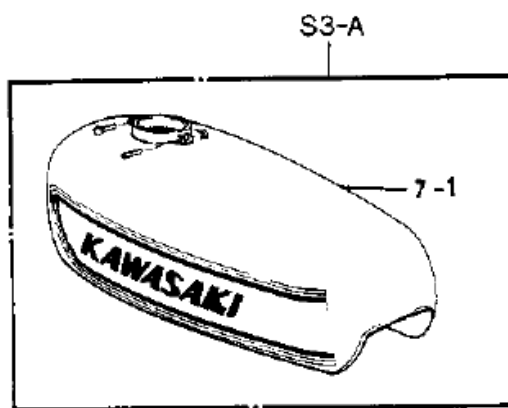
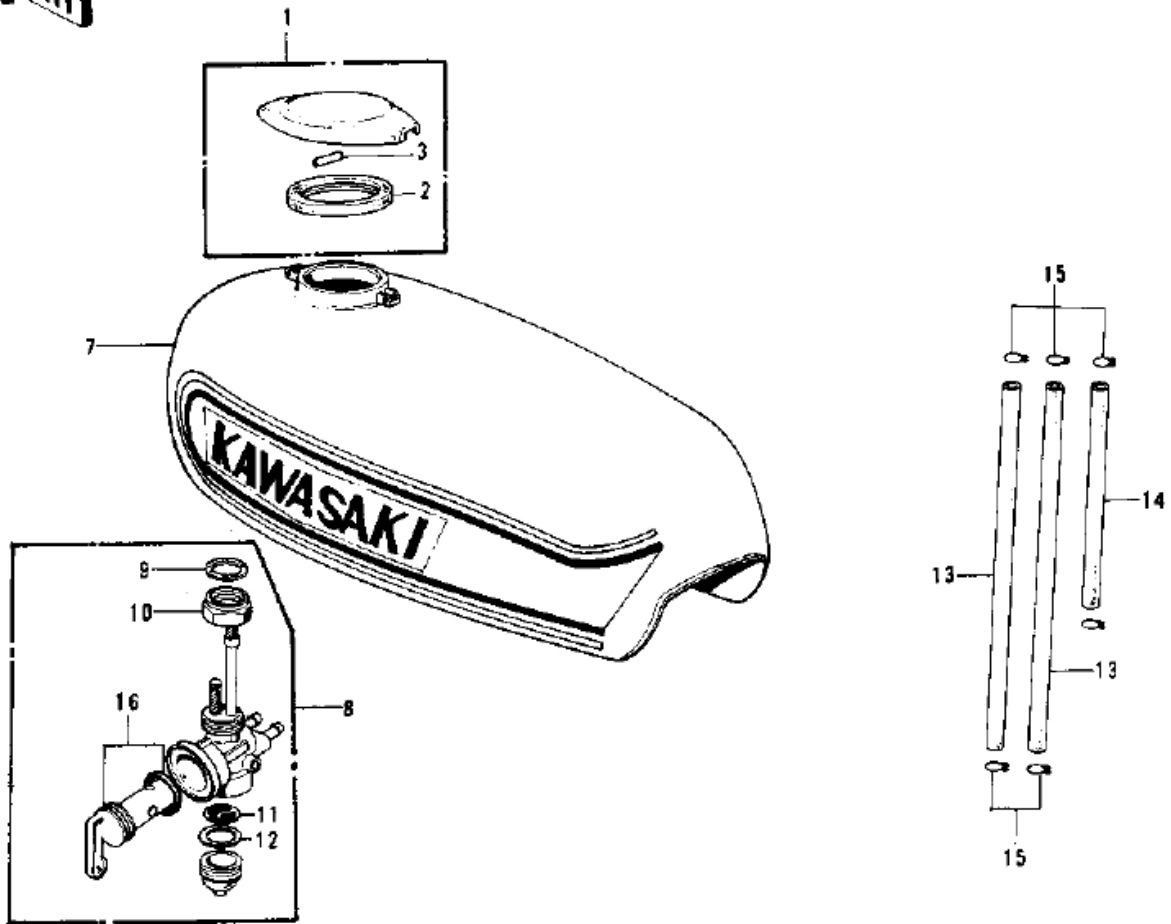


**16- FRONT MASTER CYLINDER**

Ref n°	Part n°	Description	Qty	Spec Code
1	43015-032	CYLINDER ASSY,MASTER	1	
2	43073-001	REPAIR SET-MASTER CYL	1	
3	43025-001	STOPPER-BOOTS	1	
4	43024-001	BOOTS	1	
5	481J1800	CIRCLIP,18MM	1	
6	43022-001	STOPPER-PISTON	1	
7	43072-001	PISTON ASSY	1	
8	43019-001	CUP-PRIMARY	1	
9	43018-001	SPRING ASSY-RETURN	1	
10	43017-001	VALVE ASSY-CHECK	1	
11	43029-003	LEVER,FRONT BRAKE	1	
12	43033-001	BOLT-LEVER FITTING	1	
13	43026-003	CAP,OIL CUP	1	
14	43027-001	PLATE-MASTER CYLINDER	1	
15	43028-002	UNAVAILABLE IN PRICE BOOK	1	
16	43016-002	BODY, MASTER CYLINDER	1	
17	312N0600	NUT,6MM	1	
18	43074-001	TUBE	1	NOT REQ'D 43015-032
19	43031-001	WASHER-LOCK,8MM	1	
20	314N0800	NUT,8MM	1	
21	43030-002	BOLT-LEVER ADJUST	1	USE FOR 43015-010
21	43030-003	BOLT,LEVER ADJUSTING	1	USE FOR 43015-032
22	43034-001	HOLDER-MASTER CYL	1	
23	411B0600	WASHER PLAIN 6MM	2	
24	110N0625	BOLT HEX HEAD 6X25	2	
25	49006-1041	BOOT,DUST	1	
26	92002-1888	BOLT,OIL,L=23	3	
27	43067-001	WASHER-OIL BOLT	6	
28	43064-005	DAMPER RUBBER	1	
29	43059-006	HOSE-FRONT BRAKE	1	
30	43065-001	SWITCH-FRONT BRAKE	1	
31	92073-027	RUBBER CAP,FRNT BRKE	1	
32	43059-008	HOSE-FRONT BRAKE	1	
33	43064-001	GROMMET-HOSE BRACKET	1	
34	43060-003	PIPE-BRIDGE	1	

# 17- FUEL TANK

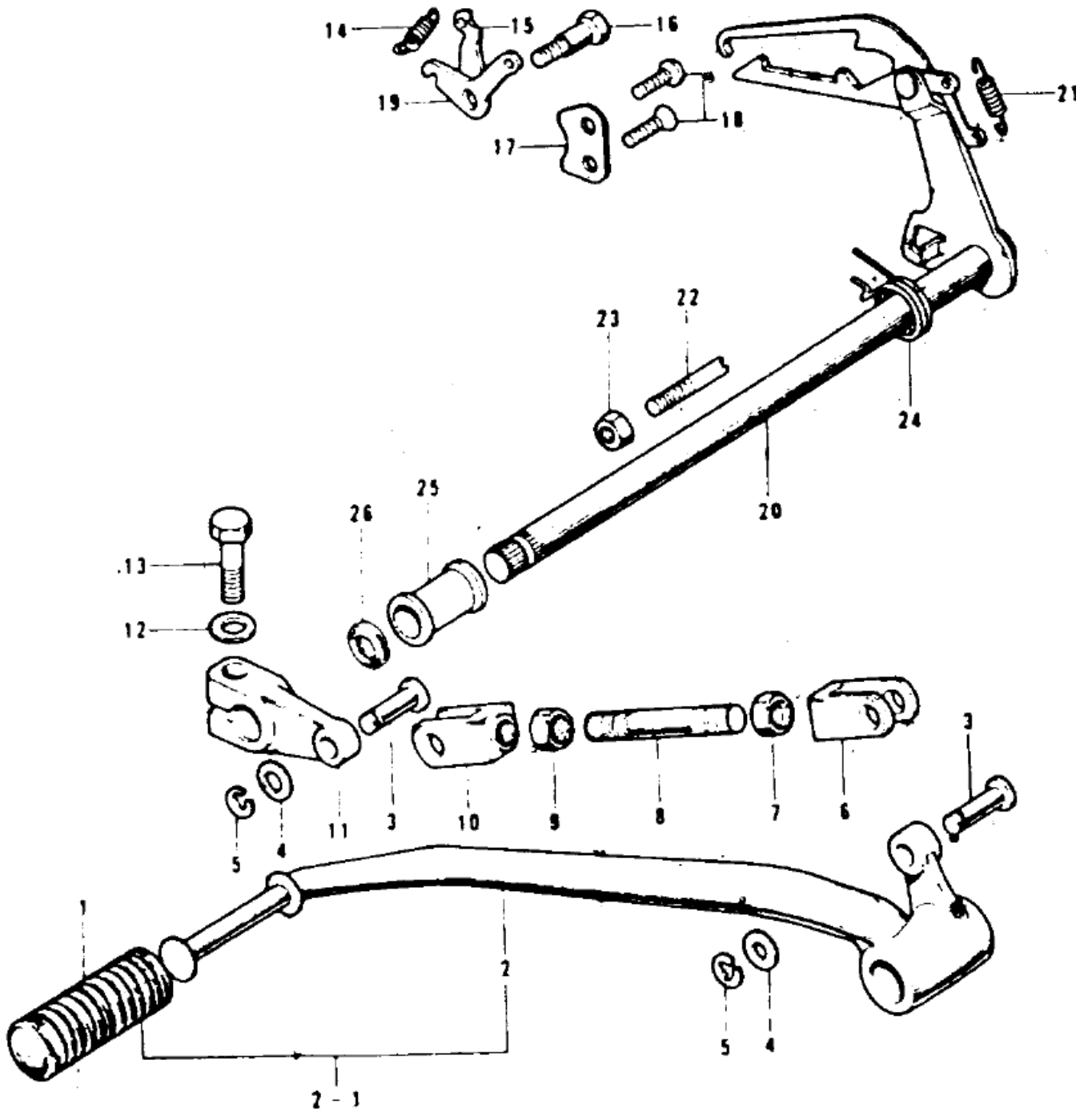
FRONT



**17- FUEL TANK**

<b>Ref n°</b>	<b>Part n°</b>	<b>Description</b>	<b>Qty</b>	<b>Spec Code</b>
1	51048-007	CAP ASSY,FUEL TANK	1	
2	51059-008	GASKET-FUEL TANK CAP	1	
3	92043-096	PIN,TANK CAP FIT	2	
4	51053-003	SPRING-HOOK	1	
5	51063-002	HOOK,FUEL TANK CAP	1	
6	92043-091	PIN,TANK CAP	1	
7	51001-089-2A	TANK-FUEL,C.RED	1	S3
7	51001-089-2B	TANK-FUEL,C.BLUE	1	S3
7-1	51001-089-2V	TANK-FUEL,C.SUPER RED	1	S3-A
7-1	51001-089-2Y	TANK-FUEL,C.GREEN	1	S3-A
8	51023-039	COCK ASSY,FUEL	1	
10	51035-009	FUEL COCK JOINT NUT	1	
11	51038-007	STRAINER FUEL	1	
12	51037-010	GASKET FUEL COCK CUP	1	
13	92059-073	PIPE-FUEL	2	
14	92059-073	PIPE-FUEL	1	
15	92037-010	CLAMP FUEL PIPE	6	
16	51030-001	FUEL COCK LEVER SET	1	USE FOR 51023-026

18- GEAR CHANGE MECHANISM

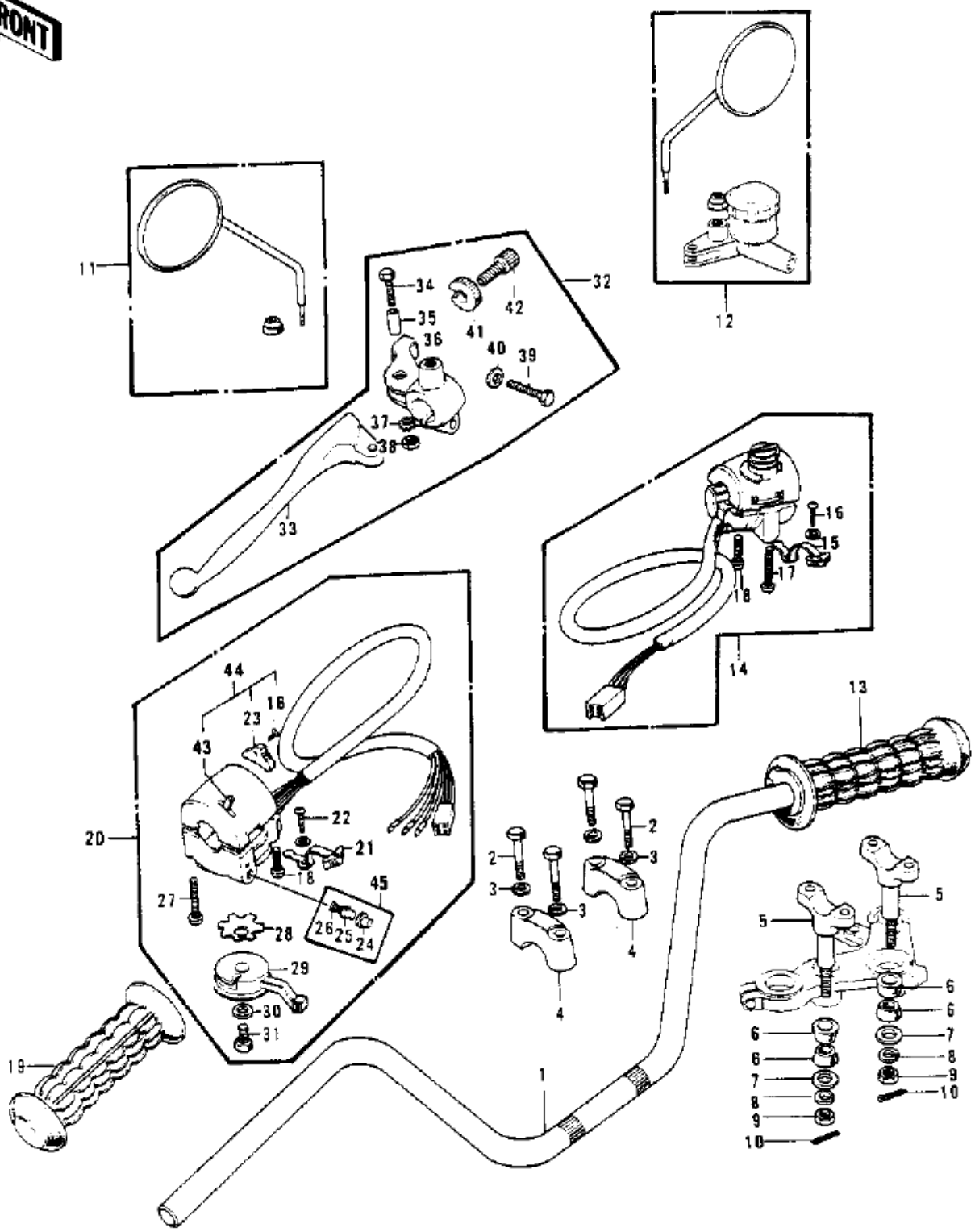


**18- GEAR CHANGE MECHANISM**

Ref n°	Part n°	Description	Qty	Spec Code
1	13157-004	RUBBER CHANGE PEDAL	1	
2	13242-009	PEDAL ASY,GEAR CHANGE	1	
2-1	13242-009	PEDAL ASY,GEAR CHANGE	1	
3	92043-069	PIN	2	
4	92022-1028	WASHER,PLAIN	2	
5	482K5000	CIRCLIP 5MM	2	
6	13159-008	CONNECTOR,B	1	
7	92017-010	NUT,8MM	1	
8	92003-074	ROD	1	
9	318N0800	NUT,8MM	1	
10	13159-007	CONNECTOR,A	1	
11	13158-007	LEVER-GEAR CHANGE	1	
12	461F0800	WASHER SPRING 8MM	1	
13	114N0825	BOLT,8X25	1	
14	92081-091	SPRING-COIL	1	
15	13170-005	PLATE-CHNG DRUM LEVER	1	
16	92011-023	SCREW-PAN HEAD	1	
17	13169-007	PLATE-DRUM LEV POSTON	1	
18	221B0616	SCREW CNTSNK HD 6X16	2	
19	13236-002	LEVER ASSY-CHNG RETRN	1	
20	13161-036	LEVER ASSY GEAR CHNG	1	
21	92144-1720	SPRING.CHANGE LEVER	1	
22	92001-1401	BOLT.RETURN SPRING	1	
23	312B0800	NUT 8MM	1	
24	92081-1129	SPRING.TENTION	1	
25	13171-004	DUST SHIELD-CHNG SHT	1	
26	92049-1249	SEAL-OIL	1	

# 19- HANDLEBAR

FRONT

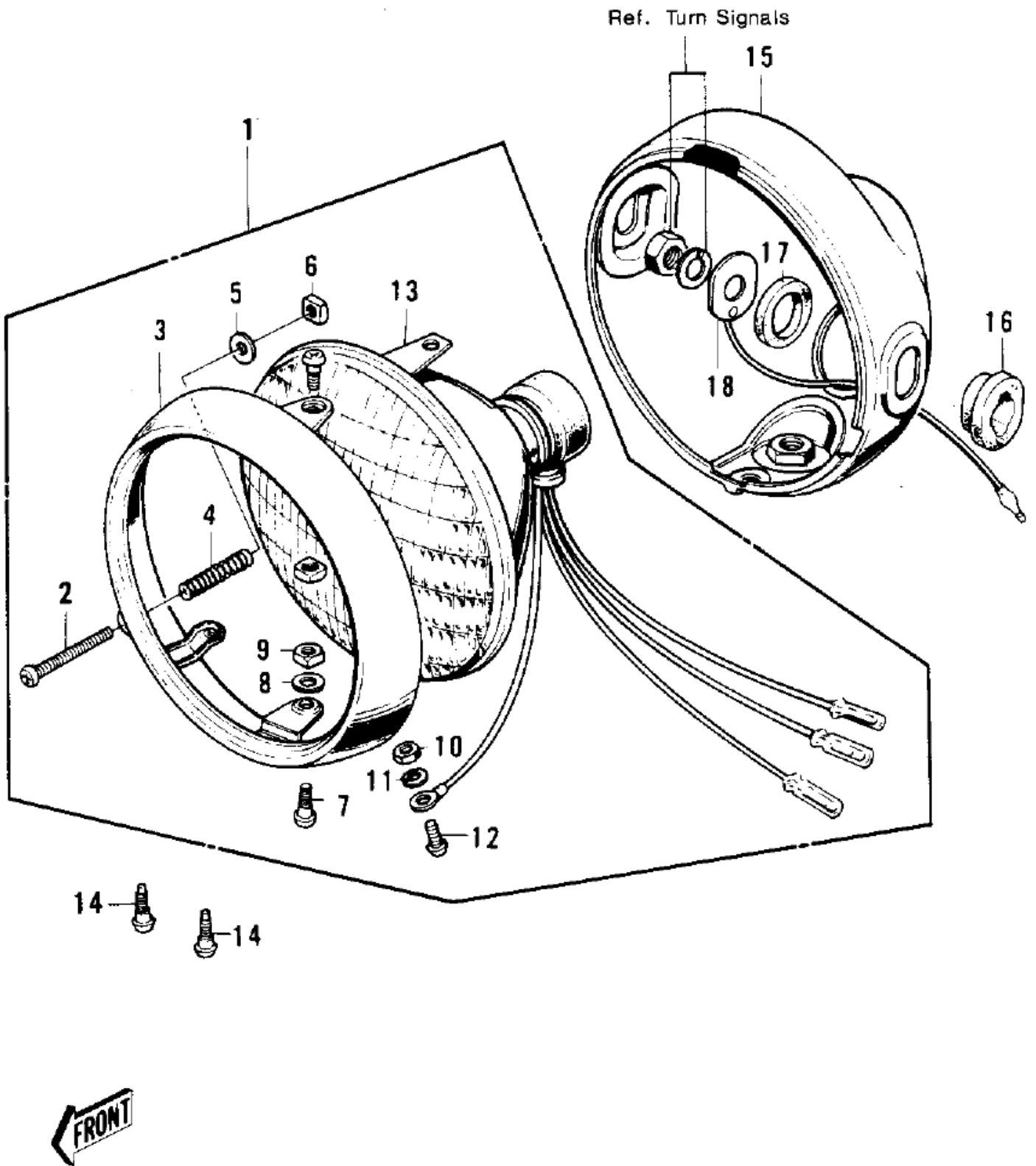




## 19- HANDLEBAR

Ref n°	Part n°	Description	Qty	Spec Code
1	46003-030	HANDLEBAR	1	
2	92001-1405	BOLT 8X38	4	
3	461F0800	WASHER SPRING 8MM	4	
4	46012-008	HOLDER-HANDLEBAR	2	
5	46012-010	HOLDER-HANDLEBAR LOW	2	
6	92075-039	DAMPER RUBBER HANDLE	4	
7	46016-003	CAP HANDLEBAR HOLDER	2	
8	461F1000	WASHER SPRING 10MM	2	
9	314B1000	NUT.10MM	2	
10	554A0800	PIN,SNAP	2	
11	56003-009	REAR VIEW MIRROR,L.H	1	
12	56002-020	REAR VIEW MIRROR,R.H	1	OPTION
13	46019-023	GRIP ASSY-THROTTLE	1	
14	46132-007	CASE ASSY,R.H	1	S3
14	46132-017	CASE ASSY,R.H	1	S3-A
15	46043-006	KNOB,LIGHING SWITCH	1	
16	220B0305A	SCREW PAN HEAD 3X5	2	
17	220B0535	SCREW-PAN-CROS	1	
18	220B0522	SCREW PAN HEAD 5X22	2	
19	46075-017	RUBBER-L.H GRIP	1	
20	46091-014	CASE ASSY,L.H	1	S3
20	46091-047	CASE ASSY,L.H	1	S3-A
21	46043-005	KNOB,LIGHTING SW L.H	1	
22	221B0308A	SCREW CNTSNK HD 3X8	1	
23	46044-013	KNOB,LIGHTING SW L.H	1	
24	27010-1009	SWITCH ASSY,HORN BUTN	1	NO LONGER AVAILABL E USE 27010-
25	27010-1009	SWITCH ASSY,HORN BUTN	1	NO LONGER AVAILABL E USE 27010-
26	27010-1009	SWITCH ASSY,HORN BUTN	1	NO LONGER AVAILABL E USE 27010-
27	220B0530	SCREW PAN HEAD 5X30	1	
28	92095-012	WASHER LOCK	1	
29	46096-009	LEVER,STARTER	1	
30	410B0600	WASHER PLAIN 6MM	1	
31	112B0608	BOLT-UPSET,6X8	1	
32	46076-044	LEVER ASSY,CLUTCH	1	S3
32	46076-025	LEVER ASSY,CLUTCH	1	S3-A
33	46092-015	LEVER-CLUTCH	1	S3
33	46092-015	LEVER-CLUTCH	1	S3-A
34	92007-020	BOLT HEX HEAD 5X20	1	
35	46059-011	COLLAR LEVER	1	
36	46094-011-21	HOLDER-CLUTCH LEV,BLK	1	
37	464H0500	WASHER LOCK 5MM	1	
38	312B0500	NUT 5MM	1	
39	110N0625	BOLT HEX HEAD 6X25	1	
40	410B0600	WASHER PLAIN 6MM	1	
41	46056-005	NUT-LOCK	1	
42	46055-003	SCREW CABLE ADJUST	1	S3
42	46055-006	SCREW ADJUST	1	S3-A
43	46089-016	SWITCH ASSY,L.H	1	S3
43	46089-014	SWITCH,L.H	1	S3-A
44	99990-530	L.H GRIP SWITCH KIT	1	INCLUDES REF. #S 16,23,43
45	27010-1009	SWITCH ASSY,HORN BUTN	1	INCLUDES REF. #S 24-26

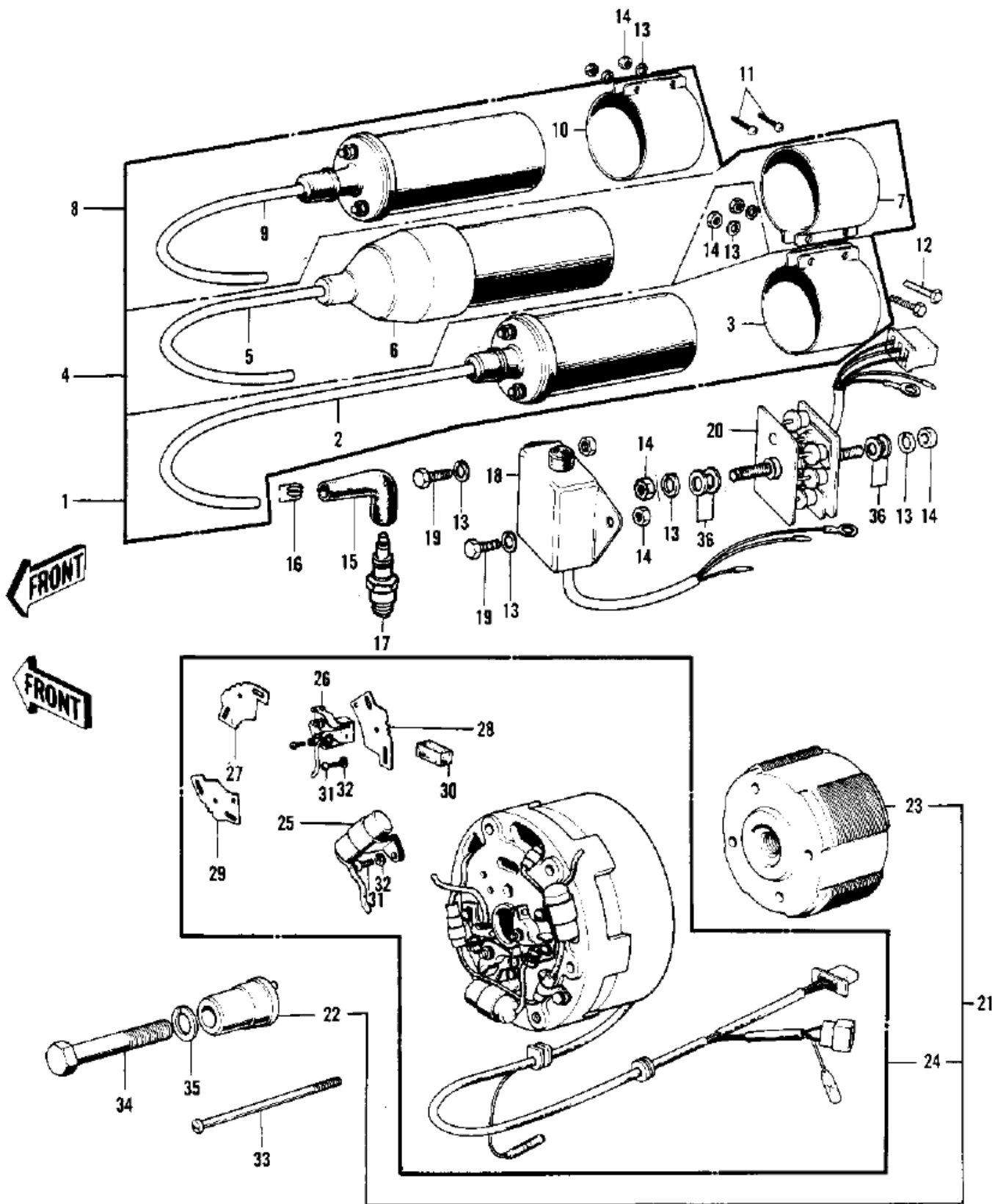
20- HEADLIGHT



**20- HEADLIGHT**

Ref n°	Part n°	Description	Qty	Spec Code
1	23003-018	LAMP UNIT-HEAD	1	
2	23019-021	SCREW FORCUS ADJUST	1	
3	23006-034	RIM-HEAD LAMP	1	
4	23014-005	SPRING FOCUS ADJUST	1	
5	23021-004	WASHER	1	
6	23020-018	NUT,4MM	1	
7	23019-023	SCREW-PAN HEAD,5X12	2	
8	23021-012	WASHER-PLAIN,5MM	2	
9	23020-023	NUT,HEAD LAMP RIM FIT	2	
10	311B0300	NUT-HEX	1	
11	461F0300	WASHER SPRING 3MM	1	
12	220B0306	SCREW-PAN-HEAD 3X6	1	
13	23007-043	SEALED BEAM UNIT	1	
14	23019-022	SCREW,PAN HEAD,5X14	2	
15	23005-038-21	BODY-HEAD.LAMP.BLACK	1	
16	23066-001	DAMPER RUBBER A	2	
17	23066-005	DAMPER RUBBER	2	
18	23076-005	COLLAR	2	S3
18	23076-005	COLLAR	1	S3-A

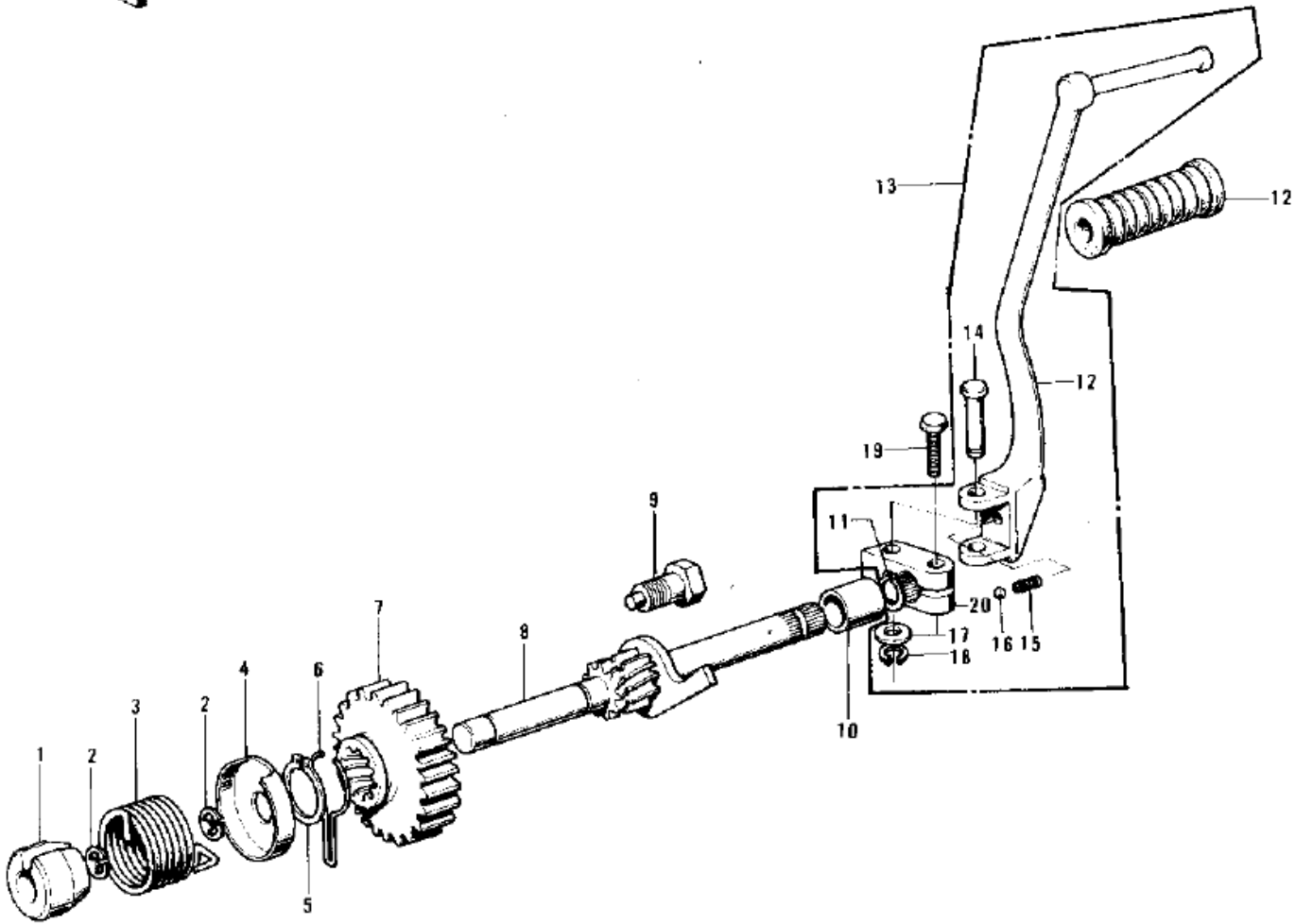
# 21- IGNITION/GENERATOR/REGULATOR



**21- IGNITION/GENERATOR/REGULATOR**

Ref n°	Part n°	Description	Qty	Spec Code
1	21121-051	COIL-IGNITION,L,H	1	
2	21133-020	CORD-HIGH TENSION,L,H	1	
3	21126-004	BAND-IGNITION COIL	1	
4	21121-052	COIL-IGNITION,CENTER	1	
5	21133-021	CORD-HIGH TENSION,CNT	1	
6	92073-018	RUBBER CAP,IGN COIL	1	
7	21126-004	BAND-IGNITION COIL	1	
8	21121-053	COIL-IGNITION,R,H	1	
9	21133-022	CORD-HIGH TENSION,R,H	1	
10	21126-004	BAND-IGNITION COIL	1	
11	220B0640	SCREW PAN HEAD 6X40	2	S3
11	112G0640	BOLT-UPSET,6X40	2	S3-A
12	112G0620	BOLT-UPSET,6X20	2	
13	461F0600	WASHER SPRING 6MM	8	
14	311B0600	NUT 6MM	8	
15	21130-009	CAP SPARK PLUG	3	
16	92101-001	SPRING-SPARK PLUG CAP	3	
17	B9HS	SPARK PLUG B9HS	3	S3
17	B9HS1	SPARK PLUG B9HS1	3	
17	B8HS	SPARK PLUG B8HS	3	S3-A
18	21066-020	REGULATOR,VOLTAGE	1	
19	112G0612	BOLT-UPSET,6X12	2	
20	21061-011	RECTIFIER	1	S3
20	21061-029	RECTIFIER	1	S3-A
20	21061-029	RECTIFIER	AL	S3 & S3-A
21	21001-022	ALTERNATOR	1	
22	21014-008	CAM	1	
23	21007-020	ROTOR	1	
24	21003-016	STATOR ASSY	1	
25	21013-026	CONDENSER	3	
26	21008-019	BREAKER-CONTACT	3	
27	21156-003	PLATE-CNTCT BRKER,L,H	1	"L" MARK, GREEN LEAD
28	21156-004	PLATE-CNTCT BRKER,CEN	1	"C" MARK, BLACK LEAD
29	21156-005	PLATE-CNTCT BRKER,R,H	1	"R" MARK, BLUE LEAD
30	21019-011	FELT-OIL	2	
31	220B0408	SCREW PAN HEAD 4X8	12	
32	461F0400	WASHER SPRING 4MM	12	
33	220B0555A	SCREW PAN HEAD 5X55	3	
34	114B0870	BOLT HEX HEAD 8X70	1	
35	461F0800	WASHER SPRING 8MM	1	
36	411B0600	WASHER PLAIN 6MM	4	
37	26011-084	WIRE-LEAD	1	F/NO. 5187-

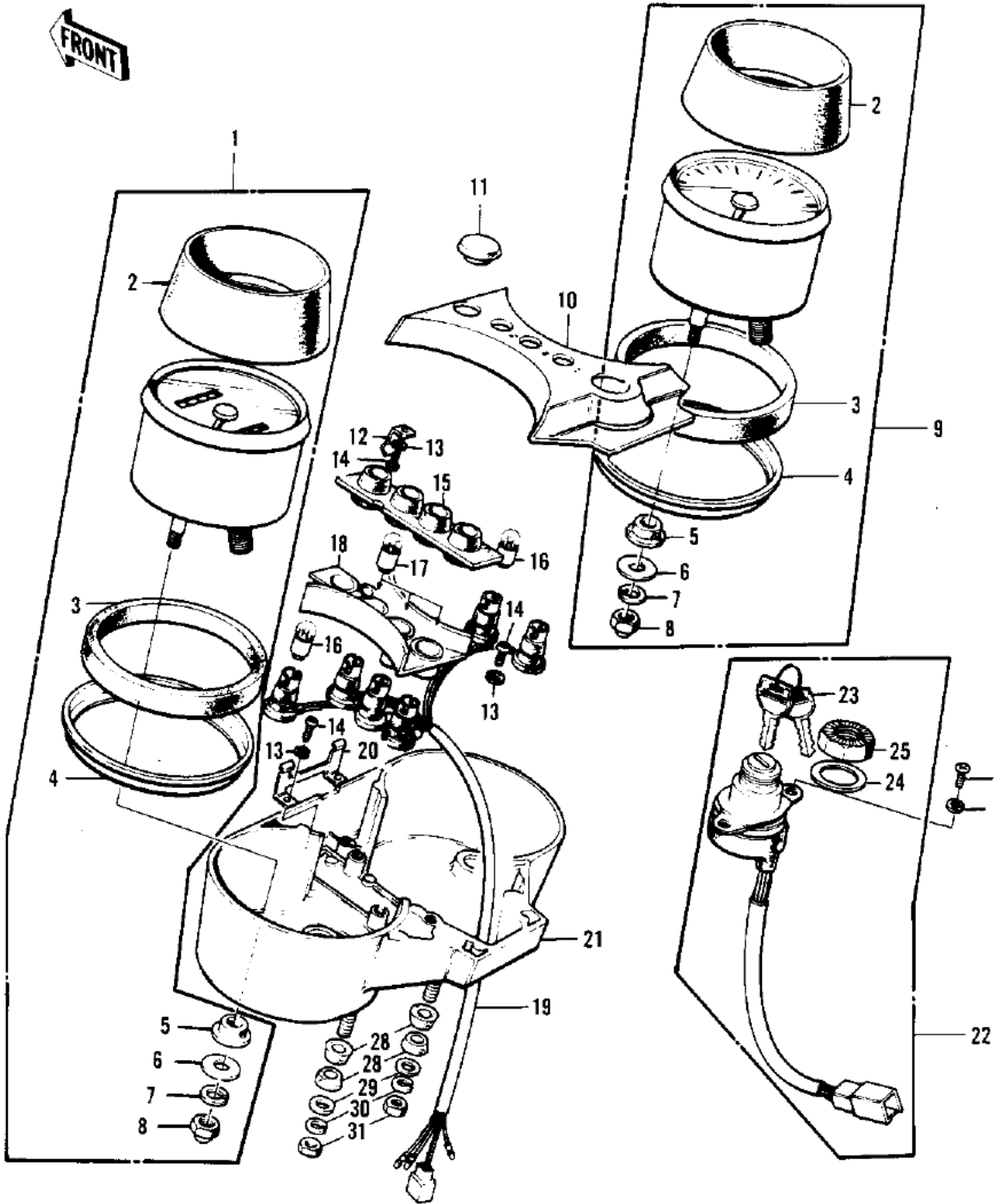
# 22- KICKSTARTER MECHANISM



## 22- KICKSTARTER MECHANISM

Ref n°	Part n°	Description	Qty	Spec Code
1	13070-001	GUIDE KICK SPRING	1	
2	482J0100	CIRCLIP 10MM	2	
3	92081-021	SPRING KICKSTARTER	1	
4	13071-003	PLATE KICK GEAR HLDER	1	
5	480J2600	CIRCLIP 26MM	1	
6	13077-002	HOLDER KICK GEAR	1	
7	13068-024	GEAR-KICKSTARTER	1	
8	13245-008	SHAFT,KICKSTARTER	1	
9	13072-006	STOPPER KICKSTARTER	1	
10	92028-072	BUSH	1	
11	480J1600	CIRCLIP 16MM	1	
12	13063-004	RUBBER KICK PEDAL	1	
13	13058-038	PEDAL-KICKSTARTER	1	
14	92043-068	PIN-KICKSTARTER PEDAL	1	
15	92081-020	SPRING KICK PEDAL	1	
16	600A0800	BALL STEEL 1/4'	1	
17	410B1000	WASHER PLAIN 10MM	1	
18	482J8000	CIRCLIP 8MM	1	
19	92001-101	BOLT-KICK PEDAL	1	
20	13061-015	BOSS-KICK PEDAL	1	

23- METERS/IGNITION SWITCH

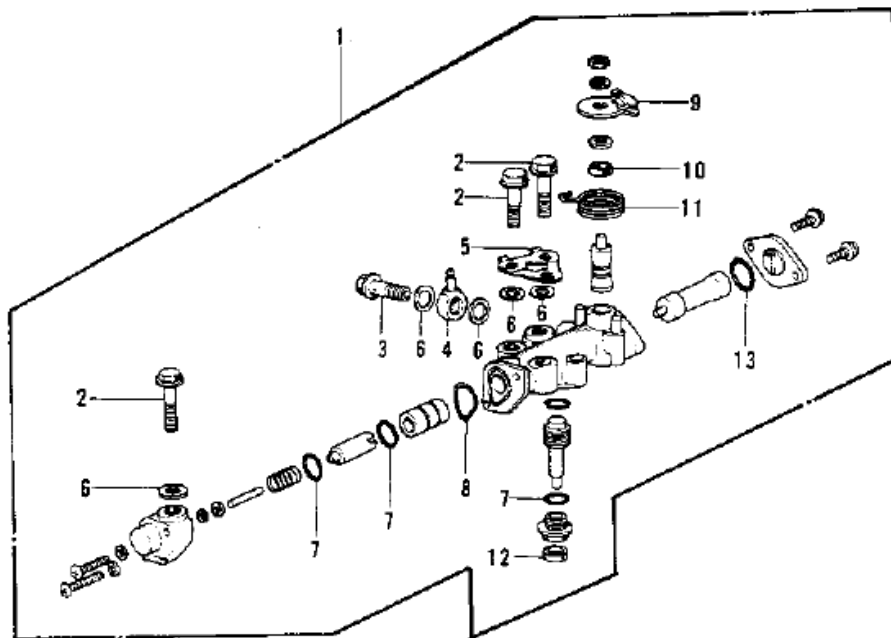
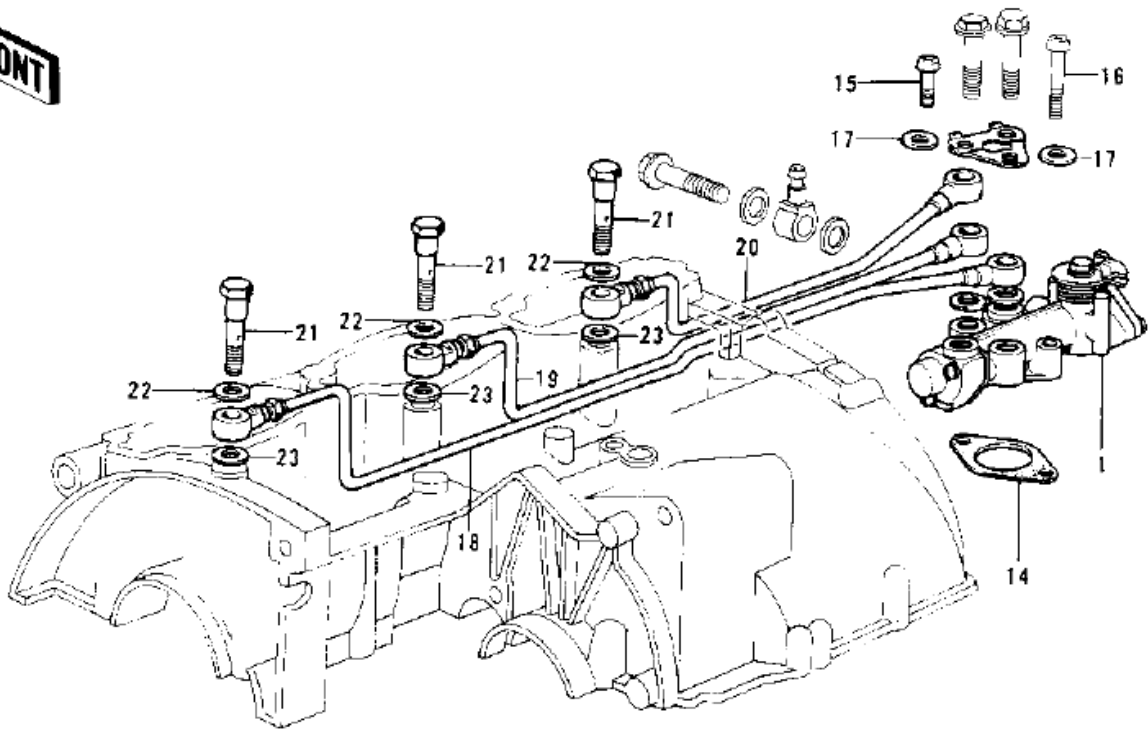




**23- METERS/IGNITION SWITCH**

Ref n°	Part n°	Description	Qty	Spec Code
1	25005-124	SPEEDOMETER ASSY,MPH	1	
1	25005-076	SPEEDO ASSY,KPH (Canada)	1	
2	25012-012	COVER-METER	2	
3	25019-012	DAMPER A.METER SHOCK (Canada)	2	
4	25026-001	RING-METER	2	
5	25019-013	DAMPER RUBBER-METER	4	
6	411B0500	WASHER PLAIN 5MM	4	
7	461F0500	WASHER SPRING 5MM	4	
8	92015-059	NUT,5MM	4	
9	25016-020	TACHOMETER ASSY	1	
10	25023-009	COVER.METER CASE	1	
11	92074-032	PLUG.RUBBER	1	
12	25014-004	HOLDER-METER CASE COV	2	
13	461F0400	WASHER SPRING 4MM	6	
14	220B0408	SCREW PAN HEAD 4X8	6	
15	25019-014	DAMPER RUBBER-METER	1	
16	92069-018	BULB 12V 3W	5	
17	92069-017	BULB 12V 1.5W	1	
18	25023-003	COVER-METER SOCKET	1	
19	25011-030	SOCKET,SPEEDOMETER	1	
20	25014-003	HOLDER-METER CASE	1	
21	25008-026	CASE-METER	1	
22	27005-1021	SWITCH-ASSY	1	
23	27008-055-01	KEY SET,#901	1	
23	27008-055-02	KEY SET,#902	1	
23	27008-055-03	KEY SET,#903	1	
23	27008-055-04	KEY SET,#904	1	
23	27008-055-05	KEY SET,#905	1	
23	27008-055-06	KEY SET,#906	1	
23	27008-055-07	KEY SET,#907	1	
23	27008-055-08	KEY SET,#908	1	
23	27008-055-09	KEY SET,#909	1	
23	27008-055-10	KEY SET,#910	1	
23	27008-1024	KEY,BLANK	AR	
23	27008-1025	KEY,BLANK	AR	
24	27019-002	WASHER-IGNITION	1	
25	27007-003	NUT-IGNITION SWITCH	1	
26	461F0500	WASHER SPRING 5MM	2	
27	220B0508	SCREW PAN HEAD 5X8	2	
28	92075-080	DAMPER RUBBER	4	
29	411B0800	WASHER PLAIN 8MM	2	
30	461F0800	WASHER SPRING 8MM	2	
31	311B0800	NUT,8MM	2	

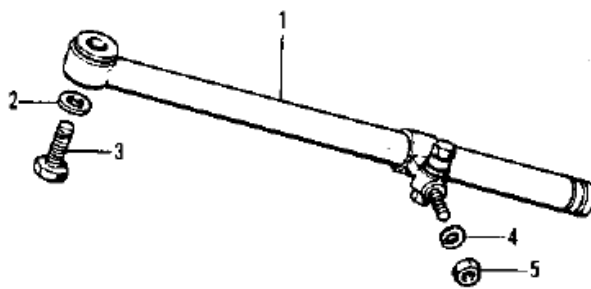
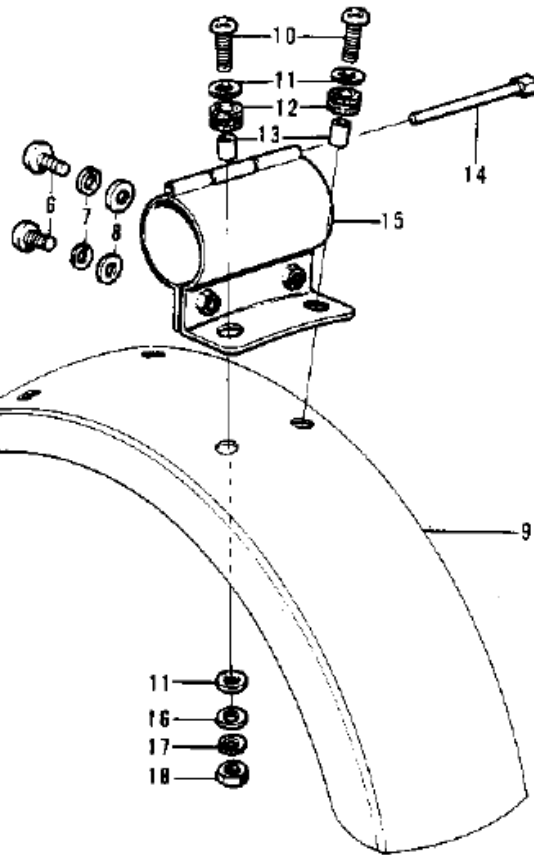
# 24- OIL PUMP



**24- OIL PUMP**

Ref n°	Part n°	Description	Qty	Spec Code
1	16082-1009	PUMP ASSY,OIL	1	
2	92060-008	BOLT BANJO	3	
3	92060-009	BOLT BANJO	1	
4	92061-015	CONNECTOR BANJO	1	
5	92024-058	WASHER,OIL PUMP LOCK	1	
6	92022-077	WASHER OIL PUMP BANJO	5	
7	16090-002	"0" RING,OIL PUMP SHT	3	
8	16088-002	"0" RING,UPPER CAP	1	
9	16096-011	LETER,OIL PUMP CABLE	1	
10	92049-1294	SEAL-OIL,CAMSHAFT,"X"	1	
11	16093-002	SPRING OIL PUMP LEVER	1	
12	16091-001	OIL SEAL OIL PUMP SHT	1	
13	16090-003	"0" RING.LOWER CAP	1	
14	11060-1160	GASKET,OIL PUMP	1	
15	220B0514	SCREW-PAN-CROS	1	
16	220B0528	SCREW PAN CROSS.5X28	1	
17	92022-037	WASHER OIL PUMP	2	
18	16134-012	PIPE-OIL,L.H	1	
19	16134-013	PIPE-OIL,CENTER	1	
20	16134-014	PIPE-OIL,R.H	1	
21	92060-010-79	BOLT-BANJO,CR	3	
22	92065-058	GASKET CHECK VALVE	3	
23	92065-023	GASKET CHECK VALVE	3	

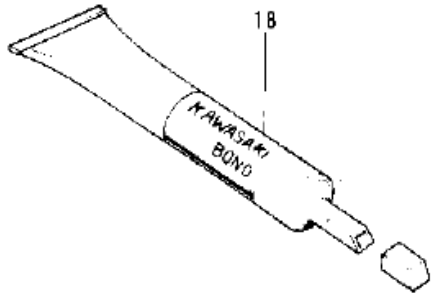
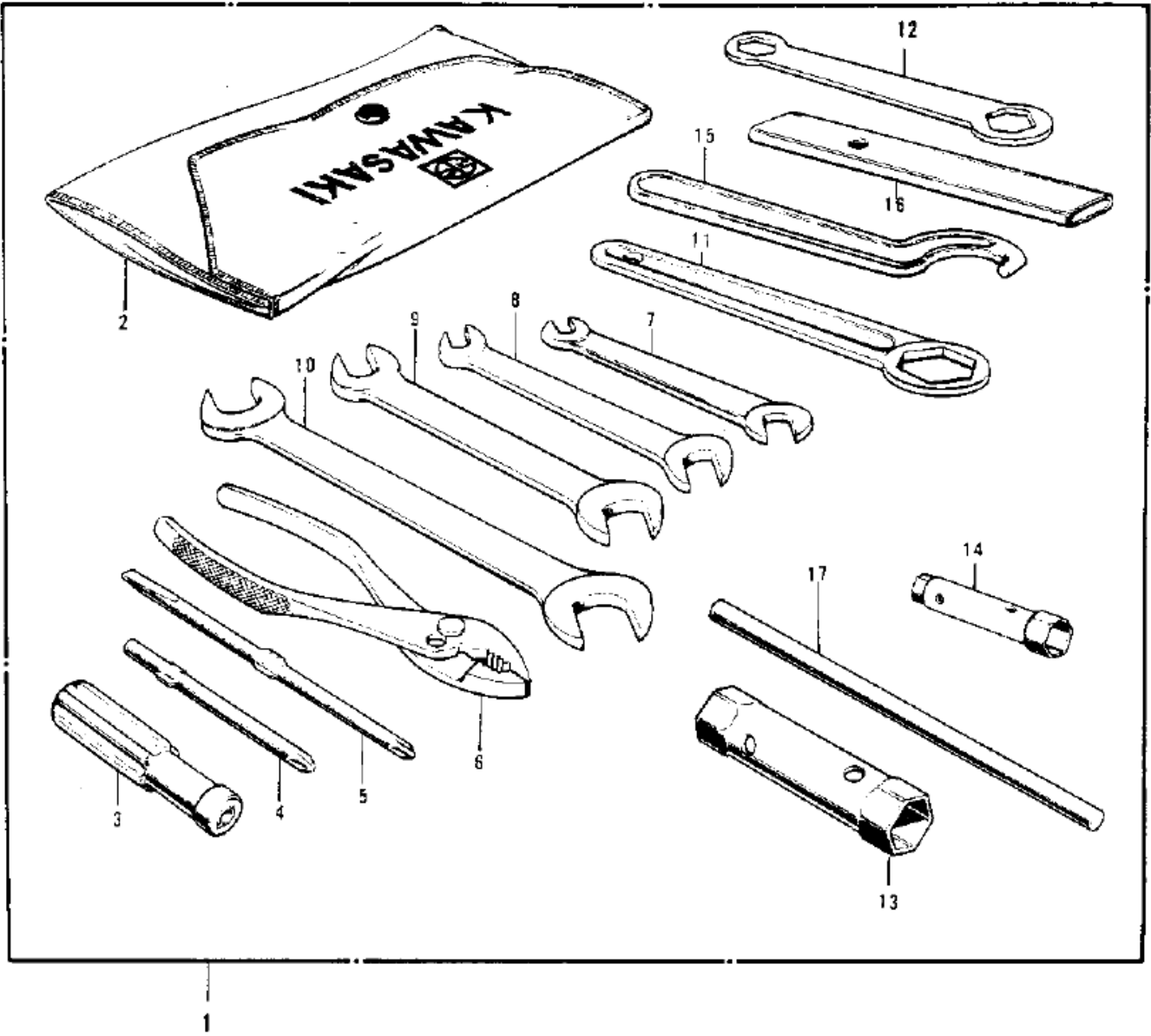
25- OPTIONAL PARTS



**25- OPTIONAL PARTS**

<b>Ref n°</b>	<b>Part n°</b>	<b>Description</b>	<b>Qty</b>	<b>Spec Code</b>
1	46117-006	OIL DAMPER-STEERING	1	
2	411B0800	WASHER PLAIN 8MM	1	
3	115G0830	BOLT-SMALL-UPSET,8X30	1	
4	461F0800	WASHER SPRING 8MM	1	
5	311B0800	NUT,8MM	1	
6	220E0612	SCREW PAN HEAD 6X12	2	
7	461F0600	WASHER SPRING 6MM	2	
8	411B0600	WASHER PLAIN 6MM	2	
9	35022-102	FENDER-RR	1	
10	220E0620	SCREW PAN HEAD 6X20	2	
11	92022-125	WASHER 6.5X20X1.6T	4	
12	92075-076	DAMPER RUBBER	2	
13	92027-129	COLLAR,6.8X10X8.5	2	
14	32111-003	PIN OIL TANK	1	
15	35025-024	BRACKET,REAR FENDER	1	
16	411B0600	WASHER PLAIN 6MM	2	
17	461F0600	WASHER SPRING 6MM	2	
18	311B0600	NUT 6MM	2	

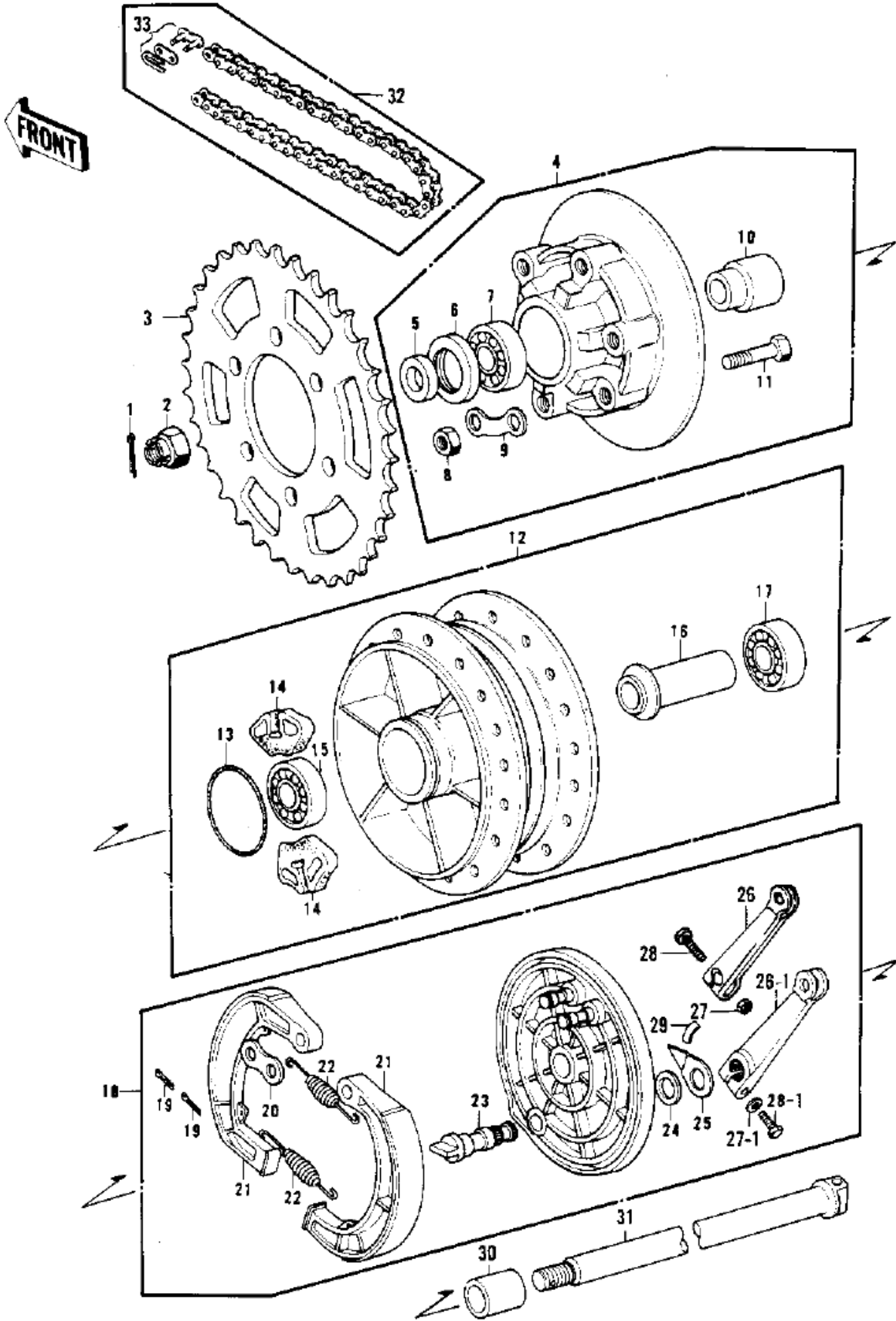
26- OWNER TOOLS



**26- OWNER TOOLS**

Ref n°	Part n°	Description	Qty	Spec Code
1	56007-037	TOOL KIT	1	
1	56007-028	*** N.L.A.*** (Canada)	AL	
2	56008-008	BAG.TOOL	1	
3	92106-002	92106-1001 (Canada)	1	
4	92107-005	SCREW DRIVER #3 PHLIP	1	
5	92107-1052	TOOL-DRIVER	1	
6	92112-003	PLIERS,160MM	1	
7	92126-001	WRENCH,OPEN,8X10	1	
8	92126-002	WRENCH,OPEN END,12X13	1	
9	92110-1153	TOOL-WRENCH,OPEN END,	1	
10	92126-007	92110-1010 (Canada)	1	
11	92108-010	WRENCH.BOX.32MM	1	USE FOR 56007-037
11	92110-1147	TOOL-WRENCH.BOX END.2	1	USE FOR 56007-028
12	92108-009	92110-1022 (Canada)	1	USE FOR 56007-037
13	92110-012	WRENCH.BOX,17X21	1	
14	92110-007	WRENCH BOX 10MM	1	
15	92108-007	92110-1035 (Canada)	1	
16	92111-004	BAR. WRENCH	1	
17	92111-005	BAR.SPARK PLUG WRENCH	1	
18	92104-002	LIQUID GASKET	1	

27- REAR HUB/BRAKE/CHAIN



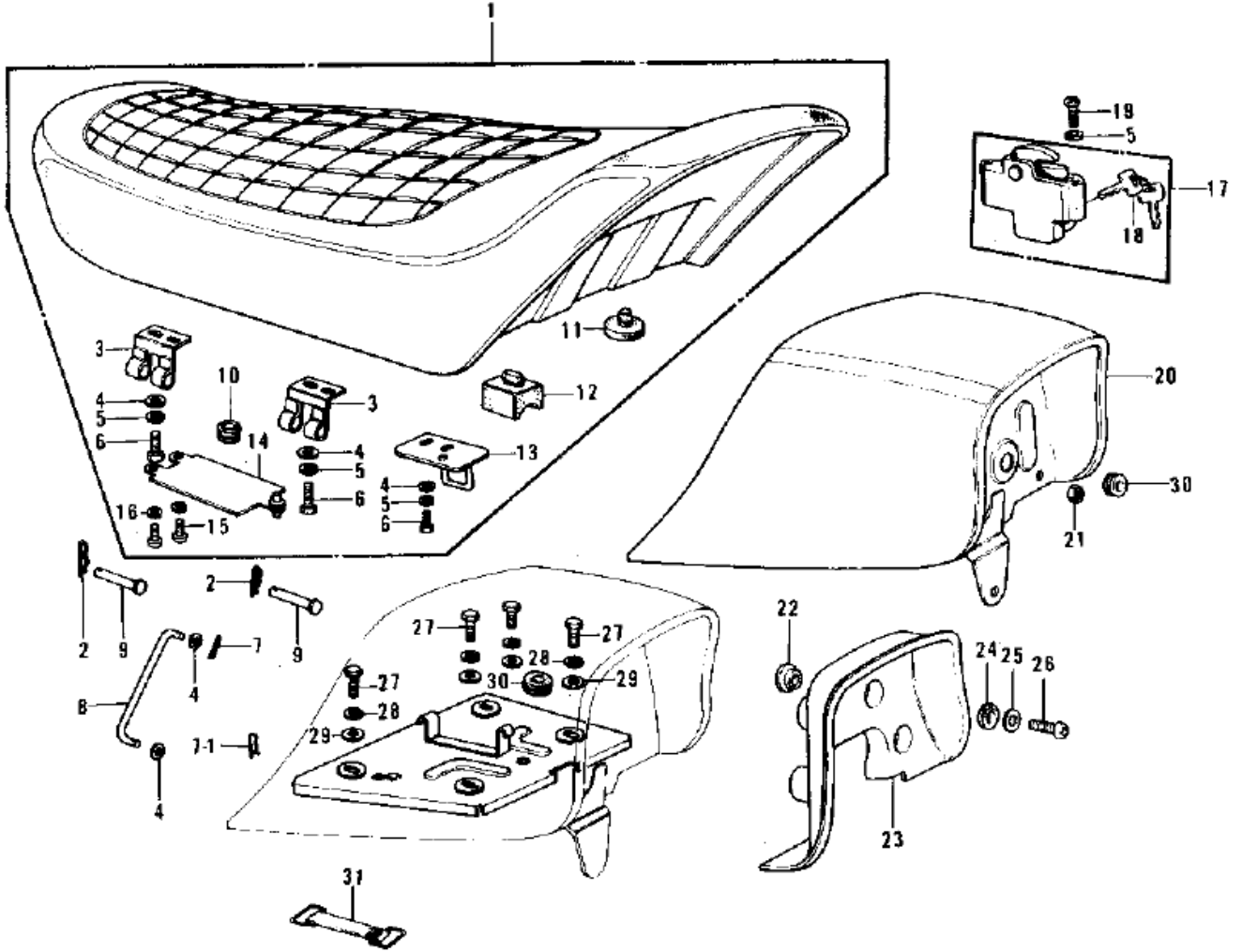


## 27- REAR HUB/BRAKE/CHAIN

Ref n°	Part n°	Description	Qty	Spec Code
1	550D4035	PIN-COTTER,4.0X35	1	
2	92015-055	NUT CASTLE,16MM	1	
3	42041-138	REAR SPROCKET,41T	1	STD
3	42041-063	REAR SPROCKET 38T	1	
3	42041-102	REAR SPROCKET 43T	1	OPTION
4	42008-020	COUPLING ASSY,RR BRK	1	
5	42037-024	COLLAR,REAR AXLE	1	
6	92052-006	OIL SEAL WTC35527	1	
7	601B6205	BEARING BALL #6205	1	
8	314B1000	NUT,10MM	4	
9	92088-005	WASHER SPROCKET LOCK	2	
10	42036-019	SLEEVE,REAR AXLE	1	
11	92003-087	BOLT-REAR SPROCKET	4	
12	42005-009	DRUM ASSY REAR BRAKE	1	
12-1	41034-5001	DRUM-ASSY,RR BRK	AL	
13	671B2560	"0" RING,60MM	1	
14	42014-008	DAMPER REAR HUB SHOCK	4	
15	601B6205	BEARING BALL #6205	1	
16	42010-007	SPACER,RR HUB BEARING	1	
16	42010-008	SPACER RR HUB BEARING	AL	
17	601B6205Z	BEARING BALL #6205Z	1	
18	42006-060-80	PANEL-ASY,RR BRK	1	S3
18	42006-060-80	PANEL-ASY,RR BRK	1	S3-A
19	550D2025	PIN COTTER 2.0X25	2	
20	41045-007	WASHER,BRAKE SHOE	1	
21	42019-003	SHOE REAR BRAKE	2	
22	41049-003	SPRING BRAKE SHOE	2	
23	42026-015	CAM SHAFT,REAR BRAKE	1	
24	41051-001	DUST SHIELD BRAKE CAM	1	
25	41085-009	INDICATOR,BRAKE PANEL	1	
26	42029-037	LEVER,REAR BRAKE CAM	1	S3
26-1	42029-037	LEVER,REAR BRAKE CAM	1	S3-A
27	41072-007	NUT,6MM	1	S3
27-1	410B0600	WASHER PLAIN 6MM	1	S3-A
28	112G0640	BOLT-UPSET,6X40	1	S3
28-1	112G0625	BOLT-UPSET	1	S3-A
29	41084-001	LABEL	1	
30	42032-049	COLLAR,REAR AXLE	1	
31	42031-047	AXLE,REAR	1	
32	92057-085	DR CHAIN 530X104E	1	#530 X 104L
33	92058-008	CHAIN JOINT 530	1	#530

28- SEAT/SEAT COVER

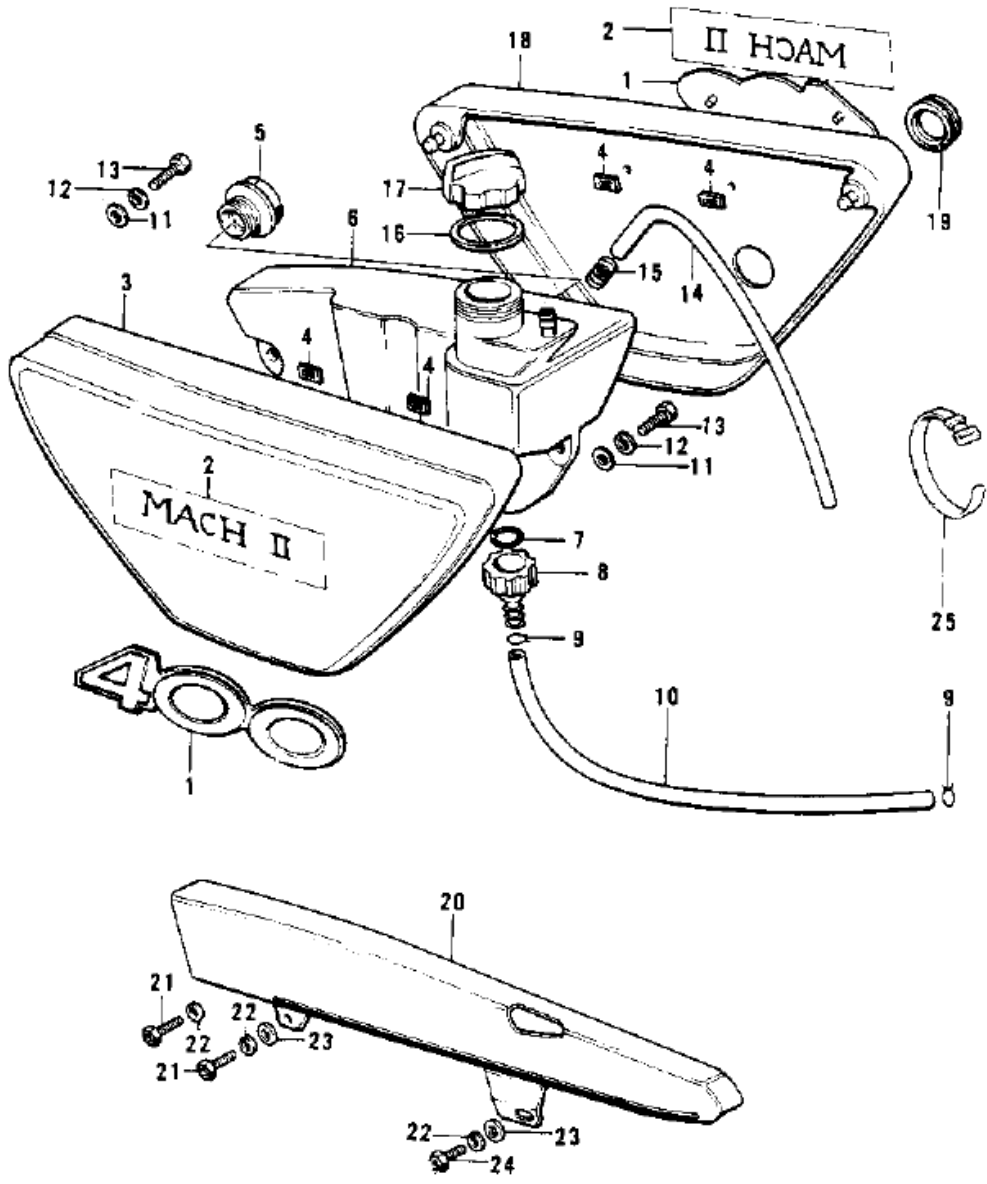
FRONT



**28- SEAT/SEAT COVER**

Ref n°	Part n°	Description	Qty	Spec Code
1	53001-102	SEAT-ASSY,DUAL	1	
2	92041-003	COTTER PIN	2	
3	53009-017-10	HINGE,BLACK	2	
4	410B0600	WASHER PLAIN 6MM	8	
5	461F0600	WASHER SPRING 6MM	8	
6	112B0614	BOLT-UPSET 6X14	6	
7	550D1615	PIN COTTER 1.6X15	2	
7	92041-003	COTTER PIN	AL	
8	53054-002	STAND,SEAT	1	
9	53011-002	PIN	2	
10	92071-056	GROMMET	1	
11	92075-099	DAMPER RUBBER	1	
12	92075-156	DAMPER RUBBER-SEAT	4	
13	53008-024	HOOK,SEAT	1	
14	32099-011	CASE	1	
15	220B0410	SCREW PAN HEAD 4X10	2	
16	461F0400	WASHER SPRING 4MM	2	
17	53045-013	LOCK ASSY,SEAT	1	
18	27008-055-01	KEY SET,#901	AR	
18	27008-055-10	KEY SET,#910	AR	
19	220B0614	SCREW PAN HEAD 6X14	2	
20	53043-008-2A	BACK REST,C.RED	1	S3
20	53043-008-2B	BACK REST,C.BLUE	1	S3
20	53043-008-2V	BACKREST,C.S.RED	1	S3-A
20	53043-008-2Y	BACKREST,C.GREEN	1	S3-A
21	311B0600	NUT 6MM	4	
22	92075-169	DAMPER RUBBER	4	
23	53057-004	COVER,BACKREST	1	
24	92075-168	DAMPER RUBBER	4	
25	92022-240	WASHER-PLAIN,7MM	4	
26	220B0628	SCREW PAN HEAD 6X28	4	
27	115G0818	BOLT-SMALL-UPSET,8X18	4	
28	461F0800	WASHER SPRING 8MM	4	
29	411B0800	WASHER PLAIN 8MM	4	
30	92071-059	GROMMET	2	
31	92072-012	BAND TOOL	1	

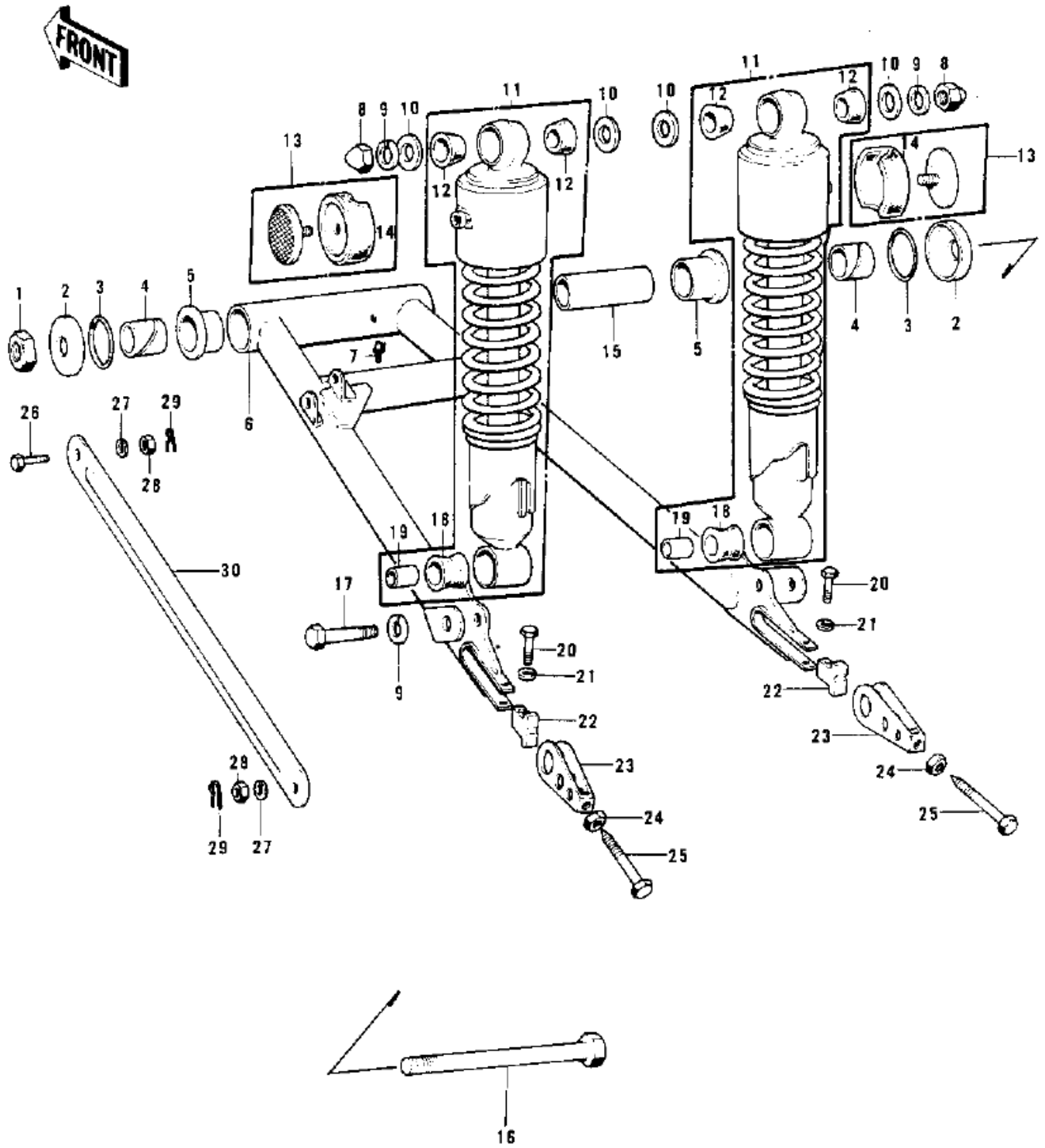
29- SIDE COVERS/OIL TANK/CHAIN COVER



**29- SIDE COVERS/OIL TANK/CHAIN COVER**

Ref n°	Part n°	Description	Qty	Spec Code
1	56018-164	EMBLEM,SIDE COVER	2	S3
1	56018-193	EMBLEM,SIDE COVER.	2	S3-A
2	56018-167	EMBLEM,SIDE COVER	2	
3	36001-043-2A	COVER,L,H SIDE,C.RED	1	S3
3	36001-043-2B	COVER,L,H SIDE,BLUE	1	S3
3	36001-043-2V	COVER,L,H SIDE,C.RED	1	S3-A
3	36001-043-2Y	COVER,L,H.SIDE,C.GREN	1	S3-A
4	92018-005	NUT,LOCK,3MM	4	
5	52015-005	GAUGE-OIL LEVEL	1	
6	52001-040	TANK,OIL	1	
7	670B2015	"O" RING,15MM	1	
8	52020-001	FILTER-OIL	1	
9	92037-010	CLAMP FUEL PIPE	1	
10	92059-072	PIPE-OIL	1	
11	411B0600	WASHER PLAIN 6MM	3	
12	461F0600	WASHER SPRING 6MM	3	
13	112B0614	BOLT-UPSET 6X14	3	
14	700Q05720	TUBE-VINYL 5X720	1	
15	92037-141	CLAMP,OIL TANK BREATR	1	
16	92065-085	GASKET-OIL TANK CAP	1	
17	52003-019	CAP-OIL TANK	1	
18	36007-073-2A	UNAVAILABLE IN PRICE BOOK	1	S3
18	36007-037-2B	COVER,RH SIDE,BLUE	1	S3
18	36007-037-2V	COVER,RH SIDE,C.RED	1	S3-A
18	36007-037-2Y	COVER,RH SIDE,C.GREEN	1	S3-A
19	92071-065	GROMMET-R.H SIDE COV	1	
20	36014-050-21	CASE-CHAIN,FR BLACK	1	
21	92001-137	BOLT,HEX HEAD,6MM	2	
22	461F0600	WASHER SPRING 6MM	3	
23	92022-193	WASHER-PLAIN	2	
24	92001-121	BOLT,HEX HEAD,6X14	1	
25	92072-031	BAND,MIDDLE	1	

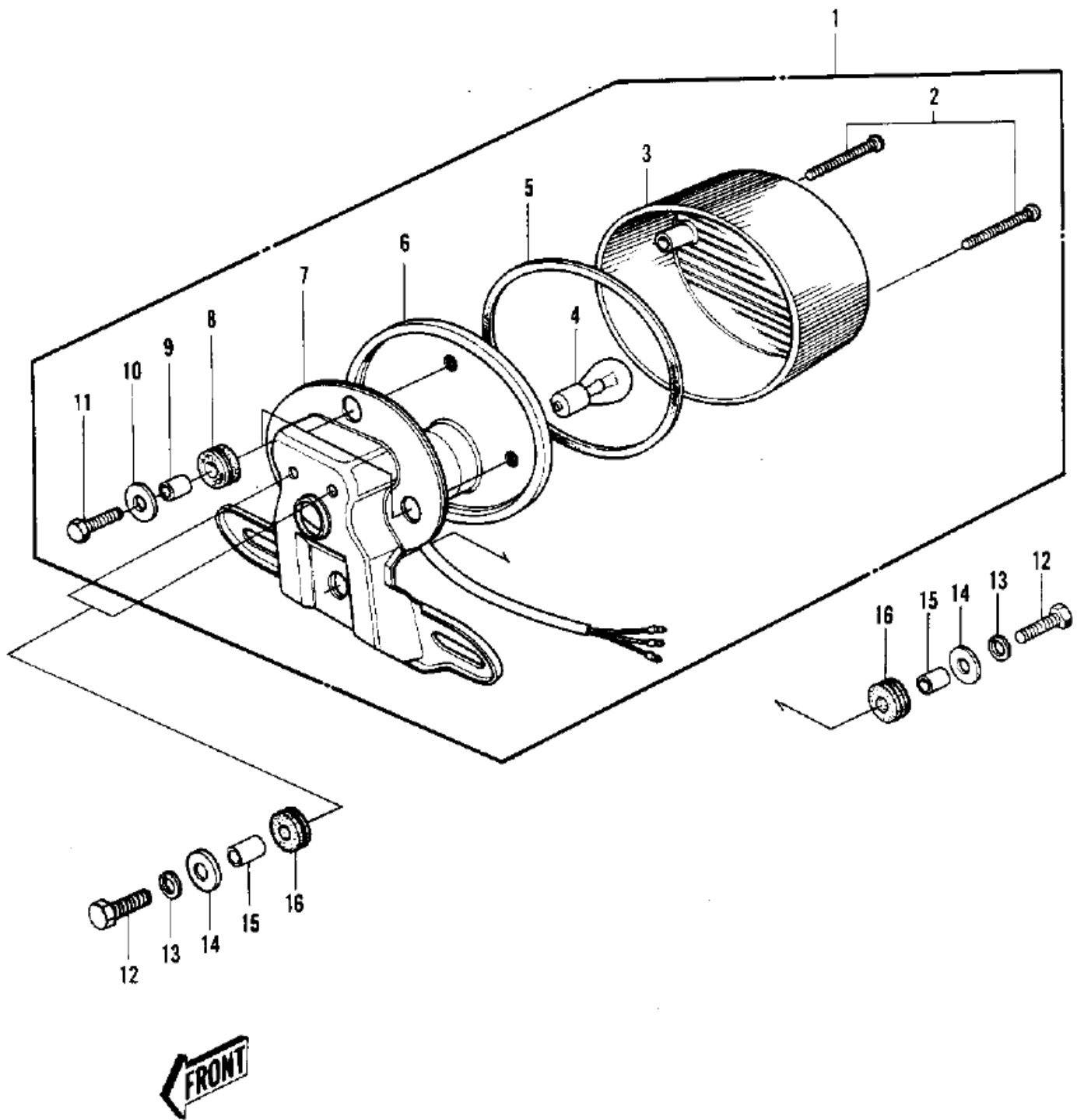
# 30- SWING ARM/SHOCK ABSORBERS



**30- SWING ARM/SHOCK ABSORBERS**

Ref n°	Part n°	Description	Qty	Spec Code
1	92019-011	NUT-LOCK,14MM	1	
2	33035-007	CAP,SWING ARM	2	
3	671B2530	"0" RING,30MM	2	
4	33034-013	SLEEVE-SWING ARM,SHRT	2	
5	33033-009	BUSHING-SWING ARM	2	
6	33001-1089	ARM-COMP-SWING	1	
7	92005-002	GREASE NIPPLE	1	
8	92020-003	NUT SHOCK ABSORBER	2	
9	461F1000	WASHER SPRING 10MM	4	
10	92022-246	WASHER,PLAIN,10MM	4	
11	45014-078	SHOCK ABSBR RR	2	
12	45017-001	BUSH SHCK ABS RUBBER	4	
13	28001-030	REFLECTOR,REFLEX,REAR	2	S3
13	28001-030	REFLECTOR,REFLEX,REAR	2	S3-A
14	28016-002	DAMPER RUBBER-REFLEX	2	S3
14	28016-003	DAMPER RUBBER,REFLEX	2	S3-A
15	33034-012	SLEEVE-SWING ARM,LONG	1	
16	33032-037	SHAFT-SWING ARM PIVOT	1	
17	113N1035	BOLT HEX HEAD 10X35	2	
18	45017-018	BUSHING,SHCK ABS RUB	2	
19	45016-003	BUSH SHCK ABS PVT SFT	2	
20	92001-1577	BOLT,FLANGED,8X35	2	
21	461F0800	WASHER SPRING 8MM	2	
22	33044-002	STOPPER,CHAIN ADJUST	2	
23	33040-056	ADJUSTER,CHAIN	2	
24	312B0800	NUT 8MM	2	
25	92001-1399	BOLT,8X50	2	
26	92003-096	BOLT	1	
27	461F1000	WASHER SPRING 10MM	2	
28	314B1000	NUT,10MM	2	
29	554A0800	PIN,SNAP	2	
30	43007-031	TORQUE LINK-RR BRAKE	1	

# 31- TAILLIGHT

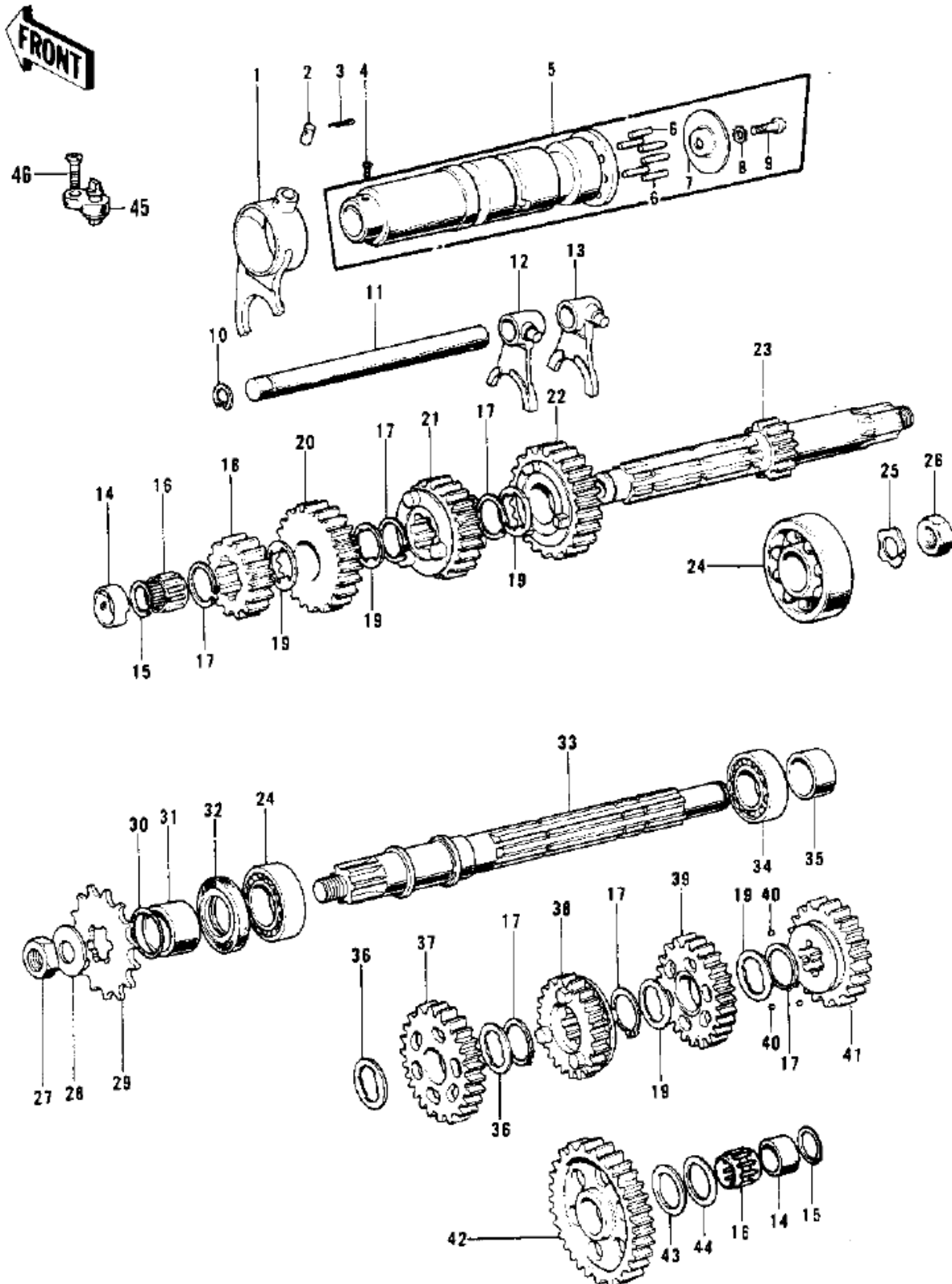




**31- TAILLIGHT**

<b>Ref n°</b>	<b>Part n°</b>	<b>Description</b>	<b>Qty</b>	<b>Spec Code</b>
1	23024-026-21	LAMP ASSY-TAIL, BLACK	1	
2	220E0435A	SCREW-PAN HEAD, 4X35	2	
3	23026-023	LENS-TAIL LAMP	1	
4	92069-060	BULB, 12V 23/8W	1	
5	23028-018	GASKET-TAIL LAMP LENS	1	
6	23027-030	CASE, TAIL LAMP	1	
7	23036-022-21	BKT-LICENSE PLT, BLACK	1	
8	92075-076	DAMPER RUBBER	3	
9	92027-129	COLLAR, 6.8X10X8.5	3	
10	92022-125	WASHER 6.5X20X1.6T	3	
11	112B0622	BOLT 6X22	3	
12	112B0622	BOLT 6X22	3	
13	461F0600	WASHER SPRING 6MM	3	
14	92022-125	WASHER 6.5X20X1.6T	3	
15	92027-120	COLLAR 6.8X10X10.5	3	
16	92075-112	DAMPER RUBBER	3	

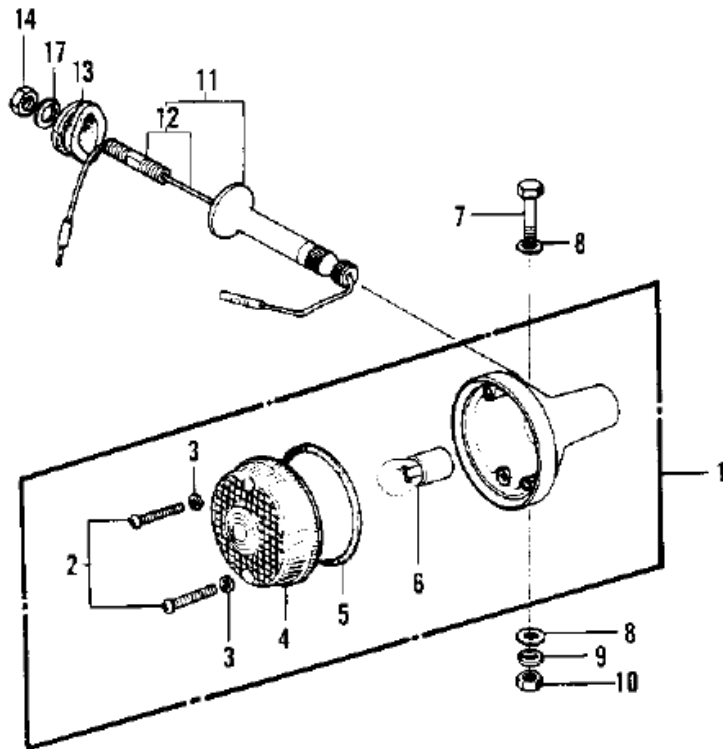
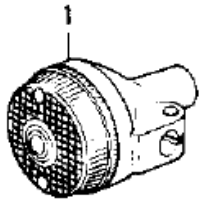
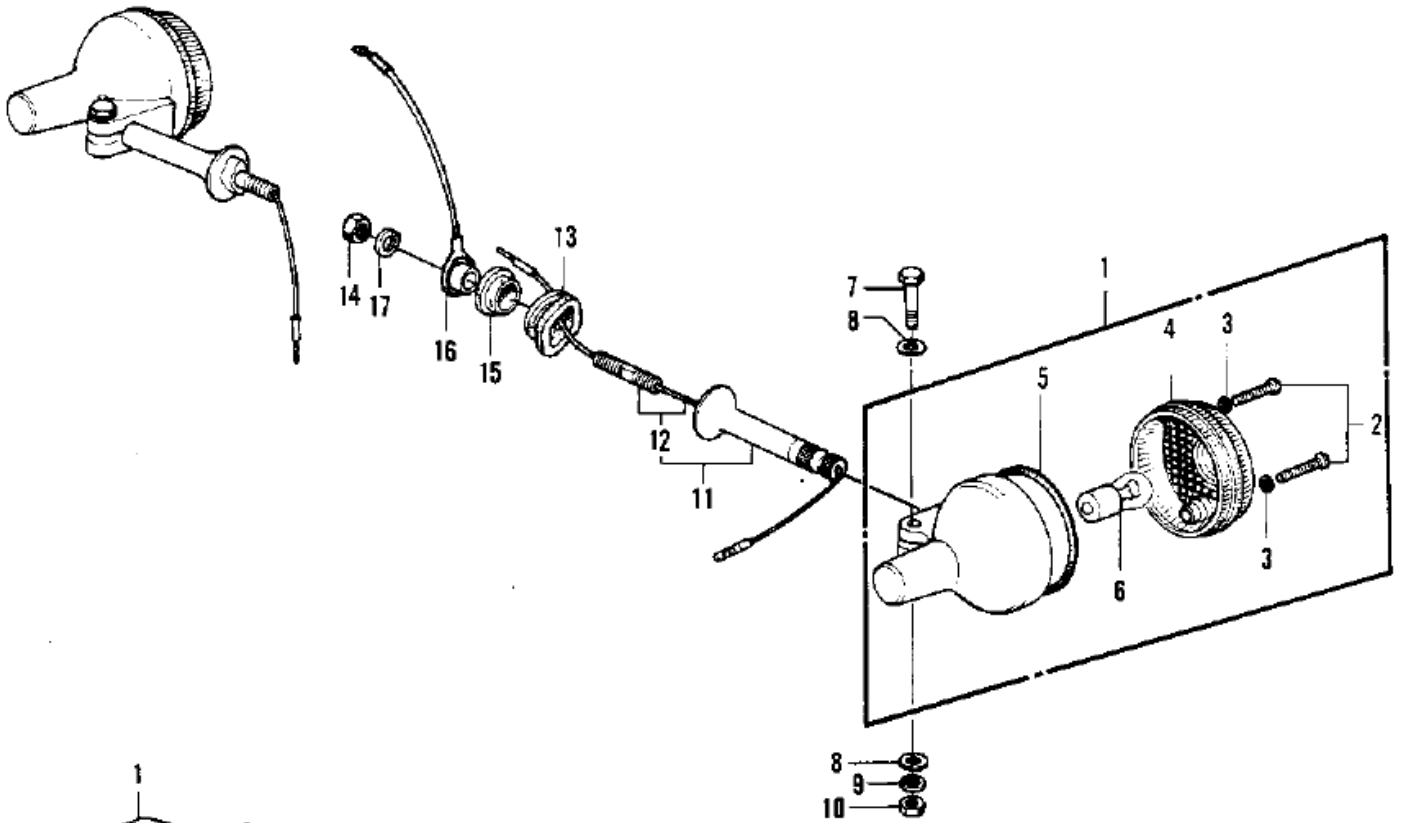
# 32- TRANSMISSION/CHANGE DRUM



**32- TRANSMISSION/CHANGE DRUM**

Ref n°	Part n°	Description	Qty	Spec Code
1	13140-037	FORK-SELECTOR,4TH&TOP	1	
2	92042-021	DOWEL PIN,8X18	1	
3	550D3020	PIN COTTER 3.0X20	1	
4	211B0406A	SCREW PAN HEAD 4X6	1	
5	13239-003	DRUM ASSY-GEAR CHANGE	1	
6	92042-014	PIN GEAR CHANGE DRUM	6	
7	13142-008	PLATE CHANGE DRUM PIN	1	
8	464H0600	WASHER LOCK 6MM	1	
9	220B0614	SCREW PAN HEAD 6X14	1	
10	482J0100	CIRCLIP 10MM	1	
11	13209-006	ROD-SHIFT	1	
12	13140-054	SELECTOR FORK,2ND&3RD	1	
13	13140-053	SELECTOR FORK,LOW	1	
14	92028-043	BUSH TRANSMISSION SFT	2	
15	92033-009	CIRCLIP 17MM	2	
16	92046-005	BEARING NEEDLE	2	
17	92033-025	CIRCLIP,25MM	6	
18	13130-028	2ND GEAR-DRIVE SHAFT	1	
19	92024-034	WASHER-LOCK	5	
20	13136-038	TOP GEAR-DRIVE SHAFT	1	
21	13132-027	3RD GEAR-DRIVE SHAFT	1	
22	13134-013	4TH GEAR-DRIVE SHAFT	1	
23	13127-034	SHAFT-DRIVE	1	
24	92045-010	BEARING BALL 6205NX3	2	
25	92024-046	WASHER-LOCK,14MM	1	
26	315B1400	NUT 14MM	1	
27	92015-019	NUT 18MM	1	
28	92024-067	WASHER,LOCK,18MM	1	S3
28	92024-067	WASHER,LOCK,18MM	1	S3-A
29	13144-035	ENGINE SPROCKET 14T	1	STD
29	13144-030	ENGINE SPROCKET 15T	1	
29	13144-036	ENG SPROCKET 16T (OPT	1	
30	92055-035	"O" RING	1	
31	92026-1024	SPACER-ENG SPROCKET	1	
32	92050-024	OIL SEAL SC325210	1	
33	13128-5004	SHAFT,OUTPUT	1	
34	601B6005	BEARING BALL #6005	1	
35	92027-135	COLLAR	1	
36	92024-035	WASHER-LOCK	2	
37	13131-034	2ND GEAR-OUTPUT SHAFT	1	
38	13137-022	TOP GEAR-OUTPUT SHAFT	1	
39	13133-027	3RD GEAR-OUTPUT SHAFT	1	
40	600A0500	BALL STEEL 5/32'	3	
41	13135-017	4TH GEAR-OUTPUT SHAFT	1	
42	13129-038	LOW GEAR-OUTPUT SHAFT	1	
43	92026-021	WASHER THRUST	1	
44	92022-075	WASHER 17MM	1	
45	13151-021	SWITCH,NEUTRAL	1	
46	221B0616	SCREW CNTSNK HD 6X16	1	

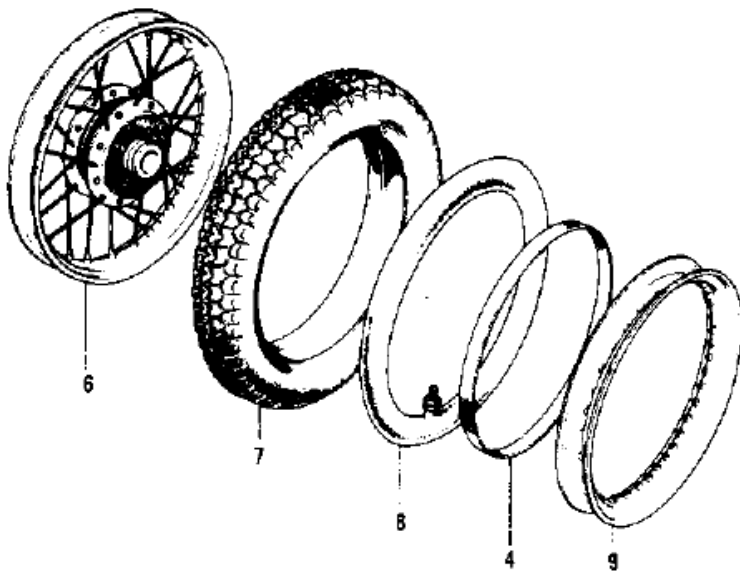
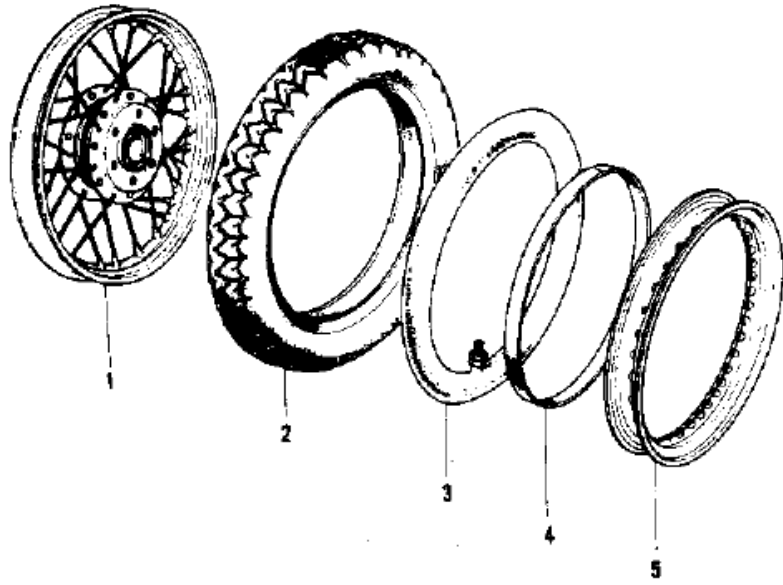
# 33- TURN SIGNALS



### 33- TURN SIGNALS

Ref n°	Part n°	Description	Qty	Spec Code
1	23040-037	LAMP ASSY-TURN SIGNAL	4	
2	220E0420A	SCREW-PAN HEAD,4X20	8	
3	23058-002	WASHER-PLAIN,4MM	8	
4	23048-1001	LENS,TURN SIGNAL LAMP	4	
5	23050-003	GASKET-SIG LAMP LENS	4	
6	92069-055	BULB 12V 32CP	4	
7	112G0630	BOLT-UPSET	4	
8	411D0600	WASHER-PLAIN,6MM	8	
8	411B0600	WASHER PLAIN 6MM	AL	
9	461F0600	WASHER SPRING 6MM	4	
10	311B0600	NUT 6MM	4	
11	23078-001	BRACKET-TURN SIG LAMP	4	
12	23073-001	BOLT SET-SIG LAMP BKT	4	
13	92075-128	DAMPER RUBBER	4	
14	315B1000	NUT 10MM	4	
15	92075-158	DAMPER RUBBER,SIG LM	2	
16	23076-003	COLLAR	2	
17	461F1000	WASHER SPRING 10MM	2	

34- WHEELS/TIRES



**34- WHEELS/TIRES**

Ref n°	Part n°	Description	Qty	Spec Code
1	41074-036	WHEEL ASSY,FRONT	1	
2	41021-026	UNAVAILABLE IN PRICE BOOK	1	
3	41022-028	TUBE 300/325/360-18	1	
4	41023-1006	BAND,RIM,4.00/5.10-18	2	
5	41025-075	RIM.1.85BX18	1	
6	42048-017	WHEEL ASSY-REAR	1	
7	41021-027	UNAVAILABLE IN PRICE BOOK	1	S3
7	41021-031	UNAVAILABLE IN PRICE BOOK	1	S3-A
8	41022-031	TUBE 350/375/410-18	1	
9	41025-053	RIM.1.85BX18W	1	
10	41027-054	SPOKE-ASY,FR INNER	20	102 X 174.5 MM
11	41028-054	SPOKE-ASY,FR OUTER	20	83 X 174 MM
12	41027-046	SPOKE-ASY,RR INNER	20	104 X 147 MM
13	41028-045	SPOKE-ASY,RR OUTER	20	85 X 146 MM
14	41075-1007	WEIGHT,BALANCE,10G	AR	
15	41075-1008	WEIGHT,BALANCE,20G	AR	
16	41075-1009	WEIGHT,BALANCE,30G	AR	