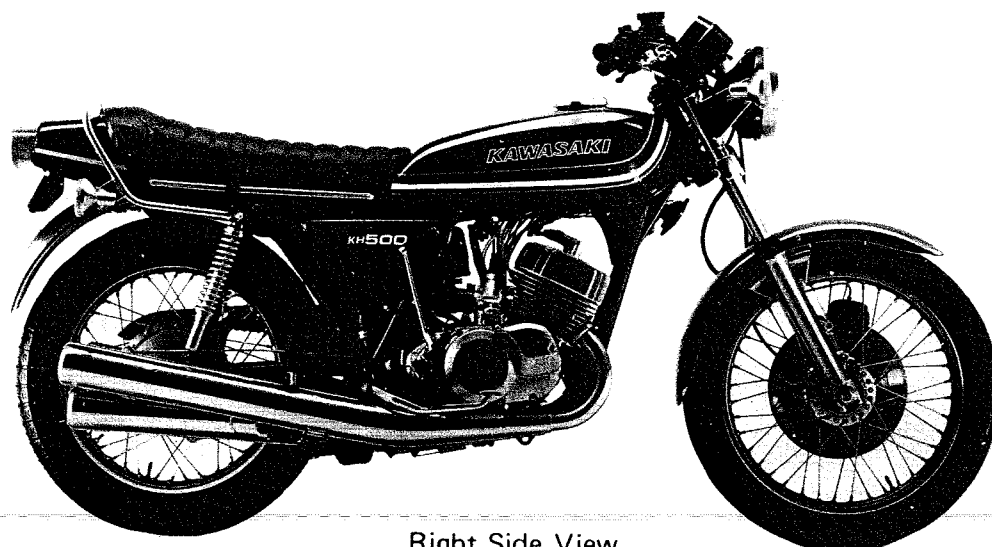
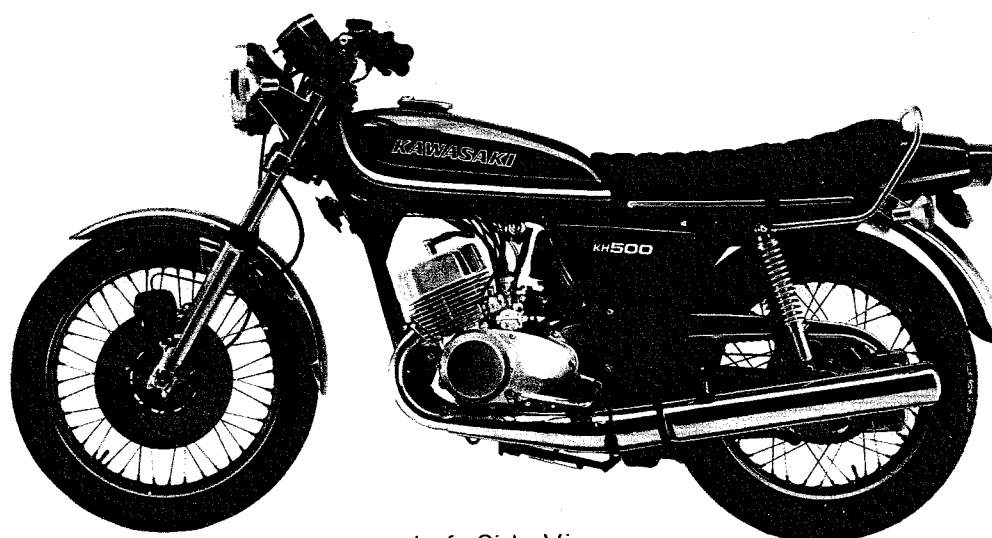


KAWASAKI

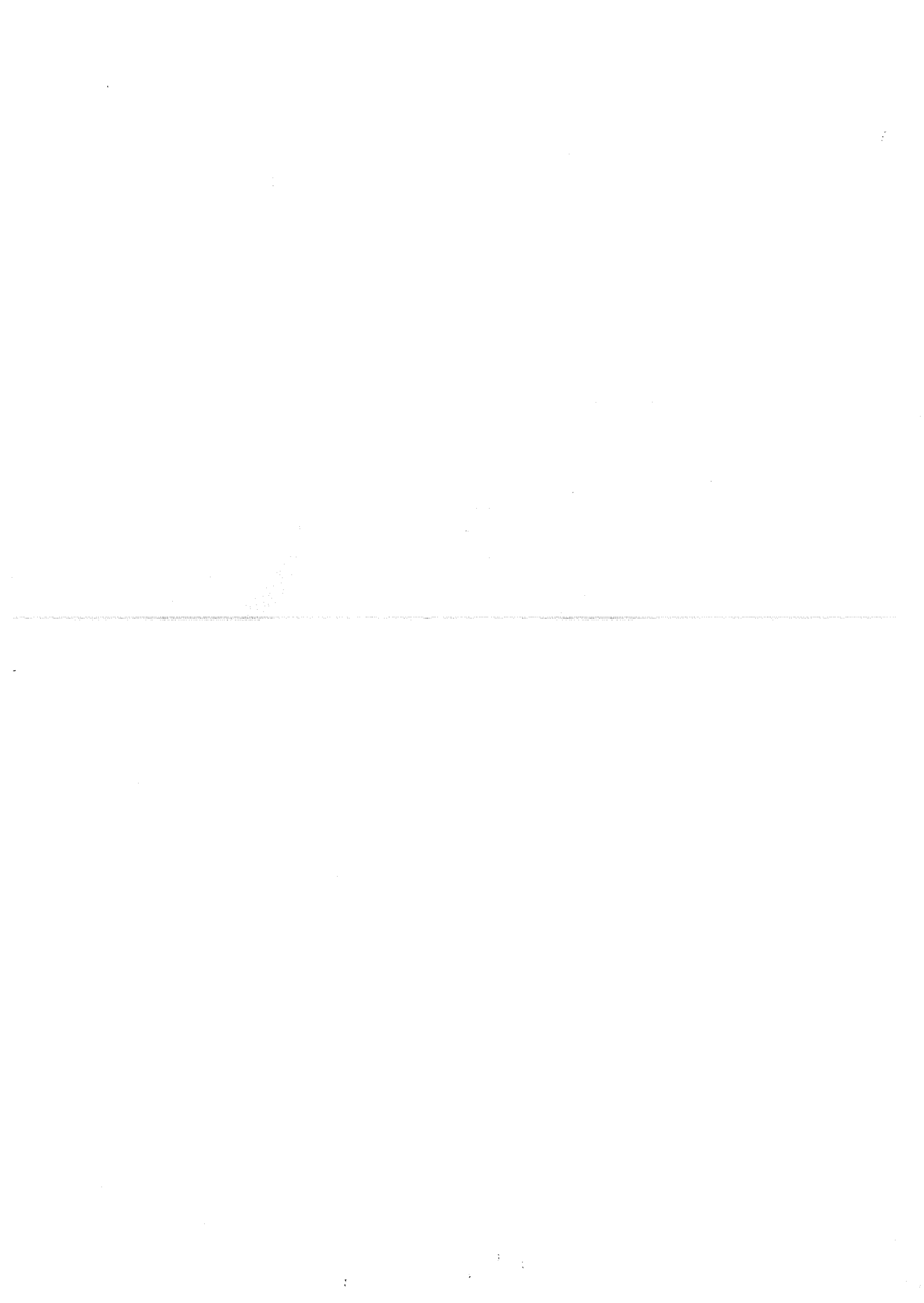
PARTS CATALOGUE



Right Side View



Left Side View

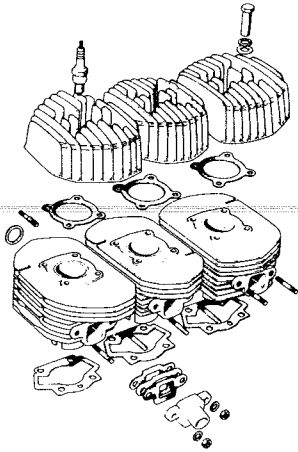




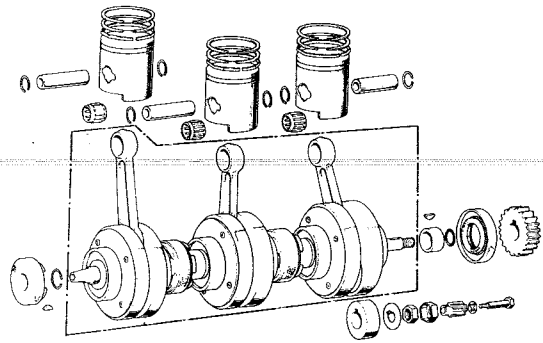
KH500-A8

INDEX

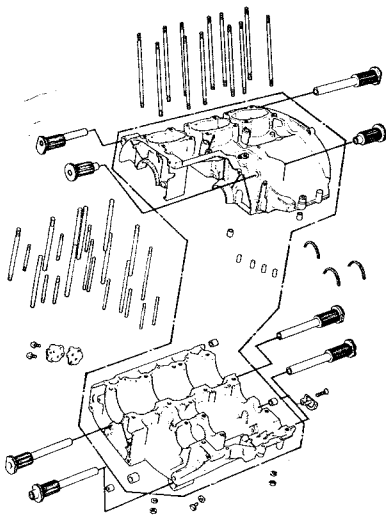
1. Cylinder Head, Cylinder Page 1



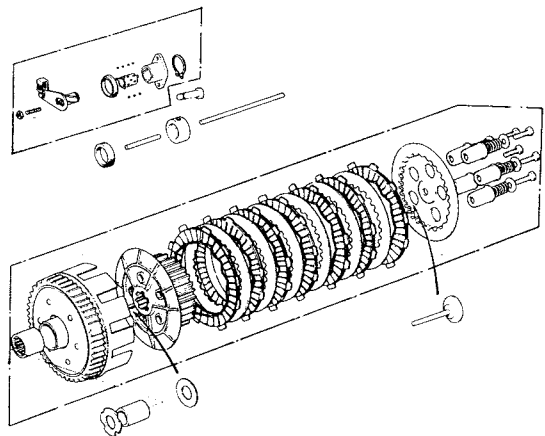
3. Piston, Crankshaft Page 5



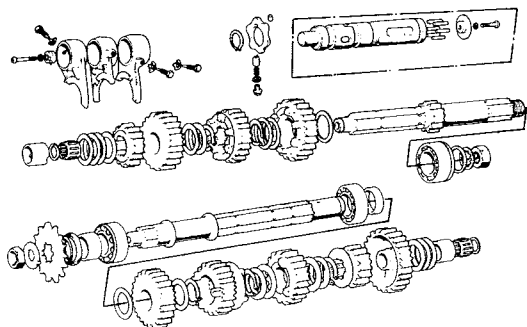
2. Crankcase Page 3



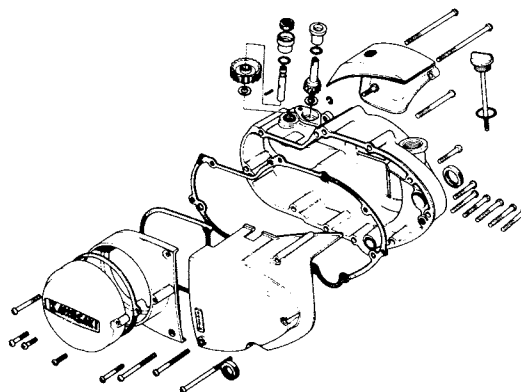
4. Clutch Page 7



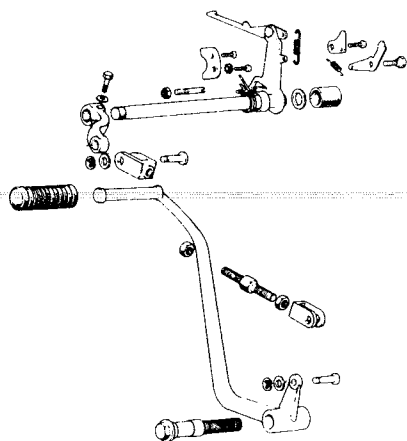
5. Transmission Gears Page 9



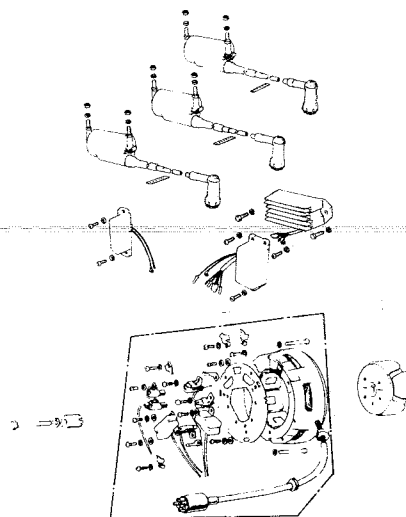
8. Engine Covers Page 17



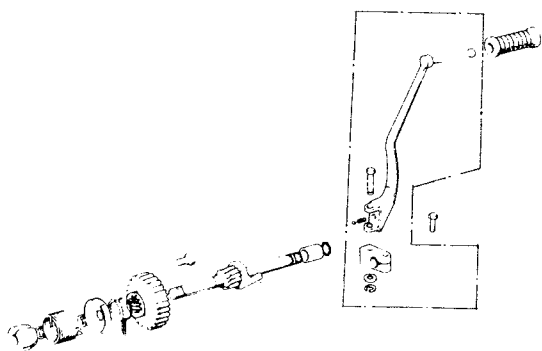
6. Gear Change Mechanism Page 13



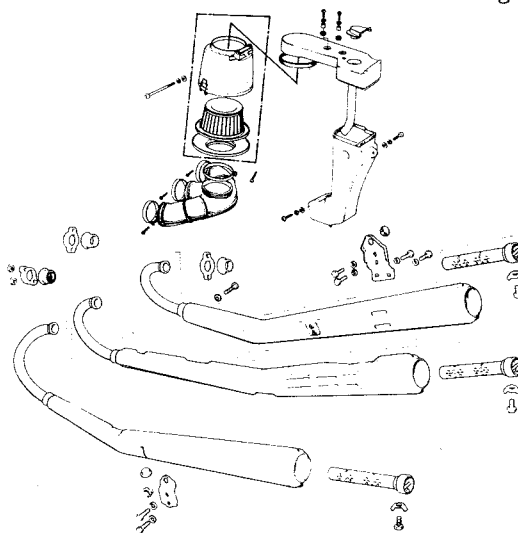
9. Electrical Equipment for Engine .. Page 19



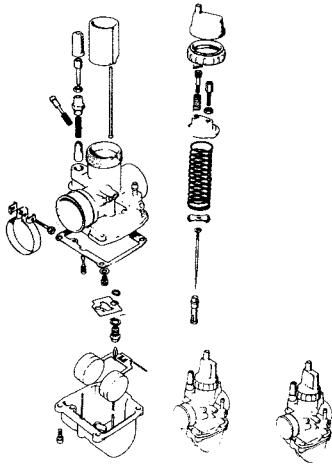
7. Kickstarter Mechanism Page 15



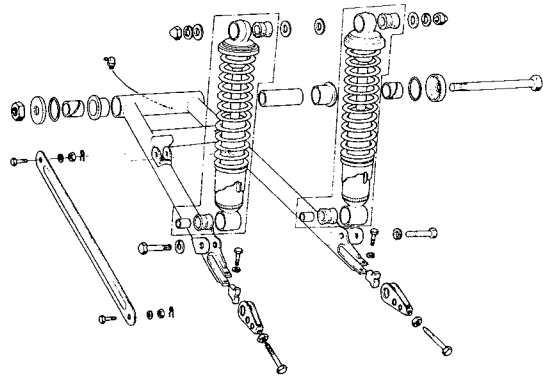
10. Air Cleaner, Mufflers Page 21



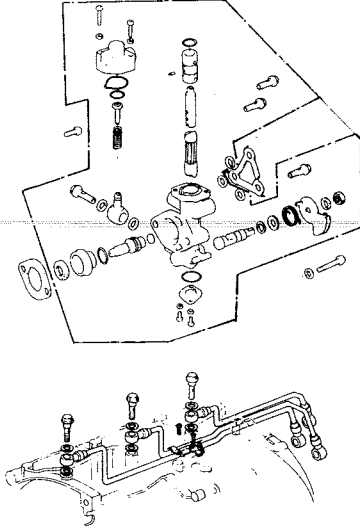
11. Carburetors Page 23



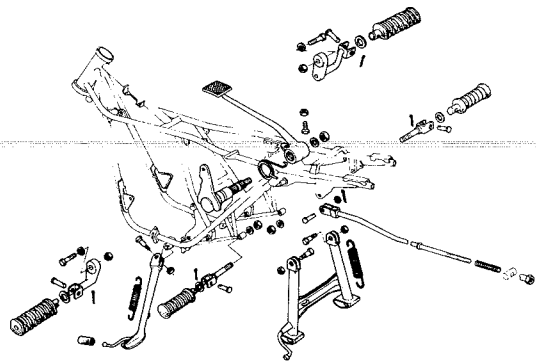
14. Swinging Arm, Rear Shock Absorber Page 31



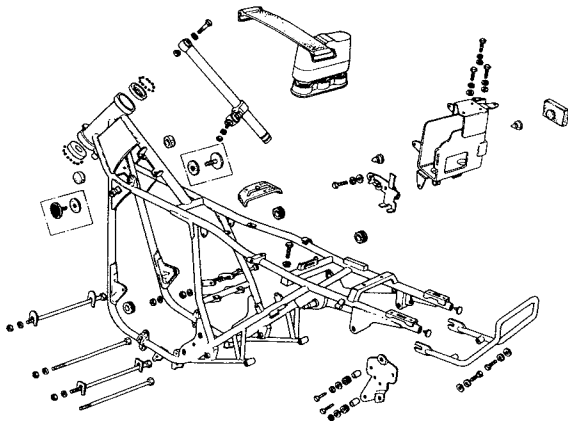
12. Oil Pump Page 25



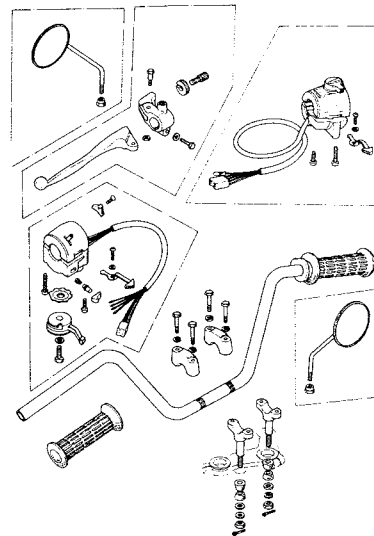
15. Footrests, Stands, Brake Pedal ... Page 33



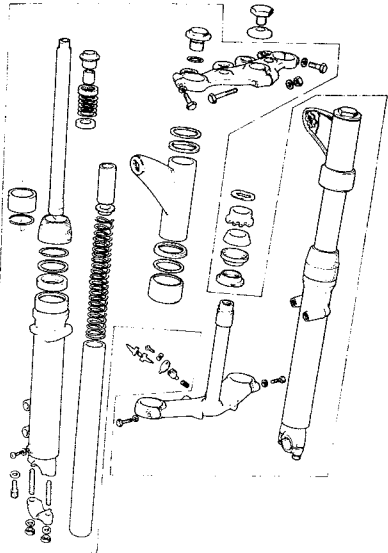
13. Frame Page 27



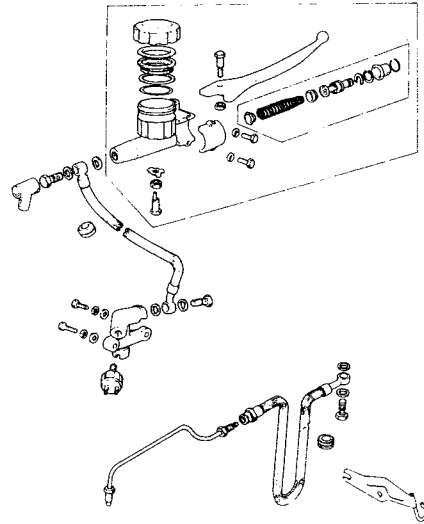
16. Handlebar, Grips Page 35



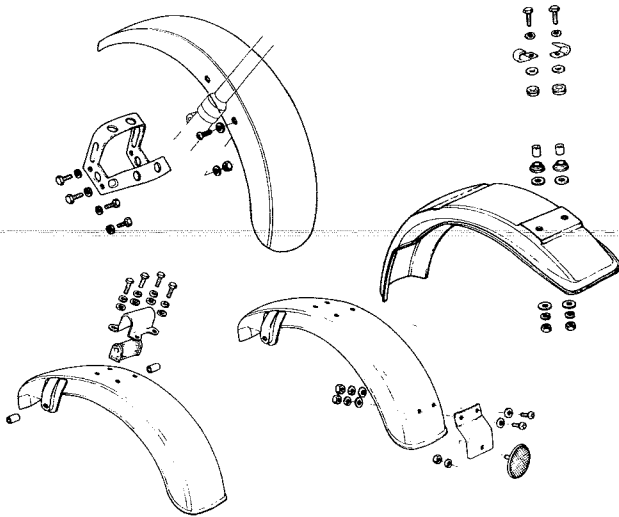
17. Front Fork Page 37



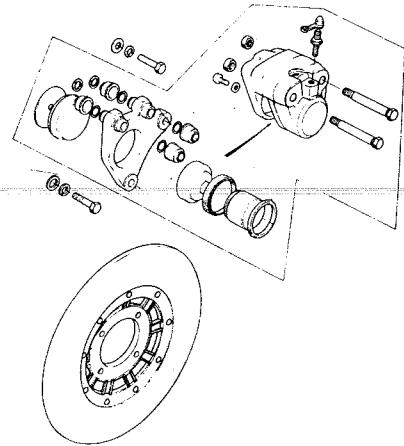
20. Disc Brake Equipment A Page 45



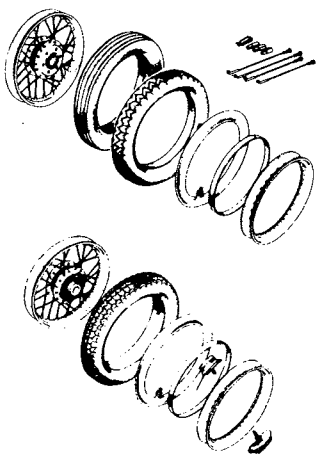
18. Fenders Page 41



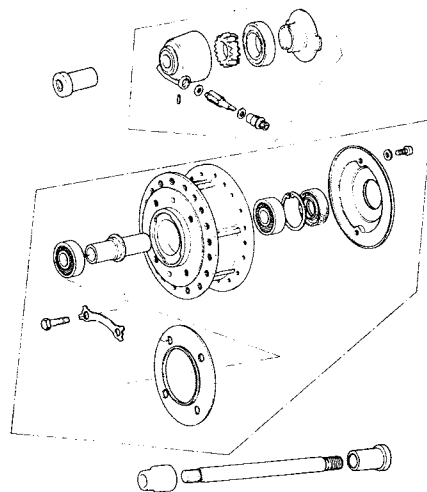
21. Disc Brake Equipment B Page 47



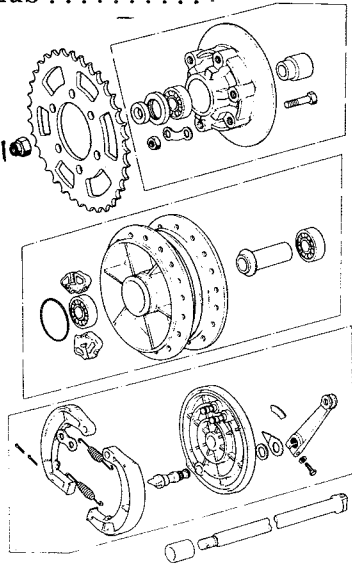
19. Tires, Rims Page 43



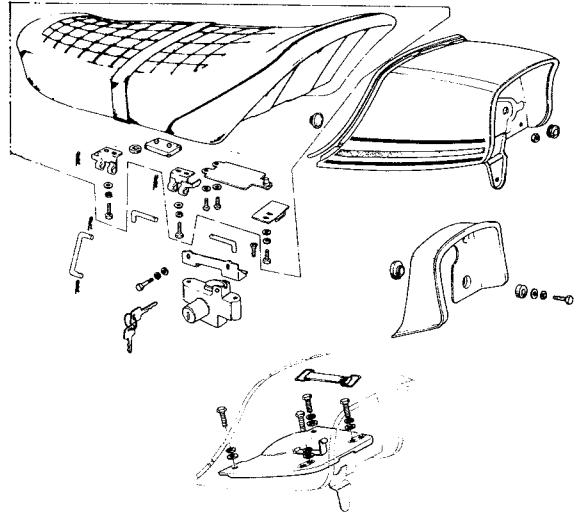
22. Front Hub Page 49



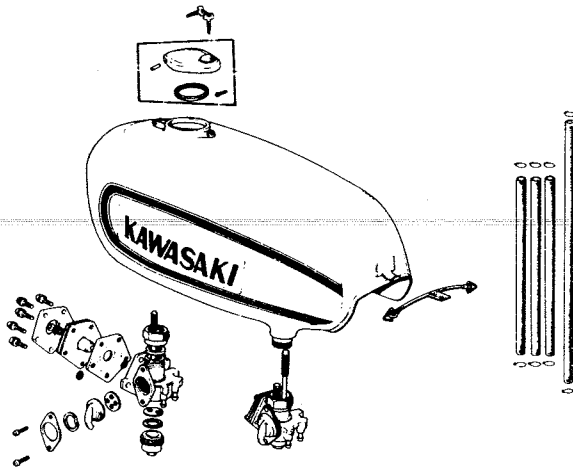
23. Rear Hub Page 51



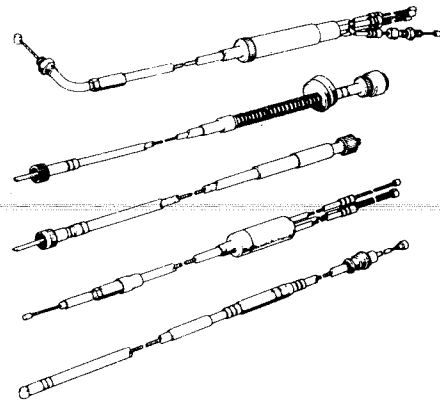
26. Dual Seat Page 59



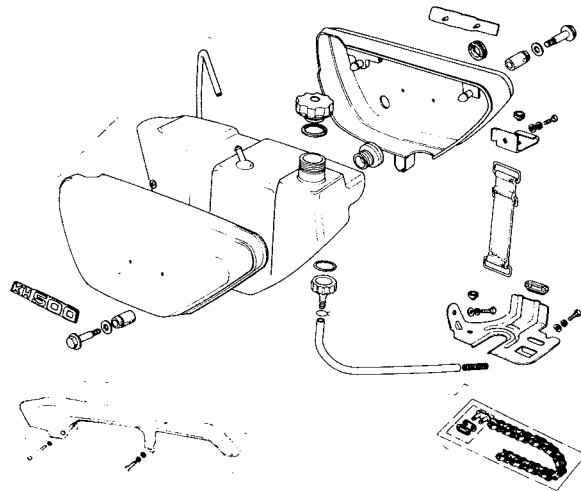
24. Fuel Tank Page 53



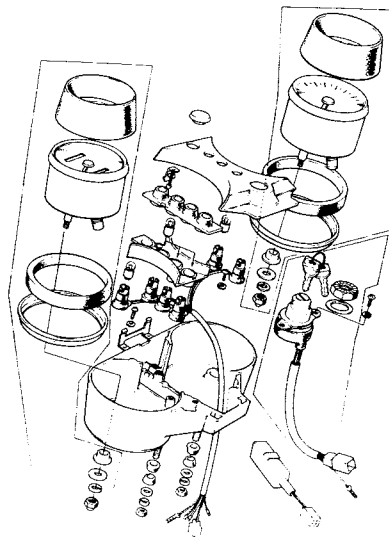
27. Cables Page 63



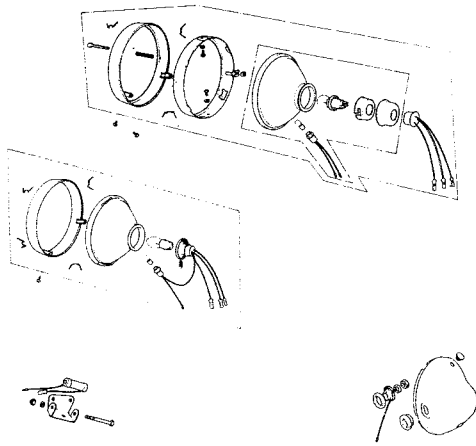
25. Oil Tank, Side Cover, Chain Cover, Chain Page 57



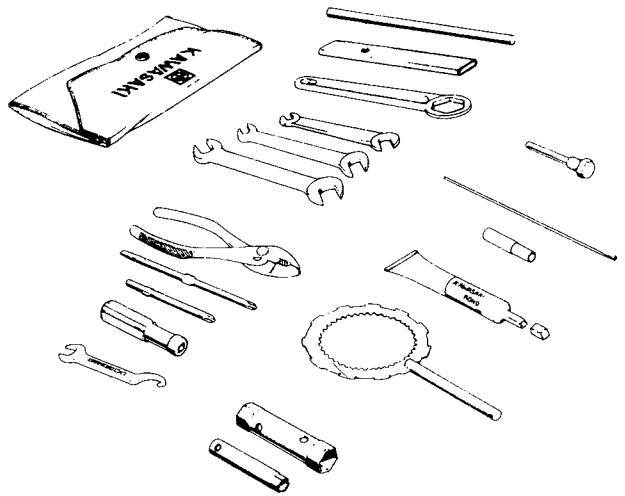
28. Electrical Equipment A Page 65



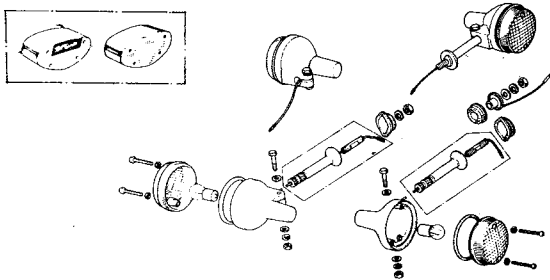
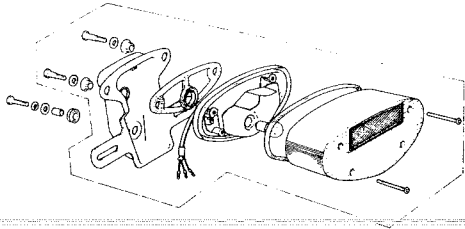
29. Electrical Equipment B Page 69



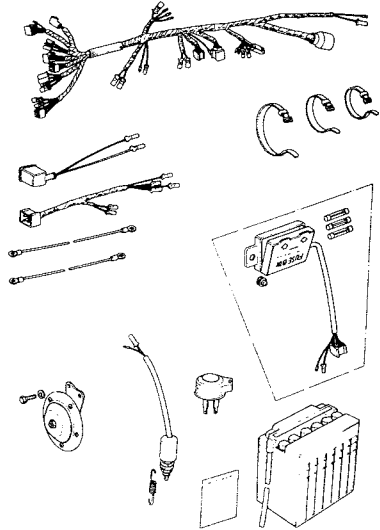
32. Tools, Optional Parts Page 75



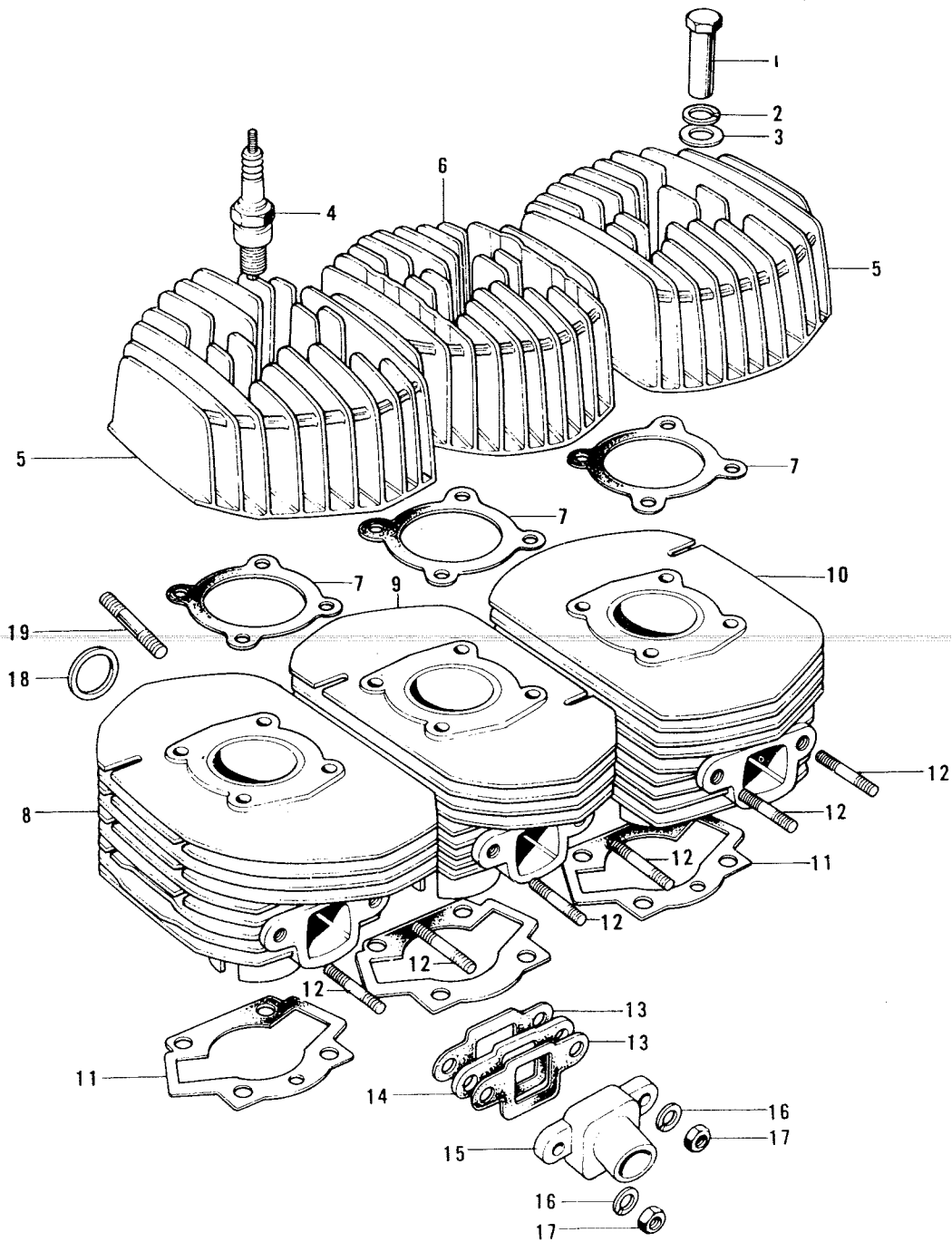
30. Electrical Equipment C Page 71



31. Electrical Equipment D Page 73



1. Cylinder Head, Cylinder



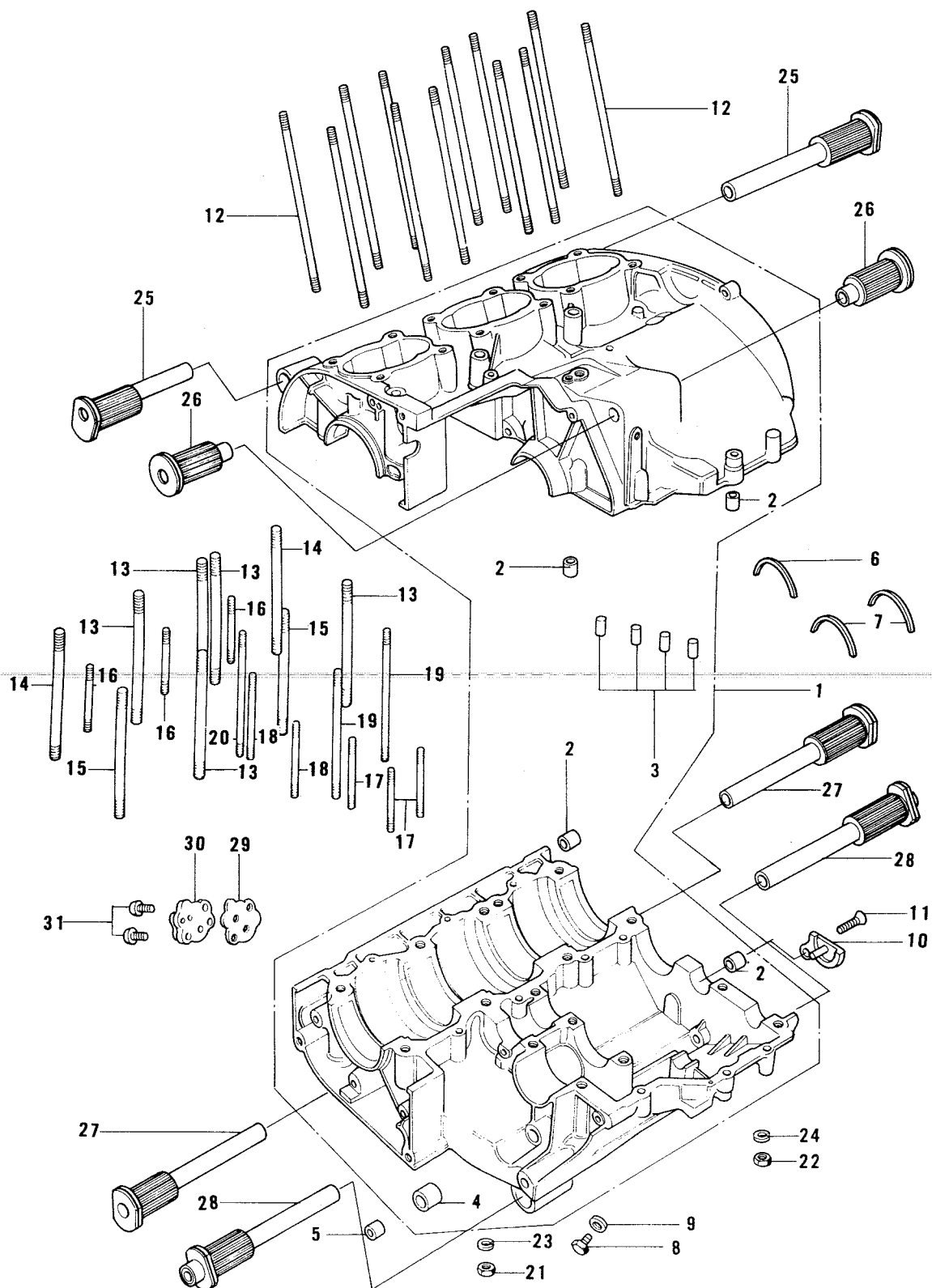
1. Cylinder Head, Cylinder

Ref. No.	Part No.	Part Name	Quantity	Remarks
1	92015-020	NUT, 8 m/m	12	
2	460E1200	WASHER, spring, 12 m/m	12	
3	92022-072	WASHER, plain, 12 m/m	12	
4	92070-036	SPARK PLUG, NGK B-9HS	3	
5	11001-098-2H	CYLINDER HEAD, L.H. & R.H.	2	Barrel
6	11001-099-2H	CYLINDER HEAD, CENTER	1	Barrel
7	11004-048	GASKET, cylinder head	3	
8	11005-122-2H	CYLINDER, L.H.	1	Barrel
9	11005-123-2H	CYLINDER, CENTER	1	Barrel
10	11005-124-2H	CYLINDER, R.H.	1	Barrel
11	11009-019	GASKET, cylinder base	3	
12	172G0820	STUD, 8 x 20	6	
13	16062-011	GASKET, air inlet	6	
14	16061-010	INSULATOR, heat	3	
15	16060-009	INLET PIPE	3	
16	460E0800	WASHER, spring, 8 m/m	6	
17	316B0800	NUT, 8 m/m	6	
18	18067-013	GASKET, exhaust pipe	3	
19	172G0825	STUD, 8 x 25	6	

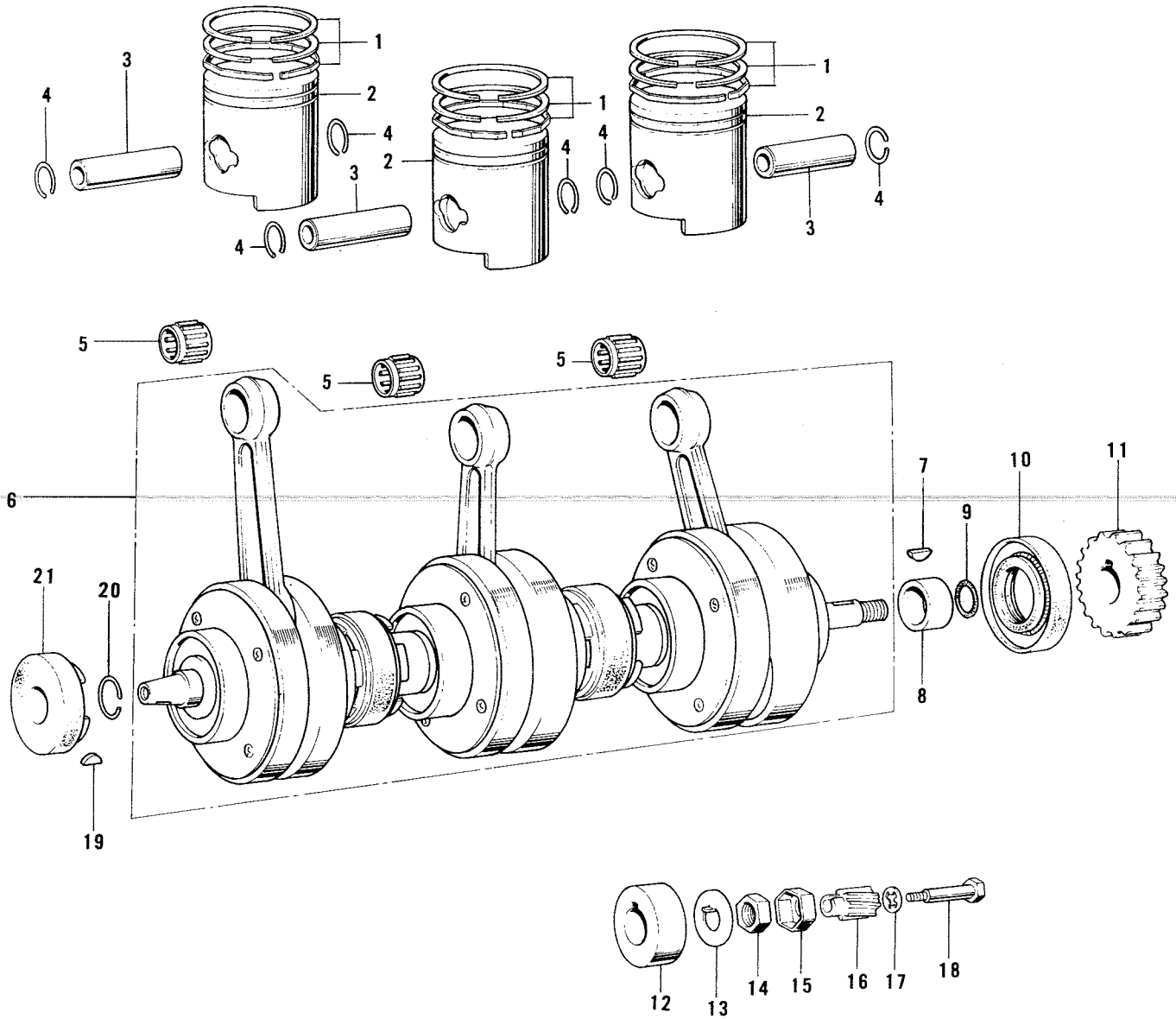
2. Crankcase

Ref. No.	Part No.	Part Name	Quantity	Remarks
1	14001-078	CRANKCASE SET	1	
2	552A1014	PIN, dowel, 10 x 14	4	
3	92042-016	PIN, dowel, 6 m/m	4	
4	92028-071	BUSHING, change pedal shaft	1	
5	92049-004	OIL SEAL, SB12205	1	
6	14013-001	RING, positioning, 62 m/m	1	
7	14013-004	RING, positioning	2	
8	92067-001	PLUG, oil drain	1	
9	92065-011	GASKET, oil drain plug	1	
10	14015-001	RECEIVER, oil	1	
11	211B0616	SCREW, countersunk head, 6 x 16	1	
12	172G0875	STUD, 8 x 75	12	
13	172G1060	STUD, 10 x 60	8	
14	172G1075	STUD, 10 x 75	2	
15	172G1090	STUD, 10 x 90	2	
16	172G0622	STUD, 6 x 22	3	
17	172G0635	STUD, 6 x 35	4	
18	172G0650	STUD, 6 x 50	3	
19	172G0675	STUD, 6 x 75	4	
20	172G0685	STUD, 6 x 85	1	
21	316B1000	NUT, 10 m/m	12	
22	310B0600	NUT, 6 m/m	15	
23	460E1000	WASHER, spring, 10 m/m	12	
24	461E0600	WASHER, spring, 6 m/m	15	
25	14017-012	ABSORBER, front upper	2	
26	14017-013	ABSORBER, rear upper	2	
27	14017-010	ABSORBER, front lower	2	
28	14017-011	ABSORBER, rear lower	2	
29	14051-003	GASKET, check valve	3	
30	16128-008	VALVE, check	3	
31	220B0620	SCREW, pan head, 6 x 20	6	

2. Crankcase



3. Piston, Crankshaft



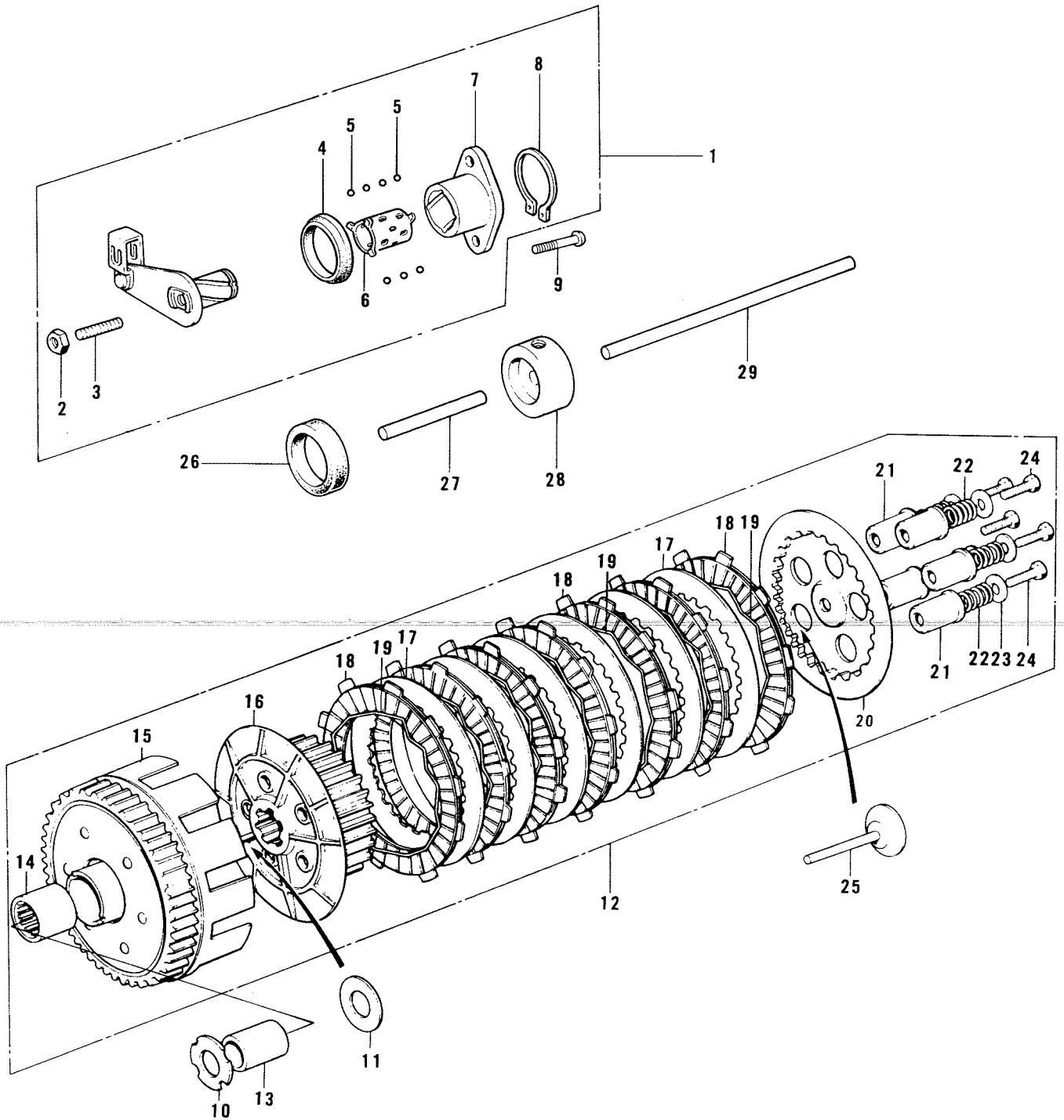
3.. Piston, Crankshaft

Ref. No.	Part No.	Part Name	Quantity	Remarks
1	13008-041	RING SET, piston, STD	1 x 3	
	13025-044	RING SET, piston, 0.020"O/S	(1 x 3)	Option
	13024-048	RING SET, piston, 0.040"O/S	(1 x 3)	Option
2	13001-031	PISTON, STD	1 x 3	
	13029-031	PISTON, 0.020"O/S	(1 x 3)	Option
	13027-031	PISTON, 0.040"O/S	(1 x 3)	Option
3	13002-010	PIN, piston	1 x 3	
4	92036-004	CIRCLIP, piston pin	2 x 3	
5	13033-016	NEEDL BEARING, small end	1 x 3	KTV162022
6	13031-049	CRANK & CONROD ASSY	1	
7	92038-001	WOODRUFF KEY	1	
8	92027-031	COLLAR, R.H. crankshaft	1	
9	92055-018	"O" RING, 22 m/m	1	
10	92050-052	OIL SEAL, TCY326210	1	
11	13121-013	GEAR, primary	1	
12	92027-091	COLLAR	1	
13	92024-015	WASHER, lock, 18 m/m	1	
14	92015-019	NUT, 18 m/m	1	
15	92024-021	WASHER, lock	1	
16	16084-010	PINION, oil pump	1	
17	463H0600	WASHER, lock, 6 m/m	1	
18	92001-060	BOLT, oil pump pinion	1	
19	510A5200	WOODRUFF KEY	1	
20	92036-013	CIRCLIP	1	
21	92050-051	OIL SEAL, TC255210	1	

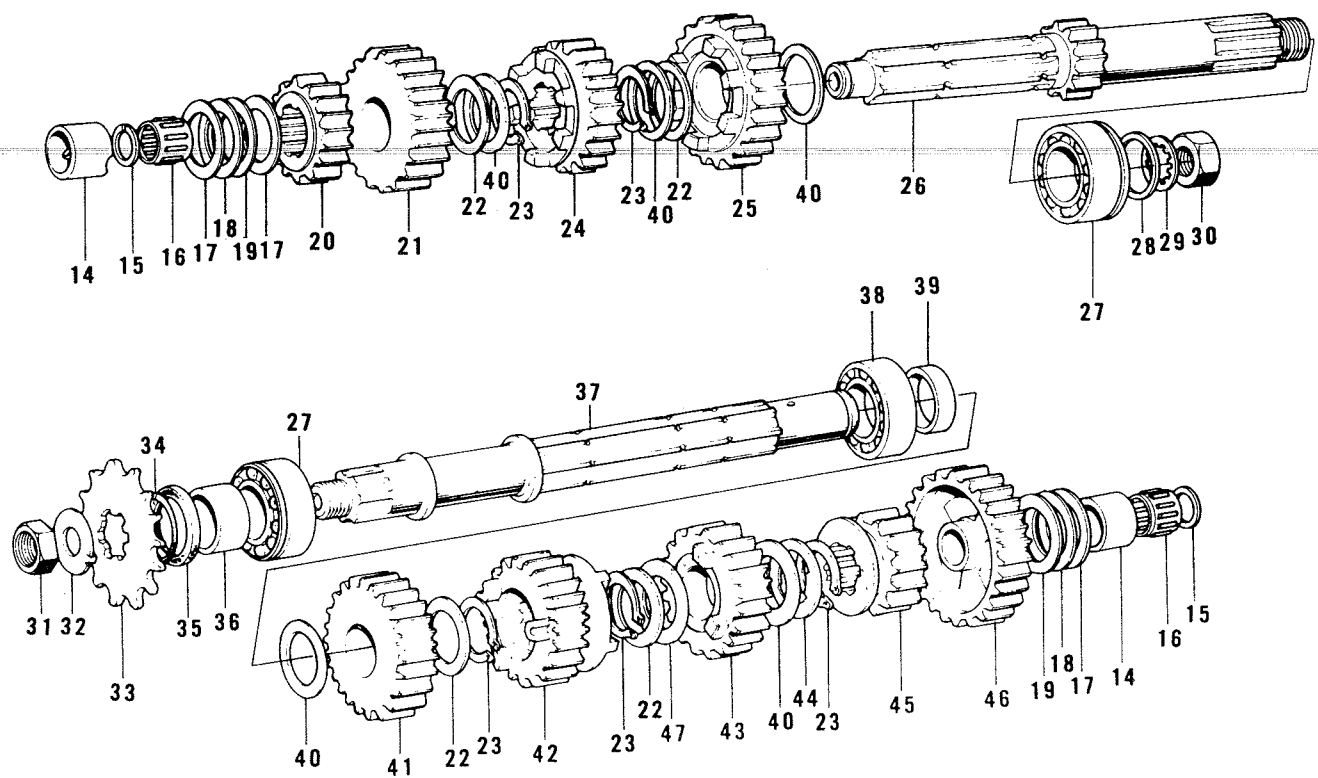
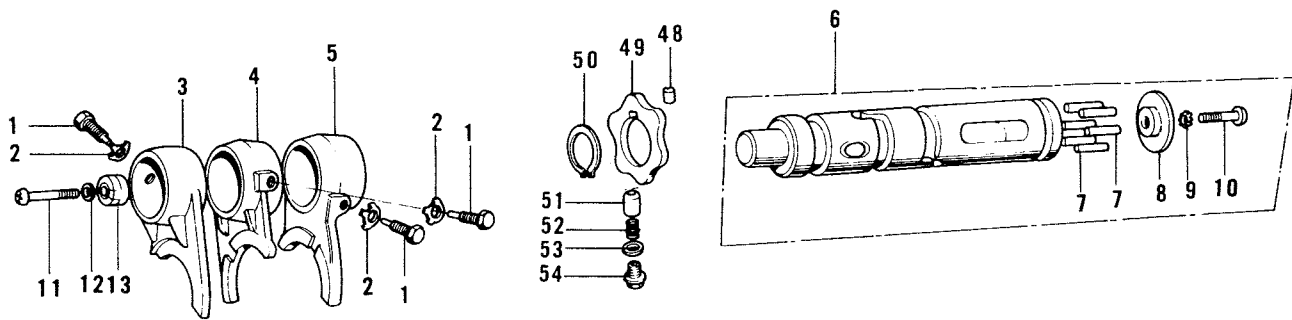
4. Clutch

Ref. No.	Part No.	Part Name	Quantity	Remarks
1	13231-018	RELEASE ASSY, clutch	1	
2	311B0600	NUT, 6 m/m	1	
3	291Z0625	SCREW, slotted, 6 x 25	1	
4	92056-007	OIL SEAL	1	
5	600A0400	BALL, steel, 1/8"	11	
6	13197-006	RETAINER	1	
7	13118-015	OUTER, clutch release	1	
8	480J1500	CIRCLIP, 15 m/m	1	
9	220B0616	SCREW, pan head, 6 x 16	2	
10	92022-119	WASHER, thrust	1	
11	92026-022	WASHER, clutch thrust	1	
12	13081-071	CLUTCH ASSY	1	
13	92028-081	BUSHING	1	
14	92046-004	NEEDLE BEARING	1	
15	13095-018	HOUSING, clutch	1	
16	13087-030	HUB, clutch	1	
17	13089-013	PLATE, clutch steel	6	
18	13088-034	PLATE, clutch friction	7	
19	13229-001	RING, clutch steel	7	
20	13187-005	PLATE, clutch spring	1	
21	13092-005	GUIDE, clutch spring	5	
22	92081-042	SPRING, clutch	5	
23	13091-009	HOLDER, clutch spring	5	
24	110B0618	BOLT, hex head, 6 x 18	5	
25	13116-011	PUSHER, clutch spring plate	1	
26	92050-070	OIL SEAL	1	
27	13116-010	PUSH ROD, clutch short	1	L=49 m/m
28	92028-070	BUSHING, clutch push rod	1	
29	13116-009	PUSH ROD, clutch long	1	L=167.5 m/m

4. Clutch



5. Transmission Gears (1/2)



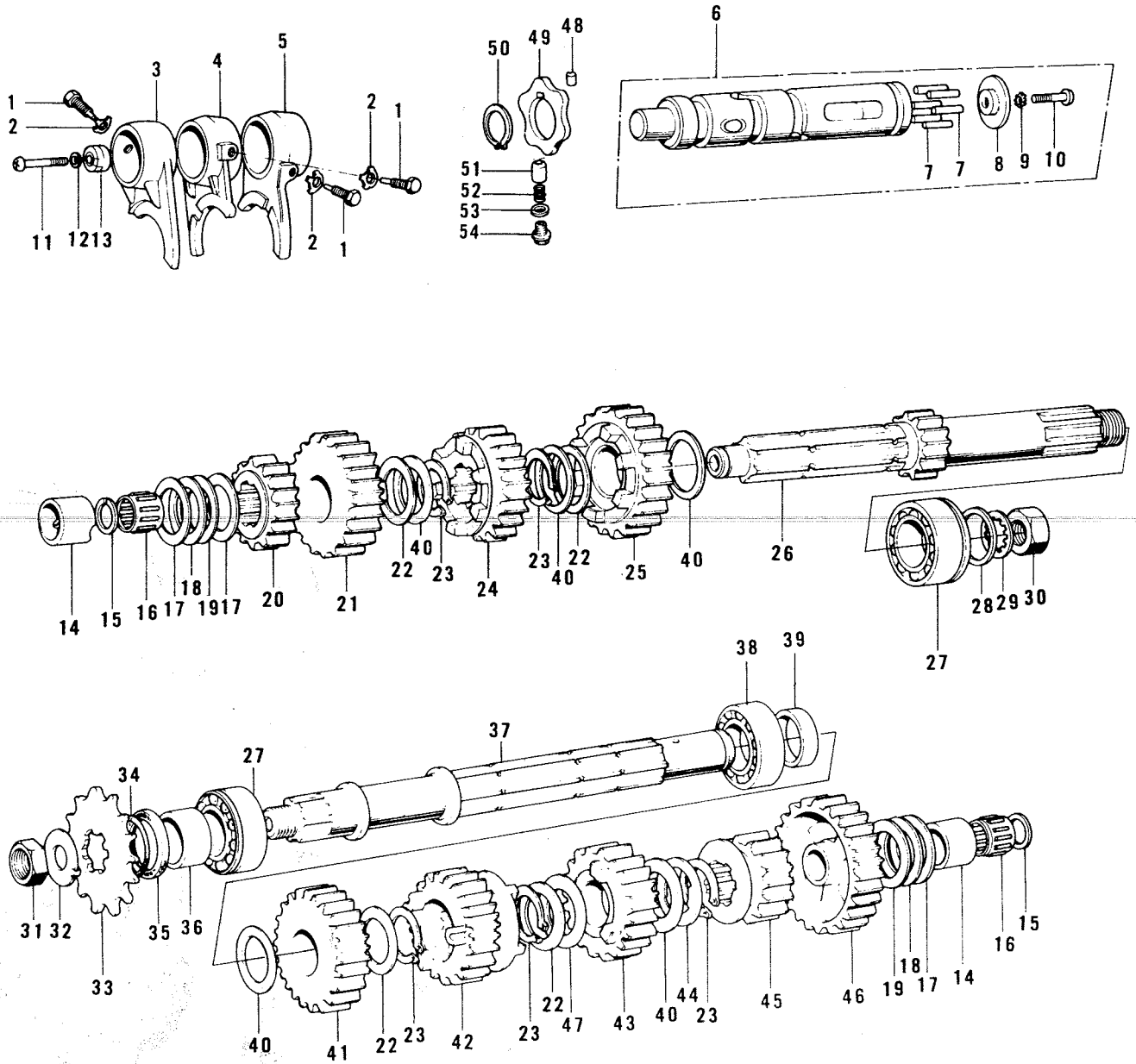
5. Transmission Gears (2/2)

Ref. No.	Part No.	Part Name	Quantity	Remarks
34	92055-035	"O" RING	1	
35	92050-024	OIL SEAL, SC325211	1	
36	92026-027	SPACER, engine sprocket	1	
37	13128-020	SHAFT, output	1	
38	601B6005	BEARING, ball, #6005	1	
39	92027-052	COLLAR	1	
40	92022-159	WASHER, thrust t=0.5 m/m	5	
41	13131-011	2ND GEAR, output shaft	1	28T
42	13135-007	4TH GEAR, output shaft	1	23T
43	13133-015	3RD GEAR, output shaft	1	25T
44	92024-033	WASHER, lock	1	
45	13137-010	TOP GEAR, output shaft	1	21T
46	13129-024	LOW GEAR, output shaft	1	33T
47	92024-072	WASHER, lock	1	
48	610A0406	PIN, dowel, 4 x 6	1	
49	13145-006	DISC, gear change drum operating	1	
50	480J3000	CIRCLIP, 30 m/m	1	
51	92043-076	PIN, neutral positioning	1	
52	92081-112	SPRING, neutral positioning pin	1	
53	92065-090	GASKET	1	
54	92001-131	BOLT, 10 m/m	1	

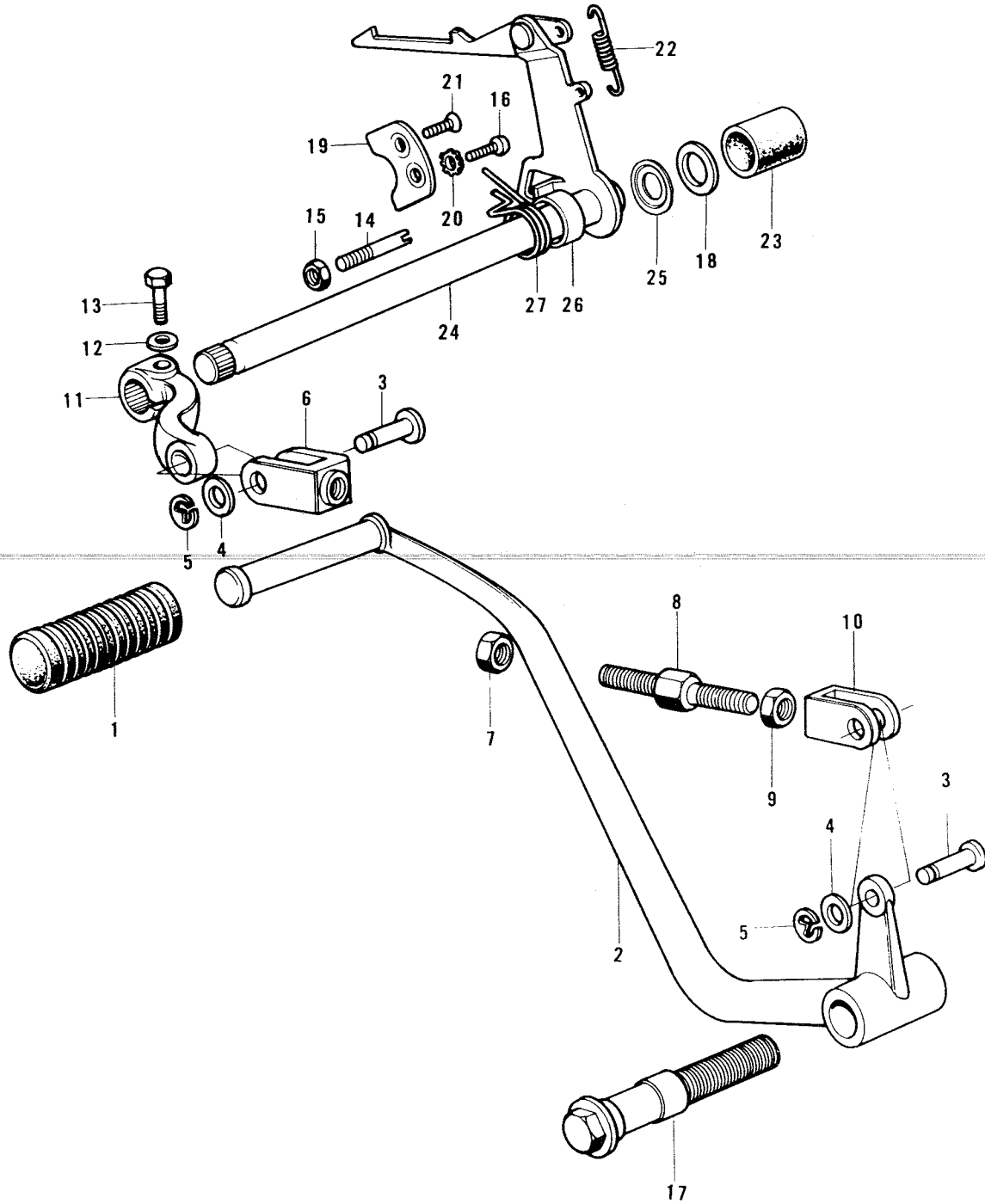
5. Transmission Gears (1/2)

Ref. No.	Part No.	Part Name	Quantity	Remarks
1	92043-016	PIN, selector fork guide	3	
2	92031-001	WASHER, lock, 10 m/m	3	
3	13140-064	SELECTOR FORK, 2ND & 3RD	1	
4	13140-014	SELECTOR FORK, TOP	1	
5	13140-012	SELECTOR FORK, LOW	1	
6	13239-023	DRUM ASSY, gear change	1	
7	92042-014	PIN, gear change drum	6	
8	13142-004	PLATE, gear change drum	1	
9	464H0600	WASHER, lock, 6 m/m	1	
10	220B0614	SCREW, pan head, 6 x 14	1	
11	220B0625	SCREW, pan head, 6 x 25	1	
12	461E0600	WASHER, spring, 6 m/m	1	
13	13147-005	ROTOR, neutral indicator switch	1	
14	92028-073	BUSHING	2	
15	92033-015	CIRCLIP	2	
16	92046-010	NEEDLE BEARING	2	KT202513
17	92022-112	WASHER, thrust t=1.0 m/m	3	Steel
18	92022-223	WASHER, thrust t=1.4 m/m	2	Steel
19	92022-113	WASHER, thrust t=1.0 m/m	2	Phosphor-Bronge
20	13130-017	2ND GEAR, drive shaft	1	20T
21	13134-003	4TH GEAR, drive shaft	1	25T
22	92022-161	WASHER, thrust, 25 m/m $t=1.0mm$	4	
23	92033-026	CIRCLIP, 24 m/m	5	
24	13132-014	3RD GEAR, drive shaft	1	23T
25	13136-041	TOP GEAR, drive shaft	1	26T
26	13127-019	SHAFT, drive	1	15T
27	92045-010	BALL BEARING, #6205NX3C3	2	
28	92022-114	WASHER, thrust	1	
29	463G2000	WASHER, lock, 20 m/m	1	
30	92016-028	NUT, 20 m/m	1	
31	92015-019	NUT, 18 m/m	1	
32	92024-067	WASHER, lock, 18 m/m	1	
33	13144-036	ENGINE SPROCKET, 167	1	STD
	13144-035	ENGINE SPROCKET, 14T	(1)	} Option
	13144-030	ENGINE SPROCKET, 15T	(1)	

5. Transmission Gears (2/2)



6. Gear Change Mechanism



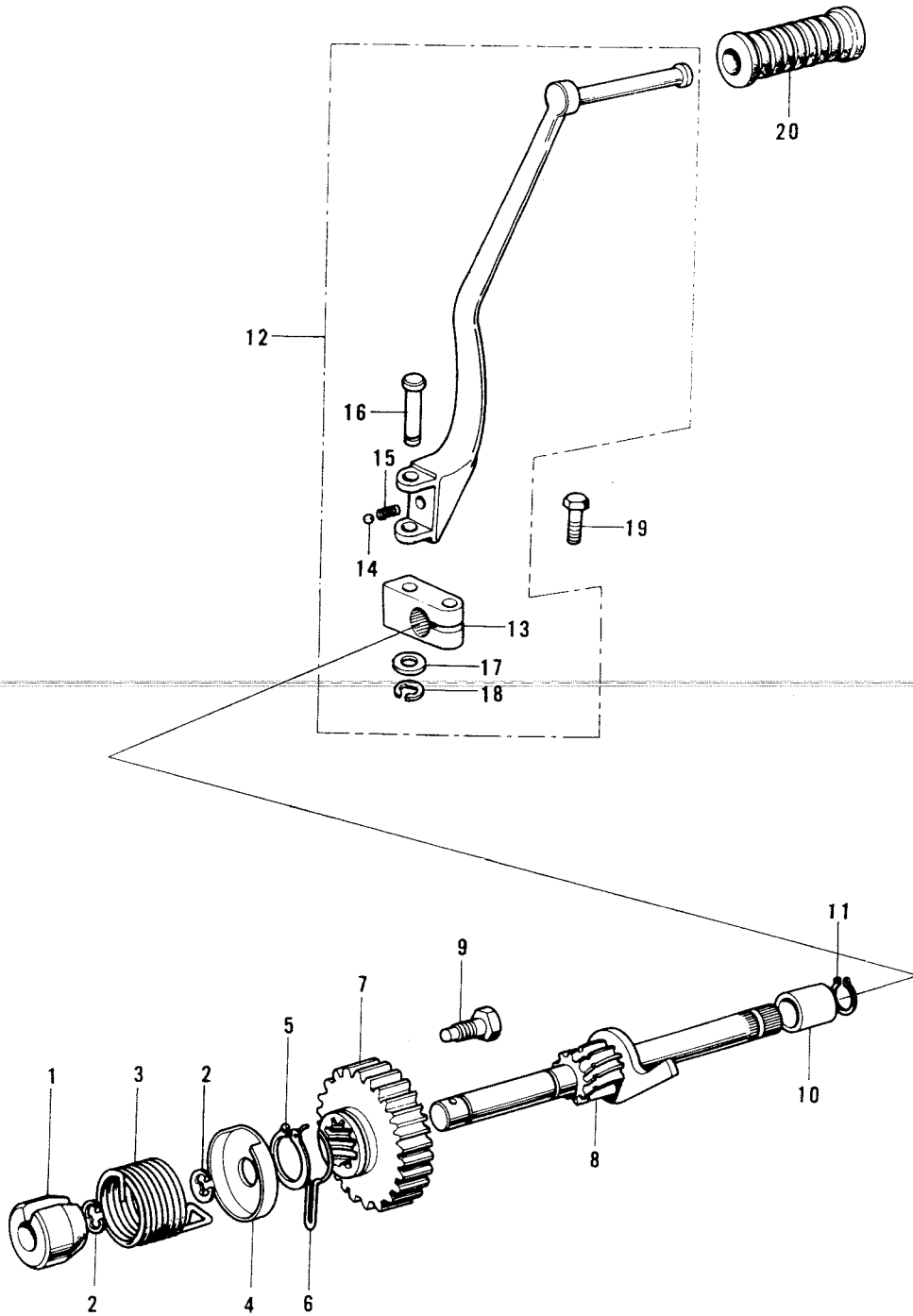
6. Gear Change Mechanism

Ref. No.	Part No.	Part Name	Quantity	Remarks
1	13157-004	RUBBER, gear change pedal	1	
2	13242-011	PEDAL, gear change	1	
3	92043-069	PIN	2	
4	92022-203	WASHER, plain, 8 m/m	2	
5	482K5000	CIRCLIP, 5 m/m	2	
6	13159-008	CONNECTOR B	1	"A" Mark
7	92017-010	NUT, 8 m/m (Counterclockwise thread)	1	
8	92003-115	ROD	1	
9	318N0800	NUT, 8 m/m	1	
10	13159-007	CONNECTOR A (Clockwise thread)	1	
11	13158-011	LEVER, gear change pedal	1	
12	461E0800	WASHER, spring, 8 m/m	1	
13	110B0822	BOLT, hex head, 8 x 22	1	
14	92043-009	PIN, gear change pedal return spring	1	
15	312B0800	NUT, 8 m/m	1	
16	220B0616	SCREW, pan head, 6 x 16	1	
17	92003-117	BOLT, gear change pedal fitting	1	
18	92022-150	WASHER, plain	1	
19	13169-005	PLATE, gear change drum positioning	1	
20	464H0600	WASHER, lock, 6 m/m	1	
21	212B0616	SCREW, countersunk head, 6 x 16	1	
22	92081-151	SPRING, gear change lever	1	
23	13080-004	RUBBER CAP	1	
24	13161-045	LEVER ASSY, gear change	1	
25	92026-068	SPACER	1	
26	92027-121	COLLAR, gear change lever boss	1	
27	92083-002	SPRING, gear change pedal return	1	

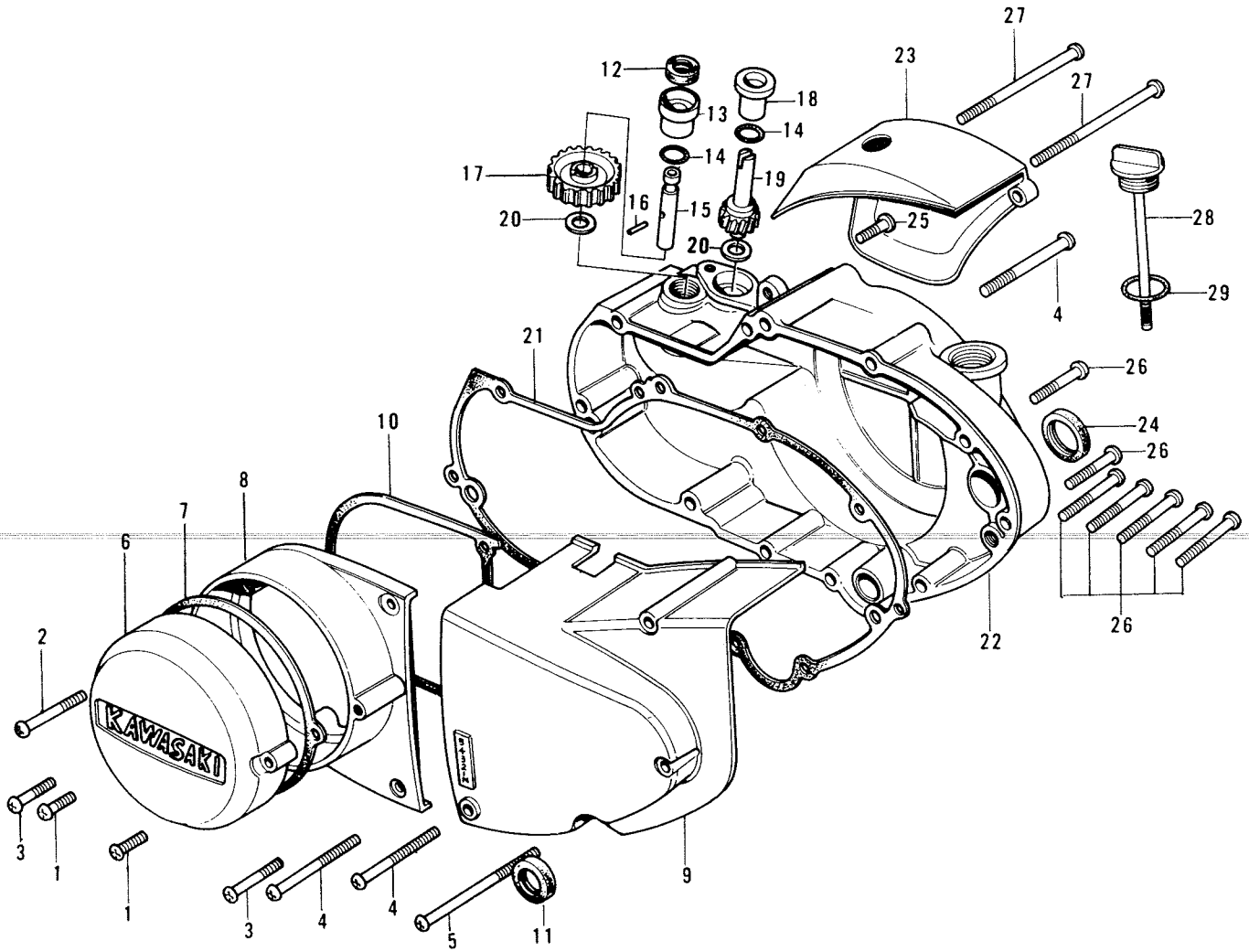
7. Kickstarter Mechanism

Ref. No.	Part No.	Part Name	Quantity	Remarks
1	13070-001	GUIDE, kickstarter spring	1	
2	482J0100	CIRCLIP, 10 m/m	2	
3	92081-021	SPRING, kickstarter	1	
4	13071-003	PLATE, kickstarter spring holder	1	
5	480J2600	CIRCLIP, 26 m/m	1	
6	13077-002	HOLDER, kickstarter gear	1	
7	13068-015	GEAR, kickstarter	1	
8	13245-009	SHAFT, kickstarter	1	
9	13072-006	STOPPER, kickstarter	1	
10	92028-072	BUSHING	1	
11	480J1600	CIRCLIP, 16 m/m	1	
12	13064-016	PEDAL, kickstarter	1	
13	13061-020	BOSS, kickstarter pedal	1	
14	600A0800	STEEL BALL, 1/4"	1	
15	92081-020	SPRING, kickstarter pedal	1	
16	92043-075	PIN, kickstarter	1	
17	410B0800	WASHER, plain, 8 m/m	1	
18	482K5000	CIRCLIP, 5 m/m	1	
19	92001-101	BOLT, hex head, 10 x 25	1	
20	13063-004	RUBBER, kickstarter pedal	1	

7. Kickstarter Mechanism



8. Engine Covers



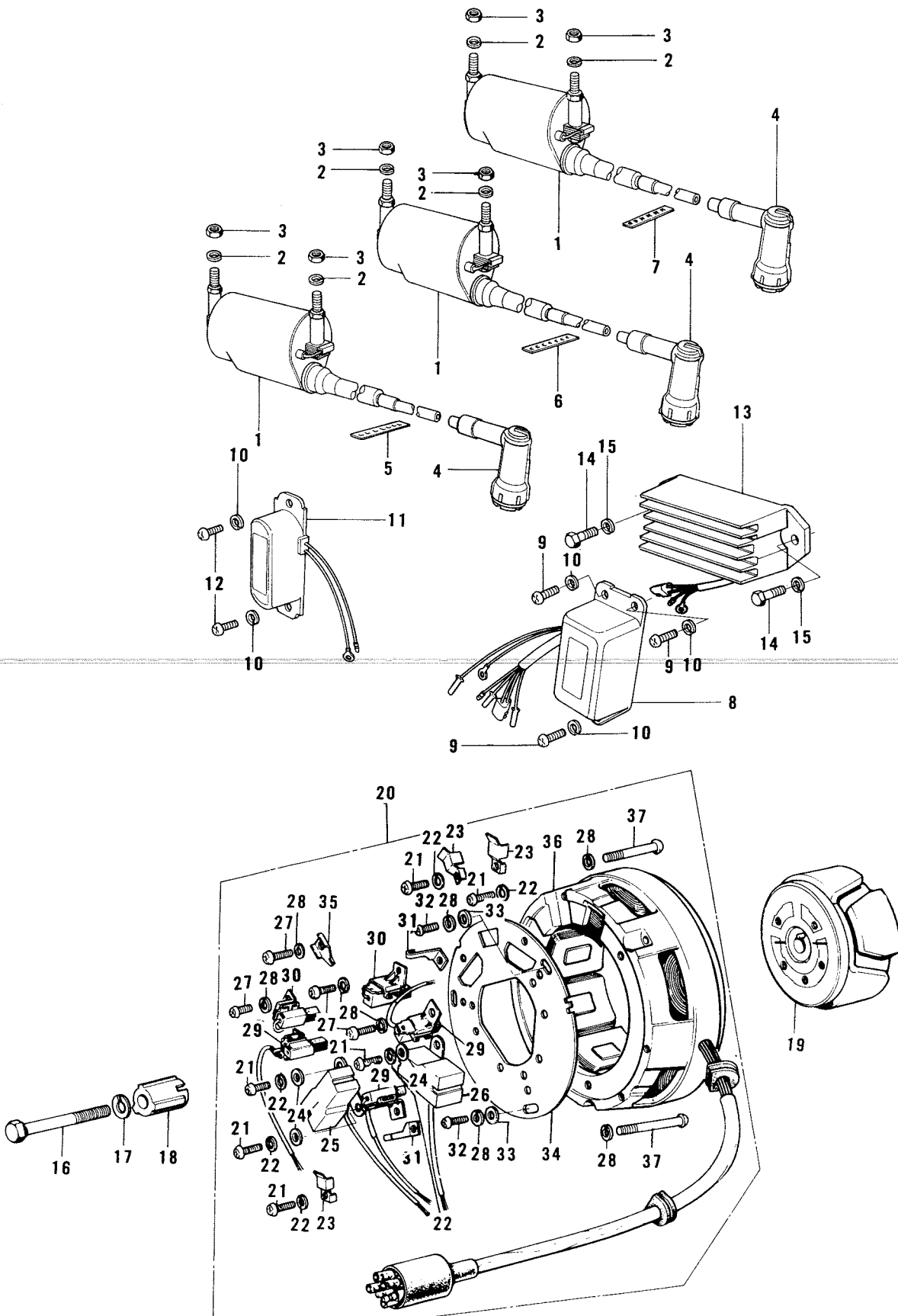
8. Engine Covers

Ref. No.	Part No.	Part Name	Quantity	Remarks
1	220B0620	SCREW, pan head, 6 x 20	2	
2	220B0645	SCREW, pan head, 6 x 45	1	
3	220B0635	SCREW, pan head, 6 x 35	2	
4	220B0655	SCREW, pan head, 6 x 55	3	
5	220B0685	SCREW, pan head, 6 x 85	1	
6	14027-016-80	COVER, contact breaker	1	Buff Finish
7	14050-008	GASKET, contact breaker cover	1	
8	14031-060-80	COVER, L.H. engine	1	Buff Finish
9	14026-034-80	COVER, chain case	1	Buff Finish
10	14045-012	GASKET, L.H. engine cover	1	
11	92049-004	OIL SEAL, SB11205	1	
12	92054-004	OIL SEAL, TC7144	1	
13	92028-075	BUSHING, tachometer gear	1	
14	92055-025	"O" RING	2	
15	13226-004	SHAFT, tachometer gear	1	
16	92042-015	DOWEL PIN	1	
17	13224-005	GEAR, tachometer	1	35T
18	92028-074	BUSHING, oil pump gear	1	
19	16085-011	GEAR, oil pump	1	
20	92026-026	WASHER, thrust	2	
21	14046-014	GASKET, R.H. engine cover	1	
22	14032-097-80	COVER, R.H. engine	1	Buff Finish
23	14030-036-80	COVER, oil pump	1	Buff Finish
24	92049-002	OIL SEAL, SB16244	1	
25	220B0625	SCREW, pan head, 6 x 25	1	
26	220B0630	SCREW, pan head, 6 x 30	7	
27	220B06100	SCREW, pan head, 6 x 100	2	
28	16115-017	PLUG, oil filler	1	
29	670B2020	"O" RING, 20 m/m	1	

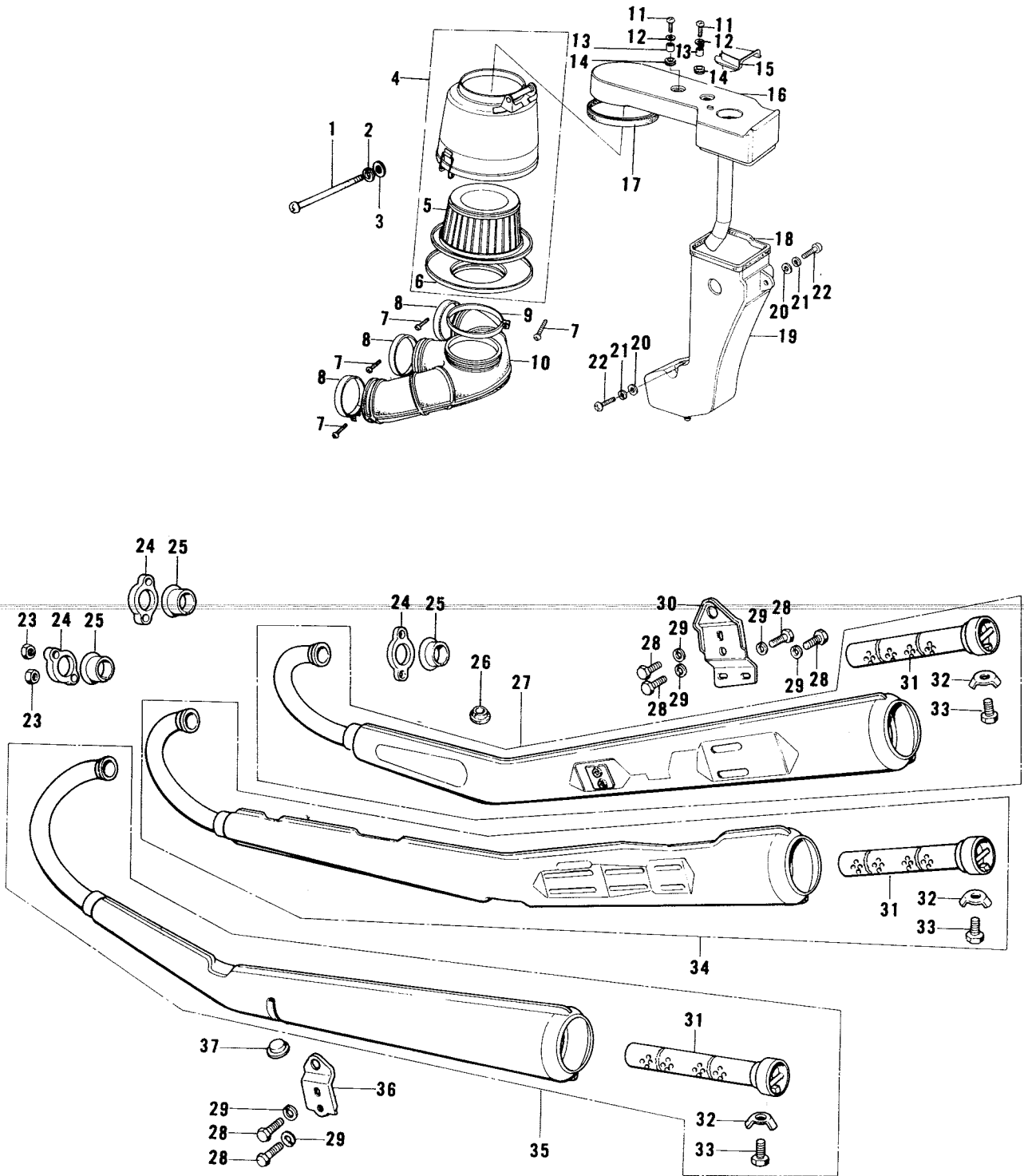
9. Electrical Equipment for Engine

Ref. No.	Part No.	Part Name	Quantity	Remarks
1	21121-087	COIL, ignition	3	
2	461F0600	WASHER, spring, 6 m/m	6	
3	310B0600	NUT, 6 m/m	6	
4	21130-023	CAP, spark plug	3	
5	21168-001	LABEL, left	1	
6	21168-002	LABEL, center	1	
7	21168-003	LABEL, right	1	
8	21119-025	IGNITION UNT A	1	
9	220B0512A	SCREW, pan head, 5 x 12	3	
10	461F0500	WASHER, spring, 5 m/m	5	
11	21119-019	IGNITION UNIT B	1	
12	220B0512A	SCREW, pan head, 5 x 12	2	
13	21072-008	REGULATOR	1	
14	110B0618	BOLT, hex head, 6 x 18	2	
15	461F0600	WASHER, spring, 6 m/m	2	
16	110B0870	BOLT, hex head, 8 x 70	1	
17	461F0800	WASHER, spring, 8 m/m	1	
18	21007-027	S.G. ROTOR	1	
19	21007-028	ROTOR	1	
20	21076-022	YOKE ASSY	1	
21	220B0408A	SCREW, pan head, 4 x 8	8	
22	461F0400	WASHER, spring, 4 m/m	8	
23	21098-010	CLAMP, lead wire	4	
24	411B0400	WASHER, plain, 4 m/m	4	
25	21152-004	PICK UP	1	"1" MARK
26	21152-005	PICK UP	1	"2" MARK
27	220B0506A	SCREW, pan head, 5 x 6	6	
28	461F0500	WASHER, spring, 5 m/m	12	
29	21088-013	BRUSH, carbon	3	
30	21088-014	BRUSH, carbon	2	
31	21098-011	CLAMP, carbon brush wire	3	
32	220B0512A	SCREW, pan head, 5 x 12	3	
33	410B0500	WASHER, plain, 5 m/m	3	
34	21155-007	PLATE, yoke	1	
35	21020-003	POINTER, ignition timing	1	
36	21003-033	STATOR	1	
37	220B0550A	SCREW, pan head, 5 x 50	3	

9. Electrical Equipment for Engine



10. Air Cleaner, Mufflers



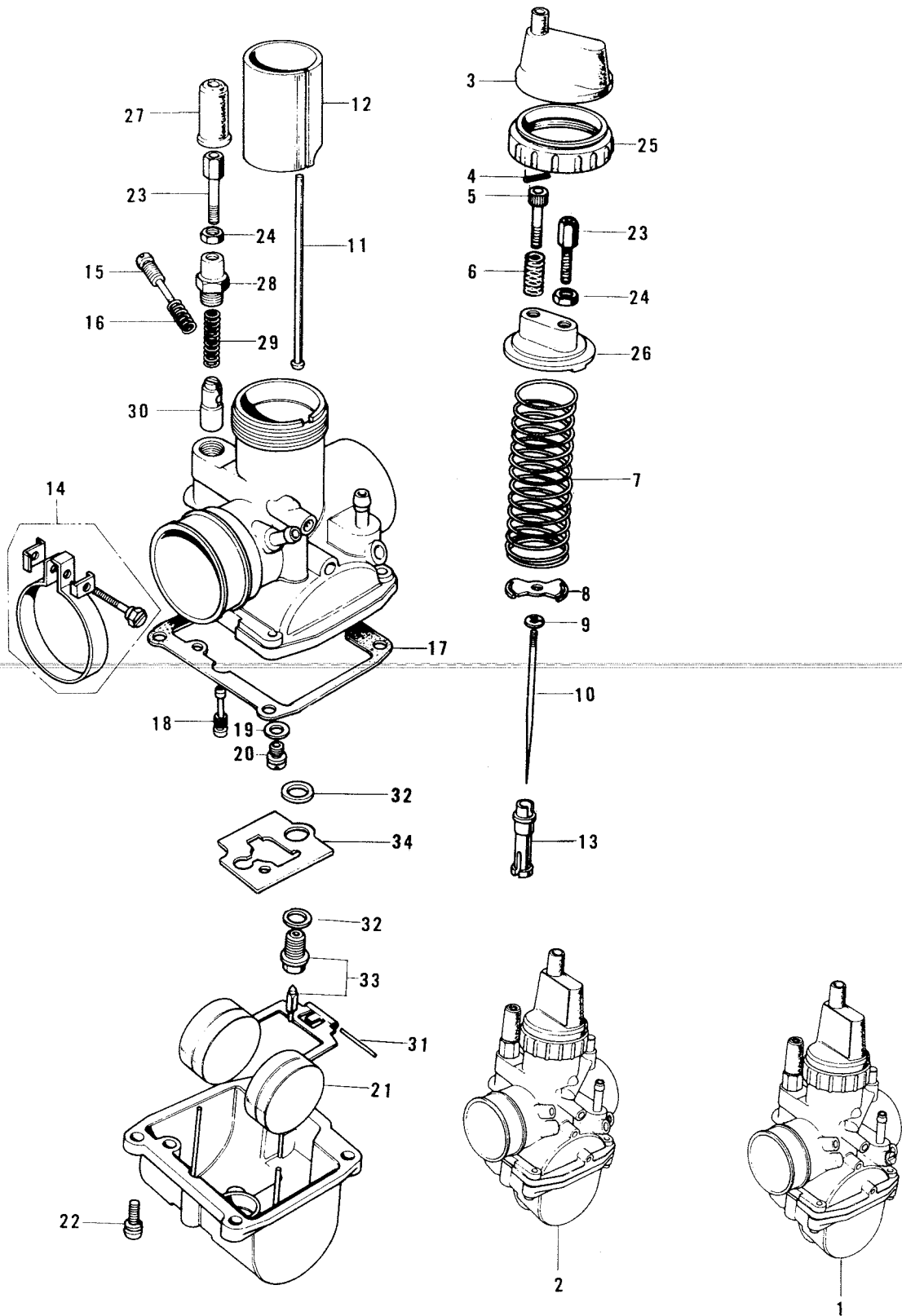
10. Air Cleaner, Mufflers

Ref. No.	Part No.	Part Name	Quantity	Remarks
1	220B06110	SCREW, pan head, 6 x 110	1	
2	461F0600	WASHER, spring, 6 m/m	1	
3	410B0600	WASHER, plain, 6 m/m	1	
4	11010-097	AIR CLEANER ASSY	1	
5	11013-057	ELEMENT, air cleaner	1	
6	11012-011	CAP, air cleaner	1	
7	92011-033	SCREW, pan head, 6 x 35	4	
8	92037-109	CLAMP, air cleaner	3	
9	92037-035	CLAMP, air cleaner	1	
10	11015-033	PIPE, air inlet	1	
11	220B0645	SCREW, pan head, 6 x 45	2	
12	92022-125	WASHER, plain	2	
13	92027-149	COLLAR	2	
14	92075-118	DAMPER RUBBER	2	
15	11012-062	CAP, air cleaner	1	
16	11012-061	SILENCER, air cleaner	1	
17	11017-009	GASKET	1	
18	11017-013	GASKET, air cleaner body	1	
19	11011-056	BODY, air cleaner	1	
20	92022-024	WASHER, plain	2	
21	461F0600	WASHER, spring, 6 m/m	2	
22	110B0616	BOLT, hex head, 6 x 16	2	
23	316B0800	NUT, 8 m/m	6	
24	18069-049	HOLDER, exhaust	3	
25	18070-007	INSERT, exhaust holder	3	
26	92075-006	DAMPER RUBBER	1	
27	18001-179	MUFFLER ASSY, R.H.	1	
28	110B0814	BOLT, hex head, 8 x 14	6	
29	461F0800	WASHER, spring, 8 m/m	6	
30	18061-050	BRACKET, muffler, R.H.	1	
31	18033-064	BAFFLE TUBE	3	
32	92024-016	WASHER, lock	3	
33	110B0612	BOLT, hex head, 6 x 12	3	
34	18001-178	MUFFLER ASSY, CENTER	1	
35	18001-177	MUFFLER ASSY, L.H.	1	
36	18061-049	BRACKET, muffler, L.H.	1	
37	92075-015	DAMPER RUBBER	1	

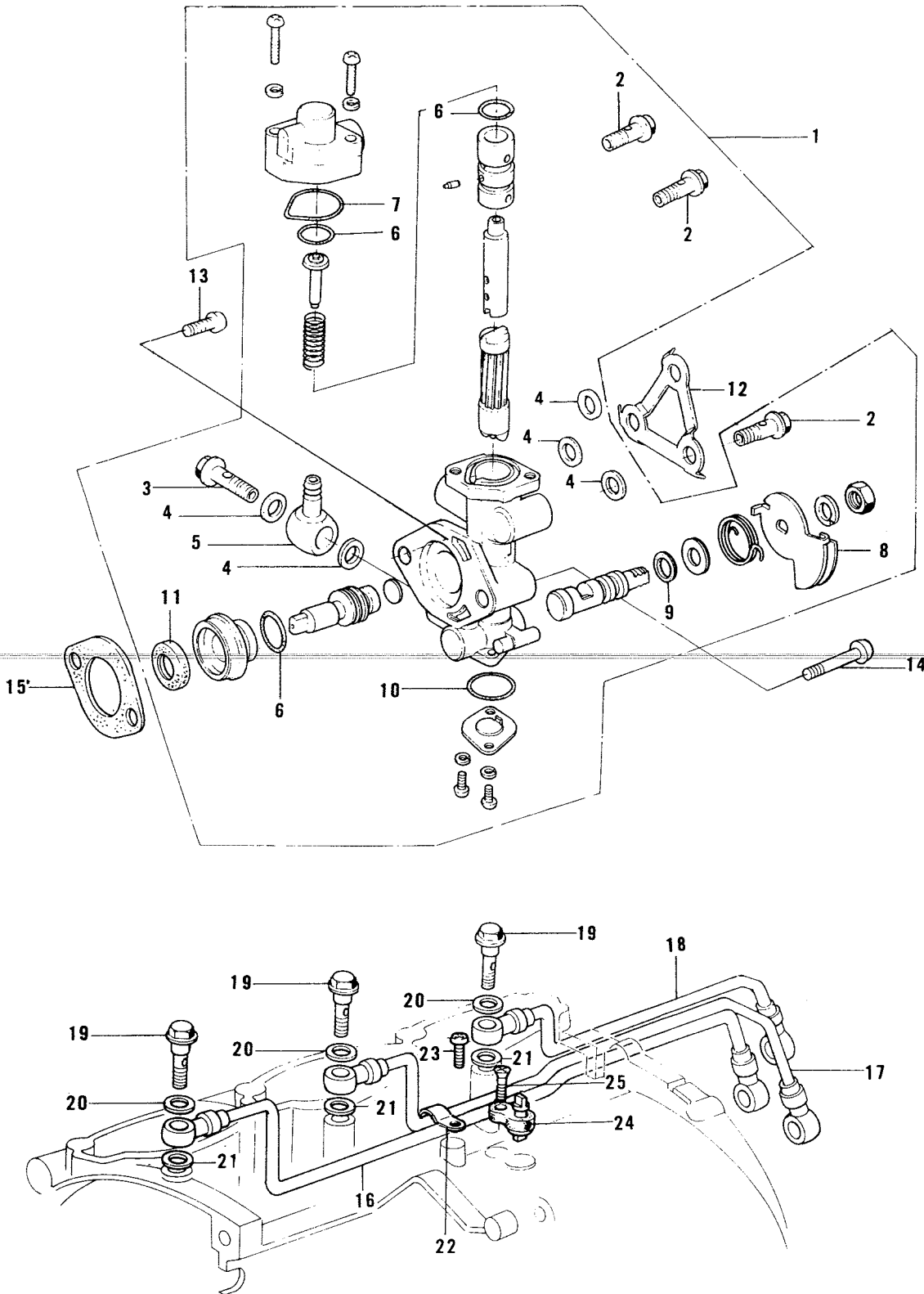
11. Carburetors

Ref. No.	Part No.	Part Name	Quantity	Remarks
1	16001-276	CARBURETOR ASSY, L.H. & Center	2	VM28
2	16001-277	CARBURETOR ASSY, R.H.	1	VM28
3	16036-004	CAP carburetor	1 x 3	
4	550D1210	PIN, cotter, 1.2 x 10	1 x 3	
5	16021-003	ADJUSTER, throttle	1 x 3	
6	16022-005	SPRING, throttle stop screw	1 x 3	
7	16006-012	SPRING, throttle valve	1 x 3	
8	16007-007	SPRING SEAT, throttle valve	1 x 3	
9	16008-004	CIRCLIP	1 x 3	
10	16009-049	JET NEEDLE, 5DJ19	1 x 3	
11	16024-005	ROD, throttle stop	1 x 3	
12	16025-048	VALVE, throttle	1 x 3	CA2.0
13	16017-062	NEEDLE JET, 0-4/8	1 x 3	
14	16051-002	CLAMP, carburetor mounting	1 x 3	
15	16014-006	SCREW, pilot air adjust	1 x 3	
16	16022-007	SPRING, pilot air adjust srew	1 x 3	
17	16019-008	GASKET, float chamber	1 x 3	
18	92064-032	PILOT JET, #25	1 x 3L	
19	16034-001	WASHER, main jet	1 x 3	
20	92063-109	MAIN JET, # 75R	1 x 3	STD
	92063-107	MAIN JET, # 70R	(1 x 3)	} Option
	92063-108	MAIN JET, #72.5R	(1 x 3)	
	92063-122	MAIN JET, #77.5R	(1 x 3)	
	92063-123	MAIN JET, # 80R	(1 x 3)	
21	16031-023	FLOAT	1 x 3	
22	16033-009	SCREW, float chamber fitting	4 x 3	
23	16002-002	ADJUSTER, cable	2 x 3	
24	16003-004	NUT, cable adjust lock	2 x 3	
25	16004-006	CAP, mixing chamber	1 x 3	
26	16005-016	TOP, mixing chamber	1 x 3	
27	16036-005	CAP, cable adjuster	1 x 3	
28	16012-008	CAP, starter plunger	1 x 3	
29	16013-003	SPRING, starter plunger	1 x 3	
30	16016-002	PLUNGER, starter	1 x 3	
31	16032-003	PIN, float	1 x 3	
32	16029-004	WASHER, float valve seat	2 x 3	
33	16030-005	FLOAT VALVE ASSY	1 x 3	
34	16055-013	PLATE	1 x 3	

11. Carburetors



12. Oil Pump



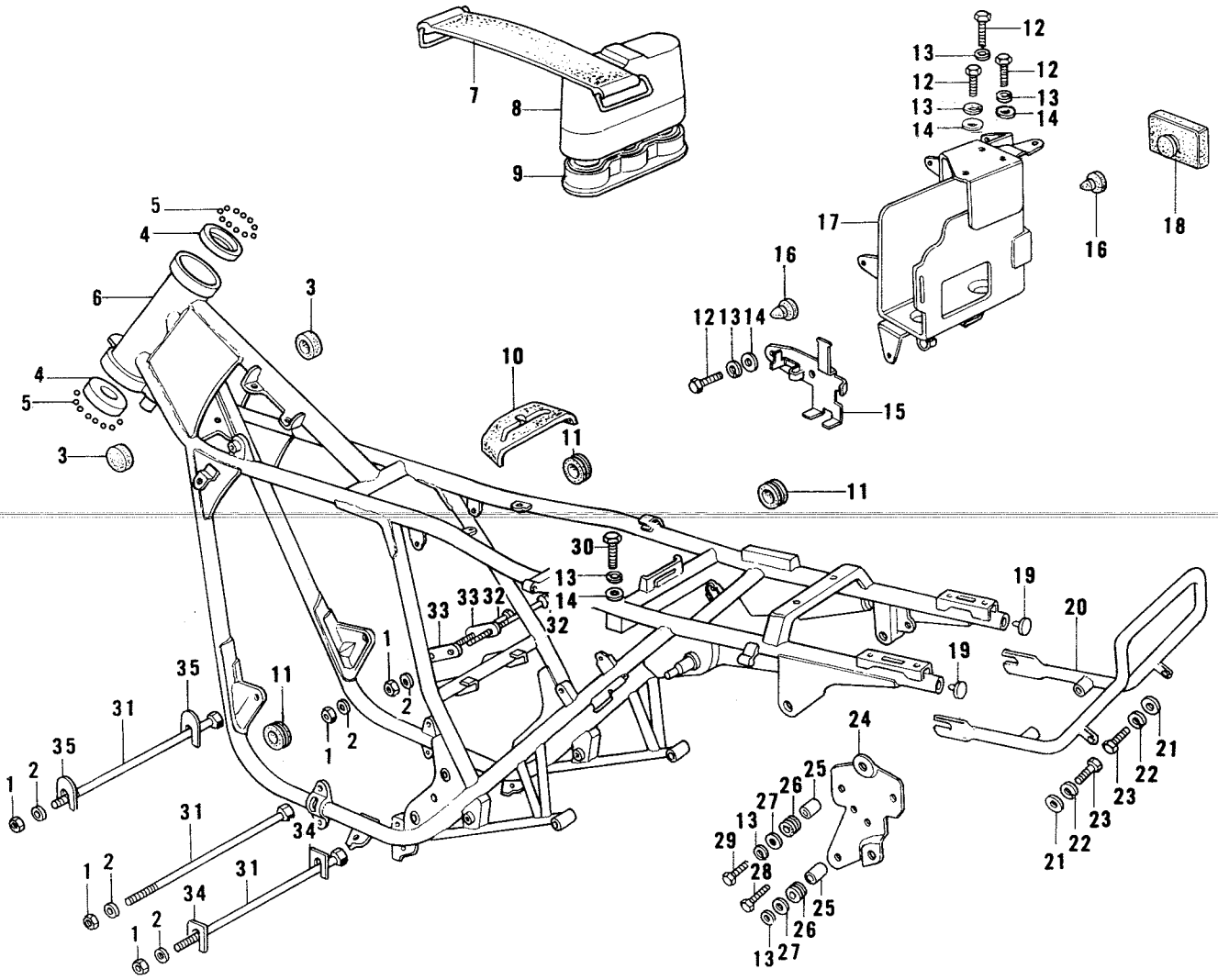
12. Oil Pump

Ref. No.	Part No.	Part Name	Quantity	Remarks
1	16082-040	OIL PUMP ASSY	1	
2	92060-008	BOLT, banjo	3	L=17.5m/m
3	92060-009	BOLT, banjo	1	L=24m/m
4	92022-077	GASKET, oil pump banjo	5	
5	92061-015	CONNECTOR, banjo	1	
6	16090-002	"O" RING, oil pump shaft	3	
7	16088-002	"O" RING, oil pump upper cap	1	
8	16096-003	LEVER, oil pump cable	1	
9	16089-001	"V" RING, oil pump cam shaft	1	
10	16090-003	"O" RING, oil pump lower cap	1	
11	16091-001	OIL SEAL, oil pump shaft	1	
12	92024-058	WASHER, lock	1	
13	220B0514A	SCREW, pan head, 5 x 14	1	
14	220B0528A	SCREW, pan head, 5 x 28	1	
15	16094-002	GASKET, oil pump	1	
16	16134-007	PIPE ASSY, oil, L.H.	1	
17	16134-008	PIPE ASSY, oil, Center	1	
18	16134-009	PIPE ASSY, oil, R.H.	1	
19	92060-010-79	BOLT, banjo	3	Cr-Plated
20	92065-058	GASKET, check valve	3	I.D.=10.5φ
21	92065-023	GASKET, check valve	3	I.D.=8.5φ
22	16068-004	HOLDER, oil pipe	1	
23	220B0610	SCREW, pan head, 6 x 10	1	
24	13151-012	SWITCH, neutral indicator	1	
25	221B0616	SCREW, countersunk head, 6 x 16	1	

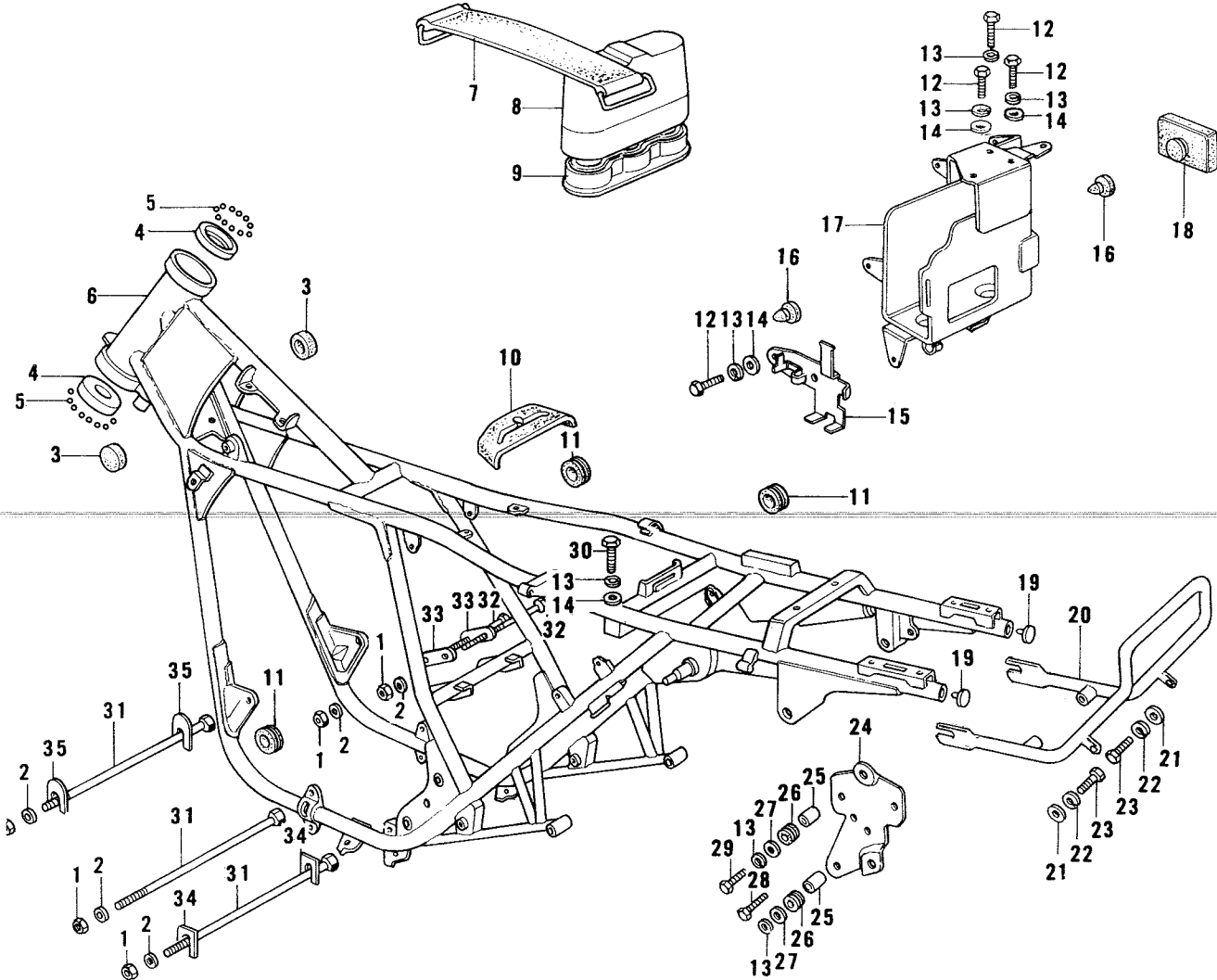
13. Frame (1/2)

Ref. No.	Part No.	Part Name	Quantity					Remarks
			ENGLAND	FRANCE	W. GERMANY	ITALY	OTHERS	
1	92019-021	NUT, lock, 10 m/m	5	5	5		5	
2	410B1000	WASHER, plain, 10 m/m	5	5	5		5	
3	92075-101	DAMPER RUBBER, fuel tank front	2	2	2		2	
4	92048-006	CUP, steering ball	2	2	2		2	
5	600A0800	BALL, steel, 1/4"	38	38	38		38	
6	32002-131	FRAME	1	1			1	
	32002-142	FRAME			1			
7	32100-015	BAND, spark plug cover	1	1	1		1	
8	32132-003	COVER, spark plug	1	1	1		1	
9	32132-002	HOLDER, spark plug cover	1	1	1		1	
10	92075-278	DAMPER RUBBER, fuel tank rear	1	1	1		1	
11	92071-056	GROMMET, side cover	4	4	4		4	
12	110B0612	BOLT, hex head, 6 x 12	5	5	5		5	
13	461F0600	WASHER, spring, 6 m/m	8	8	8		8	
14	411B0600	WASHER, plain, 6 m/m	6	6	6		6	
15	32100-018	BAND, battery	1	1	1		1	
16	92075-078	DAMPER RUBBER, battery	4	4	4		4	
17	32097-038	CASE, battery	1	1	1		1	
18	92075-163	DAMPER RUBBER, R.H. battery case	1	1	1		1	
19	32112-006	PLUG	2	2	2		2	
20	35032-031	STAY, rear fender	1	1	1		1	
21	92022-101	WASHER, plain	2	2	2		2	
22	461F0800	WASHER, spring, 8 m/m	2	2	2		2	
23	110B0845	BOLT, hex head, 8 x 45	2	2	2		2	
24	32129-007	BRACKET, electrical base	1	1	1		1	
25	92027-156	COLLAR	2	2	2		2	
26	92075-167	DAMPER RUBBER	2	2	2		2	
27	92022-125	WASHER, plain	2	2	2		2	
28	110B0628	BOLT, hex head, 6 x 28	1	1	1		1	
29	110B0625	BOLT, hex head, 6 x 25	1	1	1		1	
30	110B0616	BOLT, hex head, 6 x 16	1	1	1		1	
31	92091-024	BOLT, engine mounting, 10 x 274	3	3	3		3	
32	113B10125	BOLT, hex head, 10 x 125	2	2	2		2	
33	32030-016	PLATE, engine mounting	2	2	2		2	

13. Frame (1/2)



13. Frame (2/2)



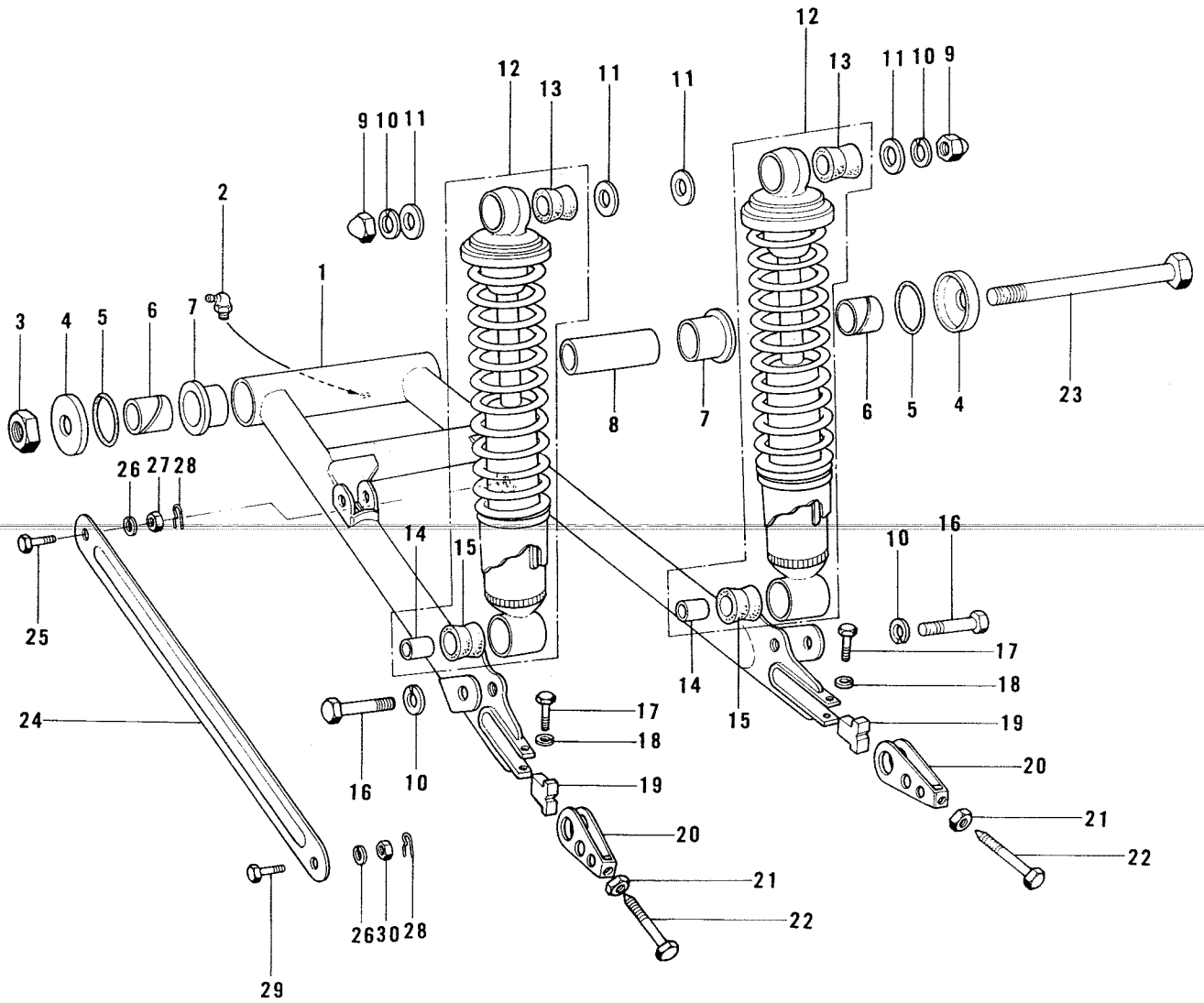
13. Frame (2/2)

Ref. No.	Part No.	Part Name	Quantity					Remarks
			ENGLAND	FRANCE	W. GERMANY	ITALY	OTHERS	
34	92025-053	SHIM, 0.5t	AR	AR	AR		AR	
	92025-054	SHIM, 0.8t	AR	AR	AR		AR	
	92025-055	SHIM, 1.0t	AR	AR	AR		AR	
	92025-056	SHIM, 1.6t	AR	AR	AR		AR	
	92025-057	SHIM, 2.0t	AR	AR	AR		AR	
	92025-058	SHIM, 2.3t	AR	AR	AR		AR	
35	92025-048	SHIM, 0.5t	AR	AR	AR		AR	
	92025-049	SHIM, 0.8t	AR	AR	AR		AR	
	92025-050	SHIM, 1.0t	AR	AR	AR		AR	
	92025-051	SHIM, 1.6t	AR	AR	AR		AR	
	92025-052	SHIM, 2.0t	AR	AR	AR		AR	

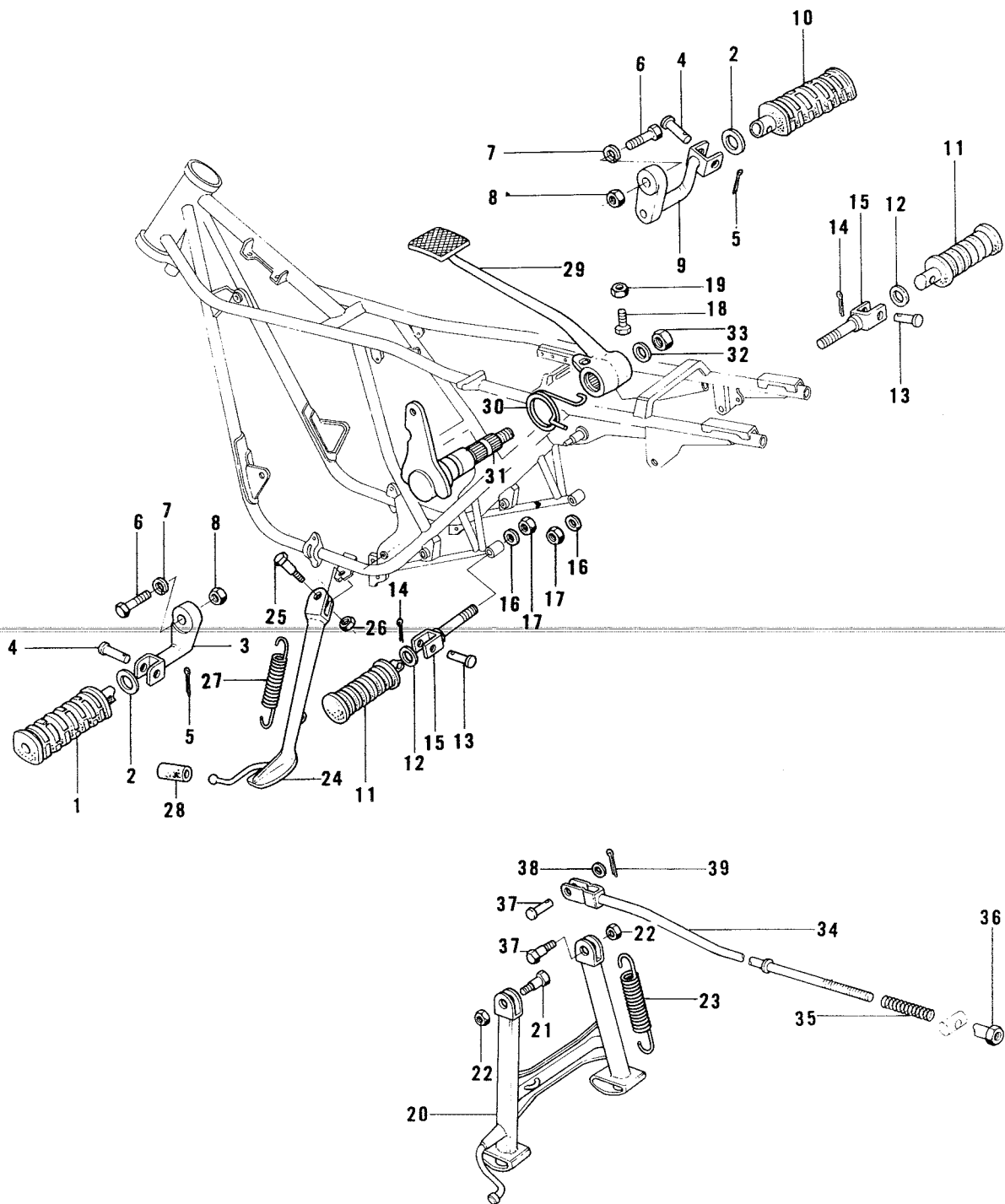
14. Swinging Arm, Rear Shock Absorber

Ref. No.	Part No.	Part Name	Quantity	Remarks
1	33001-084	SWINGING ARM	1	
2	92005-002	NIPPLE, grease	1	
3	92019-012	NUT, lock, 16 m/m	1	
4	33035-007	CAP, swinging arm	2	
5	671B2530	"O" RING, 30 m/m	2	
6	33034-009	SLEEVE, swinging arm short	2	
7	33033-009	BUSHING, swinging arm	2	
8	33034-008	SLEEVE, swinging arm long	1	
9	92020-003	NUT, shock absorber fitting	2	
10	461F1000	WASHER, spring, 10 m/m	4	
11	92022-246	WASHER, plain, 10 m/m	4	
12	45014-097	SHOCK ABSORBER, rear	2	
13	45017-015	BUSHING, shock absorber rubber	2	
14	45016-008	BUSHING, shock absorber	2	
15	45017-012	BUSHING, shock absorber rubber	2	
16	113N1035	BOLT, hex head, 10 x 35	2	
17	110B0835	BOLT, hex head, 8 x 35	2	
18	461F0800	WASHER, spring, 8 m/m	2	
19	33044-002	STOPPER, chain adjuster	2	
20	33040-056	ADJUSTER, chain	2	
21	312B0800	NUT, 8 m/m	2	
22	92001-038	BOLT, chain adjuster	2	
23	33032-038	SHAFT, swinging arm pivot	1	
24	43007-027	TORQUE LINK, rear brake	1	L=374m/m
25	92003-096	BOLT, hex head, 10 x 29	1	
26	461F1000	WASHER, spring, 10 m/m	2	
27	313B1000	NUT, 10 m/m	1	
28	92041-005	COTTER PIN	2	
29	92003-097	BOLT, hex head, 10 x 40	1	
30	315B1000	NUT, 10 m/m	1	

14. Swinging Arm, Rear Shock Absorber



15. Footrests, Stands, Brake Pedal



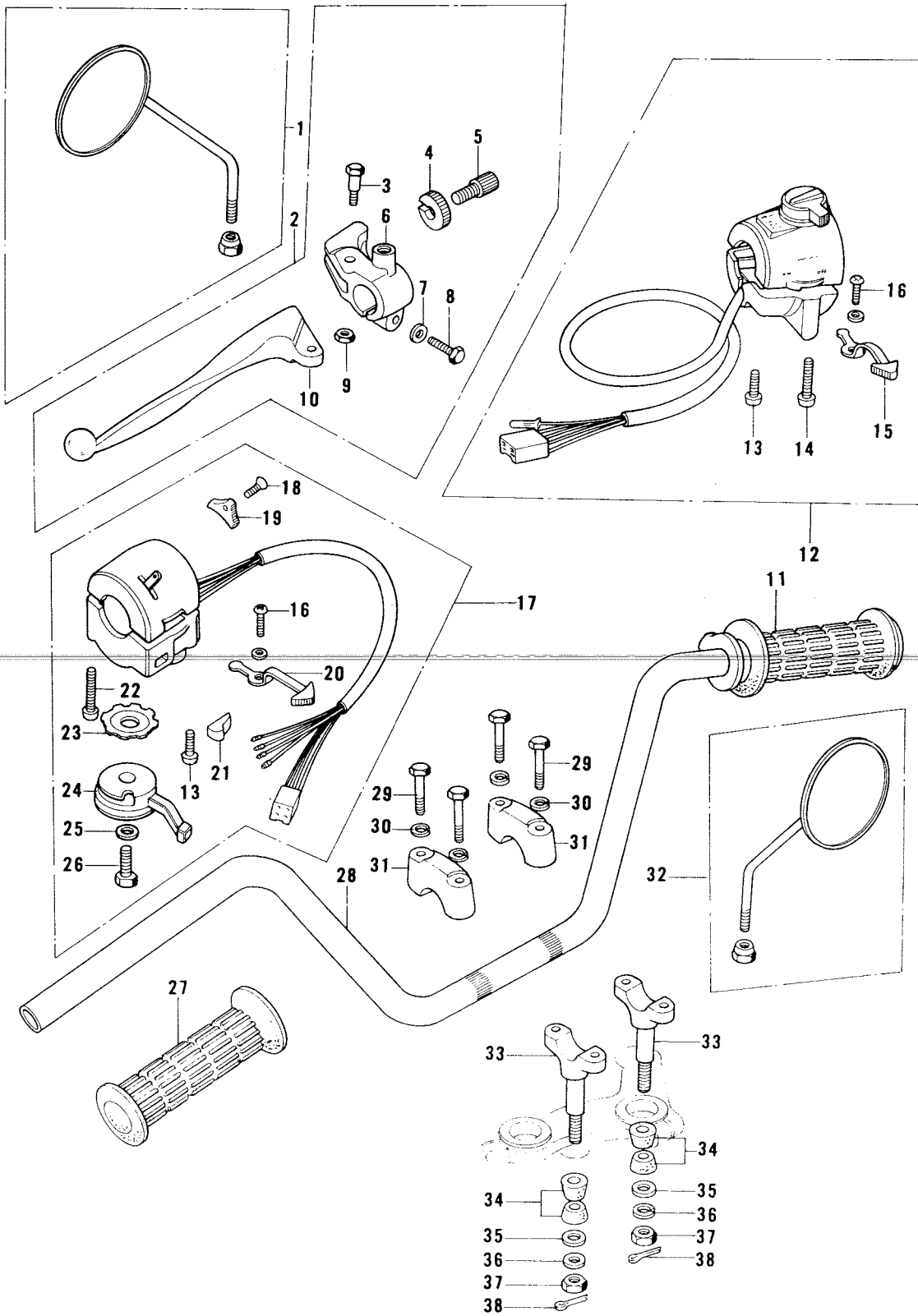
15. Footrests, Stands, Brake Pedal

Ref. No.	Part No.	Part Name	Quantity	Remarks
1	34028-011	BAR, L.H. footrest	1	
2	92022-204	WASHER, plain	2	
3	34003-038	BRACKET, L.H. footrest bar	1	
4	92043-080	PIN, footrest bar fitting	2	
5	550D2516	PIN, cotter, 2.5 x 16	2	
6	92003-165	BOLT, hex head, 12 x 56	2	
7	461F1200	WASHER, spring, 12 m/m	2	
8	313G1200A	NUT, 12 m/m	2	
9	34003-039	BRACKET, R.H. footrest bar	1	
10	34028-012	BAR, R.H. footrest	1	
11	92076-027	RUBBER, rear footrest	2	
12	92022-199	WASHER, plain	2	
13	92043-079	PIN, rear footrest, fitting	2	
14	550D2012	PIN, cotter, 2.0 x 12	2	
15	34029-011	BRACKET, rear footrest	2	
16	410B1000	WASHER, plain, 10 m/m	2	
17	92019-021	NUT, lock, 10 m/m	2	
18	110B0620	BOLT, hex head, 6 x 20	1	
19	310B0600	NUT, 6 m/m	1	
20	34011-034	STAND, main	1	
21	92003-150	BOLT, hex head, 12 x 32	2	
22	92019-009	NUT, lock, 12 m/m	2	
23	34023-016	SPRING, main stand	1	
24	34024-039	STAND, side	1	
25	92003-079	BOLT, side stand fitting	1	
26	313B1000	NUT, 10 m/m	1	
27	34023-005	SPRING, side stand	1	
28	92075-031	RUBBER, side stand damper	1	
29	43001-047	PEDAL, brake	1	
30	43005-022	SPRING, brake pedal	1	
31	43004-011	SHAFT, brake pedal	1	
32	411B0800	WASHER, plain 8 m/m	1	
33	92019-013	NUT, lock, 8 m/m	1	
34	43011-016	ROD, brake	1	
35	43012-002	SPRING, brake rod	1	
36	92015-042	NUT, brake rod adjust	1	
37	92043-064	PIN, brake rod fitting	1	
38	410B0600	WASHER, plain, 6 m/m	1	
39	550D2015	PIN, cotter, 2.0 x 15	1	

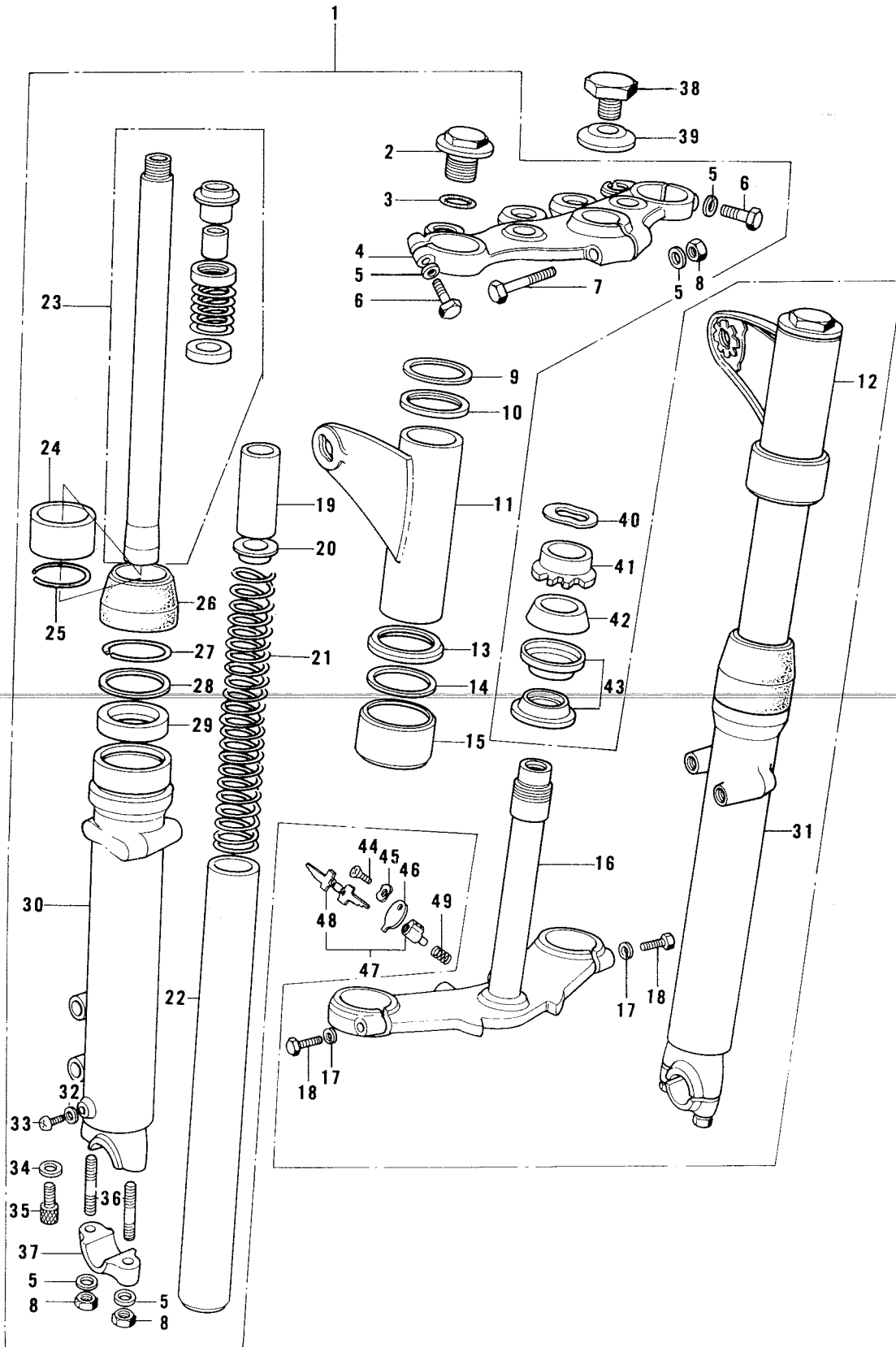
16. Handlebar, Grips

Ref. No.	Part No.	Part Name	Quantity					Remarks
			ENGLAND	FRANCE	W. GERMANY	ITALY	OTHERS	
1	56003-018	REAR VIEW MIRROR, L.H.	1				1	
	56003-014	REAR VIEW MIRROR, L.H.		1	1			
2	46076-051	LEVER ASSY, clutch	1	1	1		1	
3	92007-047	BOLT, hex head, 6 m/m	1	1	1		1	
4	46056-005	NUT, cable adjust lock	1	1	1		1	
5	46055-006	SCREW, cable adjust	1	1	1		1	
6	46094-017	HOLDER, clutch lever	1	1	1		1	
7	410B0600	WASHER, plain, 6 m/m	1	1	1		1	
8	110N0625	BOLT, hex head, 6 x 25	1	1	1		1	
9	92017-014	NUT, lock, 6 m/m	1	1	1		1	
10	46092-022	LEVER, clutch	1	1	1		1	
11	46019-041	GRIP ASSY, throttle	1	1	1		1	
12	46132-029	CASE ASSY, R.H.	1	1	1		1	
13	220B0522A	SCREW, pan head, 5 x 22	2	2	2		2	
14	220B0535A	SCREW, pan head, 5 x 35	1	1	1		1	
15	46043-006	KNOB, lighting switch	1	1	1		1	
16	220B0305A	SCREW, pan head, 3 x 5	2	2	2		2	
17	46091-033	CASE ASSY, L.H.	1	1	1		1	
18	221B0308A	SCREW, countersunk head, 3 x 8	1	1	1		1	
19	46044-013	SWITCH, lighting, L.H.	1	1	1		1	
20	46043-005	KNOB, signal lamp switch L.H.	1	1	1		1	
21	46027-015	SWITCH ASSY, push button	1	1	1		1	
22	220B0530A	SCREW, pan head, 5 x 30	1	1	1		1	
23	92095-012	WASHER, lock	1	1	1		1	
24	46096-009	LEVER, starter	1	1	1		1	
25	410B0600	WASHER, plain 6 m/m	1	1	1		1	
26	110B0608	BOLT, hex head, 6 x 8	1	1	1		1	
27	46075-028	RUBBER, L.H. grip	1	1	1		1	
28	46006-012	HANDLEBAR, semi-low	1	1	1		1	
29	92007-002	BOLT, handlebar fitting	4	4	4		4	
30	461F0800	WASHER, spring, 8 m/m	4	4	4		4	
31	46012-008	HOLDER, upper handlebar	2	2	2		2	
32	56002-026	REAR VIEW MIRROR, R.H.	1				1	
	56002-022	REAR VIEW MIRROR R.H.		1	1			
33	46012-010	HOLDER, lower handlebar	2	2	2		2	
34	92075-092	DAMPER RUBBER	4	4	4		4	
35	92022-196	WASHER, plain	2	2	2		2	
36	461F1000	WASHER, spring, 10 m/m	2	2	2		2	
37	313B1000	NUT, 10 m/m	2	2	2		2	
38	92041-005	PIN, cotter	2	2	2		2	

16. Handlebar, Grips



17. Front Fork (1/2)



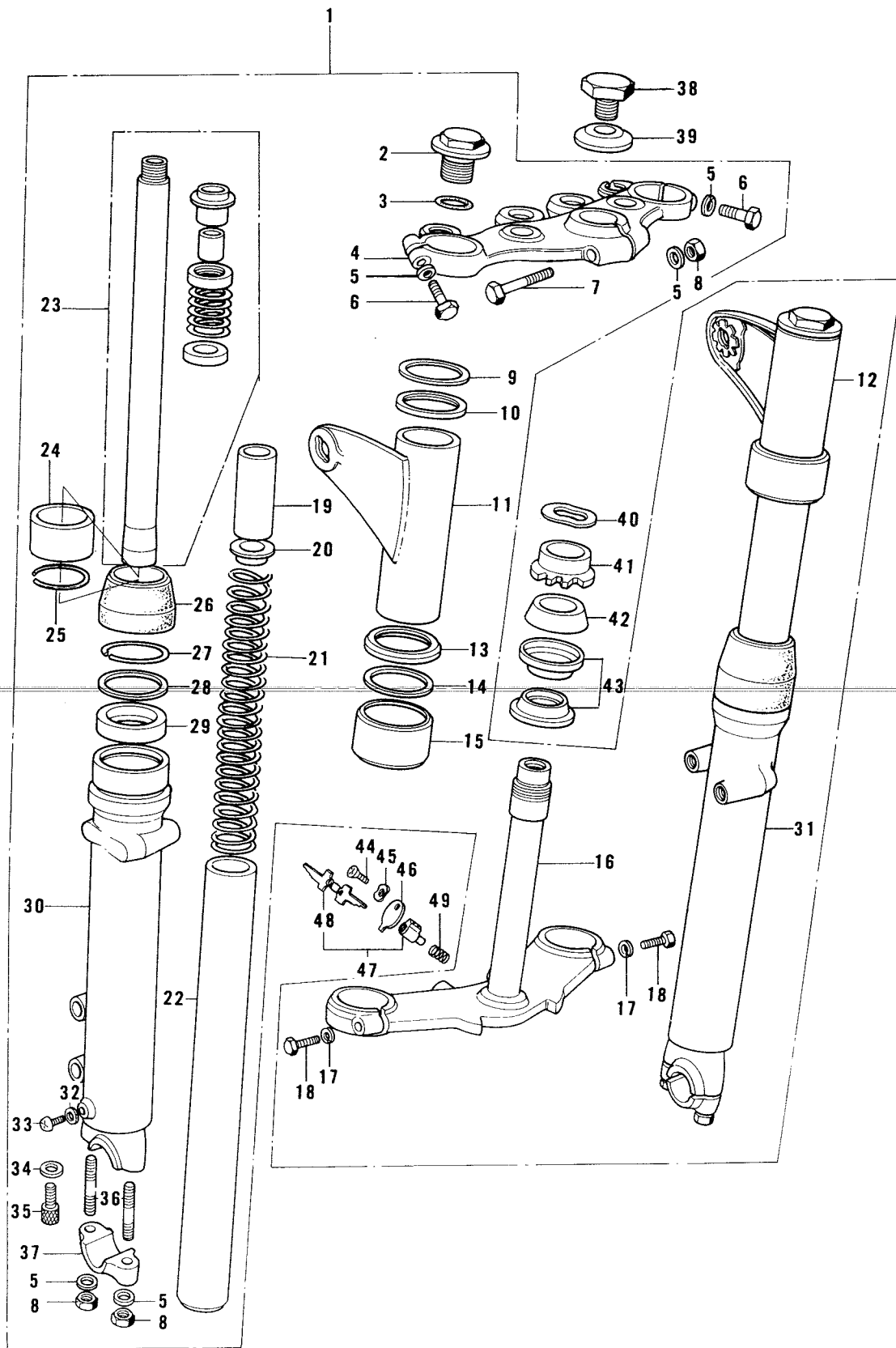
17. Front Fork (1/2)

Ref. No.	Part No.	Part Name	Quantity					Remarks
			ENGLAND	FRANCE	W. GERMANY	ITALY	OTHERS	
1	44001-176	FRONT FORK ASSY	1	1			1	
	44001-188	FRONT FORK ASSY			1			
2	44062-003	BOLT, fork top fitting	2	2	2		2	
3	44046-015	"O" RING	2	2	2		2	
4	44039-048	HEAD, steering stem	1	1	1		1	
5	461F0800	WASHER, spring, 8 m/m	7	7	7		7	
6	44041-049	BOLT, hex head, 8 m/m	2	2	2		2	
7	44041-042	BOLT, hex head, 8 m/m	1	1	1		1	
8	92019-022	NUT, lock, 8 m/m	5	5	5		5	
9	44045-041	GASKET, fork cover	2	2	2		2	
10	44043-048	WASHER, fork cover	2	2	2		2	
11	44033-068	COVER, L.H. fork	1	1	1		1	
12	44034-068	COVER, R.H. fork	1	1	1		1	
13	44032-008	WASHER, fork cover	1	1	1		1	
14	44045-038	GASKET, fork cover	1	1	1		1	
15	44064-025	GUIDE, fork cover	2	2	2		2	
16	44037-096	STEM, steering	1	1			1	
	44037-103	STEM, steering			1			
17	461F1200	WASHER, spring, 12 m/m	2	2	2		2	
18	92003-064	BOLT, hex head, 12 x 36	2	2	2		2	
19	44028-023	SPACER, fork spring guide	2	2	2		2	
20	44029-019	GUIDE, fork spring	2	2	2		2	
21	44026-031	SPRING, fork	2	2	2		2	
22	44013-032	TUBE, fork inner	2	2	2		2	
23	44022-038	CYLINDER, fork	2	2	2		2	
24	44018-009	PISTON, fork	2	2	2		2	
25	44044-019	CIRCLIP, fork piston	2	2	2		2	
26	44010-032	DUST SHIELD	2	2	2		2	
27	44044-015	CIRCLIP	2	2	2		2	
28	44043-044	WASHER	2	2	2		2	
29	44009-024	OIL SEAL	2	2	2		2	
30	44005-063	TUBE, L.H. fork outer	1	1	1		1	
31	44006-061	TUBE, R.H. fork outer	1	1	1		1	
32	44045-002	GASKET, drain plug	2	2	2		2	
33	220B0408A	SCREW, pan head, 4 x 8	2	2	2		2	
34	44045-034	GASKET, fork cylinder bolt	2	2	2		2	
35	44041-040	BOLT, fork cylinder	2	2	2		2	
36	172G0835	STUD, 8 x 35	4	4	4		4	
37	44063-014	HOLDER, front axle	2	2	2		2	

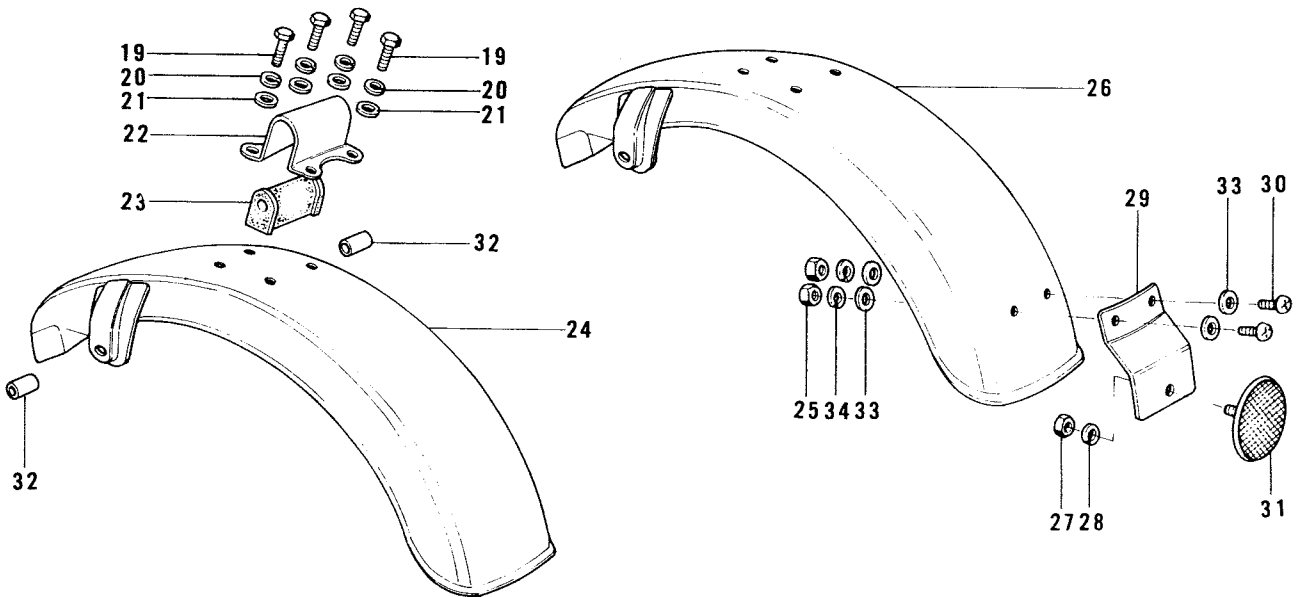
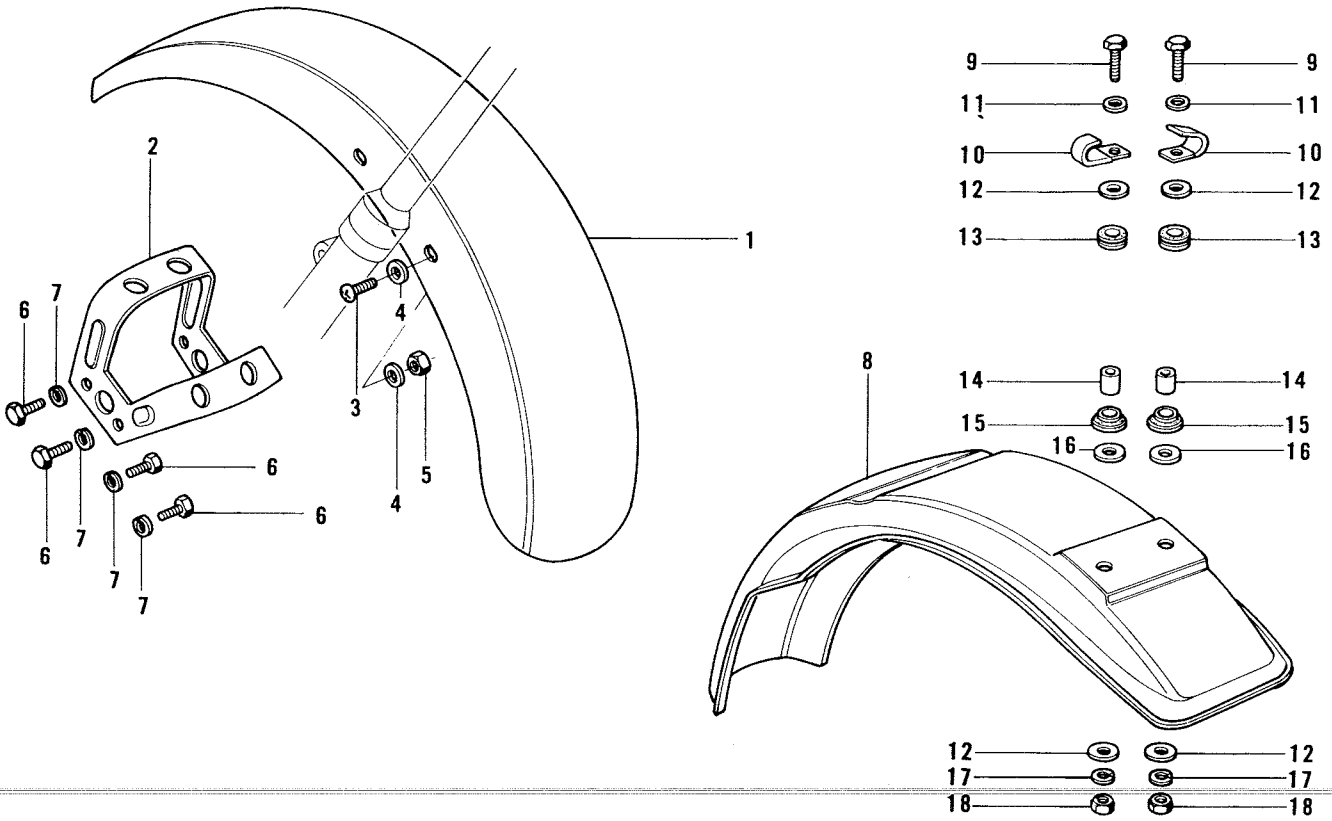
17. Front Fork (2/2)

Ref. No.	Part No.	Part Name	Quantity					Remarks
			ENGLAND	FRANCE	W. GERMANY	ITALY	OTHERS	
38	92007-031	BOLT, steering stem head	1	1	1		1	
39	92022-230	WASHER, steering stem head bolt	1	1	1		1	
40	46100-003	WASHER, wave	1	1	1		1	
41	92090-007	NUT, steering stem lock	1	1	1		1	
42	46098-010	CAP, steering stem	1	1	1		1	
43	92047-006	RACE INNER, steering ball	2	2	2		2	
44	92008-007	SCREW, tapping	1	1	1		1	
45	92097-003	WASHER, wave	1	1	1		1	
46	27031-004	CAP, steering lock	1	1			1	
	27031-005	CAP, steering lock			1			
47	27016-038	LOCK ASSY, steering	1	1			1	} Local Procurement Items
		LOCK ASSY, steering			1			
48		KEY SET			1			
	27008-055-11	KEY SET, #911	1	1			1	
	27008-055-12	KEY SET, #912	1	1			1	
	27008-055-13	KEY SET, #913	1	1			1	
	27008-055-14	KEY SET, #914	1	1			1	
	27008-055-15	KEY SET, #915	1	1			1	
	27008-055-16	KEY SET, #916	1	1			1	
	27008-055-17	KEY SET, #917	1	1			1	
	27008-055-18	KEY SET, #918	1	1			1	
	27008-055-19	KEY SET, #919	1	1			1	
	27008-055-20	KEY SET, #920	1	1			1	
	27008-055-21	KEY SET, #921	1	1			1	
	27008-055-22	KEY SET, #922	1	1			1	
	27008-055-23	KEY SET, #923	1	1			1	
	27008-055-24	KEY SET, #924	1	1			1	
	27008-055-25	KEY SET, #925	1	1			1	
49	27032-001	SPRING, steering lock	1	1	1		1	

17. Front Fork (2/2)



18. Fenders



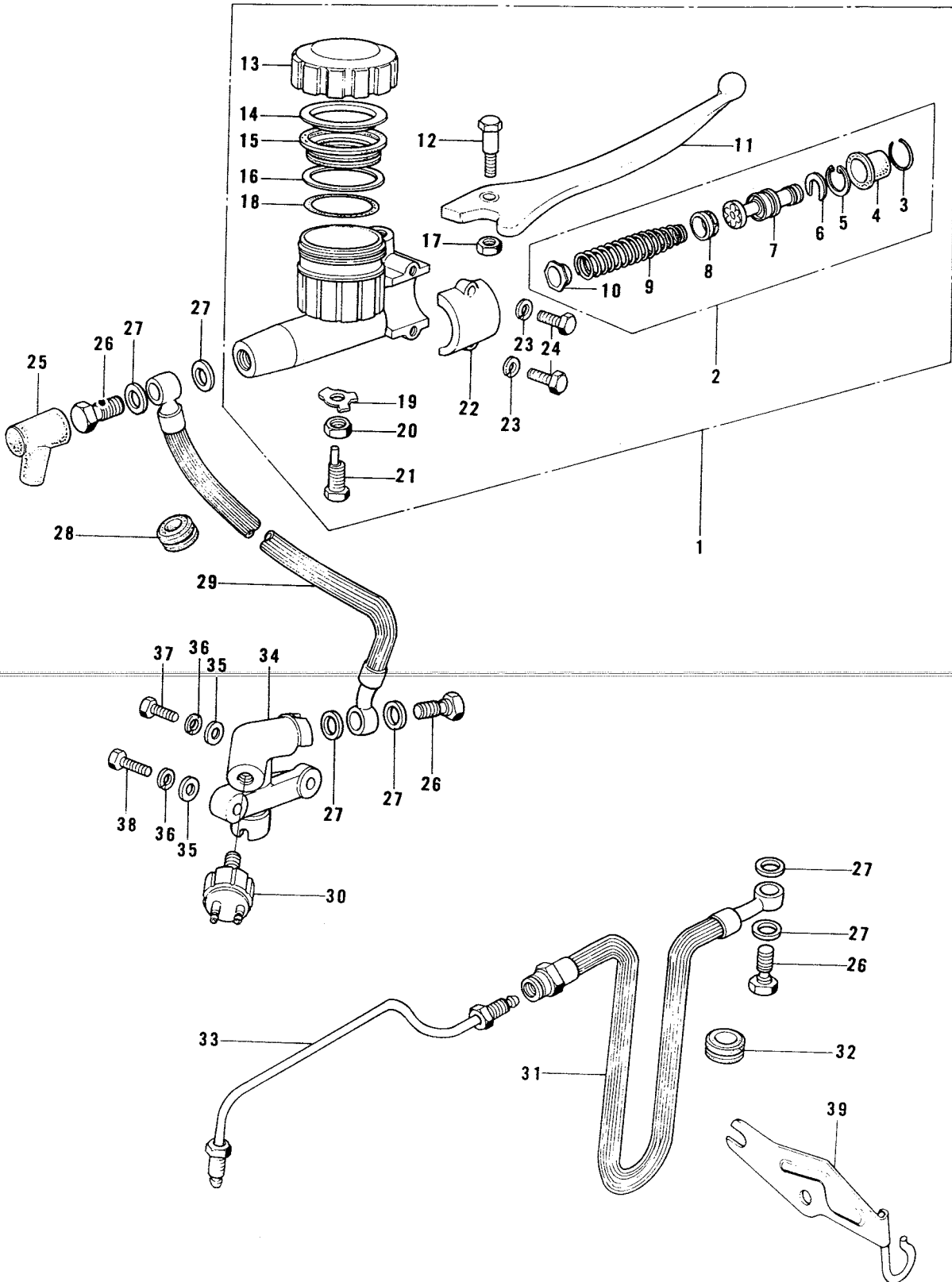
18. Fenders

Ref. No.	Part No.	Part Name	Quantity					Remarks
			ENGLAND	FRANCE	W. GERMANY	ITALY	OTHERS	
1	35004-085	FENDER, front	1	1	1		1	
2	35009-029	BRACE, front fender	1	1	1		1	
3	220E0614	SCREW, pan head, 6 x 14	4	4	4		4	
4	411B0600	WASHER, plain, 6 m/m	8	8	8		8	
5	92017-014	NUT, lock, 6 m/m	4	4	4		4	
6	110B0816	BOLT, hex head, 8 x 16	4	4	4		4	
7	461F0800	WASHER, spring, 8 m/m	4	4	4		4	
8	35022-076	FENDER, rear	1	1	1		1	
9	110B0636	BOLT, hex head, 6 x 36	2	2	2		2	
10	92037-113	CLAMP, harness	2	2	2		2	
11	411B0600	WASHER, plain, 6 m/m	2	2	2		2	O.D.=13φ
12	92022-228	WASHER, plain	4	4	4		4	O.D.=24φ
13	92075-121	DAMPER RUBBER A	2	2	2		2	
14	92027-241	COLLAR	2	2	2		2	
15	92075-133	DAMPER RUBBER B	2	2	2		2	
16	92022-227	WASHER, plain	2	2	2		2	O.D.=27φ
17	461F0600	WASHER, spring, 6 m/m	2	2	2		2	
18	310B0600	NUT, 6 m/m	2	2	2		2	
19	110B0614	BOLT, hex head, 6 x 14	4	4	4		4	
20	461F0600	WASHER, spring, 6 m/m	4	4	4		4	
21	411B0600	WASHER, plain, 6 m/m	4	4	4		4	
22	35026-010	BRACKET, rear fender	1	1	1		1	
23	92075-228	DAMPER RUBBER	1	1	1		1	
24	35022-141	FENDER, rear	1				1	
25	310B0600	NUT, 6 m/m		2	2			
26	35022-143	FENDER, rear		1	1			
27	310B0500A	NUT, 5 m/m		1	1			
28	461F0500	WASHER, spring, 5m		1	1			
29	28013-008	BRACKET, reflex reflector		1	1			
30	220B0614	SCREW, pan head, 6 x 14		2	2			
31	28012-015	REFLECTOR, rear reflex		1	1			
32	92027-259	COLLAR	2	2	2		2	L=26 m/m
33	411B0600	WASHER, plain, 6 m/m		4	4			
34	461F0600	WASHER, spring, 6 m/m		2	2			

19. Tires, Rims

Ref. No.	Part No.	Part Name	Quantity	Remarks
1	41021-040	TIRE, 3.25-19 4PR	1	DUNLOP F6B
2	41022-030	TUBE, tire, 3.25-19	1	
3	41023-015	BAND, rim	1	
4	41025-085	RIM, 1.85B x 19W	1	
5	41021-041	TIRE, 4.00-18 4PR	1	DUNLOP K87 MARK II M
6	41022-031	TUBE, tire, 4.00-18	1	
7	41023-017	BAND, rim	1	
8	41025-058	RIM, 2.15B x 18W	1	
9	41027-085	SPOKE ASSY, front inner	20	184.5m/m x 97°
10	41028-084	SPOKE ASSY, front outer	20	184m/m x 83°
11	41027-047	SPOKE ASSY, rear inner	20	147.5m/m x 100°
12	41028-046	SPOKE ASSY, rear outer	20	147m/m x 81°
13	41074-047	WHEEL ASSY, front	1	
14	42048-021	WHEEL ASSY, rear	1	
15	41024-008	PROTECTOR, bead	2	2.15B
16	41075-001	WEIGHT, balance	AR	10g
17	41075-002	WEIGHT, balance	AR	20g
18	41075-003	WEIGHT, balance	AR	30g
19	41075-004	WEIGHT, balance	AR	5g

20. Disc Brake Equipment A



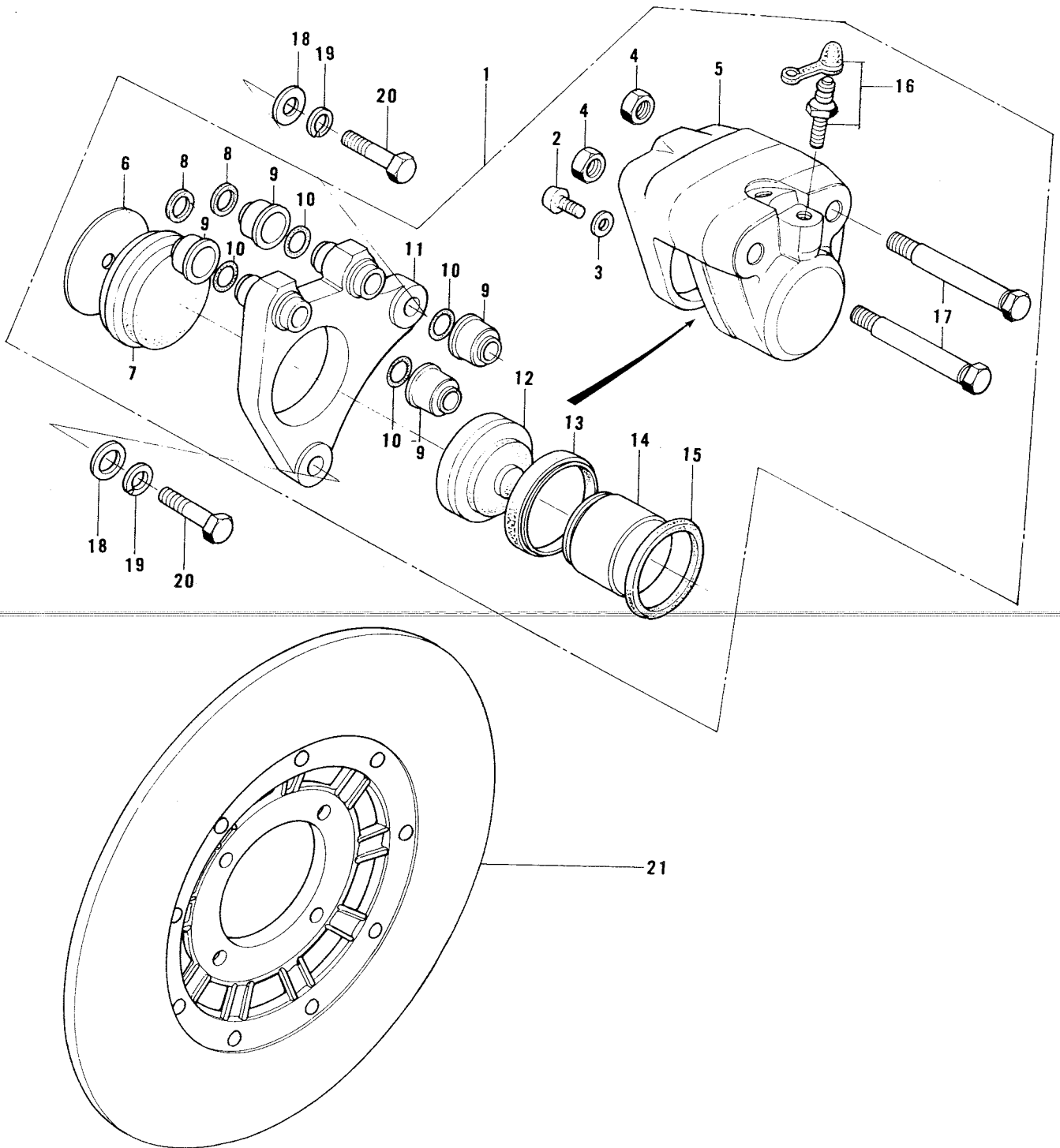
20. Disc Brake Equipment A

Ref. No.	Part No.	Part Name	Quantity	Remarks
1	43015-020	CYLINDER ASSY, master	1	
2	43073-001	REPAIR SET, master cylinder	1	
3	43025-001	STOPPER, dust cover	1	
4	43024-001	DUST COVER	1	
5	481J1800	CIRCLIP, 18 m/m	1	
6	43022-001	STOPPER	1	
7	43072-001	PISTON ASSY	1	
8	43019-001	CUP, primary	1	
9	43018-001	SPRING ASSY, return	1	
10	43017-001	VALVE ASSY, check	1	
11	43029-003	LEVER, front brake	1	
12	43033-004	BOLT, handle lever pivot	1	
13	43026-003	CAP, oil cup	1	
14	43027-001	PLATE, diaphragm	1	
15	43028-001	DIAPHRAGM	1	
16	43053-003	RING, SEAL	1	
17	312N0600	NUT, 6 m/m	1	
18	43079-001	"O" RING	1	
19	43031-001	WASHER, lock	1	
20	313N0800	NUT, 8 m/m	1	
21	43030-003	BOLT, lever adjust	1	
22	43034-001	HOLDER, master cylinder	1	
23	411B0600	WASHER, plain, 6 m/m	2	
24	110N0625	BOLT, hex head, 6 x 25	2	
25	43069-002	DUST COVER	1	
26	43066-001	BOLT, oil	3	
27	43067-001	WASHER, oil bolt	6	
28	43064-005	DAMPER RUBBER	1	
29	43059-010	HOSE, master cylinder brake	1	
30	43065-001	SWITCH ASSY, front brake	1	
31	43059-002	HOSE, caliper brake	1	
32	43064-001	DAMPER RUBBER	1	
33	43060-023	PIPE, bridge	1	
34	43061-002	JOINT, three way	1	
35	411B0600	WASHER, plain, 6 m/m	2	
36	461F0600	WASHER, spring, 6 m/m	2	
37	110N0622	BOLT, hex head, 6 x 22	1	
38	110N0632	BOLT, hex head, 6 x 32	1	
39	43063-001	BRACKET, brake hose	1	

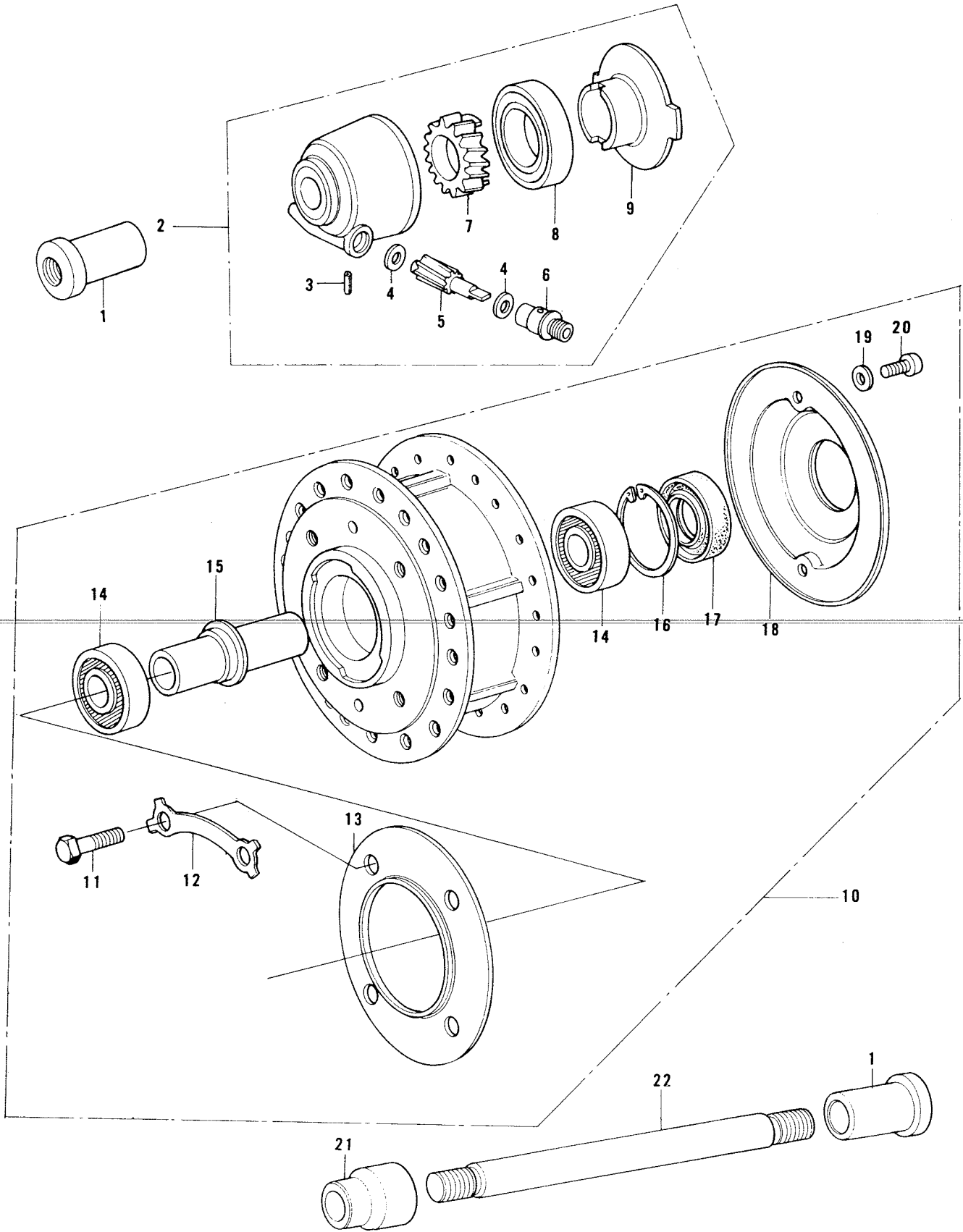
21. Disc Brake Equipment B

Ref. No.	Part No.	Part Name	Quantity	Remarks
1	43041-018	CALIPER ASSY	1	
2	220B0612	SCREW, pan head, 6 x 12	1	
3	461F0600	WASHER, spring, 6 m/m	1	
4	315B1000	NUT, 10 m/m	2	
5	43042-008	BODY, caliper	1	
6	43040-004	SPACER	1	
7	43051-007	PAD B	1	
8	43088-002	PLUG	2	
9	43052-005	DUST SHIELD	4	
10	43053-006	"O" RING	4	
11	43044-008	HOLDER, caliper	1	
12	43050-006	PAD A	1	
13	43054-003	DUST SHIELD, rubber	1	
14	43048-006	PISTON	1	
15	43049-002	SEAL, piston	1	
16	43085-001	BREEDER	1	
17	43045-006	BOLT	2	
18	410B1000	WASHER, plain, 10 m/m	2	
19	461F1000	WASHER, spring, 10 m/m	2	
20	92007-032	BOLT, hex head, 10 m/m	2	
21	41080-005	DISC COMPLETE	1	

21. Disc Brake Equipment B



22. Front Hub



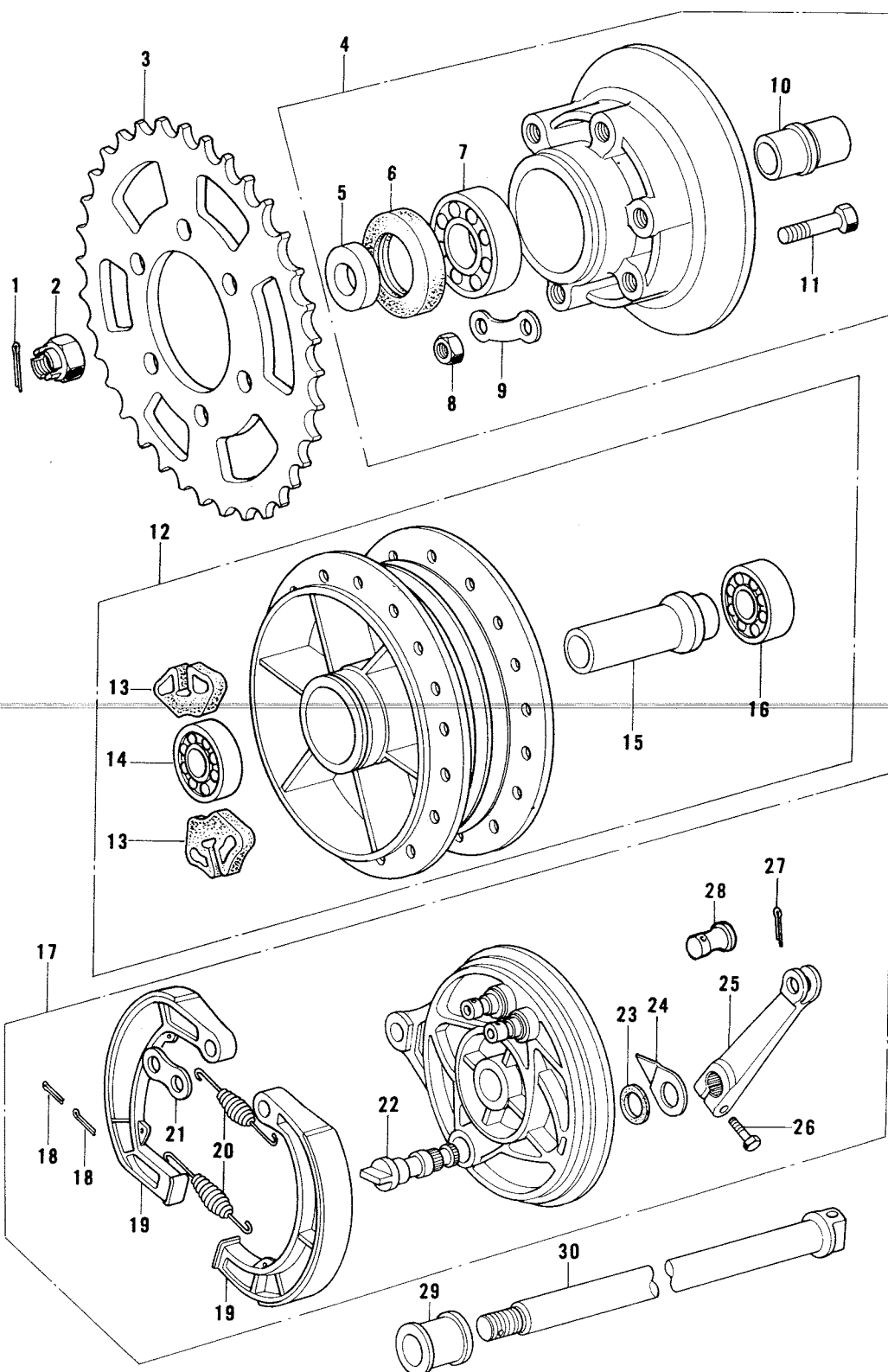
22. Front Hub

Ref. No.	Part No.	Part Name	Quantity	Remarks
1	41069-033	COLLAR, front axle	2	
2	41078-008	GEAR BOX ASSY	1	
3	41082-001	SPRING PIN	1	
4	41063-001	WASHER, thrust	2	
5	41060-017	PINION, speedometer	1	
6	41062-005	BUSHING, speedometer cable	1	
7	41059-026	GEAR, speedometer	1	
8	654A304208	OIL SEAL, #30428	1	
9	41064-013	RECEIVER, speedometer gear	1	
10	41034-041	DRUM ASSY, front brake	1	
11	92001-158	BOLT, hex head, 10 m/m	4	
12	92088-023	WASHER, lock	2	
13	41042-014	DUST COVER, L.H.	1	
14	601B6203	BEARING, ball, #6203	2	
15	41039-028	SPACER, front hub bearing	1	
16	481J4000	CIRCLIP, 40 m/m	1	
17	654A254008	OIL SEAL, #25408	1	
18	41042-016	DUST COVER, R.H.	1	
19	410B0500	WASHER, plain, 5 m/m	2	
20	220B0512A	SCREW, pan head, 5 x 12	2	
21	41069-032	COLLAR, front axle	1	
22	41068-049	AXLE, front	1	

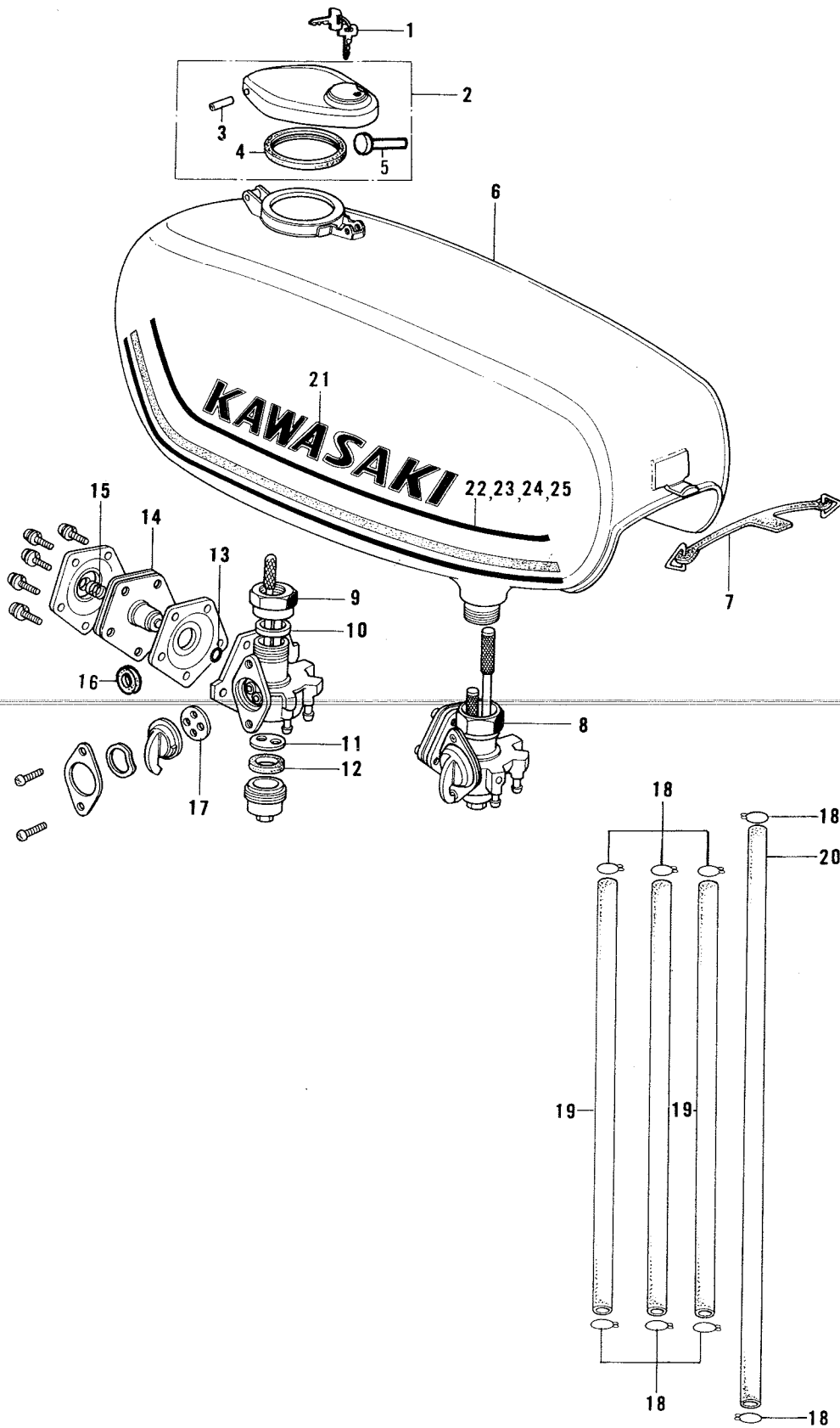
23. Rear Hub

Ref. No.	Part No.	Part Name	Quantity	Remarks
1	550D4035	PIN, cotter, 4.0 x 35	1	
2	92015-055	NUT, 16 m/m	1	
3	42041-046	REAR SPROCKET, 45T	1	} S.T.D. Option
	42041-047	REAR SPROCKET, 43T	(1)	
	42041-077	REAR SPROCKET, 47T	(1)	
4	42008-014	COUPLING ASSY, rear hub	1	
5	42037-022	COLLAR, rear hub coupling	1	
6	92050-027	OIL SEAL, #39627	1	
7	601B6305	BEARING, ball, #6305	1	
8	42045-005	NUT, 10 m/m	6	
9	92088-007	WASHER, lock	3	
10	42036-014	SLEEVE, rear hub coupling	1	
11	92003-015	BOLT, rear sprocket fitting	6	
12	42005-015-80	DRUM ASSY, rear brake	1	Buff Finish
13	42014-014	DAMPER, rear hub shock	6	
14	601B6303Z	BEARING, ball, #6303Z	1	
15	42010-014	SPACER, rear hub bearing	1	
16	601B6205Z	BEARING, ball, #6205Z	1	
17	42006-061-80	PANEL ASSY, rear brake	1	Buff Finish
18	550D3025	PIN, cotter, 3.0 x 25	2	
19	41048-013	SHOE, brake	2	
20	41049-012	SPRING, brake shoe	2	
21	41045-006	WASHER, brake shoe	1	
22	41050-017	CAM SHAFT, brake	1	
23	41051-003	DUST SHIELD, brake cam	1	
24	41085-004	INDICATOR, brake shoe	1	
25	42029-024	LEVER, rear brake cam	1	
26	110B0825	BOLT, hex head, 8 x 25	1	
27	550D2525	PIN, cotter, 2.5 x 25	1	
28	92043-093	PIN, brake lever	1	
29	42032-017	COLLAR, rear axle	1	
30	42031-053	AXLE, rear	1	

23. Rear Hub



24. Fuel Tank (1/2)



24. Fuel Tank (1/2)

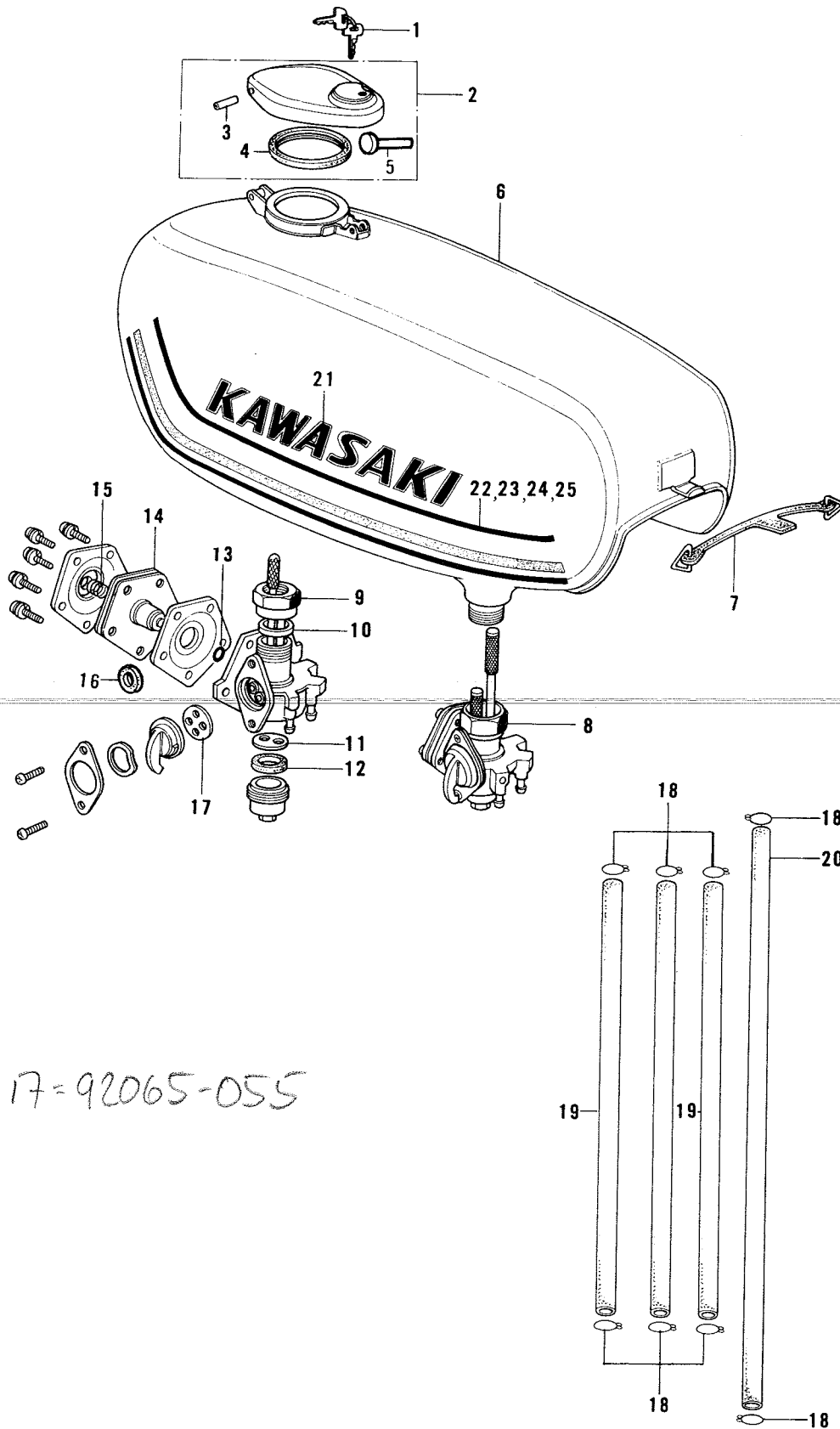
Ref. No.	Part No.	Part Name	Quantity	Remarks
1	27008-055-11	KEY SET, #911	1	
	27008-055-12	KEY SET, #912	1	
	27008-055-13	KEY SET, #913	1	
	27008-055-14	KEY SET, #914	1	
	27008-055-15	KEY SET, #915	1	
	27008-055-16	KEY SET, #916	1	
	27008-055-17	KEY SET, #917	1	
	27008-055-18	KEY SET, #918	1	
	27008-055-19	KEY SET, #919	1	
	27008-055-20	KEY SET, #920	1	
	27008-055-21	KEY SET, #921	1	
	27008-055-22	KEY SET, #922	1	
	27008-055-23	KEY SET, #923	1	
	27008-055-24	KEY SET, #924	1	
	27008-055-25	KEY SET, #925	1	
2	51048-012	CAP ASSY, fuel tank	1	
3	92043-127	PIN, hinge	1	
4	51059-008	GASKET, fuel tank cap	1	
5	92043-126	PIN, hook	1	
6	51001-108-3T	TANK, fuel, Deep Burgundy	1	
	51001-108-3U	TANK, fuel, copper	1	
7	92072-050	BAND, fuel, tank	1	
8	51023-040	COCK ASSY, fuel	1	
9	51035-005	NUT, fuel cock joint	1	
10	92065-054	GASKET, fuel cock joint	1	
11	51038-005	STRAINER, fuel	1	
12	51037-007	GASKET, fuel cock cup	1	
13	92055-028	"O" RING	1	
14	51069-001	DIAPHRAGM, fuel cock	1	
15	92081-048	SPRING, fuel cock diaphragm	1	
16	92065-052	GASKET, rubber, 7 m/m	1	
17	92065-055	GASKET, fuel cock lever	1	

24. Fuel Tank (2/2)

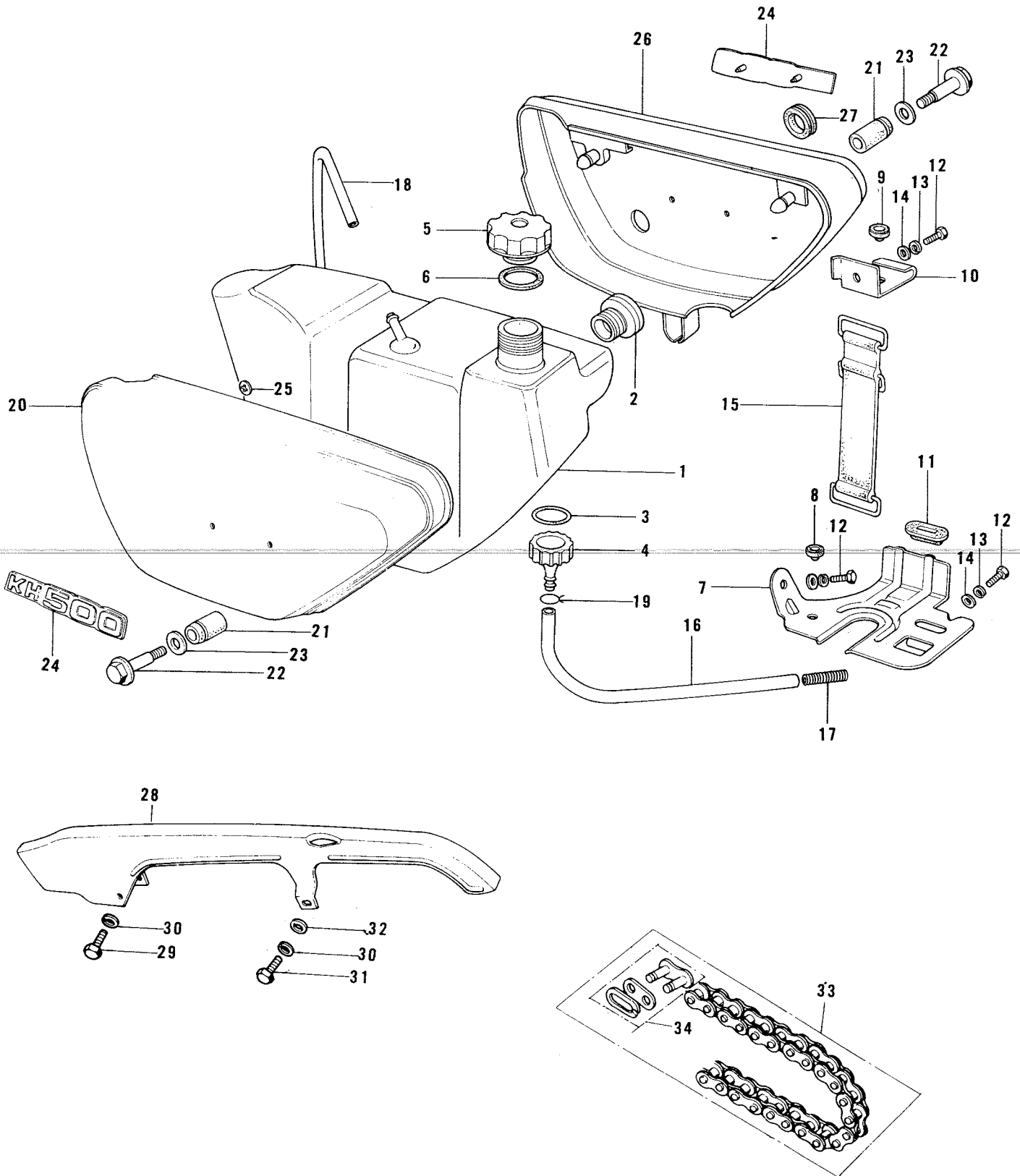
Ref. No.	Part No.	Part Name	Quantity	Remarks
18	92037-010	CLAMP, pipe	8	
19	92059-090	PIPE	3	L=160 m/m
20	92059-073	PIPE	1	L=220 m/m
21	*56014-061-SP	DECAL, fuel tank	2	
22	*56027-328-SP	DECAL, L.H. fuel tank stripe	1	} Use for Copper Color
23	*56027-329-SP	DECAL, R.H. fuel tank stripe	1	
24	*56027-330-SP	DECAL, L.H. fuel tank stripe	1	} Use for Deep Burgundy Color
25	*56027-331-SP	DECAL, R.H. fuel tank stripe	1	

*Special Solution is required for these transfer type marks.

24. Fuel Tank (2/2)



25. Oil Tank, Side Cover Chain Cover, Chain



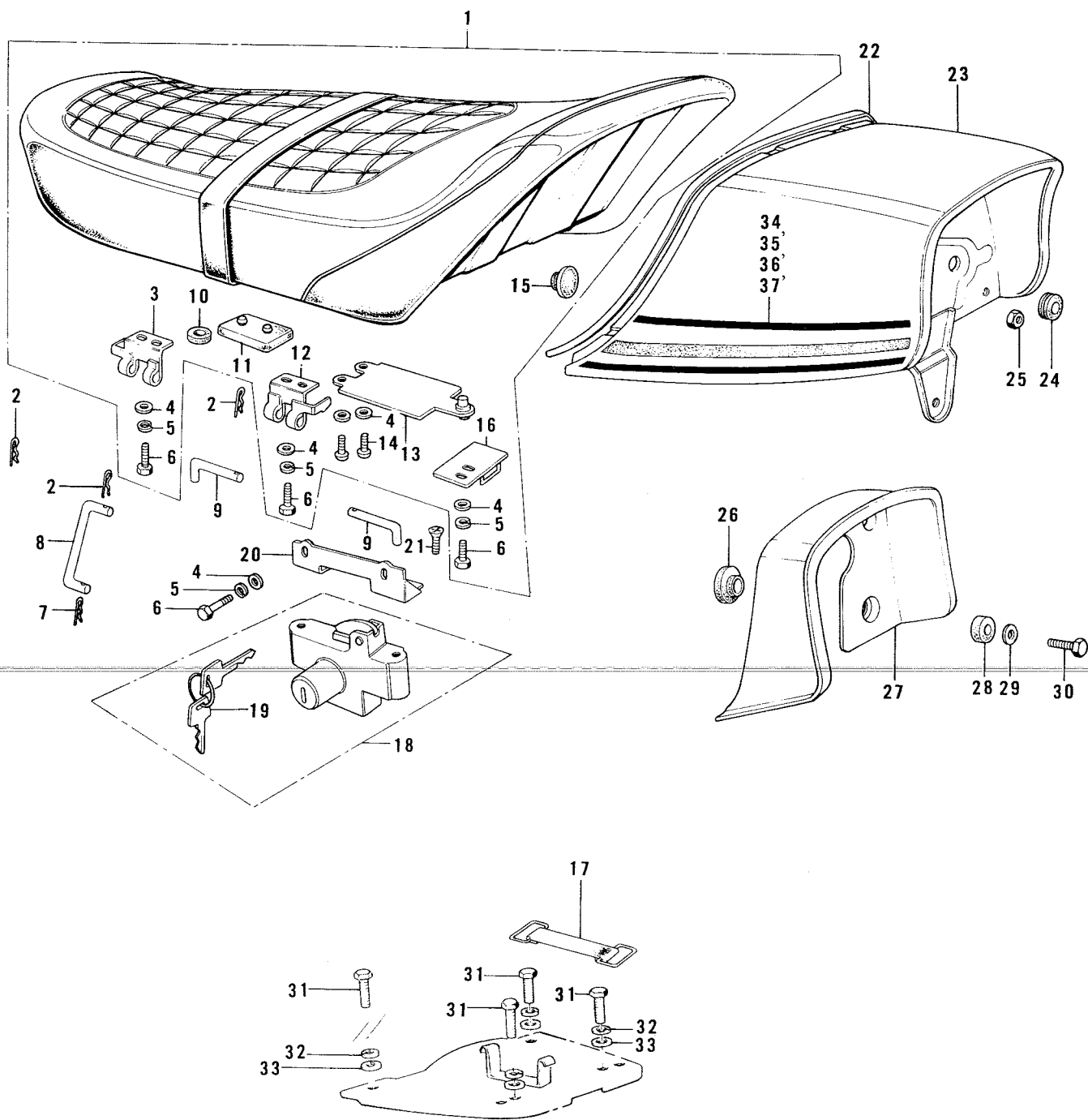
25. Oil Tank, Side Cover, Chain Cover, Chain

Ref. No.	Part No.	Part Name	Quantity	Remarks
1	52001-034	TANK, oil	1	
2	52015-005	GAUGE, oil level	1	
3	670B2015	"O" RING, 15 m/m	1	
4	52020-001	FILTER, oil	1	
5	52003-019	CAP, oil tank	1	
6	92065-085	GASKET, oil tank cap	1	
7	31101-002	PLATE, oil tank fitting lower	1	
8	92075-183	DAMPER RUBBER, lower plate	1	
9	92075-078	DAMPER RUBBER, upper plate	1	
10	32101-008	PLATE, oil tank fitting upper	1	
11	92075-166	DAMPER RUBBER, lower plate	1	
12	110B0614	BOLT, hex head, 6 x 14	3	
13	461F0600	WASHER, spring, 6 m/m	3	
14	411B0600	WASHER, plain, 6 m/m	3	
15	32100-017	BAND, oil tank	1	
16	92059-082	PIPE, oil tank	1	
17	92081-027	SPRING, coil	1	
18	700Q05600	TUBE, vinyl, 5 x 600	1	
19	92037-010	CLAMP, pipe	1	
20	36001-037-3T	COVER, L.H. side, Deep Burgundy	1	
	36001-037-3U	COVER, L.H. side, Copper	1	
21	92075-184	DAMPER RUBBER, side cover	2	
22	92007-034	BOLT, side cover fitting	2	
23	411B0800	WASHER, plain 8 m/m	2	
24	56018-213	EMBLEM, side cover	2	
25	92018-004	NUT, 5 m/m	4	
26	36007-032-3T	COVER, R.H. side, Deep Burgundy	1	
	36007-032-3U	COVER, R.H. side, Copper	1	
27	92071-065	GROMMET, R.H. side cover	1	
28	36014-053	COVER, chain	1	
29	110N0650	BOLT, hex head, 6 x 50	1	
30	461F0600	WASHER, spring, 6 m/m	2	
31	110N0614	BOLT, hex head, 6 x 14	1	
32	411D0600	WASHER, plain, 6 m/m	1	
33	92057-038	DRIVE CHAIN ASSY	1	106 Links
34	92058-006	JOINT ASSY, drive chain	1	

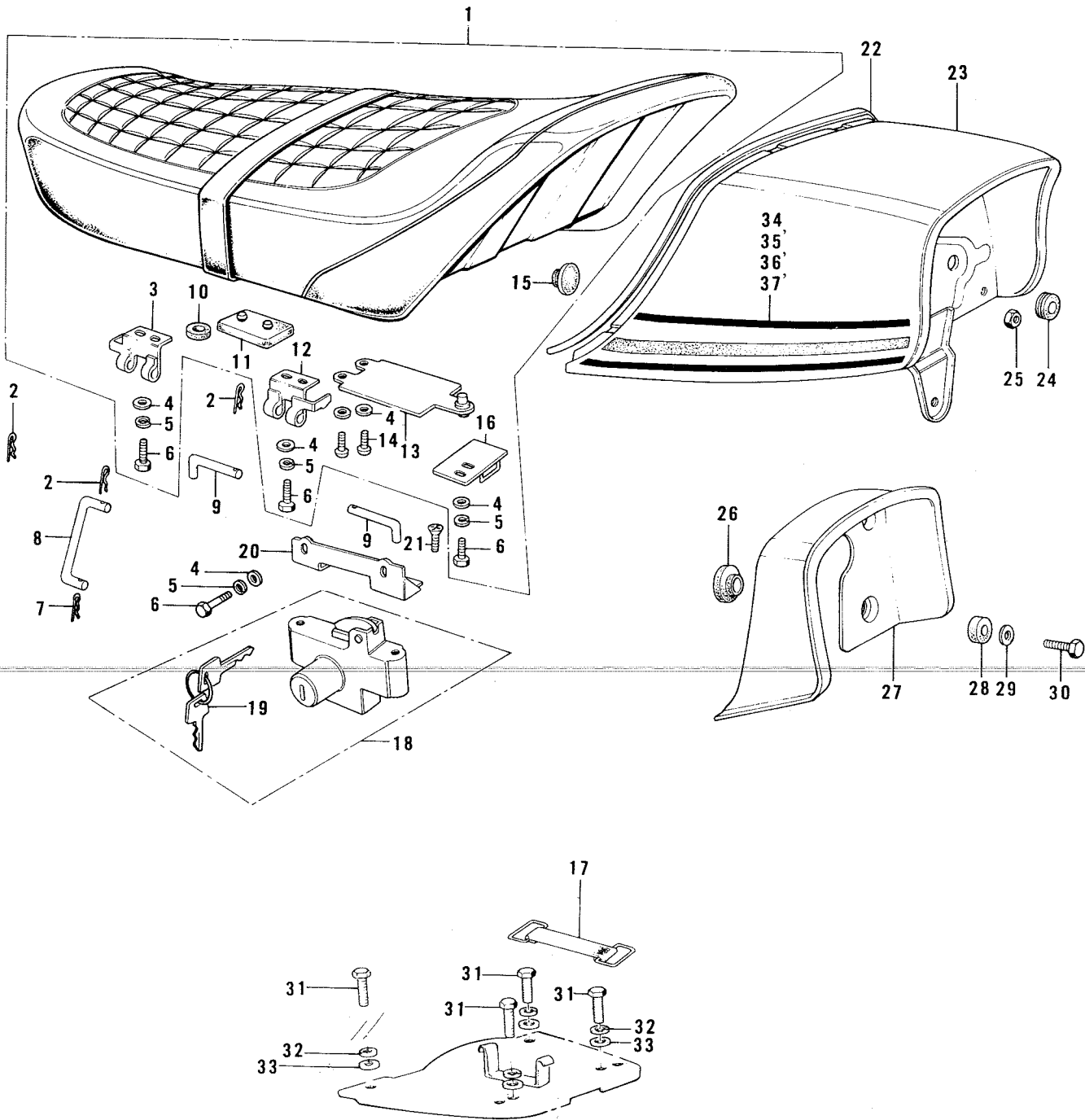
26. Dual Seat (1/2)

Ref. No.	Part No.	Part Name	Quantity	Remarks
1	53001-123	SEAT ASSY, dual	1	
2	92041-003	COTTER PIN	3	
3	53009-033	HINGE, front	1	
4	410B0600	WASHER, plain, 6 m/m	11	
5	461F0600	WASHER, spring, 6 m/m	8	
6	110B0614	BOLT, hex head, 6 x 14	8	
7	92041-006	PIN, cotter	1	
8	53054-002	HOOK, seat stand	1	
9	53011-008	PIN, dual seat pivot	2	
10	92071-056	GROMMET	1	
11	92075-139	DAMPER RUBBER, dual seat	3	
12	53009-034	HINGE, rear	1	
13	32099-011	CASE	1	
14	220B0614	SCREW, pan head, 6 x 14	2	
15	92075-099	DAMPER RUBBER, dual seat	2	
16	53008-025	HOOK	1	
17	92072-041	BAND, tool	1	
18	53045-013	HOOK ASSY	1	
19	27008-055-11	KEY SET, #911	1	
	27008-055-12	KEY SET, #912	1	
	27008-055-13	KEY SET, #913	1	
	27008-055-14	KEY SET, #914	1	
	27008-055-15	KEY SET, #915	1	
	27008-055-16	KEY SET, #916	1	
	27008-055-17	KEY SET, #917	1	
	27008-055-18	KEY SET, #918	1	
	27008-055-19	KEY SET, #919	1	
	27008-055-20	KEY SET, #920	1	
	27008-055-21	KEY SET, #921	1	
	27008-055-22	KEY SET, #922	1	
	27008-055-23	KEY SET, #923	1	
	27008-055-24	KEY SET, #924	1	
	27008-055-25	KEY SET, #925	1	
20	53010-005	BRACKET, hook	1	
21	221B0612	SCREW, countersunk head, 6 x 12	2	

26. Dual Seat (1/2)



26. Dual Seat (2/2)



26. Dual Seat (2/2)

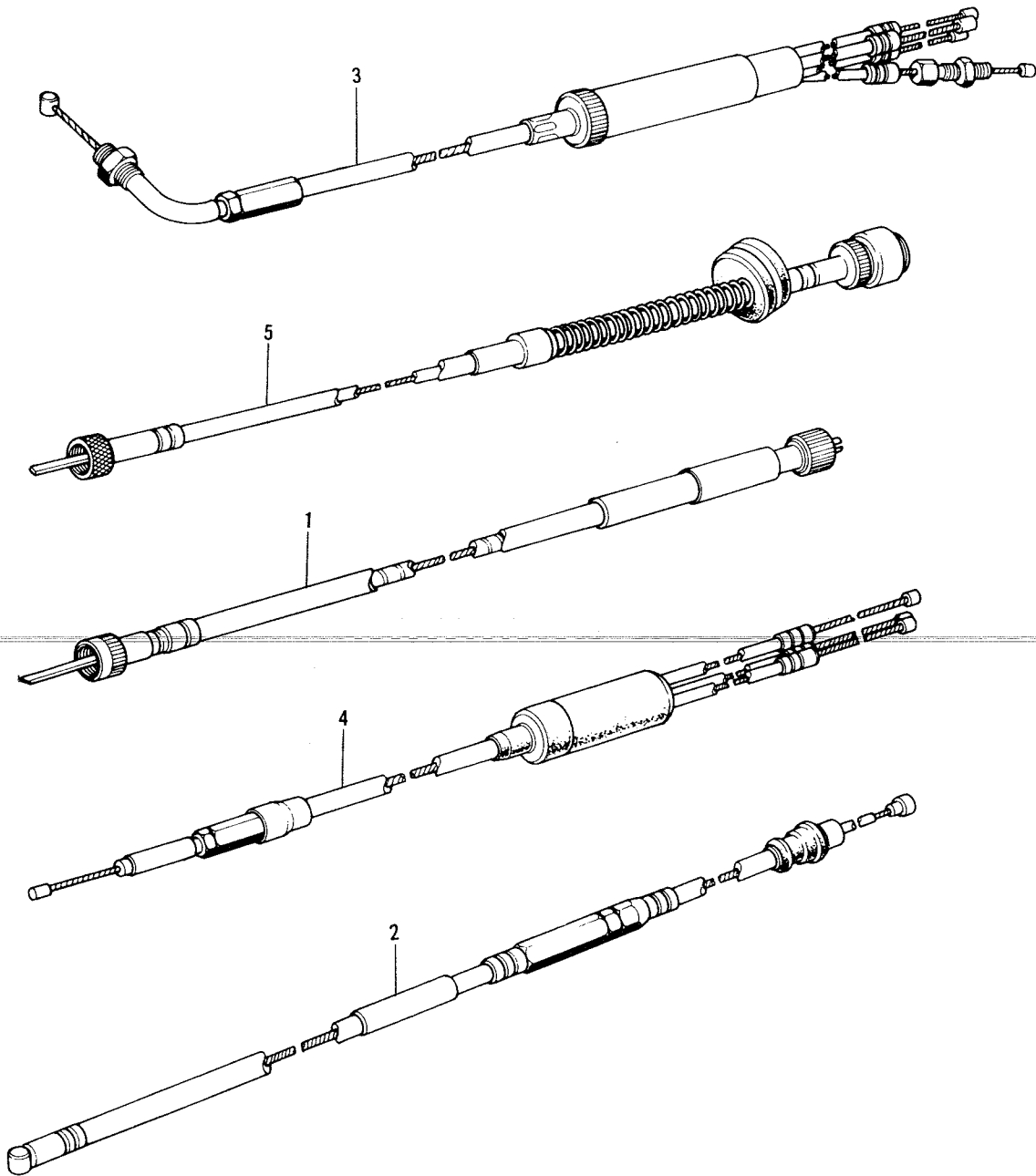
Ref. No.	Part No.	Part Name	Quantity	Remarks
22	53044-004	MOLE	1	
23	53043-006-3T	BACK REST, Deep Burgundy	1	
	53043-006-3U	BACK REST, Copper	1	
24	92071-070	GROMMET	1	
25	310B0600	NUT, 6 m/m	4	
26	92075-169	DAMPER RUBBER A, back rest	4	
27	53057-002	COVER, back rest	1	
28	92075-168	DAMPER RUBBER B, back rest	4	
29	92022-240	WASHER, plain	4	
30	92011-030	BOLT, hex head, 6 x 30	4	
31	110B0816	BOLT, hex head, 8 x 16	4	
32	461F0800	WASHER, spring, 8 m/m	4	
33	411B0800	WASHER, plain, 8 m/m	4	
34	*56027-338-SP	DECAL, L.H. back rest	1	} Use for Copper Color
35	*56027-339-SP	DECAL, R.H. back rest	1	
36	*56027-340-SP	DECAL, L.H. back rest	1	} Use for Deep Burgundy Color
37	*56027-341-SP	DECAL, R.H. back rest	1	

*Special Solution is required for these transfer type marks.

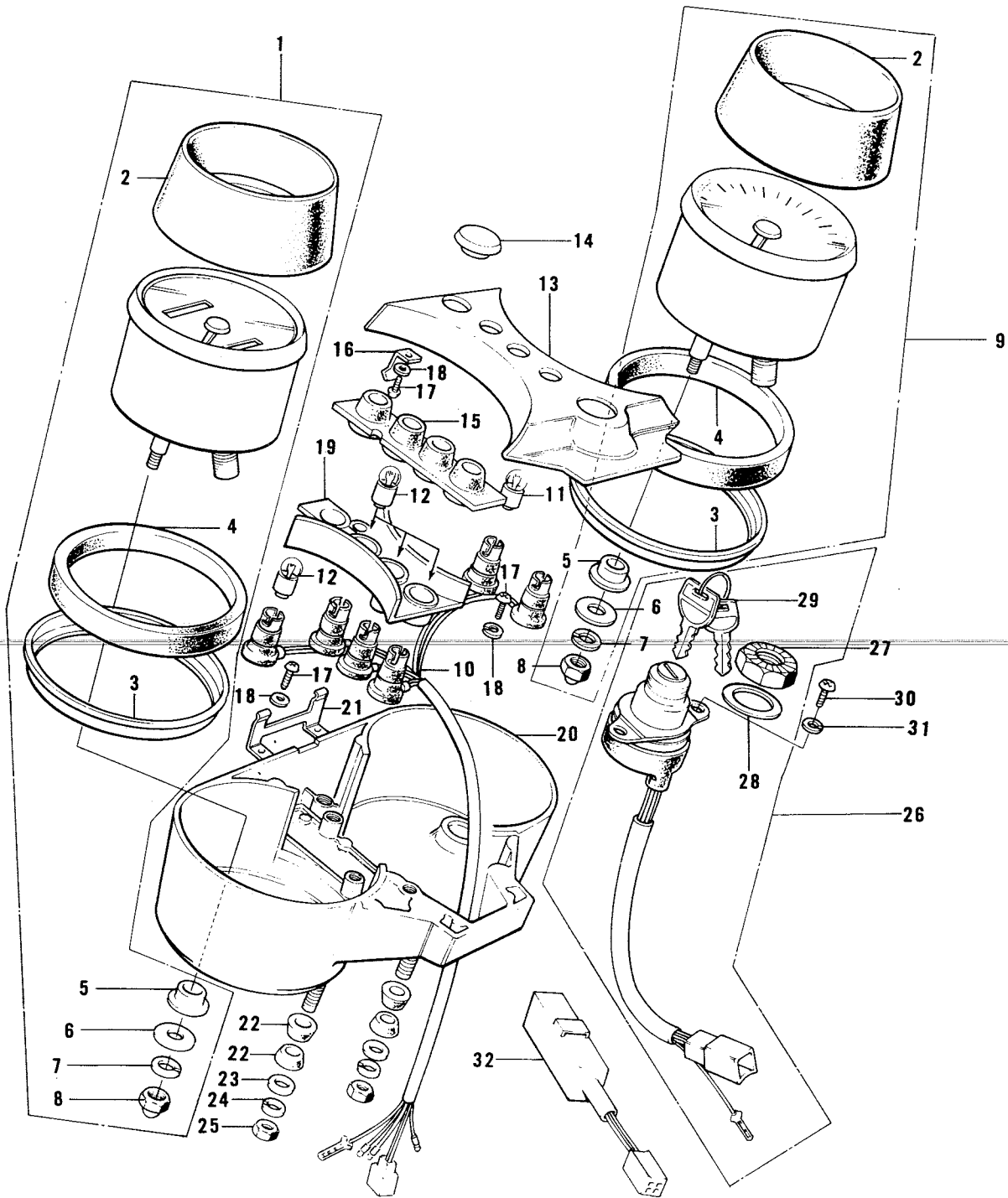
27. Cables

Ref. No.	Part No.	Part Name	Quantity	Remarks
1	54001-043	CABLE, speedometer	1	
2	54011-050	CABLE, clutch	1	
3	54012-055	CABLE, combination	1	
4	54017-054	CABLE, starter	1	
5	54018-007	CABLE, tachometer	1	

27. Cables



28. Electrical Equipment A (1/2)



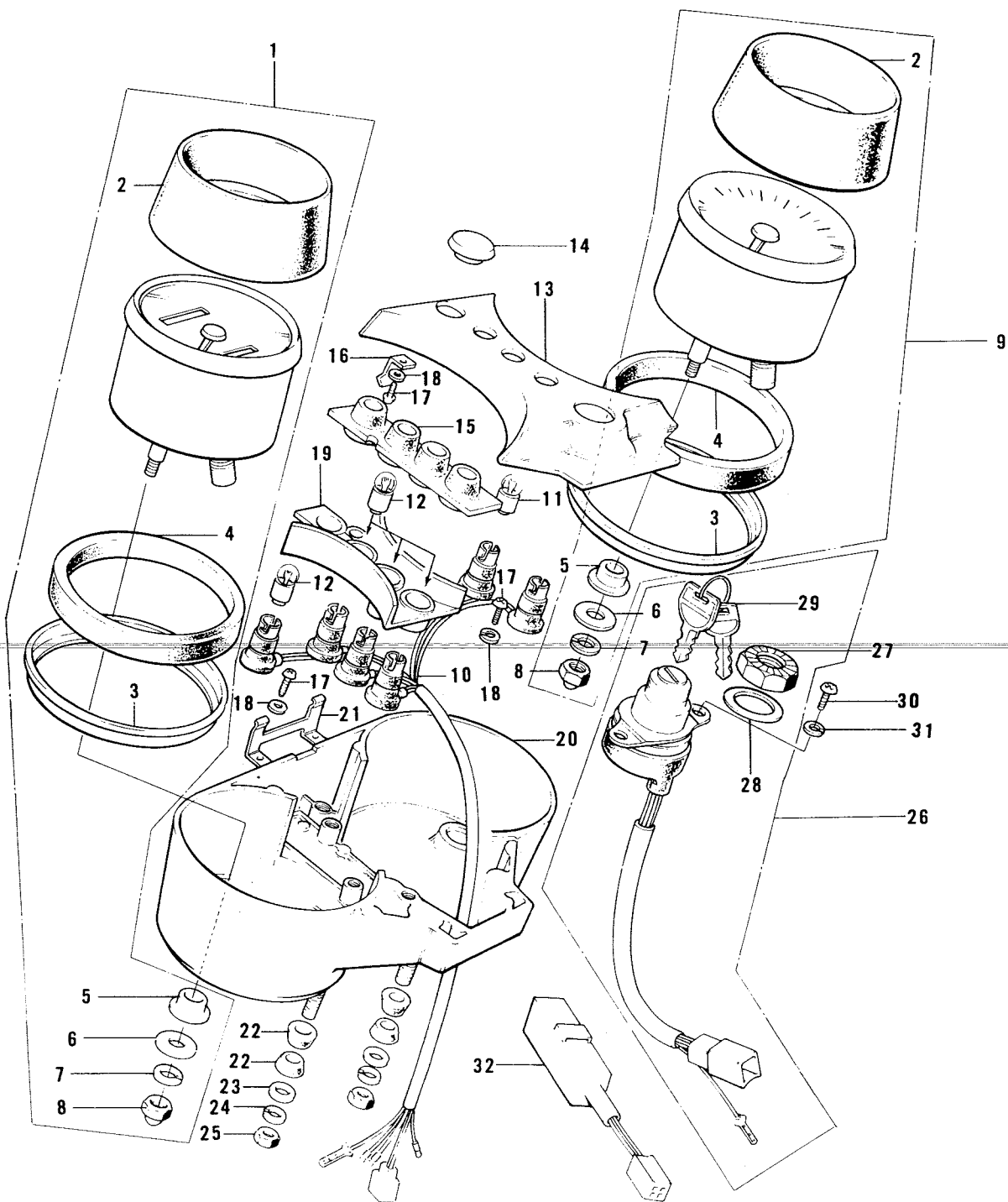
28. Electrical Equipment A (1/2)

Ref. No.	Part No.	Part Name	Quantity					Remarks
			ENGLAND	FRANCE	W. GERMANY	ITALY	OTHERS	
1	25005-122	SPEEDOMETER ASSY, MPH	1					
	25005-111	SPEEDOMETER ASSY, KPH		1	1		1	
2	25012-012	COVER, meter	2	2	2		2	
3	25026-001	RING, meter	2	2	2		2	
4	25019-015	DMAPER RUBBER, meter	2	2	2		2	
5	25019-013	DAMPER RUBBER, meter case fitting	4	4	4		4	
6	411B0500	WASHER, plain, 5 m/m	4	4	4		4	
7	461E0500	WASHER, spring, 5 m/m	4	4	4		4	
8	92015-059	NUT, cap, 5 m/m	4	4	4		4	
9	25015-026	TACHOMETER ASSY	1	1	1		1	
10	25011-040	SOCKET, meter	1	1	1		1	
11	92069-017	BULB, 12V 1.5W	1	1	1		1	
12	92069-018	BULB, 12V 3W	5	5	5		5	
13	25023-009	COVER, meter case	1	1	1		1	
14	92074-032	RUBBER PLUG	1	1	1		1	
15	25019-014	DAMPER, meter shock	1	1	1		1	
16	25014-004	HOLDER B, meter case cover	2	2	2		2	
17	220B0408A	SCREW, pan head, 4 x 8	6	6	6		6	
18	461F0400	WASHER, spring, 4 m/m	6	6	6		6	
19	25023-003	COVER, meter socket	1	1	1		1	
20	25008-026	CASE, meter	1	1	1		1	
21	25014-003	HOLDER A, meter case	1	1	1		1	
22	92075-080	DAMPER RUBBER	4	4	4		4	
23	411B0800	WASHER, plain, 8 m/m	2	2	2		2	
24	461F0800	WASHER, spring, 8 m/m	2	2	2		2	
25	310B0800	NUT, 8 m/m	2	2	2		2	
26	27005-054	SWITCH ASSY, ignition	1	1	1		1	
27	27007-003	NUT, ignition switch	1	1	1		1	
28	27019-002	WASHER, ignition switch	1	1	1		1	
29	27008-055-11	KEY SET, #911	1	1	1		1	
	27008-055-12	KEY SET, #912	1	1	1		1	
	27008-055-13	KEY SET, #913	1	1	1		1	
	27008-055-14	KEY SET, #914	1	1	1		1	
	27008-055-15	KEY SET, #915	1	1	1		1	

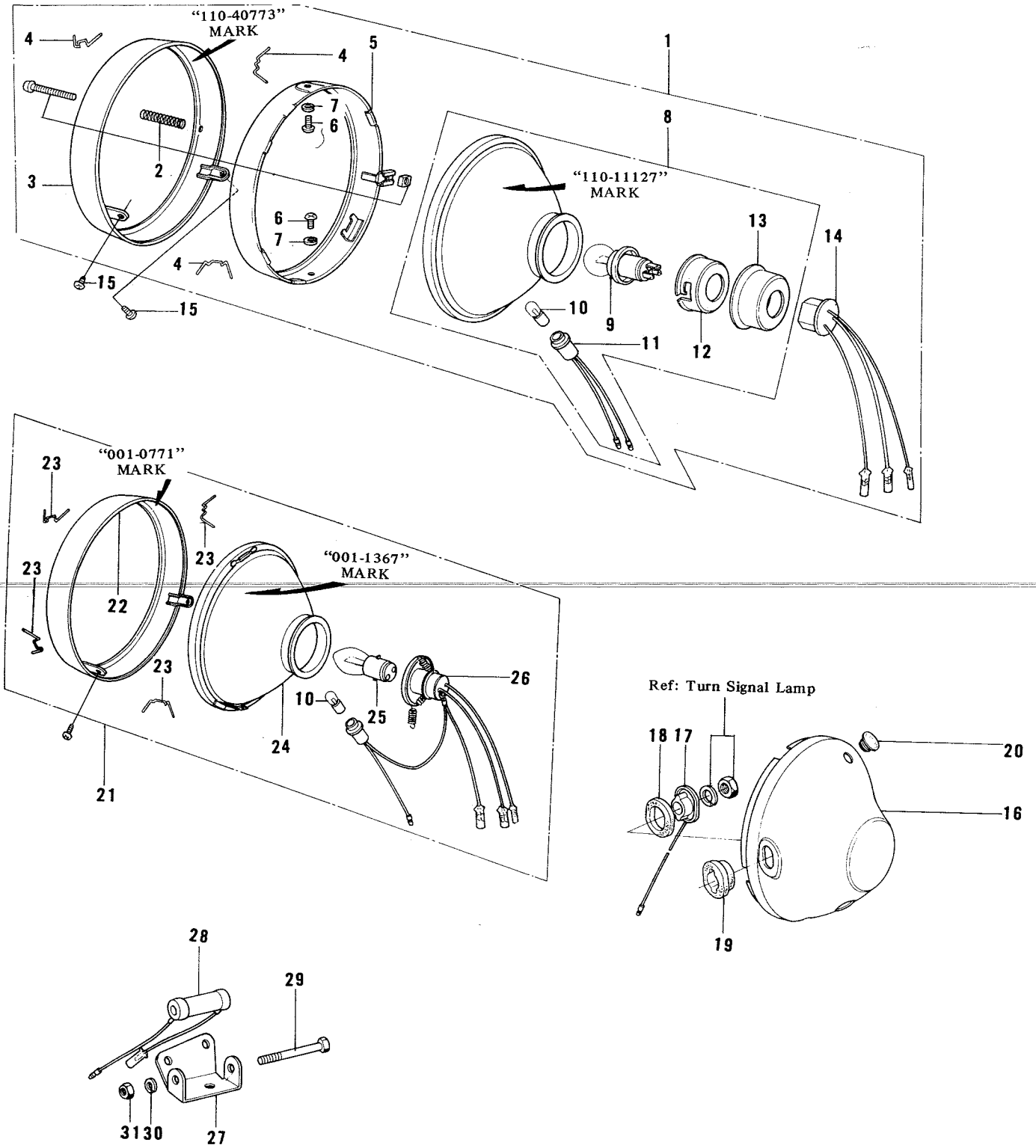
28. Electrical Equipment A (2/2)

Ref. No.	Part No.	Part Name	Quantity					Remarks
			ENGLAND	FRANCE	W. GERMANY	ITALY	OTHERS	
	27008-055-16	KEY SET, #916	1	1	1		1	
	27008-055-17	KEY SET, #917	1	1	1		1	
	27008-055-18	KEY SET, #918	1	1	1		1	
	27008-055-19	KEY SET, #919	1	1	1		1	
	27008-055-20	KEY SET, #920	1	1	1		1	
	27008-055-21	KEY SET, #921	1	1	1		1	
	27008-055-22	KEY SET, #922	1	1	1		1	
	27008-055-23	KEY SET, #923	1	1	1		1	
	27008-055-24	KEY SET, #924	1	1	1		1	
	27008-055-25	KEY SET, #925	1	1	1		1	
30	220B0508A	SCREW, pan head, 5 x 8	2	2	2		2	
31	461F0500	WASHER, spring, 5 m/m	2	2	2		2	
32	28019-001	SWITCH, brake switch outage indicator	1	1	1		1	

28. Electrical Equipment A (2/2)



29. Electrical Equipment B



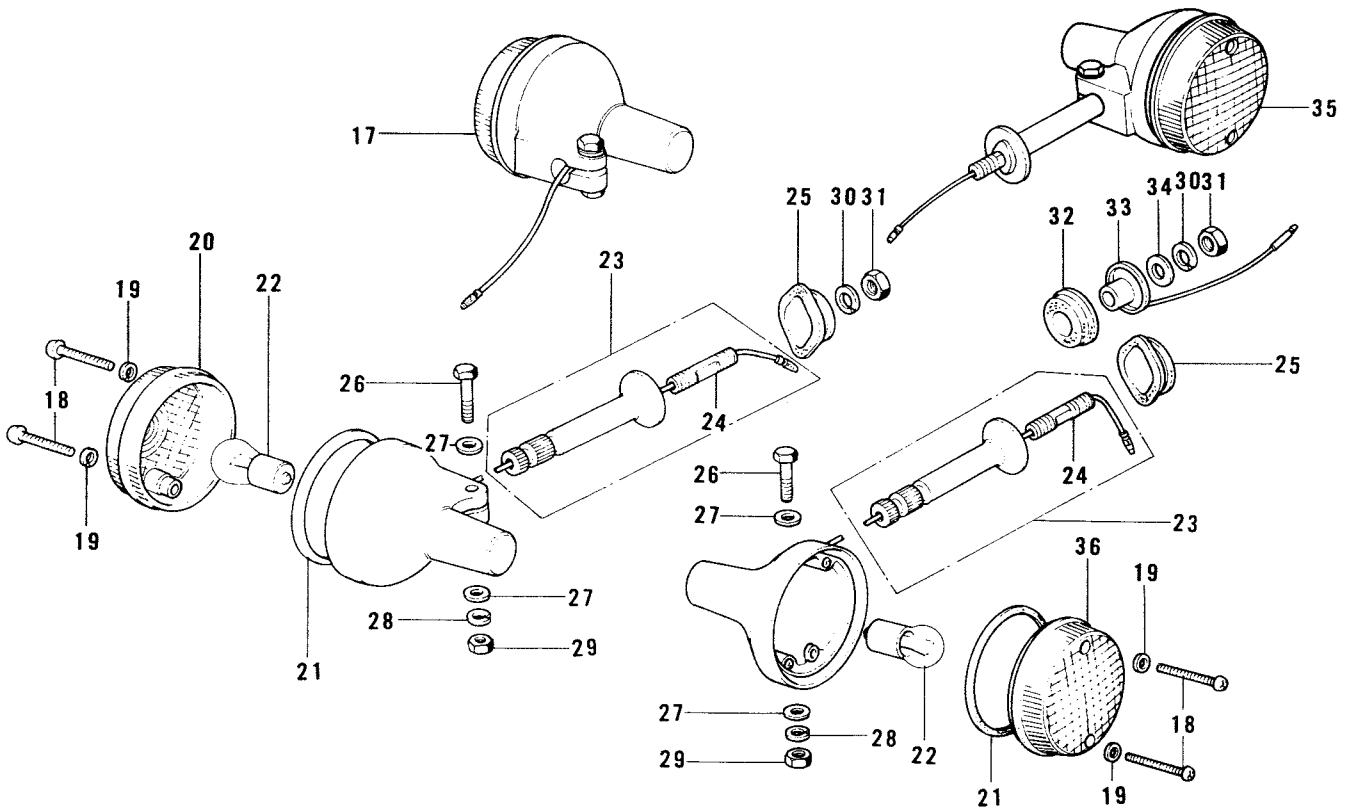
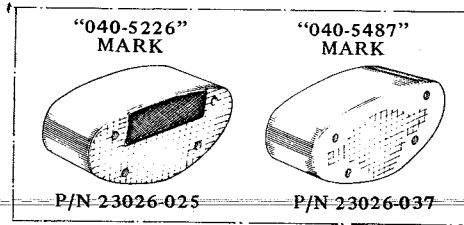
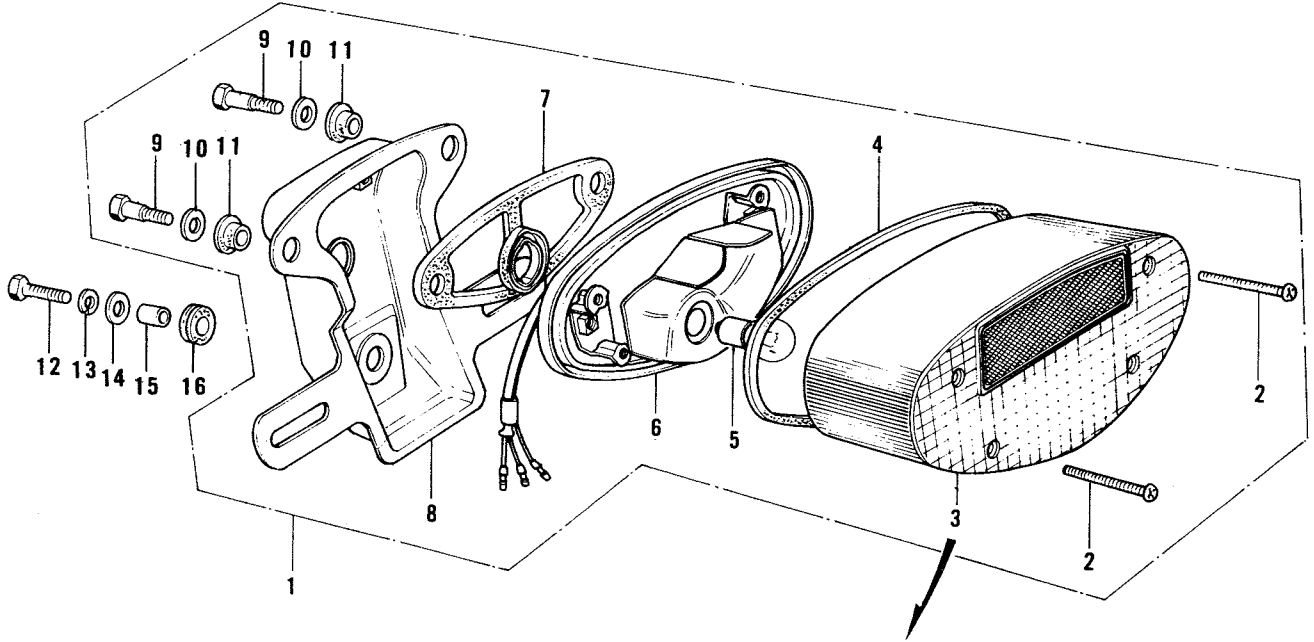
29. Electrical Equipment B

Ref. No.	Part No.	Part Name	Quantity					Remarks
			ENGLAND	FRANCE	W.GERMANY	ITALY	OTHERS	
1	23004-058	LAMP UNIT, head			1		1	
	23004-059	LAMP UNIT, head		1				
2	23013-004	ADJUSTER SET, focus	1	1	1		1	
3	23006-045	RIM, head lamp		1	1		1	
4	23009-017	CLAMP, head lamp rim		3	3		3	
5	23072-004	RING, head lamp mounting	1	1	1		1	
6	23019-028	SCREW, pan head, 5 x 6	2	2	2		2	
7	461F0500	WASHER, spirng, 5 m/m	2	2	2		2	
8	23007-062	LENS UNIT, head lamp			1		1	
	23007-060	LENS UNIT, head lamp		1				
9		BULB, 12V-45/40W			1		1	} Local Procurement Items
		BULB, 12V-45/40W yellow collored		1				
10		BULB, 12V-4W	1	1	1		1	
11	23008-042	SOCKET, parking lamp		1	1		1	
12	23084-001	HOLDER, socket		1	1		1	
13	23085-001	COVER, socket		1	1		1	
14	23008-044	SOCKET, head lamp bulb		1	1		1	
15	23019-022	SCREW, pan head, 5 x 14	2	2	2		2	
16	23005-037-21	BODY, head lamp	1	1	1		1	Flat Black
17	23076-005	COLLAR, head lamp body	2	2	2		2	
18	23066-001	DAMPER RUBBER A	2	2	2		2	
19	23066-005	DAMPER RUBBER B	2	2	2		2	
20	92074-006	PLUG, rubber	1	1	1		1	
21	23004-066	LAMP UNIT, head	1					
22	23006-031	RIM, head lamp	1					
23	23009-012	CLAMP, head lamp rim	4					
24	23007-067	LENS UNIT, head lamp	1					
25		BULB, 12V-45/40W	1					Local Procurement Item
26	23008-032	SOCKET, head lamp	1					
27	32122-051	BRACKET, resister	1	1	1		1	
28	26019-005	RESISTOR, 20W-0.5Ω	1	1	1		1	
29	110B0863	BOLT, hex head, 8 x 63	1	1	1		1	
30	461F0800	WASHER, spirng, 8 m/m	1	1	1		1	
31	312B0800	NUT, 8 m/m	1	1	1		1	

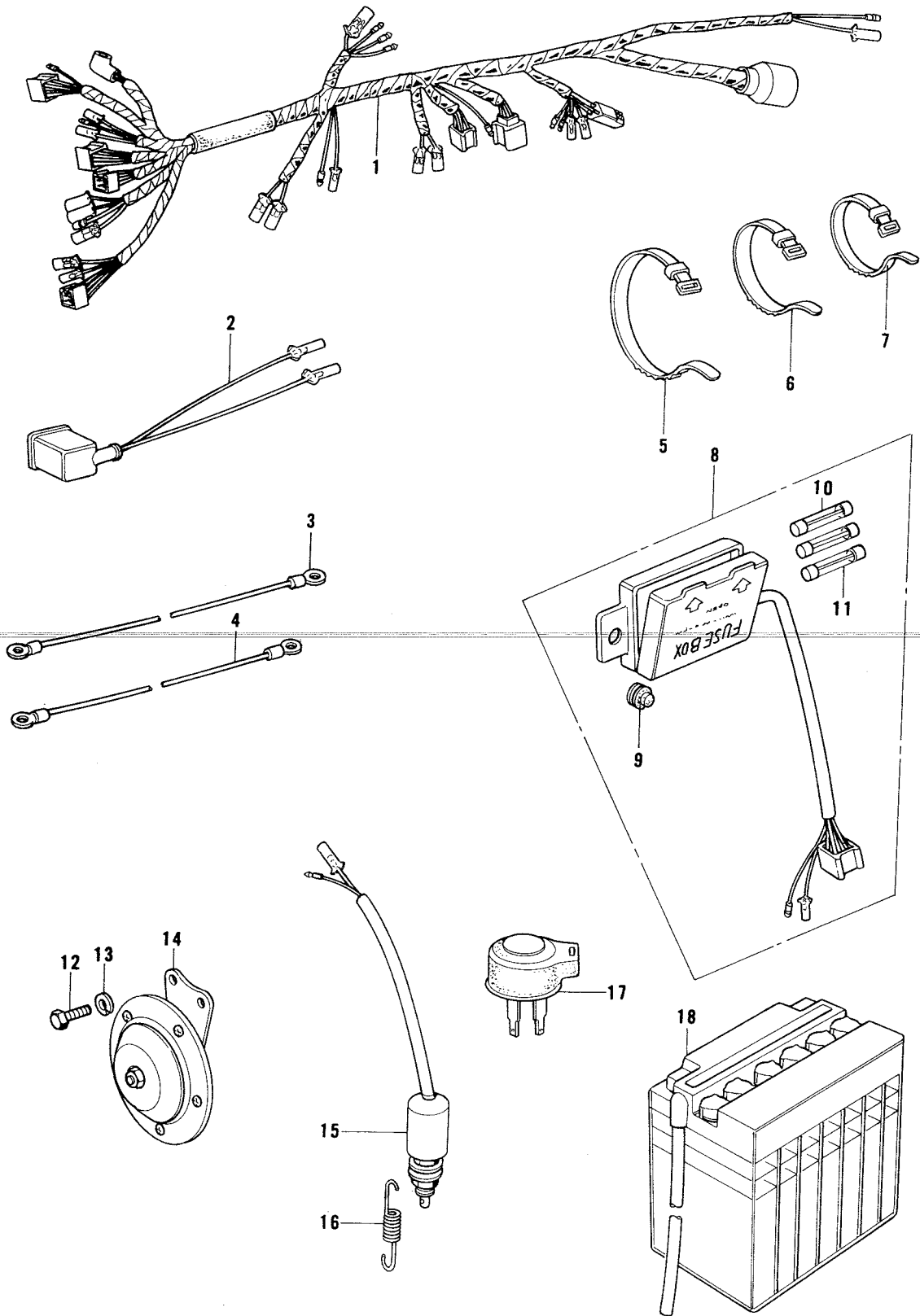
30. Electrical Equipment C

Ref. No.	Part No.	Part Name	Quantity					Remarks
			ENGLAND	FRANCE	W. GERMANY	ITALY	OTHERS	
1	23024-031-21	LAMP ASSY, tail	1	1			1	Flat Black
	23024-075-21	LAMP ASSY, tail			1			Flat Black
2	220E0455A	SCREW, pan head, 4 x 55	4	4	4		4	
3	23026-025	LENS, tail lamp	1	1			1	
	23026-037	LENS, tail lamp			1			
4	23028-016	GASKET, tail lamp lens	1	1	1		1	
5		BULB, 12V 21/5W	1	1	1		1	Procurement Item
6	23027-033	CASE, tail lamp	1	1	1		1	
7	23028-015	GASKET, tail lamp case	1	1	1		1	
8	23036-024-21	BRACKET, license plate	1	1	1		1	Flat Black
9	92001-105	BOLT	2	2	2		2	
10	92022-195	WASHER, plain	2	2	2		2	
11	92075-091	DAMPER RUBBER, bracket	2	2	2		2	
12	110B0622	BOLT, hex head, 6 x 22	3	3	3		3	
13	461F0600	WASHER, spring, 6 m/m	3	3	3		3	
14	92022-125	WASHER, plain, 6 m/m	3	3	3		3	
15	92027-120	COLLAR	3	3	3		3	
16	92075-112	DAMPER RUBBER	3	3	3		3	
17	23040-045	LAMP ASSY, front turn signal	2	2	2		2	
18	220E0420A	SCREW, pan head, 4 x 20	8	8	8		8	
19	23058-002	WASHER, plain, 4 m/m	8	8	8		8	
20	23048-013	LENS, front turn signal lamp	2	2	2		2	"045-6588" MARK
21	23050-003	GASKET, turn signal lamp lens	4	4	4		4	
22		BULB, 12V 21W	4	4	4		4	Procurement Item
23	23078-001	BRACKET, turn signal lamp	4	4	4		4	
24	23073-001	BOLT SET, signal lamp bracket	4	4	4		4	
25	92075-128	DAMPER RUBBER	4	4	4		4	
26	110N0630	BOLT, hex head, 6 x 30	4	4	4		4	
27	411D0600	WASHER, plain, 6 m/m	8	8	8		8	
28	461F0600	WASHER, spring, 6 m/m	4	4	4		4	
29	310N0600	NUT, 6 m/m	4	4	4		4	
30	461F1000	WASHER, spring, 10 m/m	4	4	4		4	
31	315B1000	NUT, 10 m/m	4	4	4		4	
32	92075-158	DAMPER RUBBER	2	2	2		2	
33	23076-003	COLLAR SET	2	2	2		2	
34	411B1000	WASHER, plain, 10 m/m	2	2	2		2	
35	23040-046	LAMP ASSY, rear turn signal	2	2	2		2	
36	23048-016	LENS, rear turn signal lamp	2	2	2		2	"045-6680" MARK

30. Electrical Equipment C



31. Electrical Equipment D



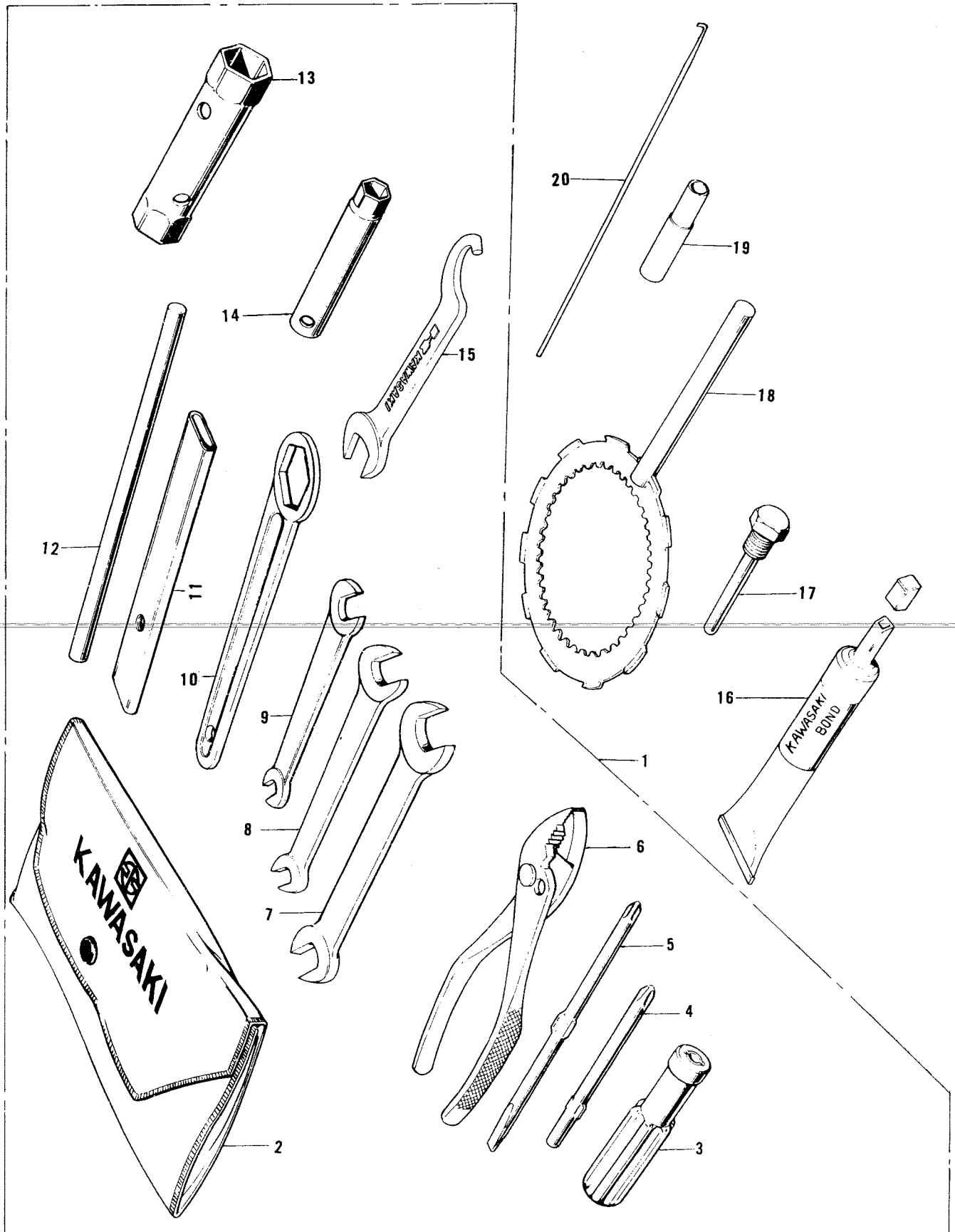
31. Electrical Equipment D

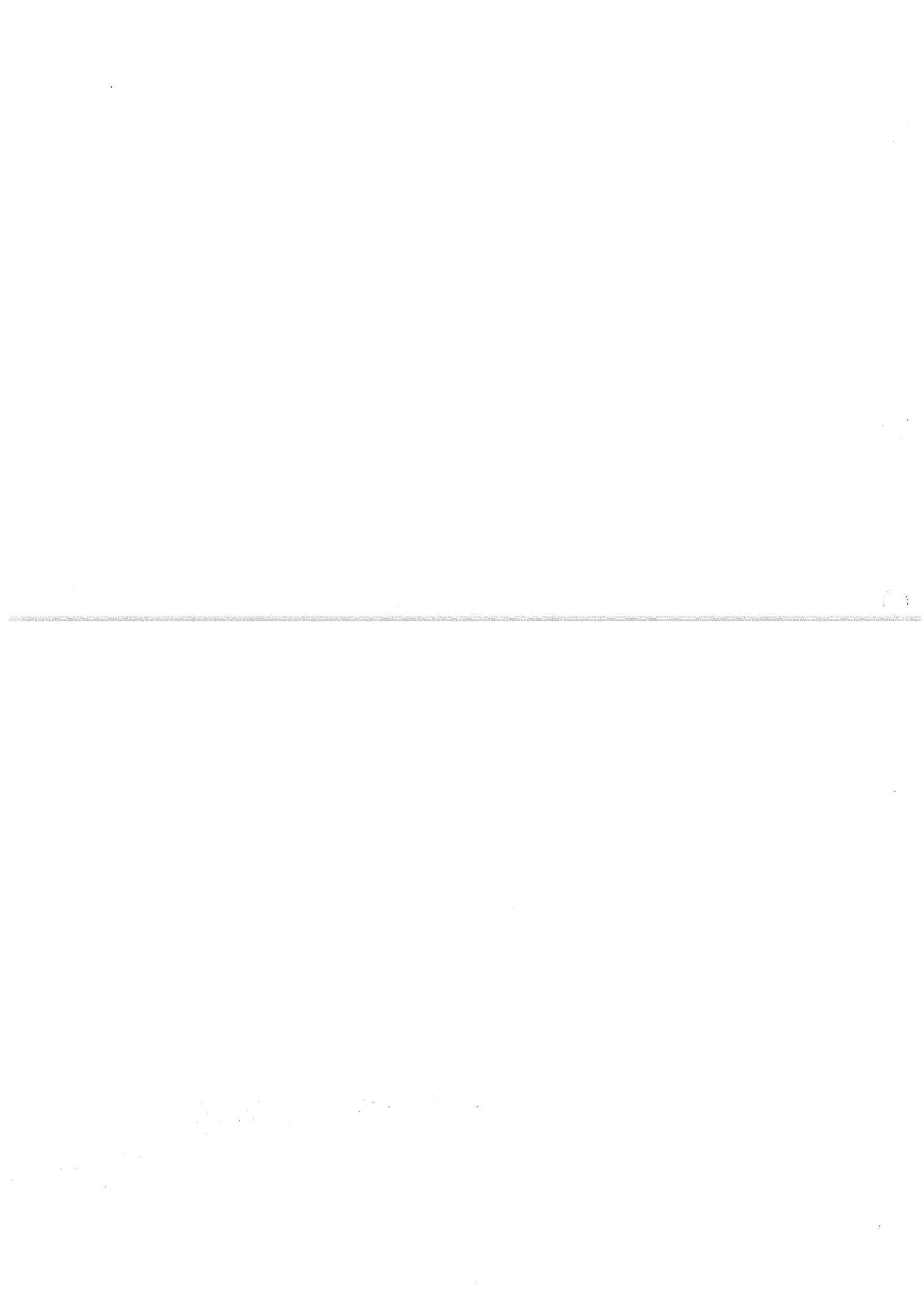
Ref. No.	Part No.	Part Name	Quantity	Remarks
1	26001-131	WIRING HARNESS, main	1	
2	26011-092	WIRE, battery lead	1	
3	26010-023	WIRE, battery ground lead	1	
4	26011-084	WIRE, crankcase lead	1	
5	92072-056	BAND, rubber	5	L=186 m/m
6	92072-031	BAND, rubber	5	L=149 m/m
7	92072-030	BAND, rubber	4	L=123 m/m
8	26004-035	FUSE ASSY	1	
9	92075-279	DAMPER RUBBER, fuse	1	
10	26006-005	FUSE, 20A	3	
11	26006-003	FUSE, 10A	2	
12	110B0818	BOLT, hex head, 8 x 18	2	
13	461F0800	WASHER, spring, 8 m/m	2	
14	27003-067	HORN	1	
15	27010-015	SWITCH, brake lamp	1	
16	27011-017	SPRING, brake lamp switch	1	
17	27002-011	RELAY, turn signal	1	
18	26012-028	BATTERY, 12V 9AH	1	

32. Tools, Optional Parts

Ref. No.	Part No.	Part Name	Quantity	Remarks
1	56007-054	TOOL KIT	1	
2	56008-007	BAG, tool	1	
3	92106-002	GRIP, screw driver	1	
4	92107-005	SCREW DRIVER, #3 phillips	1	
5	92107-003	SCREW DRIVER, #2 phillips & slot	1	
6	92112-003	PLIERS, 150 m/m	1	
7	92126-003	WRENCH, open end, 14 x 17	1	
8	92126-002	WRENCH, open end, 12 x 13	1	
9	92126-001	WRENCH, open end, 8 x 10	1	
10	92109-009	WRENCH, box, 27 m/m	1	
11	92111-004	WRENCH, extender	1	
12	92111-005	LEVER	1	
13	92110-012	WRENCH, box, 17 x 21	1	
14	92110-007	WRENCH, box, 10 m/m	1	
15	92126-012	WRENCH, hook, 22 m/m	1	
16	92104-002	LIQUID GASKET	(100g Tube)	
17	21012-001	ROTOR PULLER	(1)	} Option
18	56019-067	HOLDER, clutch	(1)	
19	57001-132	HOLDER, boots stopper	(1)	
20	56019-111	REMOVER, boots	(1)	

32. Tools, Optional Parts





Numerical Parts Index

* : Indicates the Newly developed parts for Kawasaki Model KH500-A8

Part No.	Page	Q'ty	Part No.	Page	Q'ty
110B0608	35	1	13001-031	6	3
110B0612	27	5	13002-010	6	3
110B0612	22	3	13008-041	6	3
110B0614	58	3	13024-048	6	3
110B0614	59	8	13025-044	6	3
110B0614	42	4	13027-031	6	3
110B0616	22	2	13029-031	6	3
110B0616	27	1	13031-049	6	1
110B0618	7	5	13033-016	6	3
110B0618	19	2	13061-020	15	1
110B0620	34	1	13063-004	15	1
110B0622	71	3	13064-016	15	1
110B0625	27	1	13068-015	15	1
110B0628	27	1	13070-001	15	1
110B0636	42	2	13071-003	15	1
110B0814	22	6	13072-006	15	1
110B0816	62	4	13077-002	15	1
110B0816	42	4	13080-004	14	1
110B0818	74	2	13081-071	7	1
110B0822	14	1	13087-030	7	1
110B0825	51	1	13088-034	7	7
110B0835	31	2	13089-013	7	6
110B0845	27	2	13091-009	7	5
110B0863	70	1	13092-005	7	5
110B0870	19	1	13095-018	7	1
110N0614	58	1	13116-009	7	1
110N0622	46	1	13116-010	7	1
110N0625	46	2	13116-011	7	1
110N0625	35	1	13118-015	7	1
110N0630	71	4	13121-013	6	1
110N0632	46	1	13127-019	10	1
* 110N0650	58	1	13128-020	11	1
11001-C98-2H	2	2	13129-024	11	1
11001-099-2H	2	1	13130-017	10	1
11004-048	2	3	13131-011	11	1
11005-122-2H	2	1	13132-014	10	1
11005-123-2H	2	1	13133-015	11	1
11005-124-2H	2	1	13134-003	10	1
11009-019	2	3	13135-007	11	1
* 11010-097	22	1	13136-041	10	1
* 11011-056	22	1	13137-010	11	1
11012-011	22	1	13140-014	10	1
* 11012-061	22	1	13140-013	10	1
* 11012-062	22	1	13140-064	10	1
* 11013-057	22	1	13142-004	10	1
11015-033	22	1	13144-030	10	1
11017-C09	22	1	13144-035	10	1
* 11017-013	22	1	13144-036	10	1
113B10125	27	2	* 13145-006	11	1
113N1035	31	2	* 13147-005	10	1

Numerical Parts Index

* : Indicates the Newly developed parts for Kawasaki Model KH500-A8

Part No.	Page	Q'ty	Part No.	Page	Q'ty
13151-012	26	1	16022-005	23	3
13242-011	14	1	16022-007	23	3
13157-004	14	1	16024-005	23	3
13158-011	14	1	16025-048	23	3
13159-007	14	1	16029-004	23	6
13159-008	14	1	16030-005	23	3
* 13161-045	14	1	16031-023	23	3
13169-005	14	1	16032-003	23	3
13187-005	7	1	16033-009	23	12
13197-006	7	1	16034-001	23	3
13224-005	18	1	16036-004	23	3
13226-004	18	1	16036-005	23	3
13229-001	7	7	16051-002	23	3
13231-018	7	1	16055-013	23	3
* 13239-023	10	1	16060-009	2	3
13245-009	15	1	16061-010	2	3
* 14001-078	3	1	16062-011	2	6
14013-001	3	1	16068-004	26	1
14013-004	3	2	16082-040	26	1
14015-001	3	1	16084-010	6	1
14017-010	3	2	16085-011	18	1
14017-011	3	2	16088-002	26	1
14017-012	3	2	16089-001	26	1
14017-013	3	2	16090-002	26	3
* 14026-034-80	18	1	16090-003	26	1
14027-016-80	18	1	16091-001	26	1
14030-036-80	18	1	16094-002	26	1
14031-060-80	18	1	16096-003	26	1
14032-097-80	18	1	16115-017	18	1
14045-012	18	1	16128-008	3	3
14046-014	18	1	16134-007	26	1
14050-008	18	1	16134-008	26	1
14051-003	3	3	16134-009	26	2
* 16001-276	23	2	172G0622	3	3
* 16001-277	23	1	172G0635	3	4
16002-002	23	6	172G0650	3	3
16003-004	23	6	172G0675	3	4
16004-006	23	3	172G0685	3	1
16005-016	23	3	172G0820	2	6
16006-012	23	3	172G0825	2	6
16007-007	23	3	172G0835	38	4
16008-004	23	3	172G0875	3	12
16009-049	23	3	172G1060	3	8
16012-008	23	3	172G1075	3	2
16013-003	23	3	172G1090	3	2
16014-006	23	3	* 18001-177	22	1
16016-002	23	3	* 18001-178	22	1
16017-062	23	3	* 18001-179	22	1
16019-008	23	3	18033-064	22	3
16021-003	23	3	18061-049	22	1

Numerical Parts Index

* : Indicates the Newly developed parts for Kawasaki Model KH500-A8

Part No.	Page	Q'ty	Part No.	Page	Q'ty
18061-050	22	1	220B0616	14	1
18067-013	2	3	220B0620	18	2
18069-049	22	3	220B0620	3	6
18070-007	22	3	220B0625	10	1
* 21003-033	19	1	220B0625	18	1
21007-027	19	1	220B0630	18	7
21007-028	19	1	220B0635	18	2
21012-001	75	1	220B0645	18	1
21020-003	19	1	220B0645	22	2
21072-008	19	1	220B0655	18	3
* 21076-022	19	1	220B0685	18	1
21088-013	19	3	220E0420A	71	8
21088-014	19	2	220E0455A	71	4
21098-010	19	4	220E0614	42	4
21098-011	19	3	221B0308A	35	1
211B0616	3	1	221B0612	59	2
21119-019	19	1	221B0616	26	1
21119-025	19	1	23004-058	70	1
21121-087	19	3	23004-059	70	1
21130-023	19	3	23004-066	70	1
21152-004	19	1	23005-037-21	70	1
21152-005	19	1	23006-031	70	1
21155-007	19	1	23006-045	70	1
21168-001	19	1	23007-060	70	1
21168-002	19	1	23007-062	70	1
21168-003	19	1	23007-067	70	1
212B0616	14	1	23008-032	70	1
220B0305A	35	2	23008-042	70	1
220B0408A	19	8	23008-044	70	1
220B0408A	38	2	23009-012	70	4
220B0408A	66	6	23009-017	70	3
220B0506A	19	6	23013-004	70	1
220B0508A	67	2	23019-022	70	2
220B0512A	19	3	23019-028	70	2
220B0512A	50	2	23024-031-21	71	1
220B0512A	19	5	* 23024-075-21	71	1
220B0514A	26	1	23026-025	71	1
220B0522A	35	2	* 23026-037	71	1
220B0528A	26	1	23027-033	71	1
220B0530A	35	1	23028-015	71	1
220B0535A	35	1	23028-016	71	1
220B0550A	19	3	23036-024-21	71	1
220B0610	26	1	23040-045	71	2
220B06100	18	2	23040-046	71	2
220B06110	22	1	23048-013	71	2
220B0612	47	1	23048-016	71	2
220B0614	42	2	23050-003	71	4
220B0614	10	1	23058-002	71	8
220B0614	59	2	23066-001	70	2
220B0616	7	2	23066-005	70	2

Numerical Parts Index

* : Indicates the Newly developed parts for Kawasaki Model KH500-A8

Part No.	Page	Q'ty	Part	Part No.	Page	Q'ty
23072-004	70	1		27008-055-15	66	1
23073-001	71	4		27008-055-15	59	1
23076-003	71	2		27008-055-15	39	1
23076-005	70	2		27008-055-15	54	1
23078-001	71	4		27008-055-16	39	1
23084-001	70	1		27008-055-16	54	1
23085-001	70	1		27008-055-16	59	1
25005-111	66	1		27008-055-16		1
25005-122	66	1		27008-055-17	67	1
25008-026	66	1		27008-055-17	59	1
25011-040	66	1		27008-055-17	54	1
25012-012	66	2		27008-055-17	39	1
25014-003	66	1		27008-055-18	54	1
25014-004	66	2		27008-055-18	39	1
25015-026	66	1		27008-055-18	67	1
25019-013	66	4		27008-055-18	59	1
25019-014	66	1		27008-055-19	67	1
25019-015	66	2		27008-055-19	59	1
25023-003	66	1		27008-055-19	54	1
25023-009	66	1		27008-055-19	39	1
25026-001	66	2		27008-055-20	54	1
* 26001-131	74	1		27008-055-20	39	1
* 26004-035	74	1		27008-055-20	59	1
26006-003	74	2		27008-055-20	67	1
26006-005	74	3		27008-055-21	59	1
26010-023	74	1		27008-055-21	67	1
26011-084	74	1		27008-055-21	39	1
* 26011-092	74	1		27008-055-21	54	1
26012-028	74	1		27008-055-22	54	1
26019-005	70	1		27008-055-22	39	1
27002-011	74	1		27008-055-22	59	1
27003-067	74	1		27008-055-22	67	1
27005-054	66	1		27008-055-23	67	1
27007-003	66	1		27008-055-23	59	1
27008-055-11	59	1		27008-055-23	39	1
27008-055-11	66	1		27008-055-23	54	1
27008-055-11	54	1		27008-055-24	54	1
27008-055-11	39	1		27008-055-24	39	1
27008-055-12	39	1		27008-055-24	67	1
27008-055-12	54	1		27008-055-24	59	1
27008-055-12	59	1		27008-055-25	59	1
27008-055-12	66	1		27008-055-25	67	1
27008-055-13	59	1		27008-055-25	54	1
27008-055-13	66	1		27008-055-25	39	1
27008-055-13	54	1		27010-015	74	1
27008-055-13	39	1		27011-017	74	1
27008-055-14	39	1		27016-038	39	1
27008-055-14	54	1		27019-002	66	1
27008-055-14	59	1		27031-004	39	1
27008-055-14	66	1		27031-005	39	1

Numerical Parts Index

* : Indicates the Newly developed parts for Kawasaki Model KH500-A8

Part No.	Page	Q'ty	Part No.	Page	Q'ty
27032-001	39	1	33034-009	31	2
28012-015	42	1	33035-007	31	2
28013-008	42	1	33040-056	31	2
28019-001	67	1	33044-002	31	2
29170625	7	1	34003-038	34	1
310B0500A	42	1	34003-039	34	1
310B0600	42	2	34011-034	34	1
310B0600	3	15	34023-005	34	1
310B0600	42	2	34023-016	34	1
310B0600	19	6	34024-039	34	1
310B0600	34	1	34028-011	34	1
310B0600	62	4	34028-012	34	1
310B0800	66	2	34029-011	34	2
310N0600	71	4	35004-C85	42	1
311B0600	7	1	35009-029	42	1
31101-002	58	1	35022-076	42	1
312B0800	70	1	* 35022-141	42	1
312B0800	14	1	* 35022-143	42	1
312B0800	31	2	35026-010	42	1
312N0600	46	1	35032-031	27	1
313B1000	31	1	* 36001-037-3T	58	1
313B1000	35	2	* 36001-037-3U	58	1
313B1000	34	1	* 36007-032-3T	58	1
313G1200A	34	2	* 36007-032-3U	58	1
313N0800	46	1	36014-053	58	1
315B1000	47	2	410B0500	19	3
315B1000	31	1	410B0500	50	2
315B1000	71	4	410B0600	35	1
316B0800	22	6	410B0600	22	1
316B0800	2	6	410B0600	59	11
316B1000	3	12	410B0600	35	1
318N0800	14	1	410B0600	34	1
* 32002-131	27	1	410B0800	15	1
* 32002-142	27	1	410B1000	47	2
32030-016	27	2	410B1000	34	2
* 32097-038	27	1	410B1000	27	5
32099-011	59	1	41021-040	43	1
32100-015	27	1	41021-041	43	1
32100-017	58	1	41022-030	43	1
* 32100-018	27	1	41022-031	43	1
32101-008	58	1	41023-015	43	1
32112-006	27	2	41023-017	43	1
* 32122-051	70	1	41024-008	43	2
* 32129-007	27	1	41025-058	43	1
32132-002	27	1	41025-085	43	1
32132-003	27	1	41027-047	43	20
* 33001-084	31	1	41027-085	43	20
33032-038	31	1	41028-046	43	20
33033-009	31	2	41028-084	43	20
33034-008	31	1	41034-041	50	1

Numerical Parts Index

* : Indicates the Newly developed parts for Kawasaki Model KH500-A8

Part No.	Page	Q'ty	Part No.	Page	Q'ty
41030-028	50	1	42036-014	51	1
41042-014	50	1	42037-022	51	1
41042-016	50	1	42041-046	51	1
41045-006	51	1	42041-047	51	1
41048-013	51	2	42041-077	51	1
41049-012	51	2	42045-005	51	6
41050-017	51	1	42048-021	43	1
41051-003	51	1	43001-047	34	1
41059-026	50	1	43004-011	34	1
41060-017	50	1	43005-022	34	1
41062-005	50	1	43007-027	31	1
41063-001	50	2	43011-016	34	1
41064-013	50	1	43012-002	34	1
41068-049	50	1	* 43015-020	46	1
41069-032	50	1	43017-001	46	1
41069-033	50	2	43018-001	46	1
41074-047	43	1	43019-001	46	1
41075-001	43		43022-001	46	1
41075-002	43		43024-001	46	1
41075-003	43		43025-001	46	1
41075-004	43		43026-003	46	1
41078-008	50	1	43027-001	46	1
41080-005	47	1	43028-001	46	1
41082-001	50	1	* 43029-003	46	1
41085-004	51	1	43030-003	46	1
411B0400	19	4	43031-001	46	1
411B0500	66	4	43033-004	46	1
411B0600	42	2	43034-001	46	1
411B0600	42	8	43040-004	47	1
411B0600	42	4	* 43041-018	47	1
411B0600	46	2	43042-008	47	1
411B0600	58	3	43044-008	47	1
411B0600	42	4	43045-006	47	2
411B0600	46	2	43048-006	47	1
411B0600	27	6	43049-002	47	1
411B0800	34	1	* 43050-006	47	1
411B0800	58	2	* 43051-007	47	1
411B0800	62	4	43052-005	47	4
411B0800	66	2	43053-003	46	1
411B1000	71	2	43053-006	47	4
411D0600	71	8	43054-003	47	1
411D0600	58	1	43059-002	46	1
42005-015-80	51	1	43059-010	46	1
* 42006-061-80	51	1	43060-023	46	1
42008-014	51	1	43061-002	46	1
42010-014	51	1	43063-001	46	1
42014-014	51	6	43064-001	46	1
42029-024	51	1	43064-005	46	1
* 42031-053	51	1	43065-001	46	1
42032-017	51	1	43066-001	46	3

Numerical Parts Index

* : Indicates the Newly developed parts for Kawasaki Model KH500-A8

Part No.	Page	Q'ty	Part No.	Page	Q'ty
43067-001	46	6	* 46019-041	35	1
43069-002	46	1	46027-015	35	1
43072-001	46	1	46043-005	35	1
43073-001	46	1	46043-006	35	1
43079-001	46	1	46044-013	35	1
43085-001	47	1	46055-005	35	1
43088-002	47	2	46056-005	35	1
* 44001-176	38	1	46075-028	35	1
* 44001-188	38	1	* 46076-051	35	1
44005-063	38	1	46091-033	35	1
44006-061	38	1	* 46092-022	35	1
44009-024	38	2	46094-017	35	1
44010-032	38	2	46096-009	35	1
44013-032	38	2	46098-010	39	1
44018-009	38	2	461E0500	66	4
* 44022-038	38	2	461E0600	10	1
44026-031	38	2	461E0600	3	15
44028-023	38	2	461E0800	14	1
44029-019	38	2	461F0400	66	6
44032-008	38	1	461F0400	19	8
44033-068	38	1	461F0500	19	12
44034-068	38	1	461F0500	70	2
* 44037-096	38	1	461F0500	19	5
* 44037-103	38	1	461F0500	42	1
44039-048	38	1	461F0500	67	2
44041-040	38	2	461F0600	58	3
44041-042	38	1	461F0600	47	1
44041-049	38	2	461F0600	71	4
44043-048	38	2	461F0600	42	2
44043-044	38	2	461F0600	19	2
44044-015	38	2	461F0600	19	6
44044-019	38	2	461F0600	42	4
44045-002	38	2	461F0600	42	2
44045-034	38	2	461F0600	71	3
44045-038	38	1	461F0600	46	2
44045-041	38	2	461F0600	22	1
44046-015	38	2	461F0600	22	2
44062-003	38	2	461F0600	22	6
44063-014	38	2	461F0600	59	8
44064-025	38	2	461F0600	27	8
45014-097	31	2	461F0600	58	2
45016-008	31	2	461F0800	31	2
45017-012	31	2	461F0800	27	2
45017-015	31	2	461F0800	38	7
460E0800	2	6	461F0800	70	1
460E1000	3	12	461F0800	62	4
460E1200	2	12	461F0800	19	1
46006-012	35	1	461F0800	42	4
46012-008	35	2	461F0800	66	2
46012-010	35	2	461F0800	35	4

Numerical Parts Index

Part No.	Page	Q'ty	Part No.	Page	Q'ty
461F0800	74	2	54011-050	63	1
461F1000	47	2	54012-055	63	1
461F1000	35	2	54017-054	63	1
461F1000	71	4	54018-007	63	1
461F1000	31	2	550D1210	23	3
461F1000	31	4	550D2012	34	2
461F1000	34	2	550D2015	34	1
461F1200	38	2	550D2516	34	2
461F1200	39	1	550D2525	51	1
46100-003	35	1	550D3025	51	2
* 46132-029	10	1	550D4035	51	1
463G2000	6	1	552A1014	3	4
463H0600	10	1	56002-022	35	1
464H0600	14	1	56002-026	35	1
464H0600	7	1	56003-014	35	1
480J1500	15	1	56003-018	35	1
480J1600	15	1	* 56007-054	75	1
480J2600	11	1	56008-007	75	1
480J3000	46	1	* 56014-061-SP	55	2
481J1800	50	1	* 56018-213	58	2
481J4000	15	2	56019-067	75	1
482J0100	15	1	57001-132	75	1
482K5000	14	2	56019-111	75	1
482K5000	6	1	* 56027-328-SP	55	1
510A5200	54	1	* 56027-329-SP	55	1
* 51001-108-3T	54	1	* 56027-330-SP	55	1
* 51001-108-3U	54	1	* 56027-331-SP	55	1
51023-040	54	1	* 56027-338-SP	62	1
51035-005	54	1	* 56027-339-SP	62	1
51037-007	54	1	* 56027-340-SP	62	1
51038-005	54	1	* 56027-341-SP	62	1
51048-012	54	1	600A0400	7	11
51059-008	54	1	600A0800	15	1
51069-001	54	1	600A0800	27	38
52001-034	58	1	601B6005	11	1
52003-019	58	1	601B6203	50	2
52015-005	58	1	601B6205Z	51	1
52020-001	58	1	601B6303Z	51	1
* 53001-123	59	1	601B6305	51	1
53008-025	59	1	610A0406	11	1
* 53009-033	59	1	654A254008	50	1
* 53009-034	59	1	654A304208	50	1
53010-005	59	1	670B2015	58	1
53011-008	59	2	670B2020	18	1
* 53043-006-3T	62	1	671B2530	31	2
* 53043-006-3U	62	1	700Q05600	58	1
53044-004	62	1	92001-038	31	2
53045-013	59	1	92001-060	6	1
53054-002	59	1	92001-101	15	1
53057-002	62	1	92001-105	71	2
54001-043	63	1			

Numerical Parts Index

* : Indicates the Newly developed parts for Kawasaki Model KH500-A8

Part No.	Page	Q'ty	Part No.	Page	Q'ty
92001-131	11	1	92022-159	11	5
92001-158	50	4	92022-161	10	4
92003-015	51	6	92022-195	71	2
92003-064	38	2	92022-196	35	2
92003-079	34	1	92022-199	34	2
92003-096	31	1	92022-203	14	2
92003-097	31	1	92022-204	34	2
92003-115	14	1	92022-223	10	2
92003-117	14	1	92022-227	42	2
92003-150	34	2	92022-228	42	4
92003-165	34	2	92022-230	39	1
92005-002	31	1	92022-240	62	4
92007-002	35	4	92022-246	31	4
92007-031	39	1	92024-015	6	1
92007-032	47	2	92024-016	22	3
92007-034	58	2	92024-021	6	1
92007-047	35	1	92024-033	11	1
92008-007	39	1	92024-058	26	1
92011-030	62	4	92024-067	10	1
92011-033	22	4	92024-072	11	1
92015-019	6	1	92025-048	30	
92015-019	10	1	92025-049	30	
92015-020	2	12	92025-050	30	
92015-042	34	1	92025-051	30	
92015-055	51	1	92025-052	30	
92015-059	66	4	92025-053	30	
92016-028	10	1	92025-054	30	
92017-010	14	1	92025-055	30	
92017-014	35	1	92025-056	30	
92018-004	58	4	92025-057	30	
92019-021	27	5	92025-058	30	
92019-014	42	4	92026-022	7	1
92019-009	34	2	92026-026	18	2
92019-012	31	1	92026-027	11	1
92019-013	34	1	92026-068	14	1
92019-021	34	2	92027-031	6	1
92019-022	38	5	92027-052	11	1
92020-003	31	2	92027-091	6	1
92022-024	22	2	92027-120	71	3
92022-072	2	12	92027-121	14	1
92022-077	26	5	92027-149	22	2
92022-101	27	2	92027-156	27	2
92022-112	10	3	92027-241	42	2
92022-113	10	2	* 92027-259	42	2
92022-114	10	1	92028-070	7	1
92022-119	7	1	92028-071	3	1
92022-125	71	3	92028-072	15	1
92022-125	27	2	92028-073	10	2
92022-125	22	2	92028-074	18	1
92022-150	14	1	92028-075	18	1

Numerical Parts Index

* : Indicates the Newly developed parts for Kawasaki Model KH500-A8

Part No.	Page	Q'ty	Part No.	Page	Q'ty
92028-081	7	1	92058-006	58	1
92031-001	10	3	92059-073	55	1
92033-015	10	2	92059-082	58	1
92033-026	10	5	92059-090	55	3
92036-004	6	6	92060-008	26	3
92036-013	6	1	92060-009	26	1
92037-010	55	8	92060-010-79	26	3
92037-010	58	1	92061-015	26	1
92037-035	22	1	92063-107	23	3
92037-109	22	3	92063-108	23	3
92037-113	42	2	92063-109	23	3
92038-001	6	1	92063-122	23	3
92041-003	59	3	92063-123	23	3
92041-005	35	2	92064-032	23	3
92041-005	31	2	92065-011	3	1
92041-006	59	1	92065-023	26	3
92042-014	10	6	92065-052	54	1
92042-015	18	1	92065-054	54	1
92042-016	3	4	92065-055	54	1
92043-009	14	1	92065-058	26	3
92043-016	10	3	92065-085	58	1
92043-064	34	1	92065-090	11	1
92043-069	14	2	92067-001	3	1
92043-075	15	1	92069-017	66	1
92043-076	11	1	92069-018	66	5
92043-079	34	2	92070-036	2	3
92043-080	34	2	92071-056	27	4
92043-093	51	1	92071-056	59	1
92043-126	54	1	92071-065	58	1
92043-127	54	1	92071-070	62	1
92045-010	10	2	92072-030	74	4
92046-004	7	1	92072-031	74	5
92046-010	10	2	92072-041	59	1
92047-006	39	2	92072-050	54	1
92048-006	27	2	92072-056	74	5
92049-002	18	1	92074-006	70	1
92049-004	18	1	92074-032	66	1
92049-004	3	1	92075-006	22	1
92050-024	11	1	92075-015	22	1
92050-027	51	1	92075-031	34	1
92050-051	6	1	92075-078	27	4
92050-052	6	1	92075-078	58	1
92050-070	7	1	92075-080	66	4
92054-004	18	1	92075-091	71	2
92055-018	6	1	92075-092	35	4
92055-025	18	2	92075-099	59	2
92055-028	54	1	92075-101	27	2
92055-035	11	1	92075-112	71	3
92056-007	7	1	92075-118	22	2
92057-038	58	1	92075-121	42	2

Numerical Parts Index

* : Indicates the Newly developed parts for Kawasaki Model KH500-A8

Part No.	Page	Q'ty	Part No.	Page	Q'ty
92075-128	71	4			
92075-133	42	2			
92075-139	59	3			
92075-158	71	2			
92075-163	27	1			
92075-166	58	1			
92075-167	27	2			
92075-168	62	4			
92075-169	62	4			
92075-183	58	1			
92075-184	58	2			
92075-228	42	1			
* 92075-278	27	1			
* 92075-279	74	1			
92076-027	34	2			
92081-020	15	1			
92081-021	15	1			
92081-027	58	1			
92081-042	7	5			
92081-048	54	1			
92081-112	11	1			
* 92081-151	14	1			
92083-002	14	1			
92088-007	51	3			
92088-023	50	2			
92090-007	39	1			
92091-024	27	3			
92095-012	35	1			
92097-003	39	1			
92104-002	75				
92106-002	75	1			
92107-003	75	1			
92107-005	75	1			
92109-009	75	1			
92110-007	75	1			
92110-012	75	1			
92111-004	75	1			
92111-005	75	1			
92112-003	75	1			
92126-001	75	1			
92126-002	75	1			
92126-003	75	1			
* 92126-012	75	1			