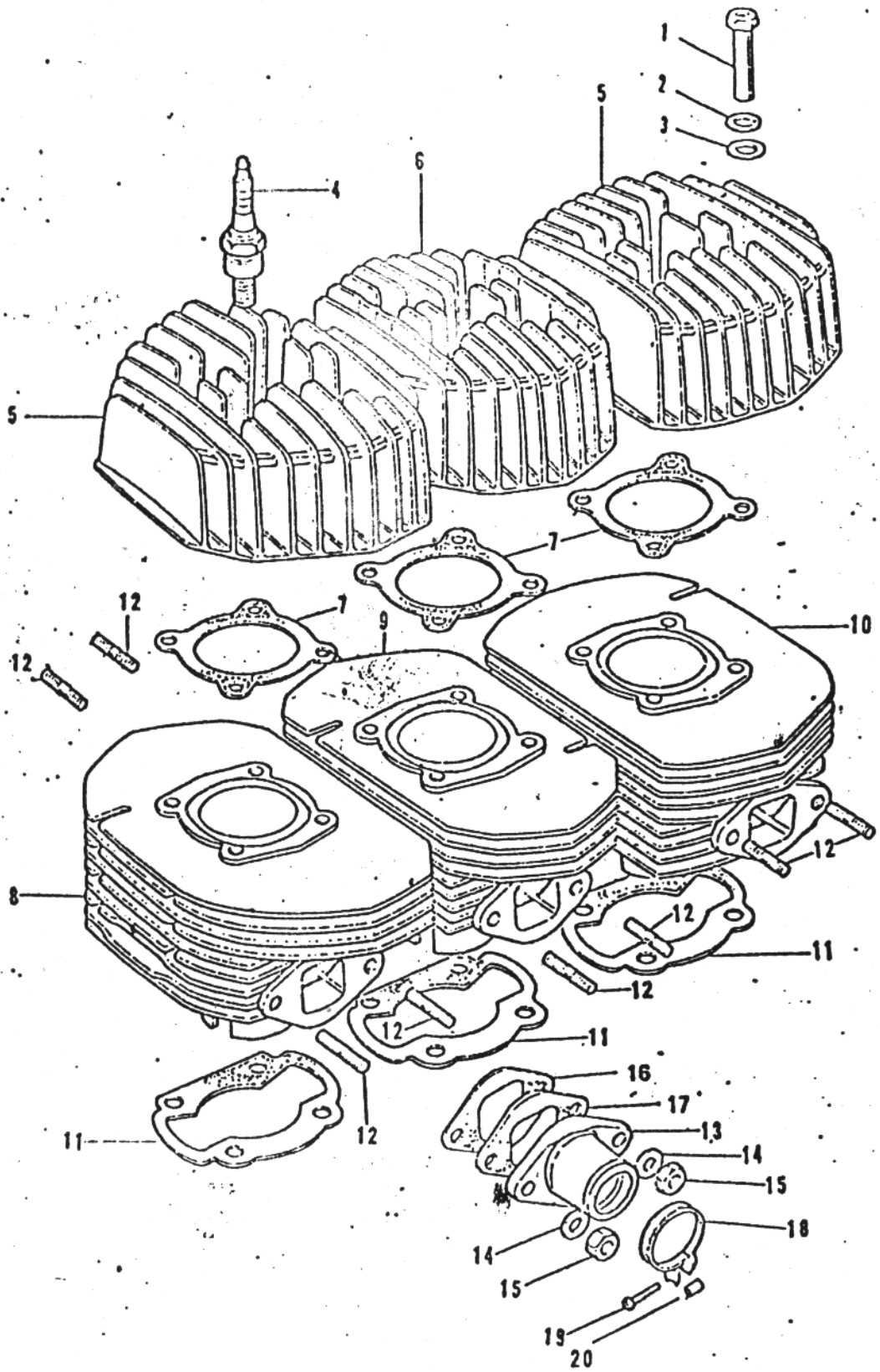
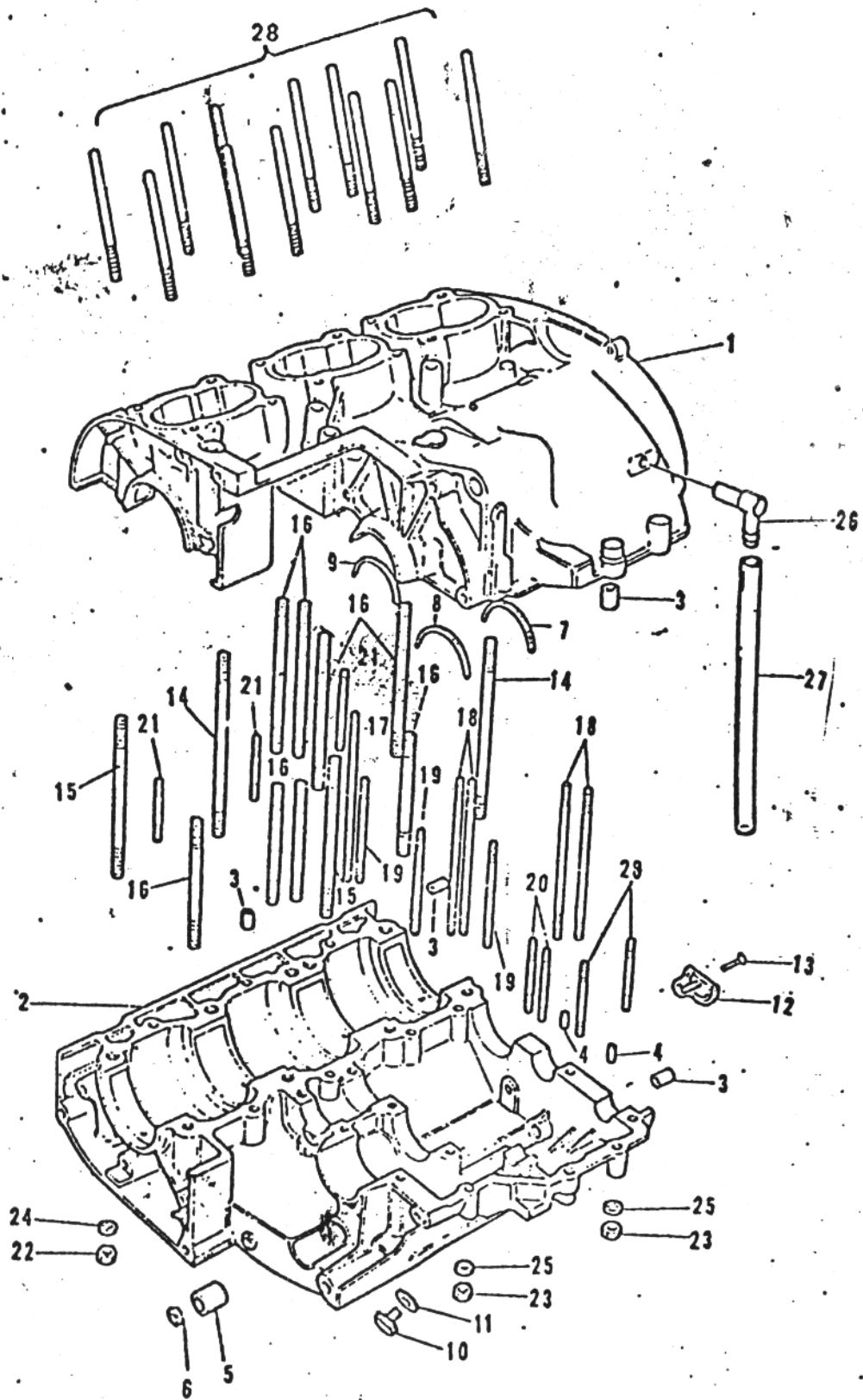


KAWASAKI 750 MODEL H2-R

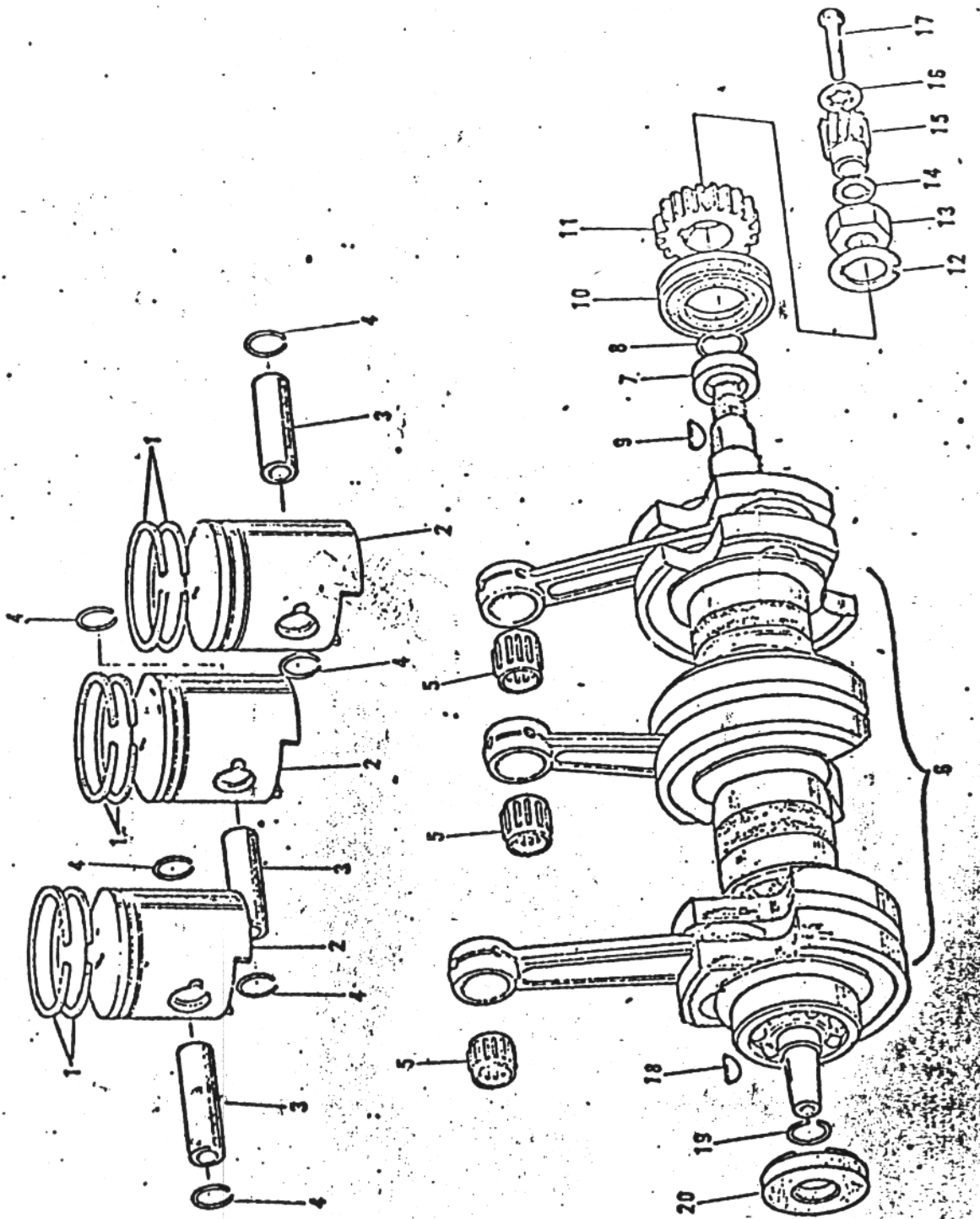
PARTS CATALOGUE



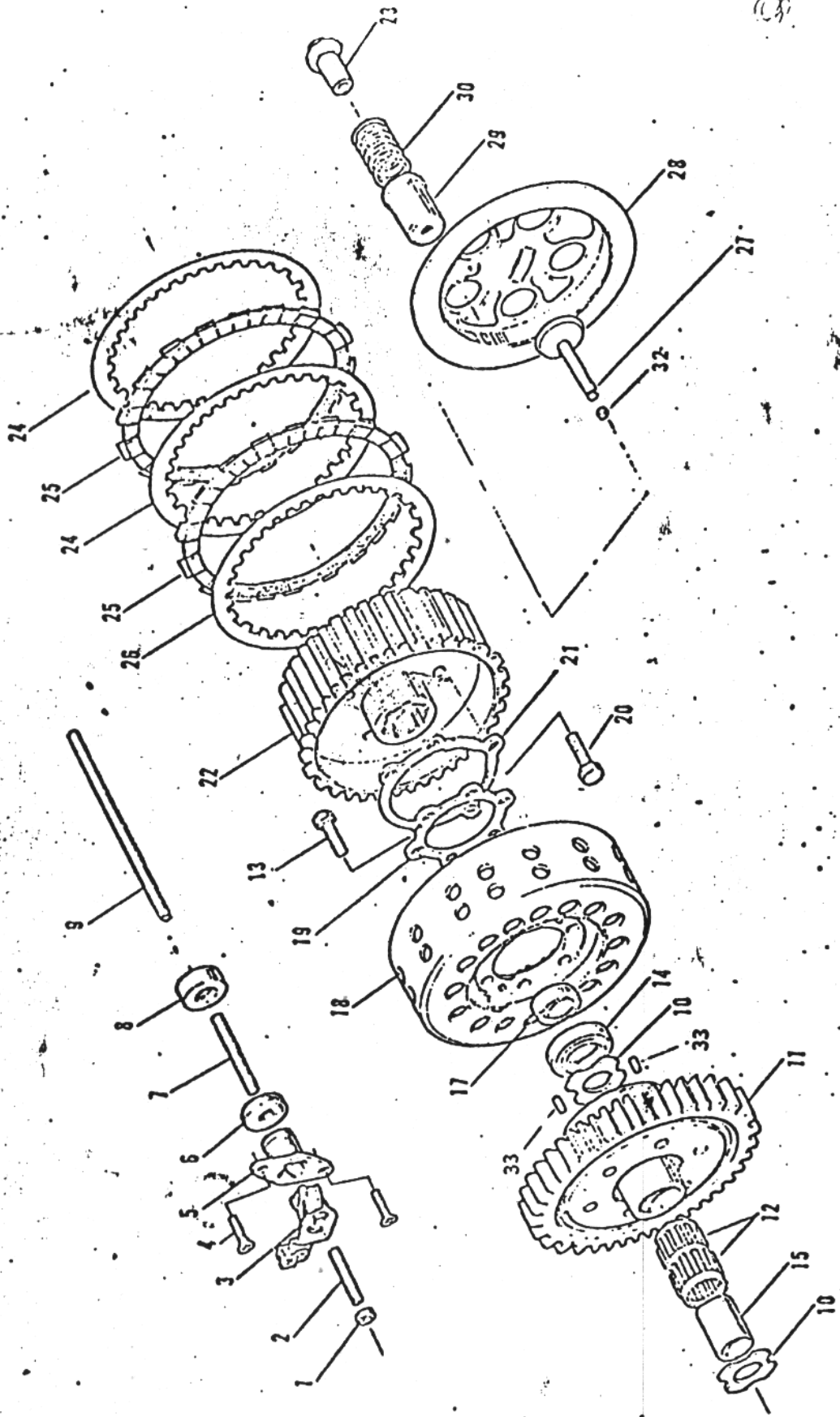
Ref. No.	Part No.	Part Name	Quantity	Remarks
1	92015-066	NUT, 10 m/m	12	
2	461E1400	WASHER-spring, 14 m/m	12	
3	410B1400	WASHER-plain, 14 m/m	12	
4	92070-040	SPARK PLUG	3	NGK B-10.5EN
5	11001-088	CYLINDER HEAD, L.H. & R.H.	2	
6	11001-029	CYLINDER HEAD, Center	1	
7	11004-062	GASKET-cylinder head	A.R	t=0.2 m/m
	11004-063	GASKET-cylinder head	A.R	t=0.3 m/m
	11004-049	GASKET-cylinder head	A.R	t=0.5 m/m
8	11005-112	CYLINDER, L.H.	1	245 20
9	11005-113	CYLINDER, Center	1	"
10	11005-114	CYLINDER, R.H.	1	"
11	11009-028	GASKET-cylinder base	3	
12	172G0616	STUD, 6 x 16	12	
13	16060-016	PIPE-air inlet	3	
14	410B0600	WASHER-plain, 6 m/m	6	
15	92019-008	NUT, lock 6 m/m	18	
16	16062-018	GASKET-air inlet pipe	3	
17	16061-016	INSULATOR-heat	3	
18	92037-111	CLAMP-carburetor mounting	3	
19	220B0520	SCREW-pan head, 5 x 20	3	
20	701S0505	SPACER-carb. clamp	3	



Ref. No.	Part No.	Part Name	Quantity	Remarks
1~5	14001-053	CRANKCASE SET	1	
3	552A1014	PIN-dowel, 10 x 14	4	
4	92042-016	PIN-dowel, 6 m/m	4	
5	92028-071	BUSHING-change pedal shaft	1	
6	92049-004	OIL SEAL, SB11205	1	
7	14013-012	RING-crank positioning	1	w=2.8φ
8	14013-004	RING-bearing setting	1	w=2.4φ
9	14013-013	RING-bearing setting, 62 m/m	1	w=2.4φ
10	92067-002	PLUG-oil drain	1	
11	92065-011	GASKET-oil drain plug	1	
12	14015-001	RECEIVER-oil	1	
13	221B0616	SCREW-countersunk head, 6 x 16	1	
14	172G1090	STUD, 10 x 90	2	
15	172G1075	STUD, 10 x 75	2	
16	172G1060	STUD, 10 x 60	8	
17	172G0680	STUD, 6 x 80	1	
18	172G0675	STUD, 6 x 75	4	
19	172G0650	STUD, 6 x 50	3	
20	172G0635	STUD, 6 x 35	4	
21	172G0630	STUD, 6 x 30	3	
22	316B1000	NUT, 10 m/m	12	
23	310B0600	NUT, 6 m/m	15	
24	460E1000	WASHER-spring, 10 m/m	12	
25	461E0600	WASHER-spring, 6 m/m	15	
26	14069-003	BREATHER	1	
27	92059-061	PIPE-breather	1	
28	92004-050	STUD-cylinder	12	

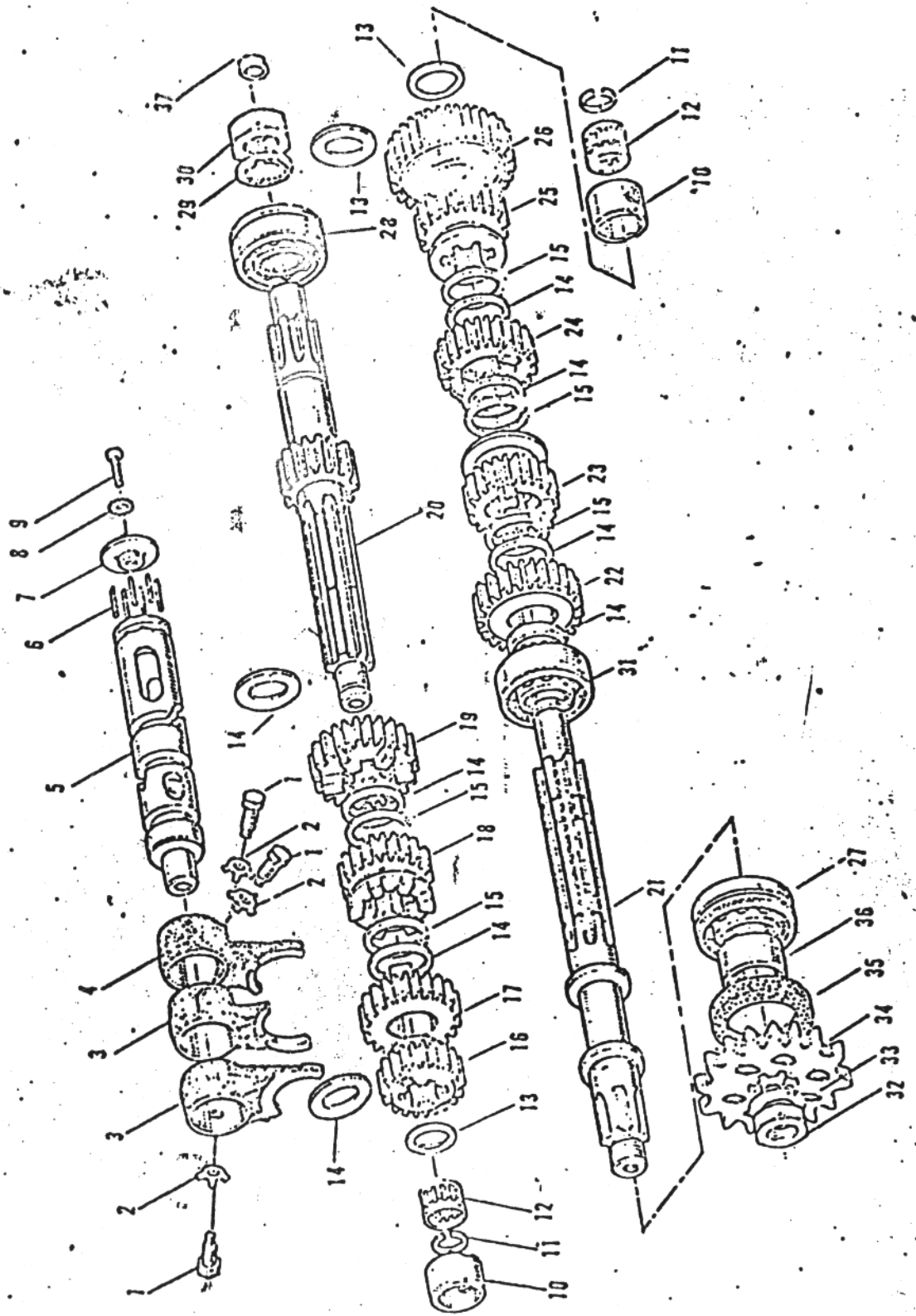


Ref. No.	Part No.	Part Name	Quantity	Remarks
1	13003-046	RING-piston	2x3	1x3
2	13001-064	PISTON	1x3	1x3 N.L.
3	13002-023	PIN-piston	1x3	
4	92036-004	CIRCLIP-piston pin	2x3	
5	13033-029	NEEDLE BEARING-small end	1x3	
6	13031-042	CRANK & CONROD ASSY	1	
7	92027-133	COLLAR-R.H. crankshaft	1	
8	67083024	"O" RING, 24 m/m	1	
9	510A5100	WOODRUFF KEY	1	
10	92050-043	OIL SEAL, TCY36729	1	
11	13121-023	PINION-primary	1	32T
12	92024-049	WASHER-lock, 20 m/m	1	
13	92016-028	NUT, 20 m/m	1	
14	92024-032	WASHER-lock, 10 m/m	1	
15	16084-010	PINION-oil pump	1	
16	463H0600	WASHER-lock, 6 m/m	1	
17	92001-123	BOLT-oil pump pinion fitting	1	
18	92038-001	WOODRUFF KEY	1	
19	92036-019	CIRCLIP	1	
20	92050-042	OIL SEAL, TCY306210	1	

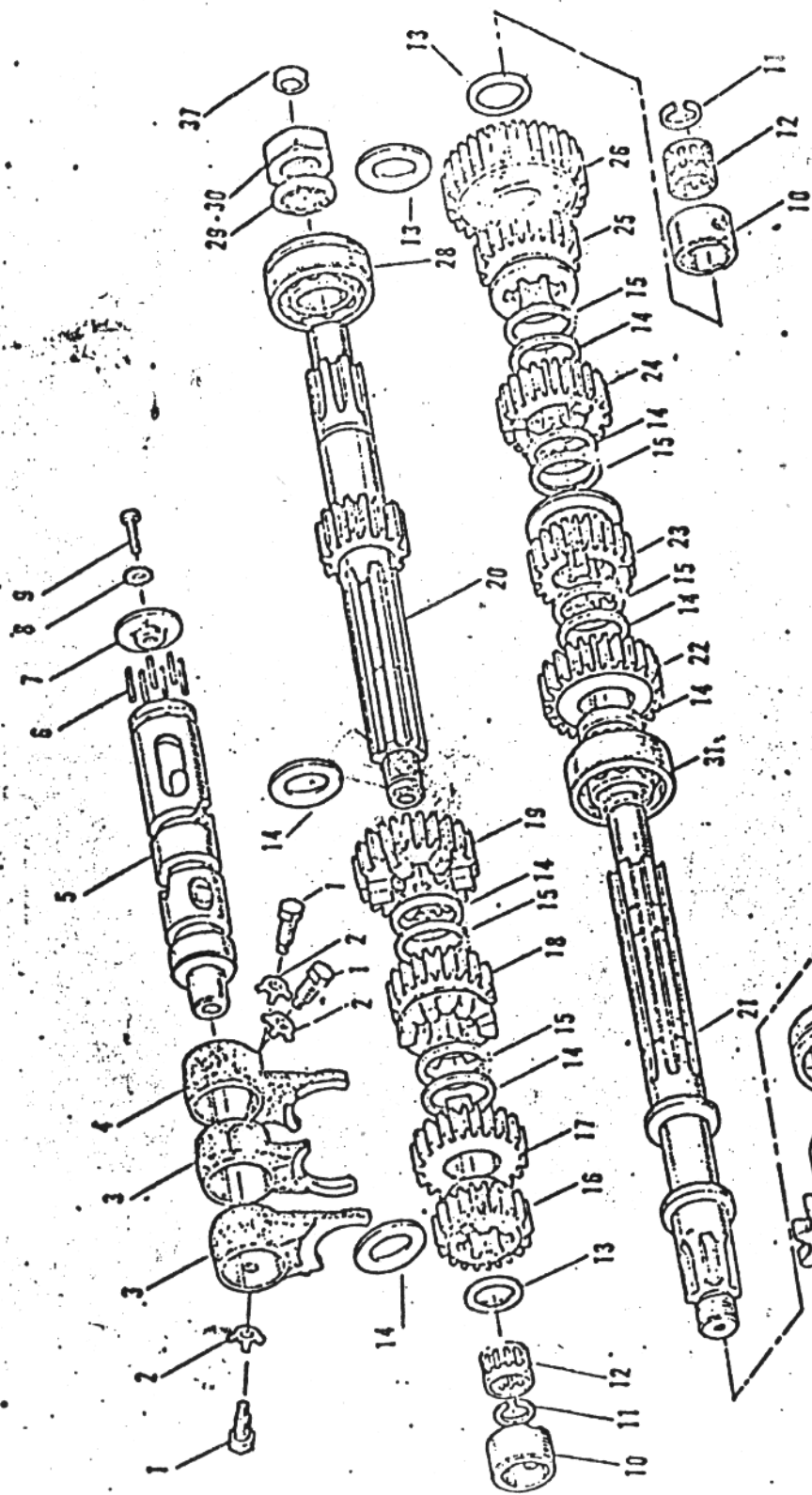


Ref. No.	Part No.	Part Name	Quantity	Remarks
1	311B0600	NUT, 6 m/m	1	
2	291H0622	SCREW-slotted, 6 x 22	1	
3,5	13231-004	RELEASE ASSY	1	
3	13102-012	INNER-clutch release	1	
4	221B0616	SCREW-countersunk head, 6 x 16	2	
6	13118-004	OUTER-clutch release	1	
6	92050-025	OIL SEAL, SC7317	1	
7	13116-010	ROD-clutch push	1	L=49 m/m
8	92028-070	BUSH-push rod	1	
9	13116-023	ROD-clutch push	1	L=203 m/m N/L
10	92022-119	WASHER-thrust	2	1.50
11	13101-002	GEAR ASSY-clutch	1	219.70
12	92048-034	BEARING-needle KT303517	2	3.80
13	92007-036	BOLT-hex head 8 x 12	6	
14	92050-035	OIL SEAL, SC30447	1	4.50
15	92027-183	BUSH-clutch	1	8.00
17	92027-109	COLLAR-clutch	1	3.11
18	13095-037	HOUSING-clutch	1	292.90
19	92024-050	WASHER-clawed lock	1	Not listed
20	92007-037	BOLT-hex head, 6 x 20	6	
21	92024-051	WASHER-clawed lock	1	Not listed
22	13087-034	HUB-clutch	1	61.70
23	92015-061	NUT-clutch spring	5	Not listed
24	13089-023	PLATE-clutch steel	12	t=1.0 m/m N/L
25	13088-032	PLATE-clutch friction	12	t=2.2 m/m N/L
26	13090-017	PLATE-clutch inner	1	t=1.6 m/m N/L
27	13116-008	PUSHER-clutch spring plate	1	8.60
23	13187-001	PLATE-clutch spring	1	5.28
29	13092-005	GUIDE-clutch spring	5	1.20
30	920S1-088	SPRING-clutch	5	Not listed
32	600A1000	BALL-steel, 5/16"	1	
33	551A0612	PIN-dowel	2	1.18

608.59



Item No.	Part No.	Part Name	Quantity	Remarks
1	92043-016	PIN-selector fork guide	3	
2	92031-001	WASHER-lock, 10 m/m	3	
3	13140-022	FORK-selector top	2	
4	13140-021	FORK-selector low	1	
5	13141-026	DRUM-gear change	1	
6	92042-014	PIN-gear change drum	6	
7	13142-004	PLATE-gear change drum pin	1	
8	464H0600	WASHER-toothed lock, 6 m/m	1	
9	220B0612	SCREW-pan head, 6 x 12	1	
10	92028-073	BUSH	1	
11	92033-015	CIRCLIP	2	
12	92046-010	BEARING-needle, KT202513	2	
13	92022-155	WASHER-thrust	A.R.	t=1.2 m/m
	92022-156	WASHER-thrust	A.R.	t=1.4 m/m
	92022-157	WASHER-thrust	A.R.	t=1.6 m/m
	92022-158	WASHER-thrust	A.R.	t=1.8 m/m
14	92022-159	WASHER-thrust, 25 m/m	A.R.	t=0.5 m/m
	92022-160	WASHER-thrust, 25 m/m	A.R.	t=0.8 m/m
	92022-161	WASHER-thrust, 25 m/m	A.R.	t=1.0 m/m
	92022-162	WASHER-thrust, 25 m/m	A.R.	t=1.2 m/m
15	92033-017	CIRCLIP	5	
16	13130-034	2nd GEAR-drive	1	17 teeth
17	13134-018	4th GEAR-drive	1	20 teeth
18	13132-033	3rd GEAR-drive	1	21 teeth
19	13136-044	TOP GEAR-drive	1	23 teeth
20	13127-043	DRIVE SHAFT	1	14 teeth
21	13128-038	OUTPUT SHAFT	1	
22	13131-041	2nd GEAR-output	1	22 teeth
23	13135-022	4th GEAR-output	1	18 teeth
24	13133-033	3rd GEAR-output	1	22 teeth



Ref. No.	Part No.	Part Name	Quantity	Notes
25	13137-027	TOP GEAR-output	1	19 teeth
26	13129-048	LOW GEAR-output	1	24 teeth
27	92045-010	BEARING-ball, #6205N	1	
28	92045-020	BEARING-ball, #6305N	1	
29	92031-007	WASHER-toothed lock, 20 m/m	1	
30	92016-028	NUT, 20 m/m	1	
31	601B6005	BEARING-ball, #6005	1	
32	92015-062	NUT, 18 m/m	1	
33	92024-006	WASHER-clawed lock, 18 m/m	1	S.T.D.
34	13144-041	ENGINE SPROCKET, 15 teeth	1	
35	92050-024	OIL SEAL, SC325211	1	
36	92026-027	SPACER-engine sprocket	1	
37	92049-010	OIL SEAL, SB8165	1	

gear ratios -

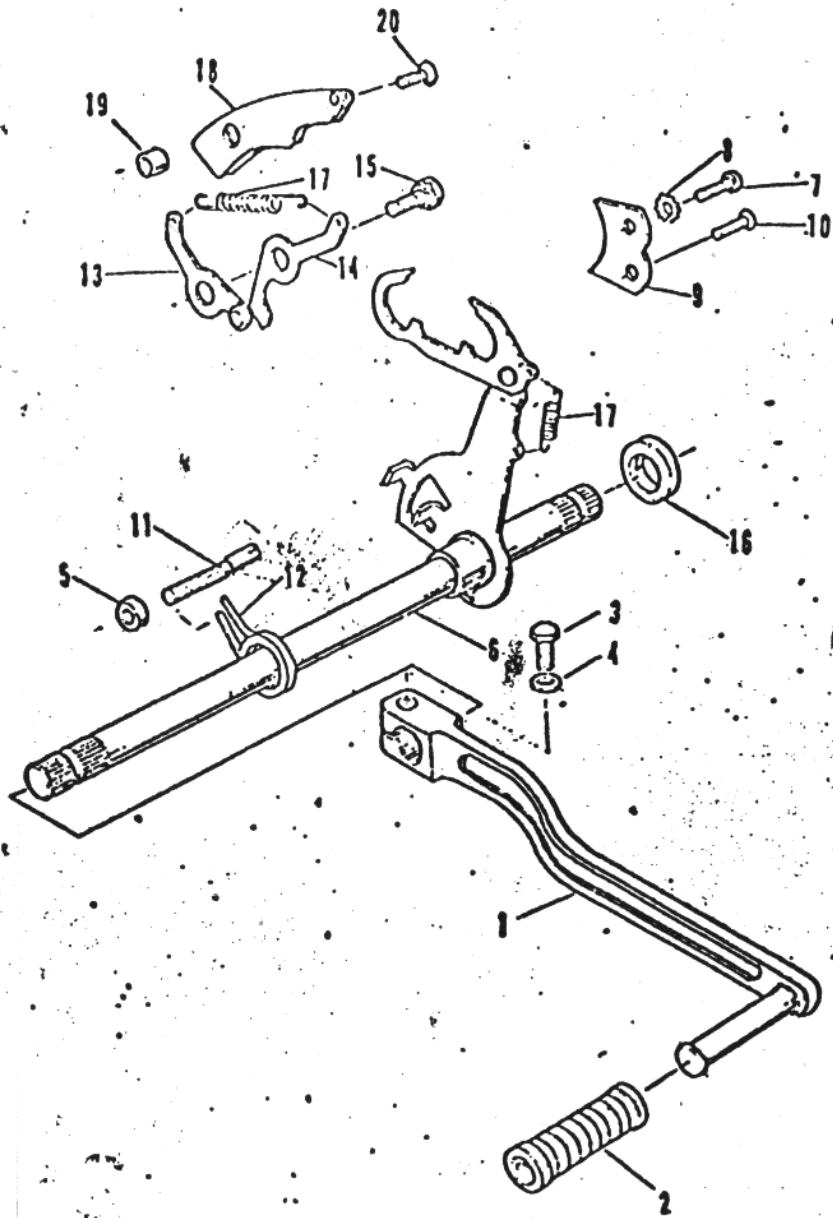
1st - 1.71/1

2nd - 1.29/1

3rd - 1.05/1

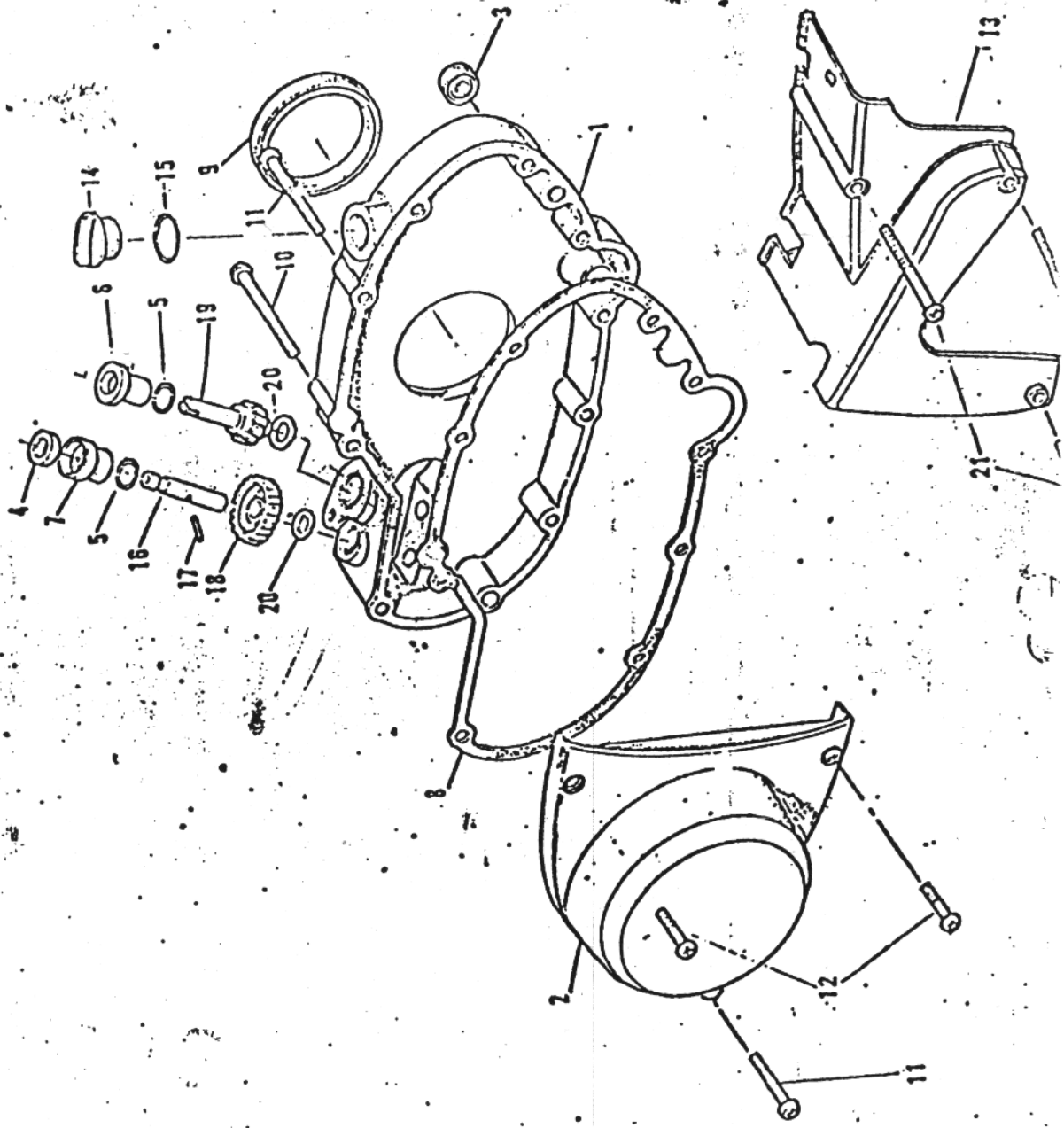
4th - .90/1

5th - .83/1



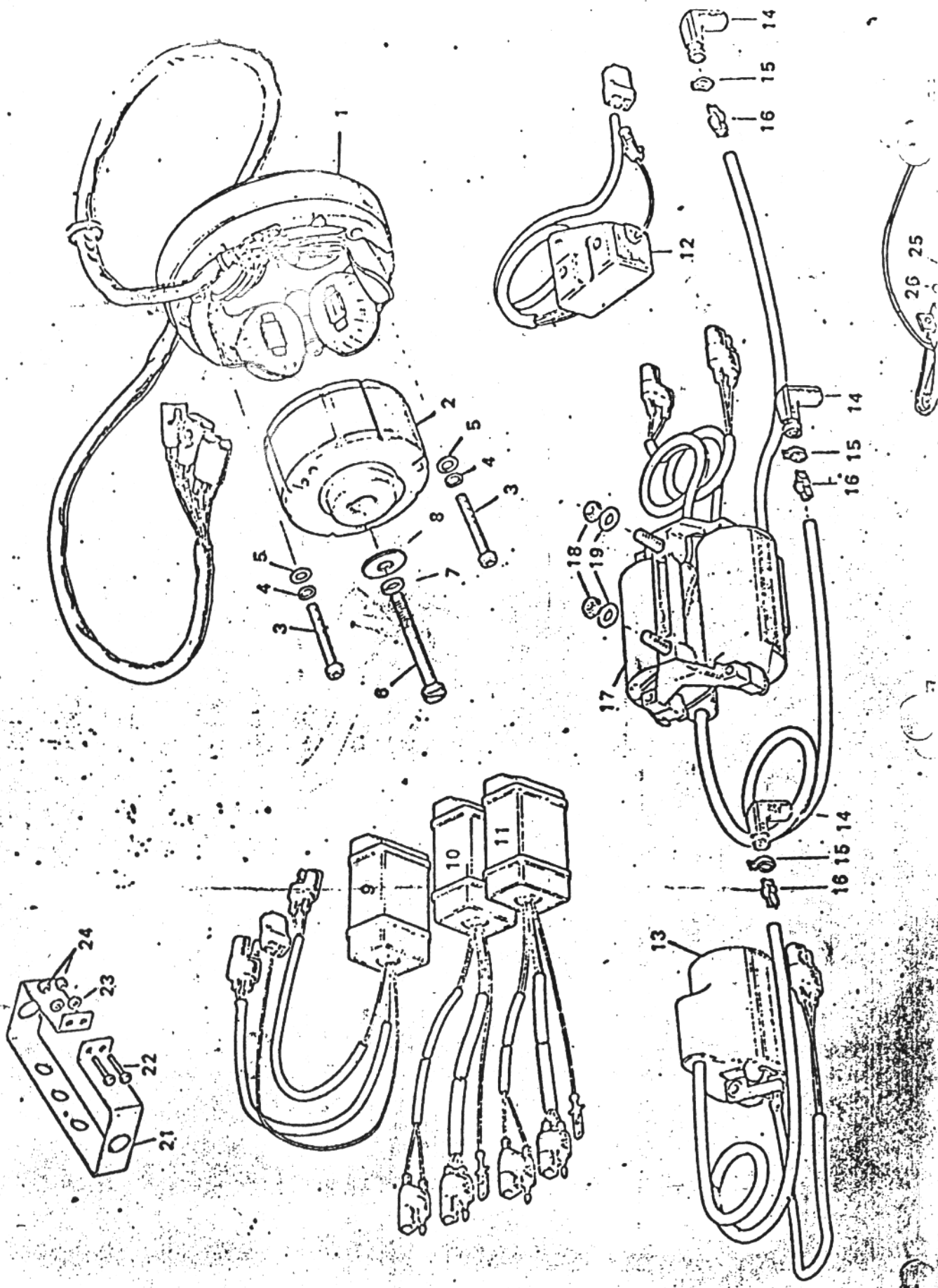
6. Gear Change Mechanism

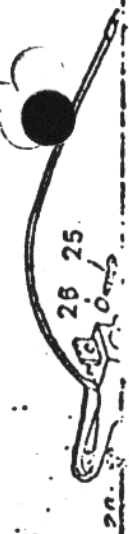
Ref. No.	Part No.	Part Name	Quantity	Remarks
1	13156-049	PEDAL-gear change L.H.	1	
2	13157-004	RUBBER-gear change pedal	1	
3	92007-038	BOLT-hex head, 8 x 20	1	
4	461F0800	WASHER-spring, 8 m/m	1	
5	312B0800	NUT, 8 m/m	1	
6	13161-030	LEVER ASS'Y-gear change	1	
7	220B0616	SCREW-pan head, 6 x 16	1	
8	464H0600	WASHER-toothed lock, 6 m/m	1	
9	13169-005	PLATE-gear change drum positioning	1	
10	212B0616	SCREW-countersunk head, 6 x 16	1	
11	92043-051	PIN-gear change pedal return spring	1	
12	92083-020	SPRING-gear change pedal return	1	
13	13236-001	LEVER-gear change drum	1	
14	13168-020	LEVER-gear change drum	1	
15	92001-031	BOLT-gear change drum lever	1	
16	92027-112	COLLAR	1	
17	92081-076	SPRING-gear change lever	2	
18	13235-002	GUIDE-gear change lever	1	
19	92027-114	COLLAR	1	
20	212B0626	SCREW-countersunk head, 6 x 26	1	



Ref. No.	Part No.	Part Name	Quantity	Remarks
1	14032-025	COVER-engine, R.H.	1	176,80
2	14031-044	COVER-engine, L.H	1	
3	92049-004	OIL SEAL, SB12205	1	
4	92054-004	OIL SEAL, VC7144	1	
5	02055-025	"O" RING	2	
6	92028-074	BUSH	1	
7	92028-075	BUSH	1	
8	14046-021	GASKET-engine cover, R.H	1	
9	92050-038	OIL SEAL, SC64769	1	9,40
10	110B0660	SCREW-pan head, 6 x 60	1	
11	110B0640	SCREW-pan head, 6 x 40	8	
12	220B0620	SCREW-pan head, 6 x 20	2	
13	14026-015	COVER-chain	1	
14	16115-002	PLUG-oil	1	
15	670B2020	"O" RING, 20 m/m	1	
16	13226-004	SHAFT-tachometer gear	1	
17	92042-015	PIN-dowel	1	
18	13224-005	GEAR-tachometer	1	
19	16085-011	GEAR-oil pump	1	
20	92026-026	WASHER-tachometer gear thrust	2	
21	220B0555	SCREW-pan head, 6 x 55	2	
22	220B0695	SCREW-pan head, 6 x 85	1	







Ref. No.	Part No.	Part Name	Quantity	Remarks
1~8	21002-026	MAGNETO ASSY	1	
1	21003-014	STATOR ASSY	1	
2	21007-025	ROTOR-magneto	1	
3	220B0550	SCREW countersunk head 5 x 50	2	
4	461F0500	WASHER-spring, 5 m/m	2	
5	410B0500	WASHER-plain, 5 m/m	4	
6	114B0850	BOLT-hex head, 8 x 50	1	
7	461F0800	WASHER-spring, 8 m/m	1	
8	92022-187	WASHER-plain, 8 m/m	1	
9	21119-008	IGNITION UNIT, L.H	1	
10	21119-009	IGNITION UNIT, CENTER	1	
11	21119-010	IGNITION UNIT, R.H.	1	
12	21158-002	KILL SWITCH UNIT	1	
13	21121-046	COIL-ignition, center	1	
14~16	21141-003	PLUG CAP ASSY	3	
14	21130-022	PLUG CAP-ignition	3	
15	21168-004	CLAMP ASSY-ignition plug cap	3	
16	21169-001	TERMINAL-ignition plug cap	3	
17	21121-045	COIL-ignition, left, right	1	
18	310B0800	NUT, 8 m/m	2	
19	92022-135	WASHER-plain, 8 m/m	2	
20	46027-006	SWITCH-engine kill	1	
21	32060-008	BRACKET-ignition unit	1	
22	110B0636	BOLT-hex head, 6 x 36	2	
23	410B0600	WASHER-plain, 6 m/m	2	
24	92019-008	NUT, lock 6 m/m	2	
25	220B0306A	SCREW-pan head	2	
26	461F0300	WASHER-spring	2	

1

2

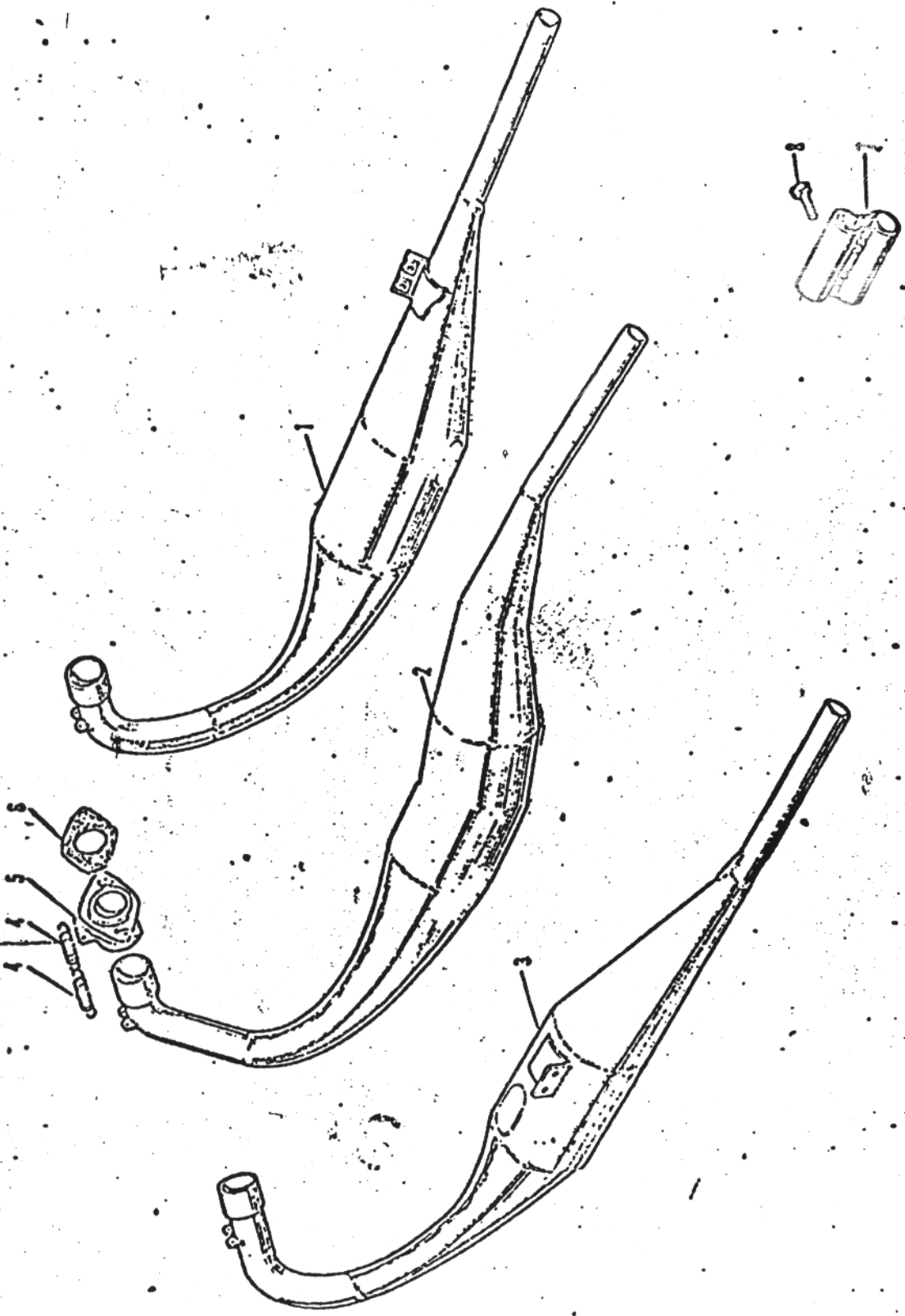
4

5

6

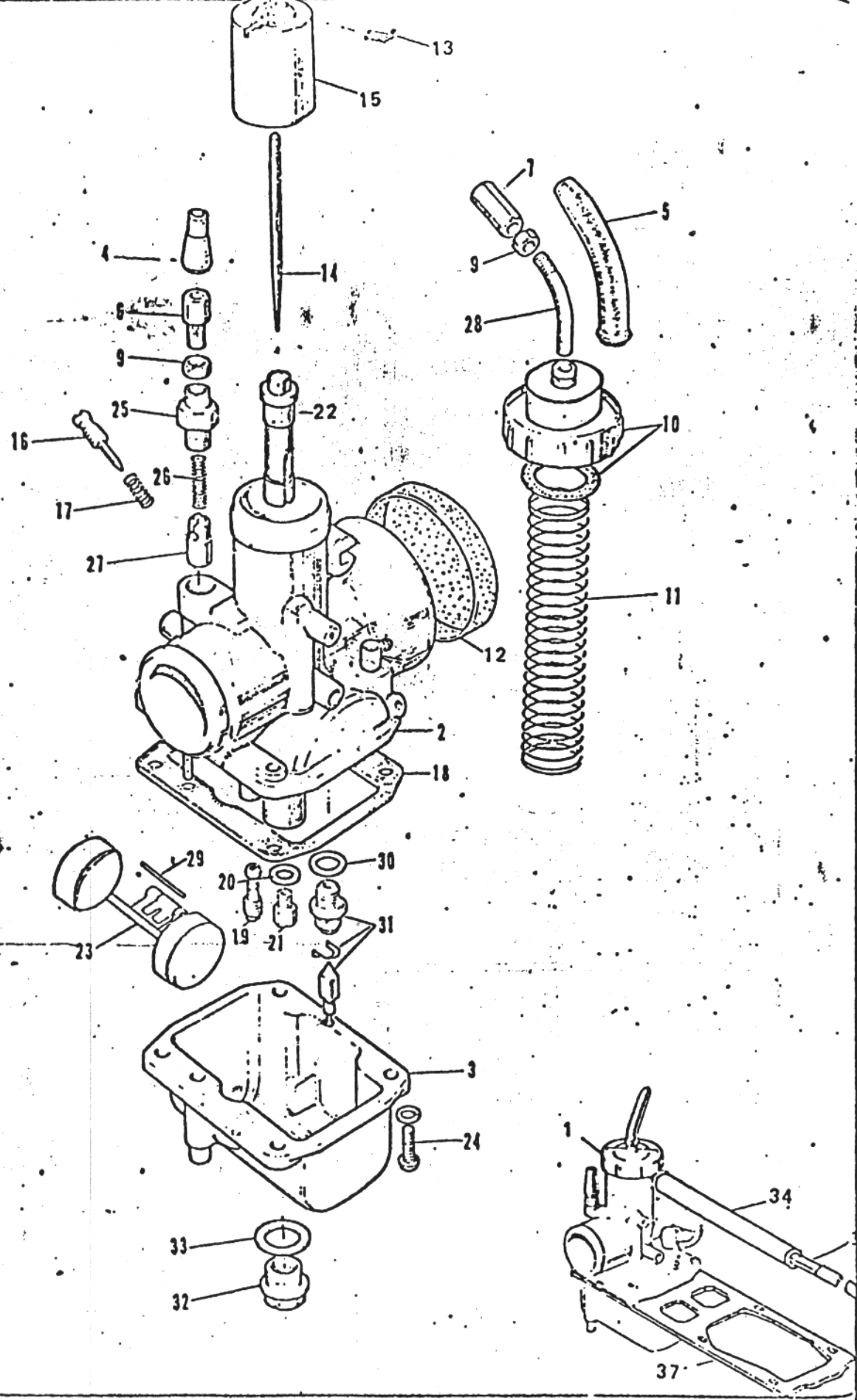
7

8

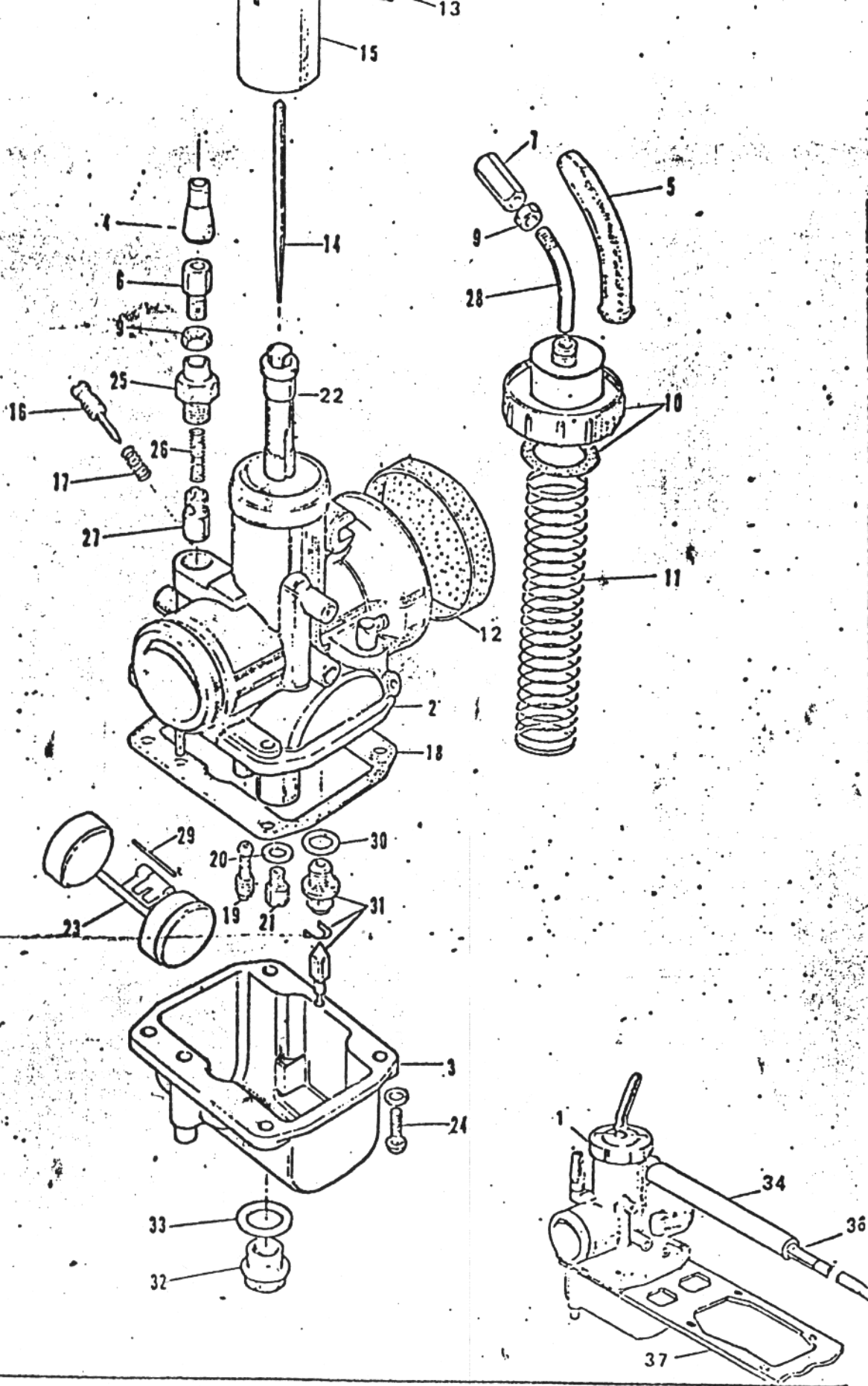


1	18002-100	EXHAUST PIPE ASS'Y-R.H	1
2	18002-099	EXHAUST PIPE ASS'Y-C.	1
3	18002-098	EXHAUST PIPE ASS'Y-L.H	1
4	18071-002	SPRING-connector	2x3
5	18069-047	HOLDER-exhaust	1x3
6	18067-019	GASKET-exhaust holder	1x3
7	92037-051	CLAMP-muffler	1
8	92003-062	BOLT-hex head, 6 x 20	2

- 1~3
- 1
- 2
- 3
- 4
- 5
- 6
- 7
- 9
- 10
- 11
- 12
- 13
- 14
- 15
- 16
- 17
- 18
- 19
- 20
- 21



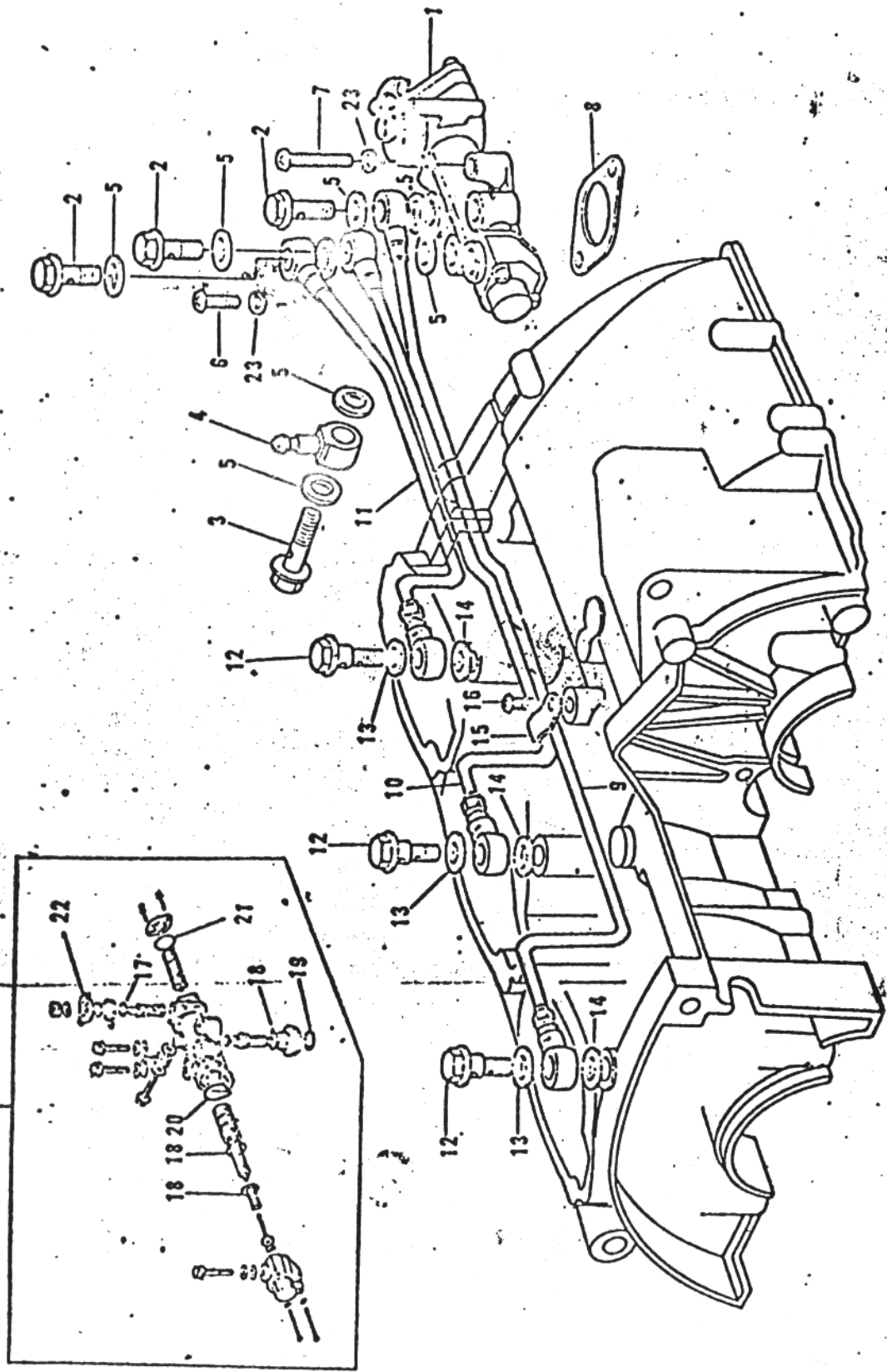
Ref. No.	Part No.	Part Name	Quantity	Remarks
1-37	16150-001	CARBURETOR COMPLETE		
1	16001-180	CARBURETOR ASSY	3	
2	16028-023	BODY-mixing chamber	1	
3	16020-016	BODY-float chamber	1	
4	16036-007	CAP-cable adjuster	1x3	
5	16036-002	CAP-throttle adjuster	1x3	
6	16002-002	ADJUSTER-cable	1x3	
7	16002-004	NUT-cable adjuster lock	1x3	
9	16003-004	NUT-cable adjuster lock	2x3	
10	16004-021	TOP-mixing chamber	1x3	
11	16006-020	SPRING-throttle valve	1x3	
12	92102-004	CAP-carburetor	1x3	
13	16008-009	CLIP-needle	1x3	
14	16009-056	JET NEEDLE #FR3	1x3	
15	16025-053	VALVE-throttle CA5.0	1x3	S.T.D.
16	16014-006	SCREW-pilot air adjusting	1x3	
17	16015-001	SPRING-pilot air adjusting	1x3	
18	16019-016	GASKET-float chamber	1x3	
19	92064-031	PILOT JET NO. 60A	1x3	
20	16034-001	WASHER-main jet	1x3	
21	92063-030	MAIN JET #280		



22
 23
 24
 25
 26
 27
 28
 29
 30
 31
 32
 33
 34
 35
 36
 37

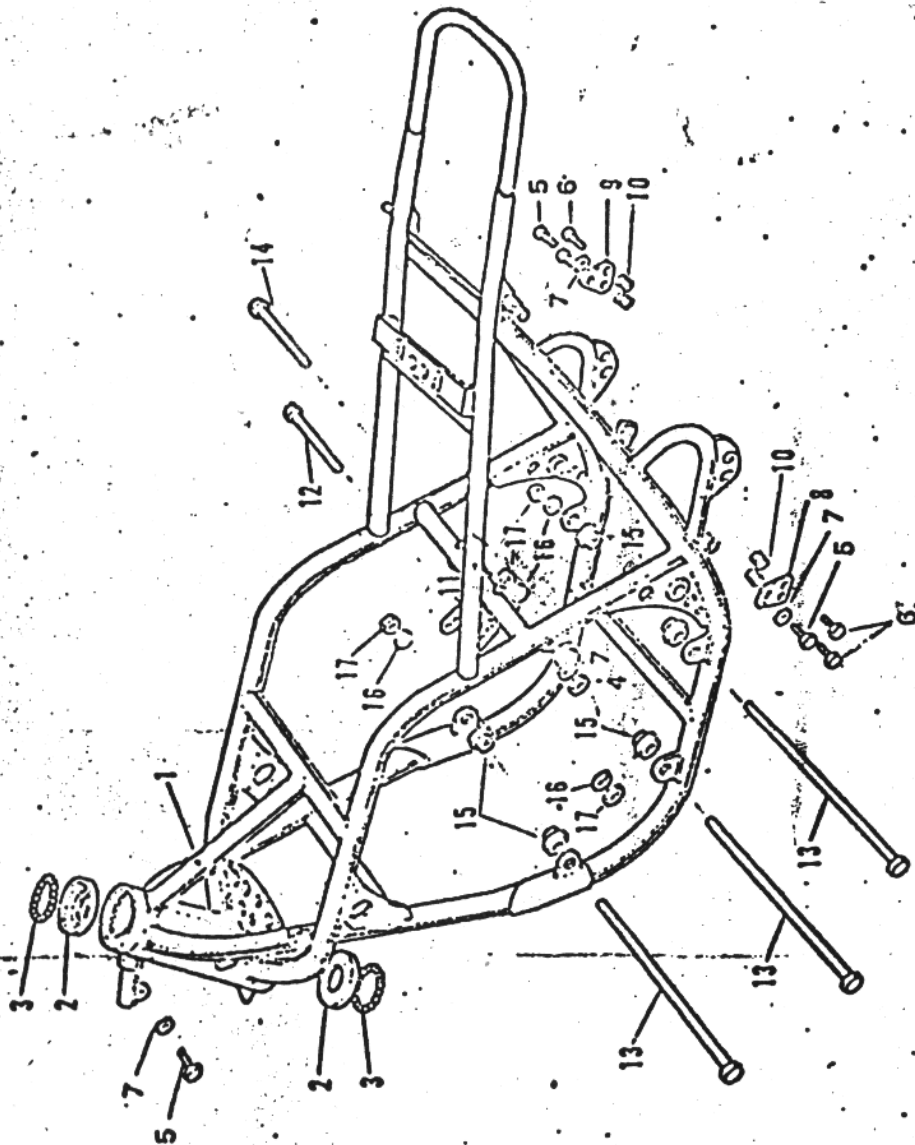
Ref. No.	Part No.	Part Name	Quantity	Remarks
22	16017-044	NEEDLE JET Q-0	1x3	
23	16031-019	FLOAT	1x3	
24	16033-017	SCREW-float chamber fitting	4x3	
25	16012-004	CAP-starter plunger	1x3	
26	16013-003	SPRING-starter plunger	1x3	
27	16016-002	PLUNGER-starter	1x3	
28	16077-006	GUIDE-cable	1x3	
29	16032-003	PIN-float	1x3	
30	16029-004	WASHER-float valve seat	1x3	
31	16030-014	FLOAT VALVE ASS'Y	1x3	
32	16049-002	COVER-main jet	1x3	
33	16034-003	WASHER-main jet cover	1x3	
34	92027-184	COLLAR-carburetor stay	2	
35	92015-063	NUT-carburetor stay	2	
36	16149-001	BAR-carburetor stay	1	
37	16148-001	PLATE-carburetor stay	1	





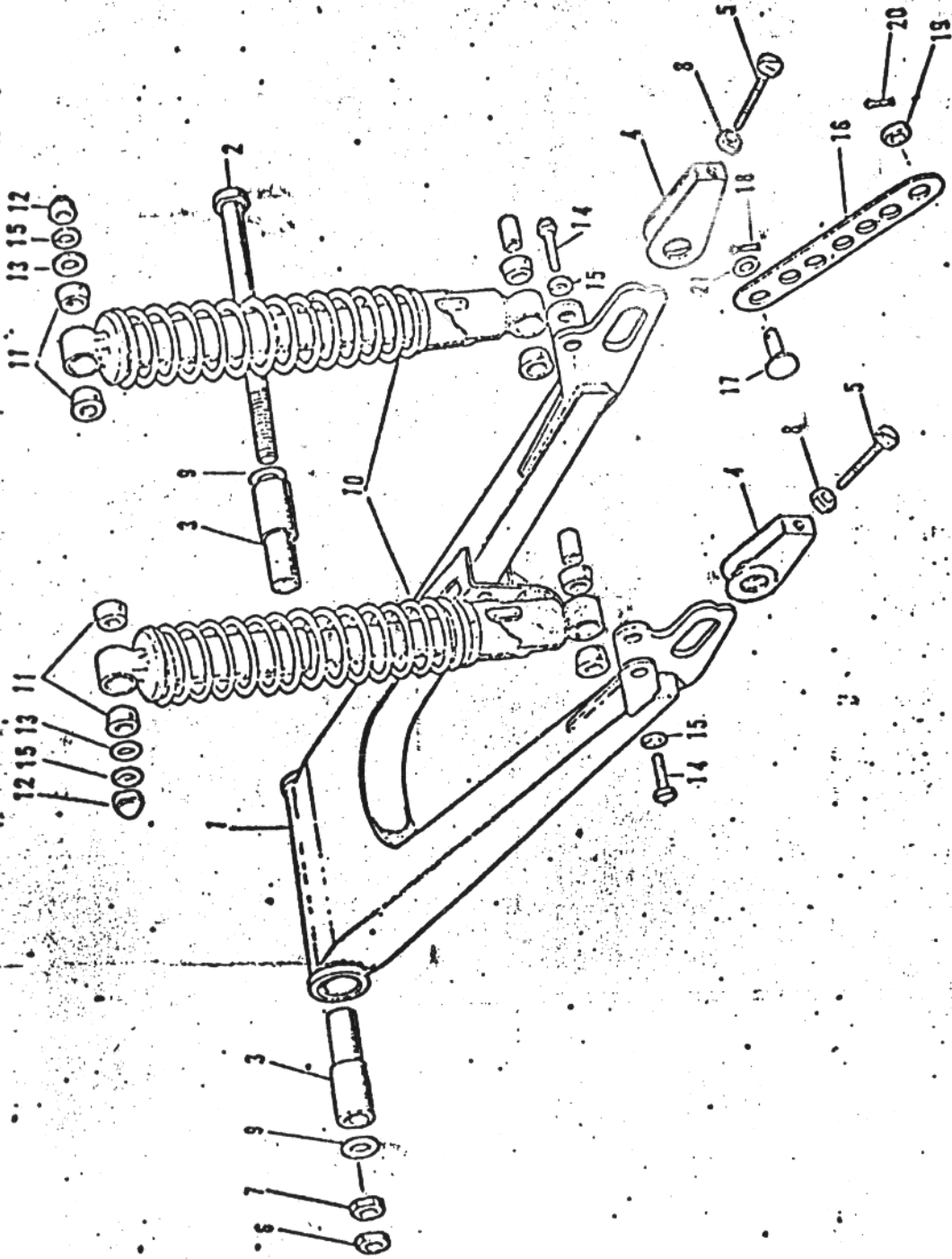
- 1
- 2
- 3
- 4
- 5
- 6
- 7
- 8
- 9
- 10
- 11
- 12
- 13
- 14
- 15
- 16
- 17
- 18
- 19
- 20
- 21
- 22
- 23

Ref. No.	Part No.	Part Name	Quantity	Remarks
1	16082-046	PUMP ASSY-oil	1	
2	92060-008	BOLT-banjo	3	L=17.5 m/m
3	92060-009	BOLT-banjo	1	L=24 m/m
4	92061-015	CONNECTOR-banjo	1	
5	92022-077	GASKET-oil pump banjo	8	
6	220B0514A	SCREW-pan head, 5 x 14	1	
7	220B0528A	SCREW-pan head, 5 x 28	1	
8	16094-002	GASKET-oil pump	1	
9	16134-016	PIPE ASSY-oil, L.H	1	
10	16134-017	PIPE ASSY-oil, Center	1	
11	16134-018	PIPE ASSY-oil, R.H.	1	
12	92060-010	BOLT-banjo	3	Cr-Plated
13	92065-058	GASKET-check valve	3	I.D.=10.5φ
14	92065-023	GASKET-check valve	3	I.D.=8.5φ
15	16068-004	HOLDER-oil pipe	1	
16	220B0610	SCREW-pan head, 6 x 10	1	
17	16089-001	"V" RING-oil pump cam shaft	1	
18	16090-002	"O" RING-oil pump shaft	3	
19	16091-001	OIL SEAL-oil pump shaft	1	
20	16088-002	"O" RING-oil pump upper cap	1	
21	16090-003	"O" RING-oil pump lower cap	1	
22	16096-006	LEVER-oil pump cable	1	
23	461E0500A	WASHER-plain, 5 m/m	2	



- 1
- 2
- 3
- 4
- 5
- 6
- 7
- 8
- 9
- 10
- 11
- 12
- 13
- 14
- 15
- 16
- 17

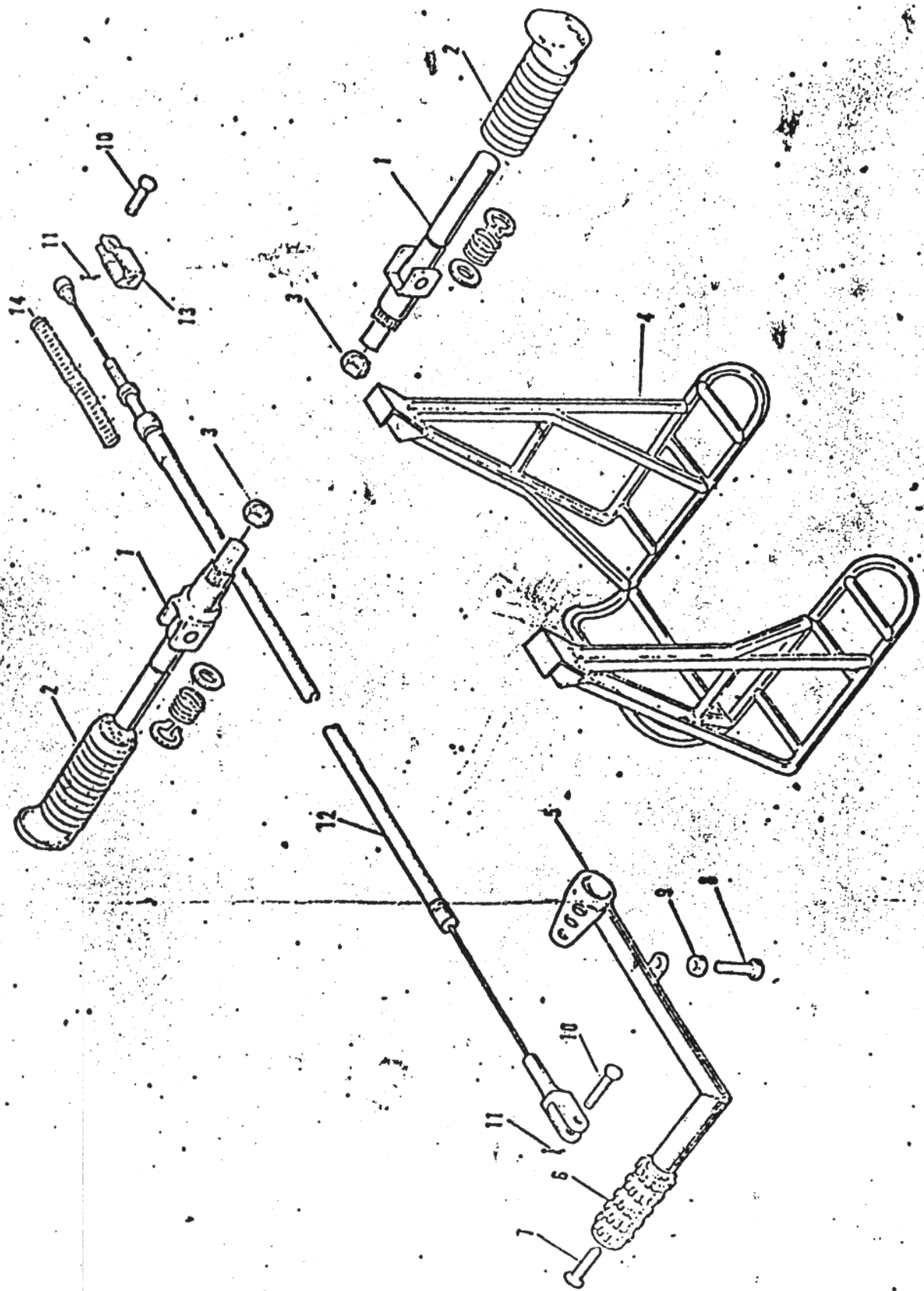
Ref. No.	Part No.	Part Name	Quantity	Remarks
1	32002-066	FRAME	1	
2	92048-006	RACE-steering stem bearing	2	
3	600A0800	STEEL-ball, 1/4"	38	
4	92017-012	NUT, 8 m/m	4	
5	92001-036	BOLT-hex head, 8 x 14	3	
6	92001-074	BOLT-hex head, 8 x 36	4	
7	461F0800	WASHER-spring, 8 m/m	4	
8	31093-007	STAY-muffler, L.H.	1	
9	31093-008	STAY-muffler, R.H.	1	
10	92081-012	SPRING	4	
11	32030-029	PLATE-engine holder	2	
12	92001-090	BOLT-hex head, 10 x 135	1	
13	92001-128	BOLT-hex head, 10 x 285	3	
14	92001-093	BOLT hex head, 8 x 130	1	
15	92094-006	WASHER-rubber	8	
16	461F1000	WASHER-spring, 10 m/m	4	
17	92016-050	NUT, 10 m/m	4	



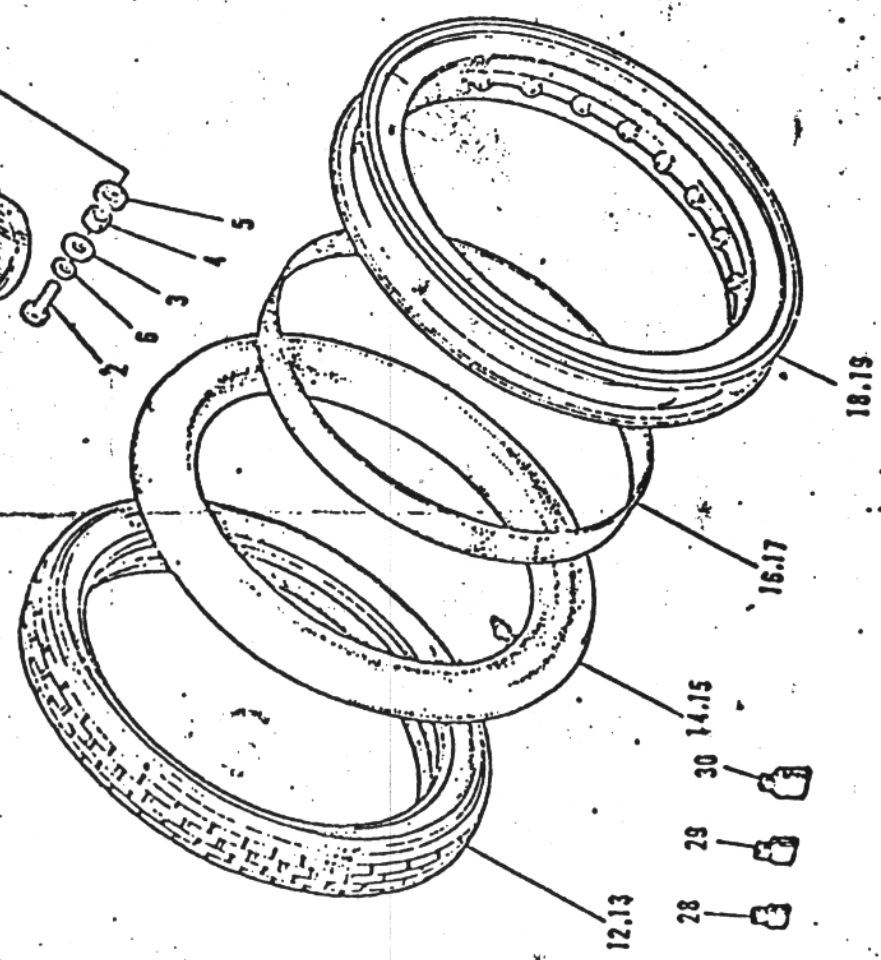
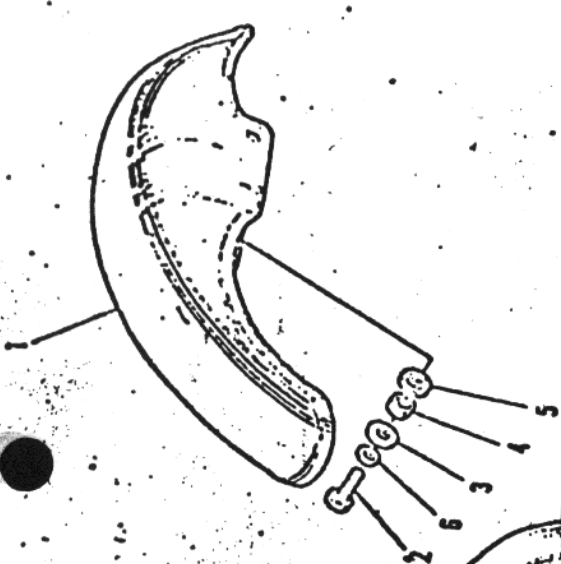
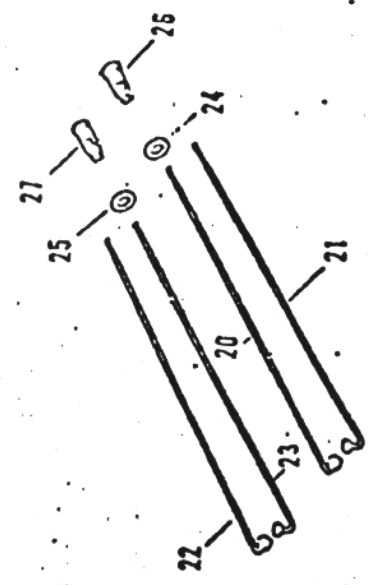
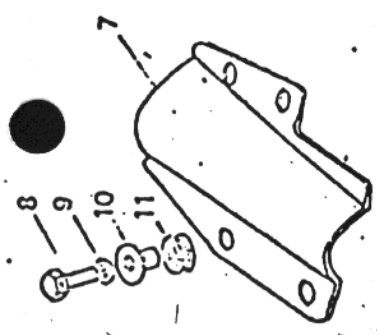
11
12
13
14
15
16
17
18
19
20
21

Ref. No.	Part No.	Part Name	Quantity	Remarks
1	33002-022	ARM-swinging	1	
2	33032-027	SHAFT-swinging arm pivot	1	
3	33034-010	SLEEVE-swinging arm	2	
4	33040-053	ADJUSTER-chain	2	
5	92001-124	BOLT-chain adjuster	2	
6	92016-047	NUT, 14 m/m	1	
7	92016-048	NUT, 14 m/m	1	
8	318B0800	NUT, 8 m/m	2	
9	410B1400	WASHER-plain, 14 m/m	2	
10	45014-085	SHOCK ABSORBER-rear	2	
11	45017-003	BUSH-shock absorber rubber	8	
12	92020-003	NUT-shock absorber fitting	2	
13	92022-044	WASHER-plain, 25 m/m	2	
14	113N1035	BOLT-hex head, 10 x 35	2	
15	461F1000	WASHER-spring, 10 m/m	4	
16	43007-034	LINK-rear torque	1	
17	43009-002	PIN-rear torque link	1	
18	550D3020	PIN-cotter, 3.0 x 20	1	
19	321B0800	NUT-castle, 8 m/m	1	
20	550D2020	PIN-cotter, 2.0 x 20	1	
21	92022-239	WASHER-plain	1	

- 3
- 4
- 5
- 6
- 7
- 8
- 9
- 10
- 11
- 12
- 13
- 14



1	34002-034	FOOTREST ASSY	2	
2	92076-017	RUBBER footrest ✓	2	
3	92016-049	NUT, 10 m/m	2	
4	34033-012	STAND, portable ✓	1	
5	43001-031	PEDAL brake	1	for R.H.
6	92076-011	RUBBER brake pedal ✓	1	
7	212B0612	SCREW pan head, 6 x 12	1	
8	110B0625	BOLT hex head, 6 x 25	1	
9	310B0600	NUT, 6 m/m	1	
10	92043-036	PIN brake cable connector	2	
11	550D2015	PIN cotter, 2.0 x 15	2	
12	54022-018	CABLE ASSY rear brake ✓	1	
13	54024-001	CONNECTOR rear brake cable	1	
14	54025-002	SPRING rear brake cable ✓	1	



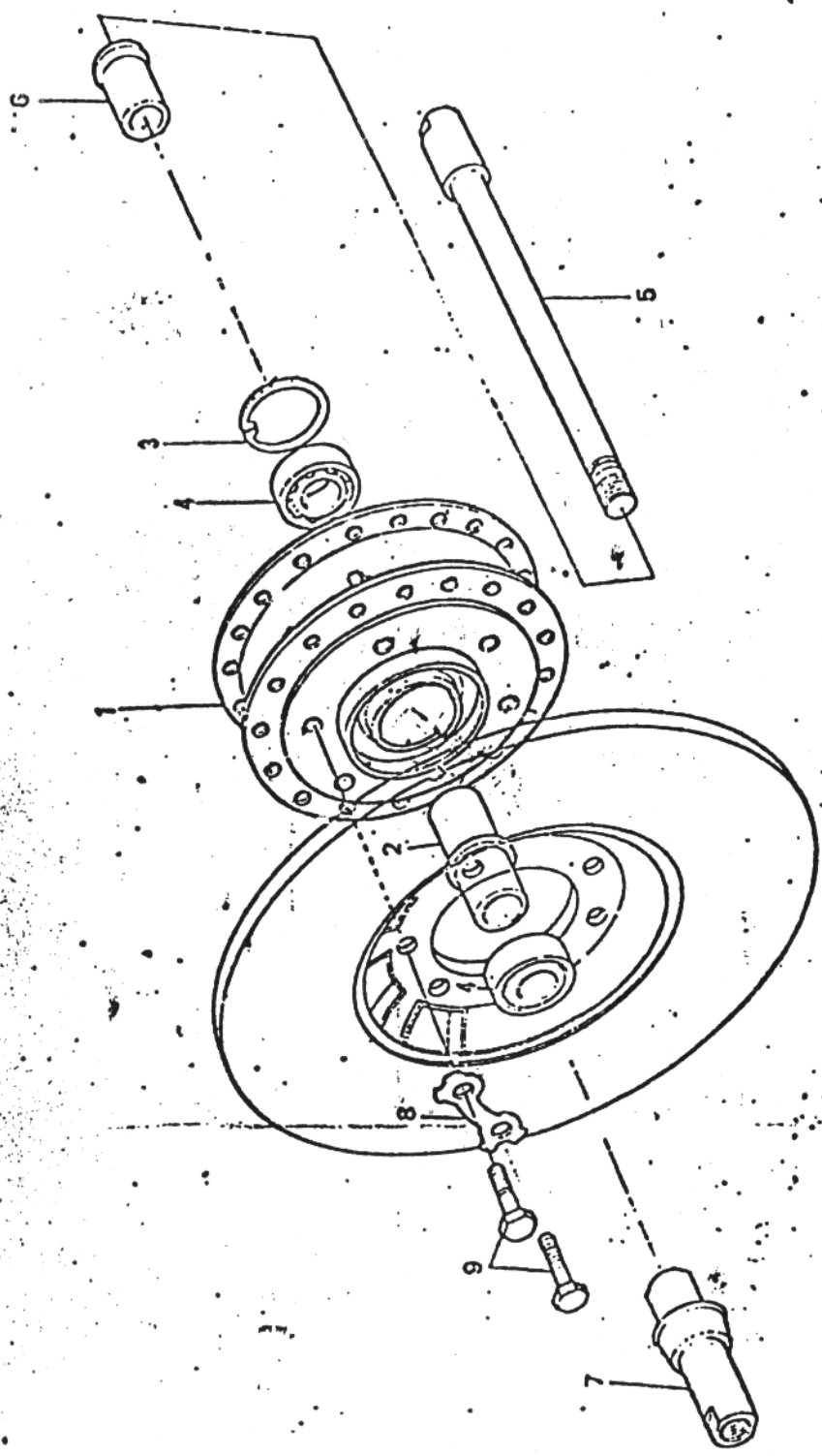
- 1
- 2
- 5
- 6
- 7
- 8
- 9
- 10
- 11
- 12
- 13
- 14
- 15
- 16
- 17
- 18
- 19
- 20
- 21
- 22
- 23
- 24
- 25
- 26
- 27
- 28
- 29
- 30

	Part Name	Quantity	Remarks
1	35001-020	FENDER-front	1
2	92001-098	BOLT-hex head, 8 x 14	4
3	92022-135	WASHER-plain, 8 m/m	8
4	51065-001	COLLAR	4
5	92075-190	DAMPER-rubber	4
6	461F0800	WASHER-spring, 8 m/m	4
7	35023-012	FENDER-rear	1
8	92001-076	BOLT-hex head, 6 x 14	4
9	461F0600	WASHER-spring 6 m/m	4
10	92026-044	COLLAR	4
11	92075-161	DAMPER-rubber	4
12	41020-006	TIRE (3.00-18)	1
13	41020-007	TIRE (3.50-18)	1
14	41022-039	TUBE-tire (3,00-18)	1
15	41022-040	TUBE-tire (3.50-18)	1
16	41023-022	BAND-rim	1
17	41023-023	BAND-rim	1
18	41025-065	RIM (1.85 x 18)	1
19	41025-066	RIM (1.85B x 18)	1
20	41029-047	SPORK-inner	20
21	41030-047	SPORK-outer	20
22	41029-048	SPORK-inner	18
23	41030-048	SPORK-outer	18
24	41031-008	WASHER-nipple	40
25	41031-010	WASHER-nipple	36
26	41032-025	NIPPLE-spork	40
27	41032-026	NIPPLE-spork	36
28	41075-001	WEIGHT-balance (10 g)	A.R
29	41075-002	WEIGHT-balance (20 g)	A.R
30	41075-003	WEIGHT-balance (30 g)	A.R

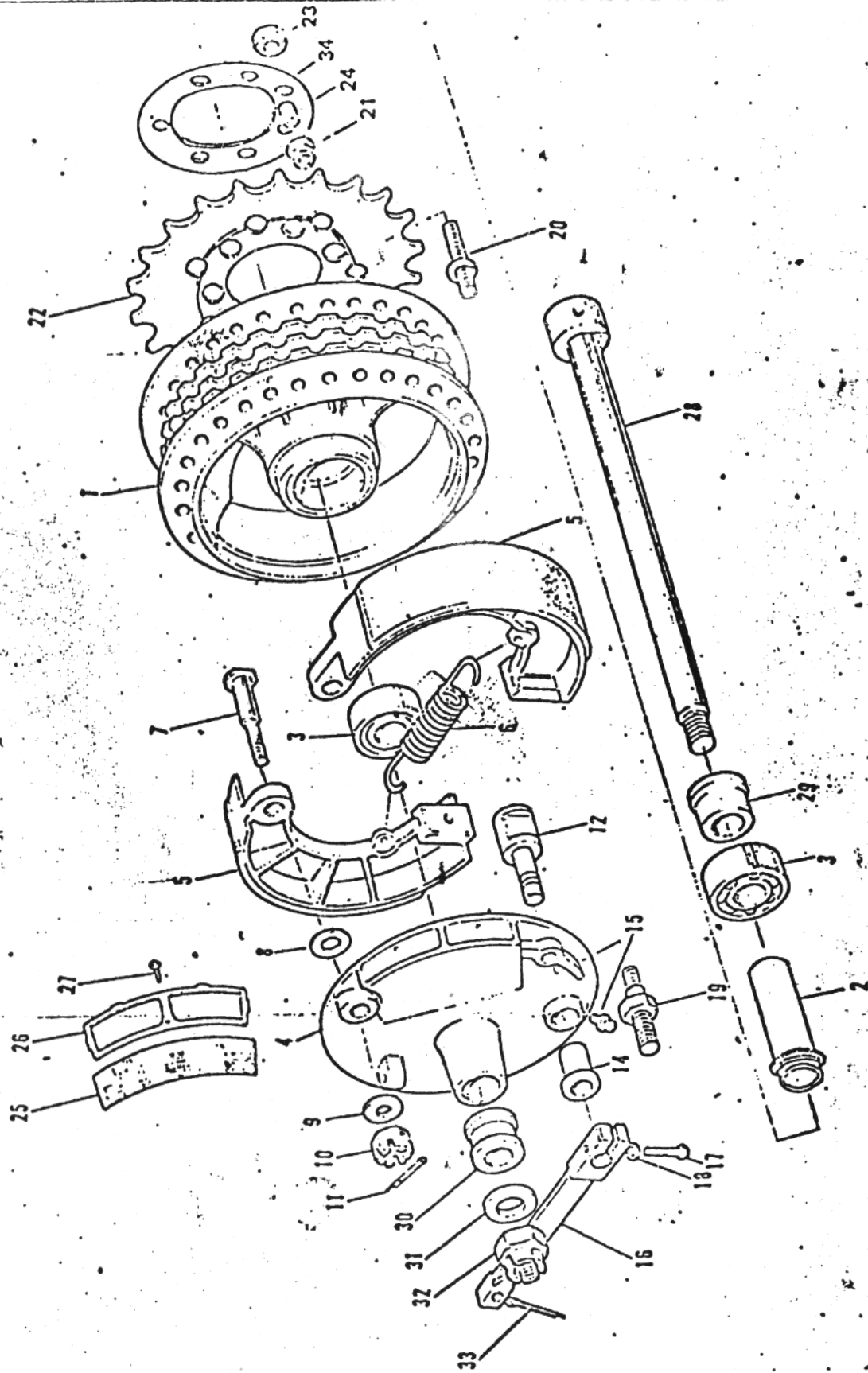
Racing
Racing

for Front
for Front
for Rear
for Rear
for Front
for Rear
for Front
for Rear

- 1
- 2
- 3
- 4
- 5
- 6
- 7
- 8
- 9

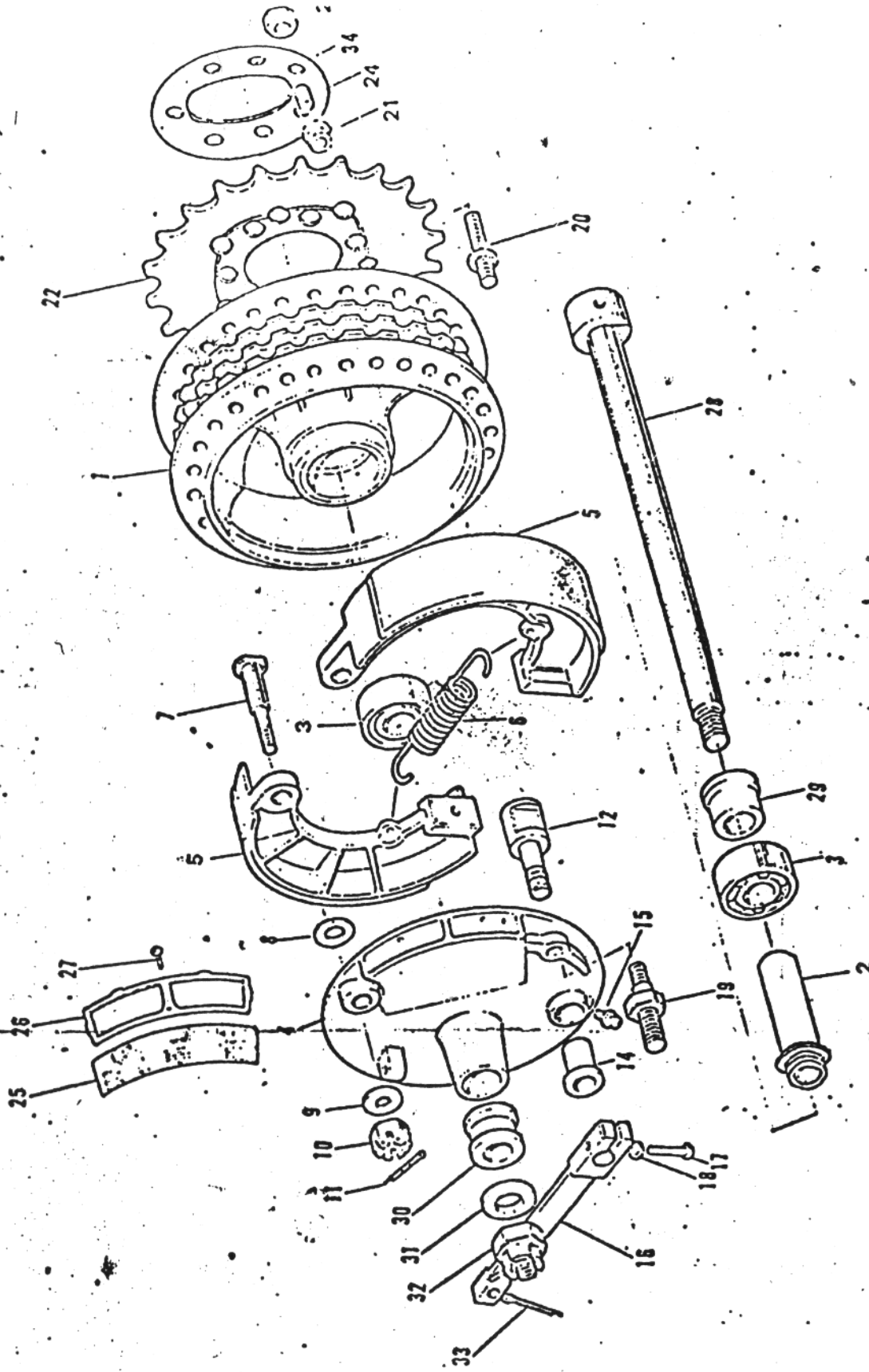


Ref. No.	Part No.	Part Name	Quantity	Remarks
1	41038-026	DRUM-front	1	
2	41039-022	COLLAR-bearing	1	
3	481J4200	CIRCLIP, 42 m/m	1	
4	601B6302Z	BEARING-ball	2	
5	41068-040	AXLE-front	1	
6	41069-022	COLLAR-axle	1	
7	41072-005	NUT-axle	1	
8	92088-014	WASHER-lock	6	
9	92001-104	BOLT-hex head	12	

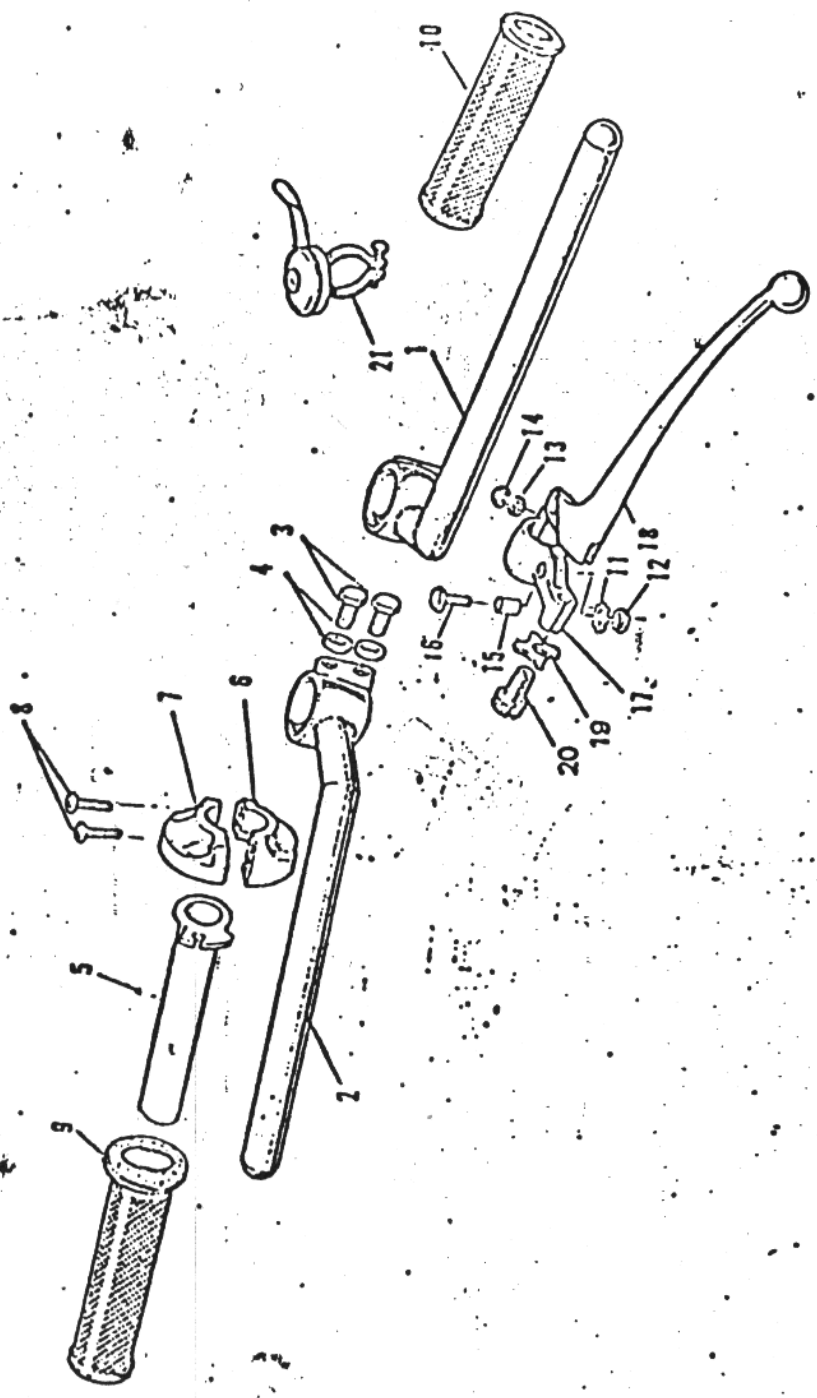


No.	П
1	4
2	42
3	42
4	42
5	42
6	42
7	42
8	92
9	41
10	32
11	55
12	41
14	41
15	42
16	42
17	92
18	42
19	42
20	42
21	92
22	42
23	92
24	92
25	42
26	42
27	210
28	42

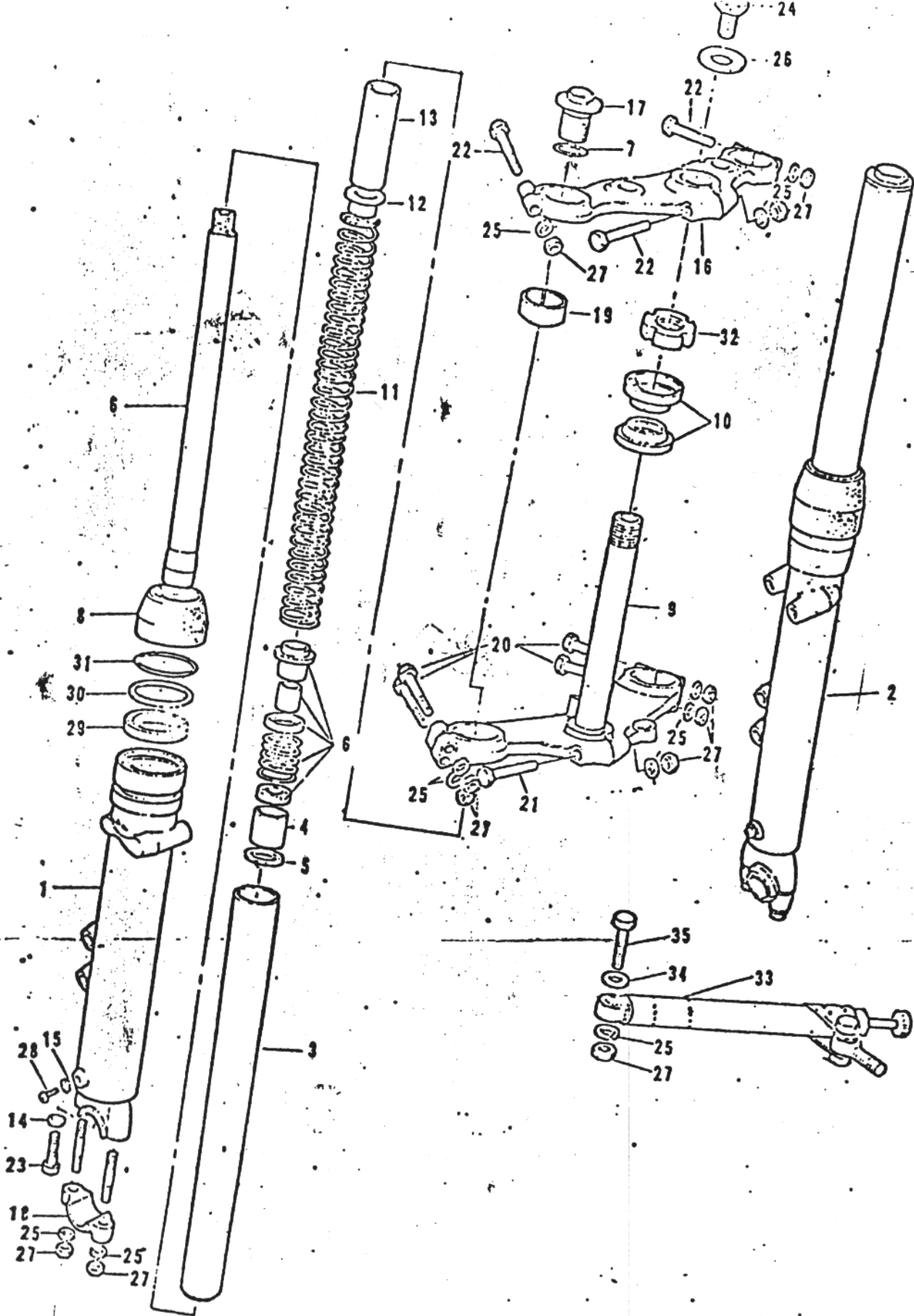
Ref. No.	Part No.	Part Name	Quantity	Remarks
1	42005-033	DRUM-rear brake	1	
2	42010-023	COLLAR-rear hub bearing	1	
3	601B6303Z	BEARING-ball, 6303Z	2	
4	42016-026	PANEL-rear brake	1	
5	42019-008	SHOE-brake	2	
6	41049-010	SPRING-brake shoe	1	
7	42025-005	PIN-rear brake shoe	1	
8	92022-137	WASHER-plain	1	
9	411B1000	WASHER-plain, 10 m/m	1	
10	321B1000	NUT-castle, 10 m/m	1	
11	550D2025	PIN-cotter, 2.0 x 25	1	
12	41050-013	CAM SHAFT-brake	1	
14	41046-012	BUSH-brake panel	1	
15	42028-006	GREASE NIPPLE	1	
16	42029-025	LEVER-rear brake cam	1	
17	92001-063	BOLT-brake cam lever fitting	1	
18	461F0600	WASHER-spring, 6 m/m	1	
19	42017-008	PIN-torque link fitting	1	
20	42038-004	STUD-rear sprocket	7	
21	92075-189	DUMPER-rubber	7	
22	42041-126	REAR SPROCKET 41 Teeth	1	S.T.D.
23	92016-049	NUT-rear sprocket fitting	7	
24	92026-090	SPACER-dumper	7	
25	42021-006	FILTER-ventilator	1	
26	42049-006	PLATE-rear ventilator	1	
27	210B0306	SCREW-pan head, 3 x 6	5	
28	42031-043	AXLE-rear	1	



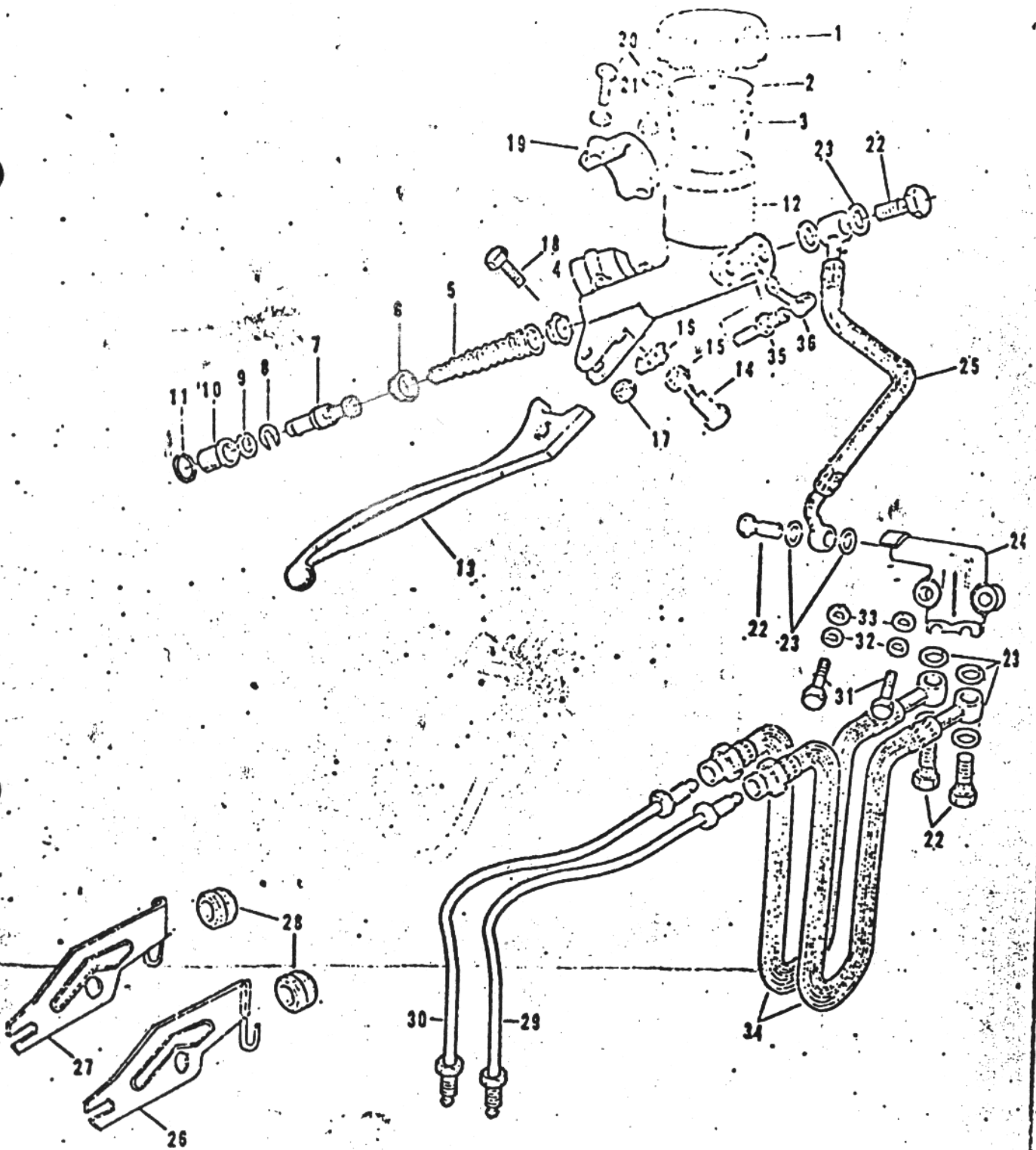
Ref. No.	Part No.	Part Name	Quantity	Remarks
29	42032-039	COLLAR-rear hub R.H.	1	
30	42032-040	COLLAR-rear hub L.H.	1	
31	410B1600	WASHER-plain, 16 m/m	1	
32	321B1600	NUT-castle, 16 m/m	1	
33	550D4030	PIN-cotter, 4 0 x 30	1	
34	92022-247	WASHER-dumper	1	



Ref. No.	Part No.	Part Name	Quantity	Remarks
1	46007-014	HANDLEBAR, L.H.	1	
2	46007-015	HANDLEBAR, R.H.	1	
3	114G0832	BOLT-hex head, 8 x 32	2	
4	461F0600	WASHER-spring, 8 m/m	4	
5~0	46018-027	GRIP ASSY, R.H.	1	
5	46062-005	GRIP-throttle pipe	1	
6	46023-004	CASE-lower, R.H	1	
7	46041-004	CASE-upper, R.H	1	
8	220B0620	SCREW-pan head, 6 x 20	2	
9	46019-027	RUBBER-grip R.H	1	
10	46075-022	RUBBER-grip L.H	1	
11~20	46076-019	LEVER ASSY-clutch	1	
11	464H0600	WASHER-toothed lock, 6 m/m	1	
12	310B0600	NUT, 6 m/m	1	
13	461F0600	WASHER-spring 6 m/m	2	
14	110N0625	BOLT-hex head, 6 x 25	1	
15	46059-005	COLLAR-lever	1	
16	110N0628	BOLT-hex head, 6 x 28	1	
17	46094-012	HOLDER-lever	1	
18	46092-017	LEVER-clutch	1	
19	46056-005	NUT-cable adjusting screw lock	1	
20	46055-006	SCREW-cable adjusting	1	
21	46109-005	LEVER ASSY-starter	1	

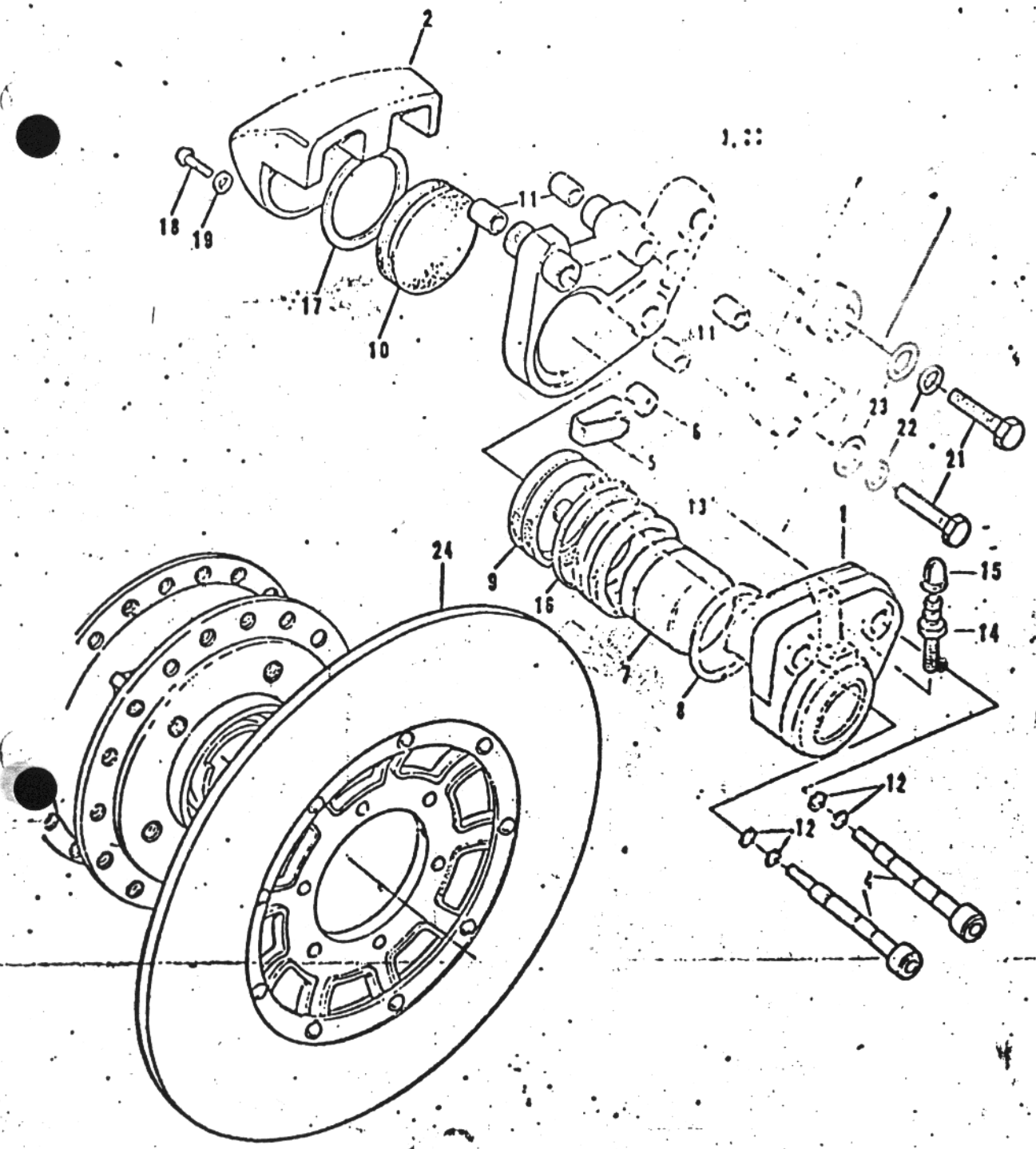


Ref. No.	Part No.	Part Name	Quantity	Remarks
1-31	44003-009	FRONT FORK ASSY	1	
1	44005-049	TUBE-L.H. fork outer	1	
2	44006-047	TUBE-R.H. fork outer	1	
3	44013-041	TUBE-fork inner	2	
4	44018-003	PISTON-fork	2	
5	44044-008	CIRCLIP-fork piston	2	
6	44022-013	CYLINDER ASSY-fork	2	
7	44046-015	"O" RING-fork top bolt	2	
8	44010-022	DUST SHIELD	2	
9	44037-068	HOLDER-under	1	
10	92047-006	RACE INNER-steering ball	2	
11	44026-046	SPRING-fork	2	
12	44029-019	GUIDE-fork spring	2	
13	44028-029	SPACER-fork spring guide	2	
14	44045-034	GASKET-fork drain plug	2	
15	44045-002	GASKET-fork drain plug	2	
16	44039-055	HOLDER-upper	1	
17	44062-006	CAP-fork top fitting	2	
18	44063-003	HOLDER-front axle	2	
19	92027-193	COLLAR	2	
20	44041-058	BOLT-hex head, 8 x 55	4	
21	44047-057	BOLT-under holder	1	
22	44041-056	BOLT-upper holder	3	
23	44041-040	BOLT-fork cylinder	2	
24	44041-055	BOLT-steering shaft	1	
25	461F0800	WASHER-spring, 8 m/m	13	
26	92022-259	WASHER-plain	1	
27	92017-012	NUT, 8 m/m	13	
28	22080408A	SCREW-pan head, 4 x 8	2	
29	44009-015	OIL SEAL ✓	2	
30	44043-044	WASHER-plain	2	
31	44044-012	CIRCLIP	2	
32	92090-009	NUT,-steering	1	
33	46117-007	DAMPER-steering	1	
34	41180600	WASHER-plain 8 m/m	1	
35	92001-126	BOLT	1	

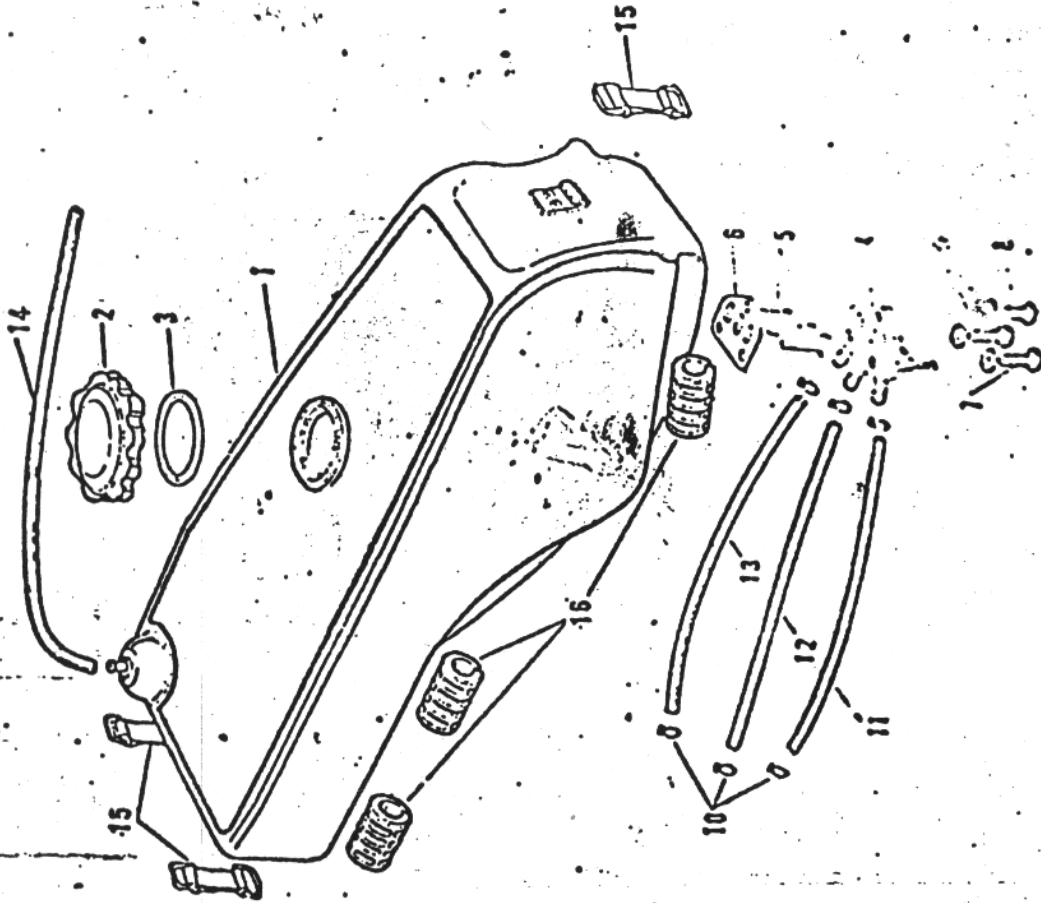


Ref. No.	Part No.	Part Name	Quantity	Remarks
36	43015-004	CYLINDER ASSY-master	1	
1	43026-002	CAP-oil cup	1	
2	43027-002	PLATE-diaphragm	1	
3	43028-002	DIAPHRAGM	1	
4~11	43073-002	REPAIR SET-master cylinder	1	
4	43017-002	VALVE ASSY-check	1	
5	43018-002	SPRING ASSY-return	1	
6	43019-002	CUP-primary	1	
7	43072-003	PISTON ASSY	1	
8	43022-001	STOPPER	1	
9	43023-001	CIRCLIP, 18 m/m	1	
10	43024-001	DUST COVER	1	
11	43025-001	STOPPER-dust cover	1	
12	43016-004	CYLINDER-master	1	
13	43029-001	LEVER-front brake	1	
14	43030-002	BOLT-lever adjust	1	
15	43032-001	NUT-lock, 8 m/m	1	
16	43031-001	WASHER-lock	1	
17	43032-002	NUT-lock, 6 m/m	1	
18	43033-001	BOLT-handle lever pivot	1	
19	43034-001	HOLDER-master cylinder	1	
20	43033-002	BOLT-hex head, 6 x 25	2	
21	43031-002	WASHER-plain, 6 m/m	2	
22	43066-001	BOLT-oil	4	
23	43067-001	WASHER-oil bolt	8	
24	43061-003	JOINT-three way ✓	1	
25	43059-014	HOSE-master cylinder brake ✓	1	
26	43063-004	BRACKET L.H-brake hose	1	
27	43063-005	BRACKET R.H-brake hose	1	
28	43064-001	DAMPER RUBBER-brake hose	1	
29	43060-001	PIPE-bridge L.H	1	
30	43060-002	PIPE-bridge R.H	1	
31	114N0632	BOLT-hex head, 6 x 32	2	
32	461F0600	WASHER-spring, 6 m/m	2	
33	411D0500	WASHER-plain, 6 m/m	2	
34	43059-002	HOSE-caliper brake	2	
35	43056-002	BREATHE	1	
36	43057-002	CAP-breathe	1	

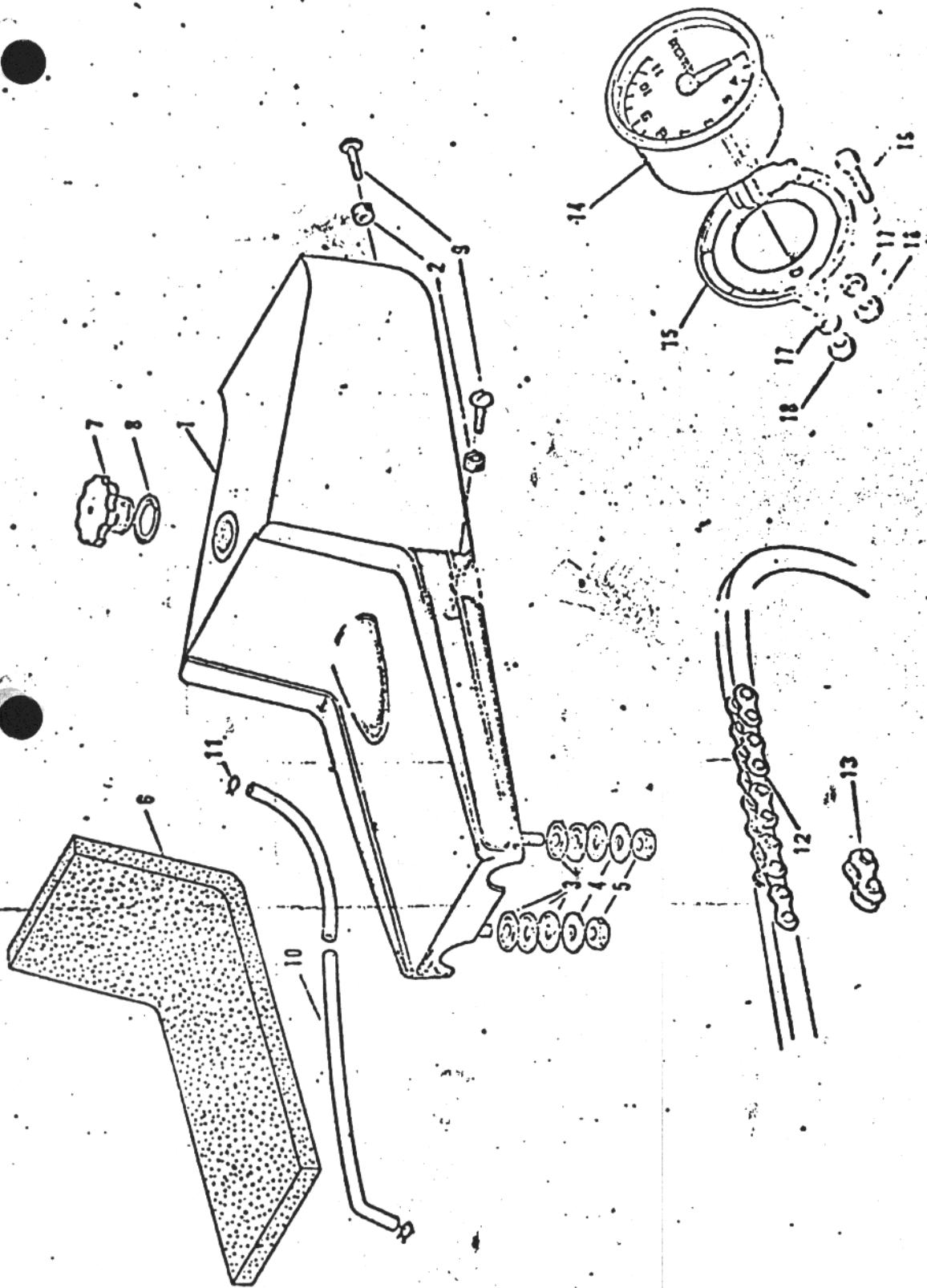
1-1
12
4
5
6
7
8
1
8
9
10
11
12
13
15
16
17
18
19
20
21
22
23
24



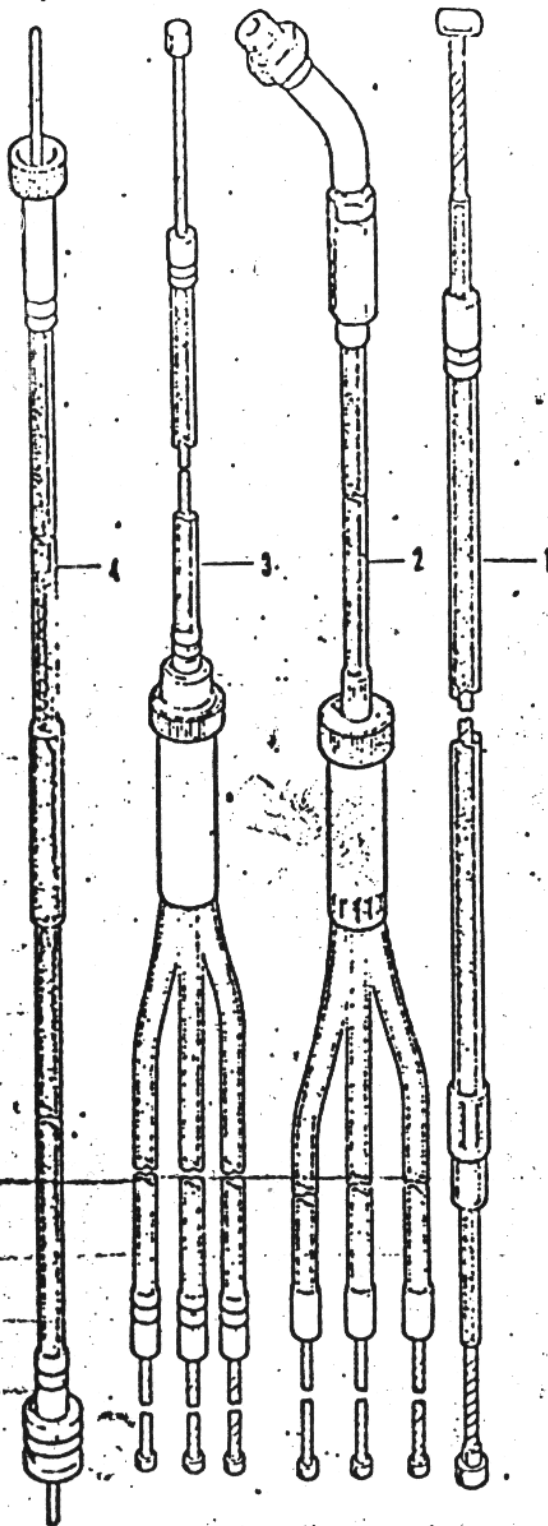
Ref. No.	Part No.	Part Name	Quantity	Remarks
1~19	43041-004	CALIPER ASSY, L.H	1	
1,2,4~20	43041-006	CALIPER ASSY, R.H	1	
1	43042-004	CALIPER A	2	
2	43043-003	CALIPER B	2	
3	43044-004	HOLDER-caliper L.H	1	
4	43045-003	SHAFT	4	
5	43046-001	STOPPER-pad	2	
6	43047-001	BUSHING-rubber	2	
7	43048-002	PISTON	2	
8,11~				
13,16	43073-002	REPAIR SET-caliper	2	
8	43049-002	SEAL-piston	2	
9	43050-002	PAD A	2	
10	43051-001	PAD B	2	
11	43052-003	DUST SHIELD-shaft	8	
12	43053-003	"O" RING	8	
13	43054-002	DUST SHIELD-rubber	2	
14	43056-002	BREEDER	2	
15	43057-002	CAP-breeder	2	
16	43058-001	RING	2	
17	43071-001	RING-pad, B	2	
18	220B0612	SCREW-pan head, 6 x 12	2	
19	461F0600	WASHER-spring, 6 m/m	2	
20	43044-006	HOLDER-caliper R.H	1	
21	43070-001	BOLT-hex head, 10 m/m	4	
22	461F1000	WASHER-spring, 10 m/m	4	
23	41081000	WASHER-plain, 10 m/m	4	
24	41080-003	DISC COMPLETE	2	



Ref. No.	Part No.	Part Name	Quantity	Remarks
1	51002-007	TANK fuel	1	
2	51048-008	CAP-fuel tank	1	
3	51059-007	GASKET-fuel tank cap	1	
4	51024-005	COCK ASSY-fuel	1	
5	51029-003	FILTER-fuel cock	3	
6	92065-087	GASKET-fuel cock	1	
7	110B0632	BOLT-hex head, 6 x 32	2	
8	110B0616	BOLT-hex head, 6 x 16	1	
9	461F0600	WASHER-spring, 6 m/m	3	
10	92037-056	CLAMP fuel pipe	6	
11	51047-008	PIPE-fuel L.H	1	350 m/m
12	51047-009	PIPE-fuel C.	1	300 m/m
13	51047-010	PIPE-fuel R.H	1	310 m/m
14	700006400	PIPE-breather	1	
15	92072-012	BAND-fuel tank	3	
16	92075-084	DAMPER-fuel tank ✓	9	

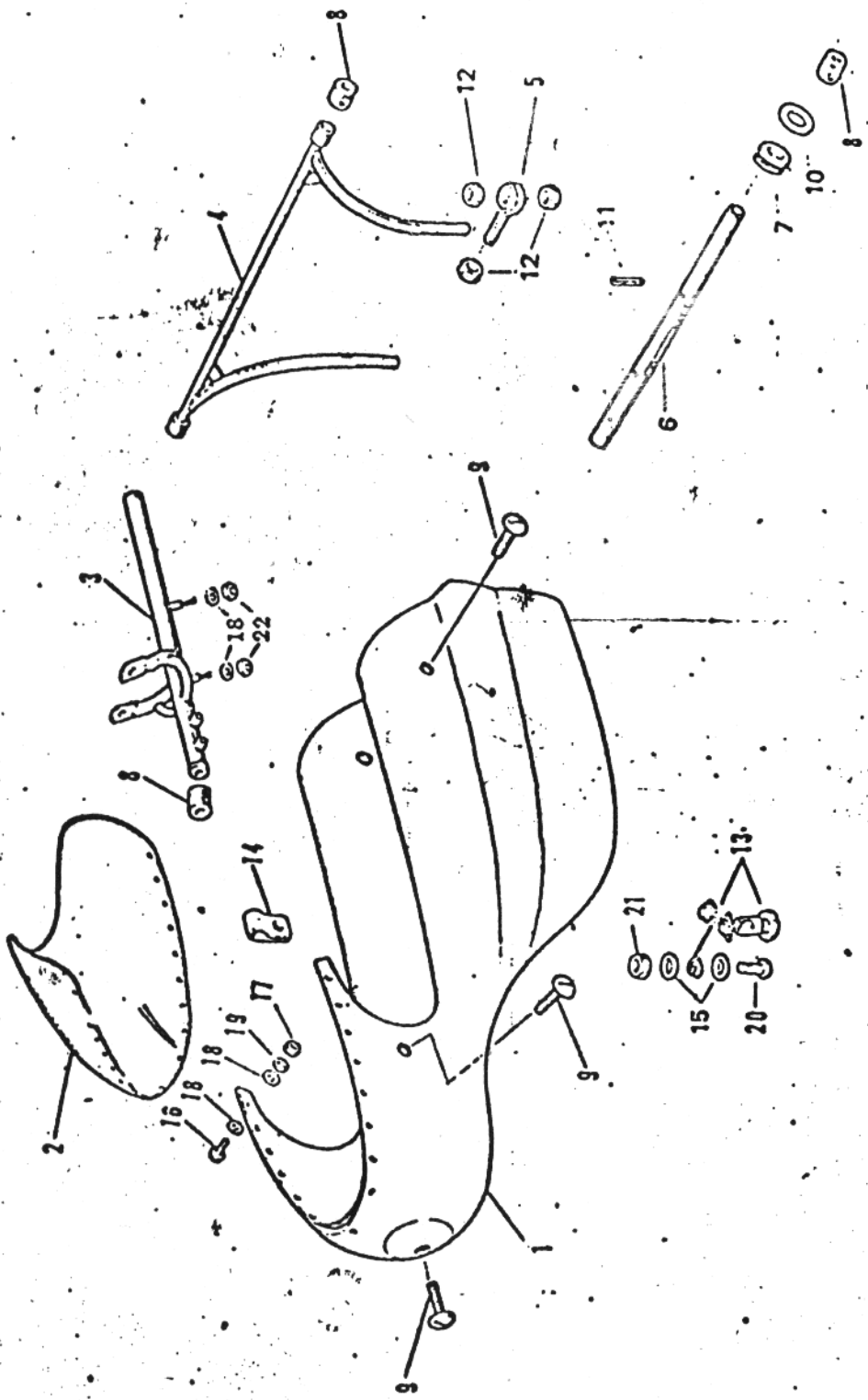


Ref. No.	Part No.	Part Name	Quantity	Remarks
1	53001-084	SEAT	1	
2	92075-191	DAMPER-bolt	3	
3	92094-004	WASHER-rubber	6	
4	92022-135	WASHER-plain	2	
5	92017-012	NUT, 8 m/m	2	
6	53002-049	SEAT-rubber ✓	1	
7	52003-021	CAP-oil tank	1	
8	670B3036	"O" RING-oil tank cap	1	
9	92001-125	BOLT-seat	3	
10	92059-070	PIPE-oil tank	1	
11	92037-010	CLAMP-oil tank pipe	2	
12,13	92057-021	CHAIN ASSY-drive	1	
14	25015-010	TACHOMETER ASSY	1	
15	25008-003	BRACKET-tachometer	1	
16	110B0614	BOLT-6 m/m	2	
17	461F0600	WASHER-spring, 6 m/m	4	
18	310B0600	NUT-6 m/m	4	

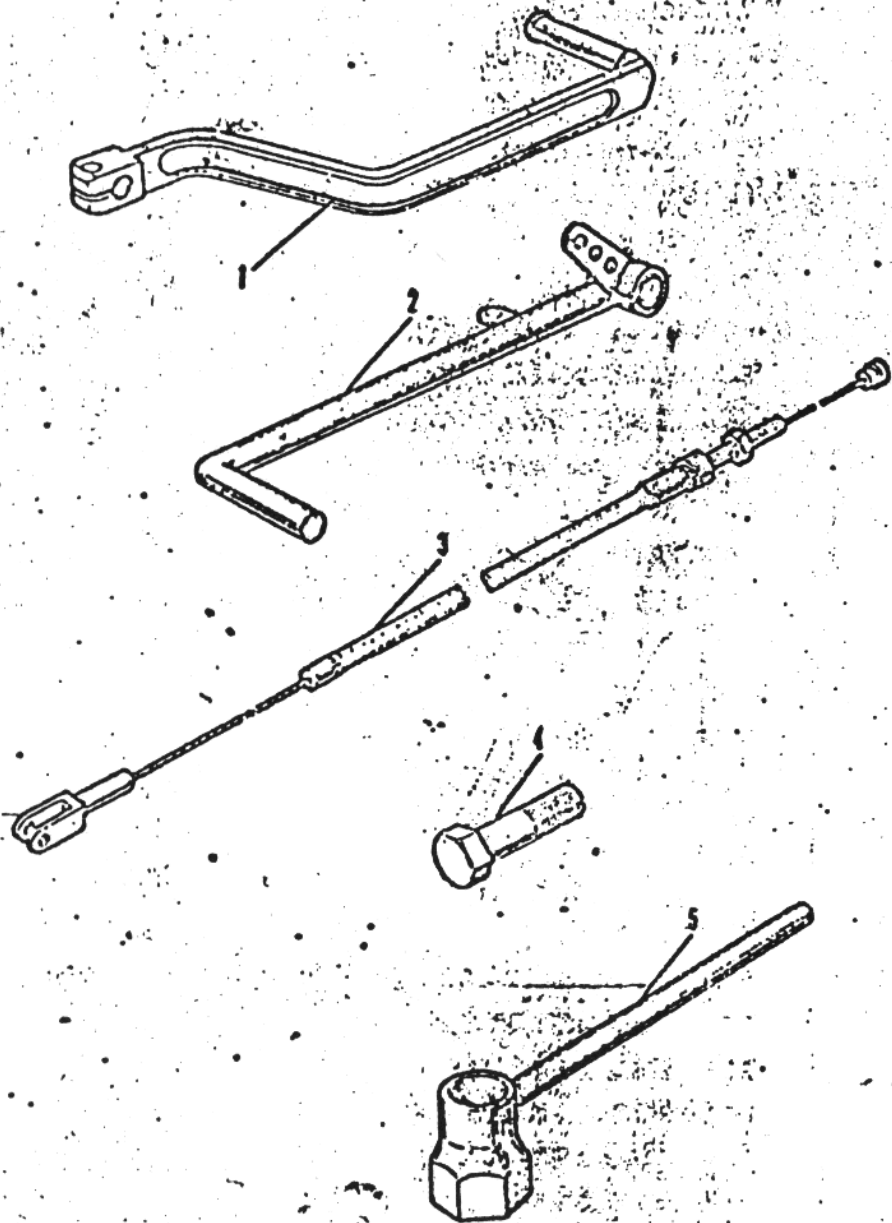


Ref. No.	Part No.	Part Name	Quantity	Remarks
1	54011-037	CABLE ASSY-clutch	1	
2	54012-090	CABLE ASSY-throttle	1	
3	54017-058	CABLE ASSY-starter	1	
4	54018-010	CABLE ASSY-tachometer	1	

489
748



Ref. No.	Part No.	Part Name	Quantity	Remarks
1	55028-005	COWLING	1	
2	55029-004	CANOPY	1	
3	32106-010	STAY-cowling front	1	
4	32106-011	STAY-cowling upper ✓	1	
5	32068-007	BRACKET-cowling front stay	2	
6	32106-012	STAY-cowling, rear ✓	1	
7	92075-104	DAMPER-cowling rear stay	2	
8	92073-010	CAP-rubber	5	
9	92001-039	SCREW-cowling fitting	5	
10	410B1400	WASHER-plain	2	
11	550D3020	PIN-cotter	2	
12	92017-012	NUT, 8 m/m	6	
13	92079-001	FASTENER-cowling	8	
14	32095-005	BRACKET	1	
15	410B0300	WASHER-plain, 3 m/m	32	
16	220B0512A	SCREW-pan head, 5 x 12	9	
17	310B0500A	NUT, 5 m/m	9	
18	410B0500	WASHER-plain, 5 m/m	20	
19	461F0500	WASHER-spring, 5 m/m	9	
20	220B0308A	SCREW-pan head, 3 x 8	16	
21	310B0300A	NUT, 3 m/m	16	
22	92019-014	NUT, 5 m/m	12	



Ref. No.	Part No.	Part Name	Quantity	Remarks
1	13156-050	PEDAL-gear change	1	for R.H.
2	43001-050	PEDAL-brake	1	for L.H.
3	54022-017	CABLE ASSY-rear brake	1	
4	113G1635	BOLT-hex head, 16 x 35	1	Rotor Puller
5	92110-005	WRENCH-spark plug	1	
6	11004-062	GASKET-cylinder head	3	0.2 m/m t
7	11004-063	GASKET-cylinder head	3	0.3 m/m t
8	11004-049	GASKET-cylinder head	3	0.5 m/m t
9	13001-064	PISTON	3	
10	13003-046	RING-piston	6	
11	92036-004	CIRCLIP-piston pin	6	
12	13033-029	NEEDLE BEARING-small end	3	
13	13144-042	ENGINE SPROCKET, 16 Teeth	1	
14	13144-049	ENGINE SPROCKET, 14 Teeth	1	
15	14046-021	GASKET-engine cover R.H	1	
16	92063-026	MAIN JET #240	3	
17	92063-027	MAIN JET #250	3	
18	92063-028	MAIN JET #260	3	
19	92063-029	MAIN JET #270	3	
20	16060-011	PIPE-air inlet	3	
21	16062-013	GASKET-air inlet	3	
22	42041-124	REAR SPROCKET, 39 Teeth	1	
23	42041-128	REAR SPROCKET, 43 Teeth	1	
24	92075-189	DAMPER-rear sprocket	14	
25	92094-006	WASHER-rubber	8	
	13144-048	ENGINE SPROCKET, 13 Teeth		(OPTIONAL PART)
	42041-122	REAR SPROCKET, 37 Teeth		"
	42041-123	REAR SPROCKET, 38 Teeth		"
	42041-125	REAR SPROCKET, 40 Teeth		"
	42041-127	REAR SPROCKET, 42 Teeth		"
	92063-022	MAIN JET #200		"
	92063-023	MAIN JET #210		"
	92063-024	MAIN JET #220		"
	92063-025	MAIN JET #230		"
	92063-031	MAIN JET #290		"
	92063-045	MAIN JET #300		"