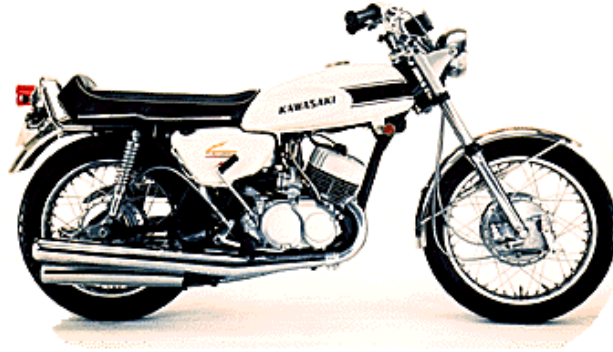
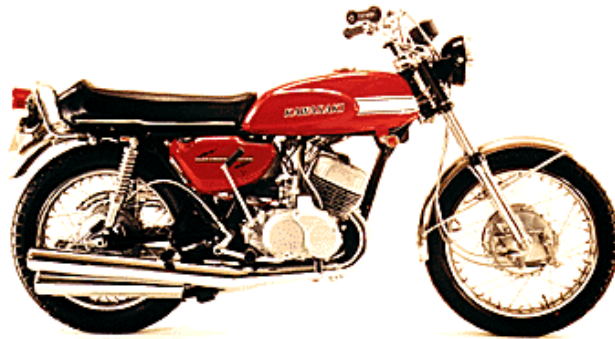


KAWASAKI H1 part numbers

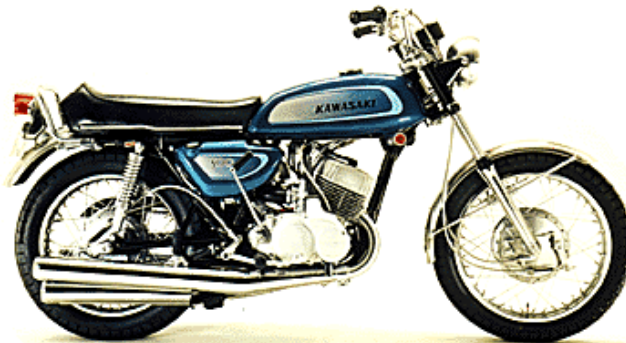
1969 – 1976



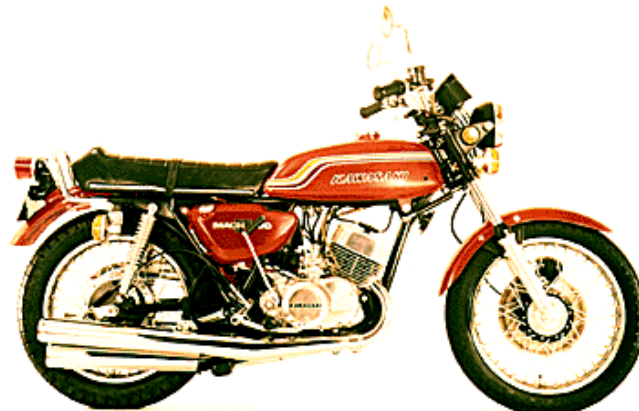
1969



1970



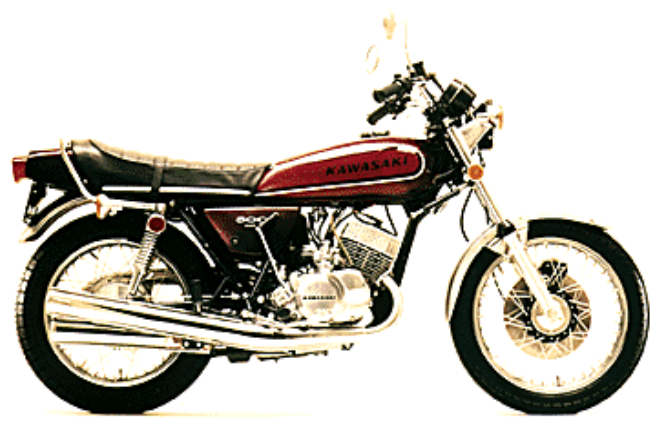
1971



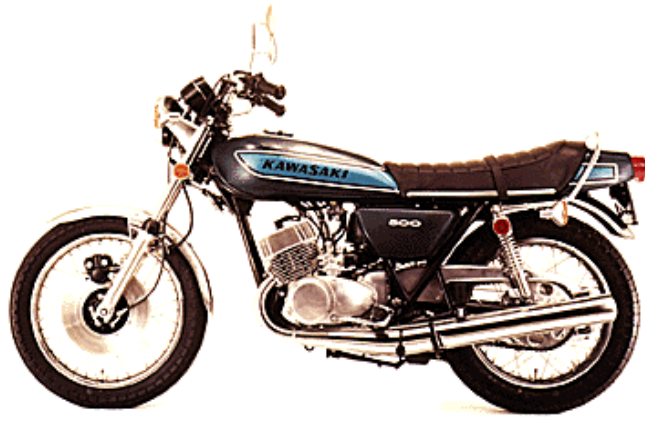
1972



1973



1974



1975



1976

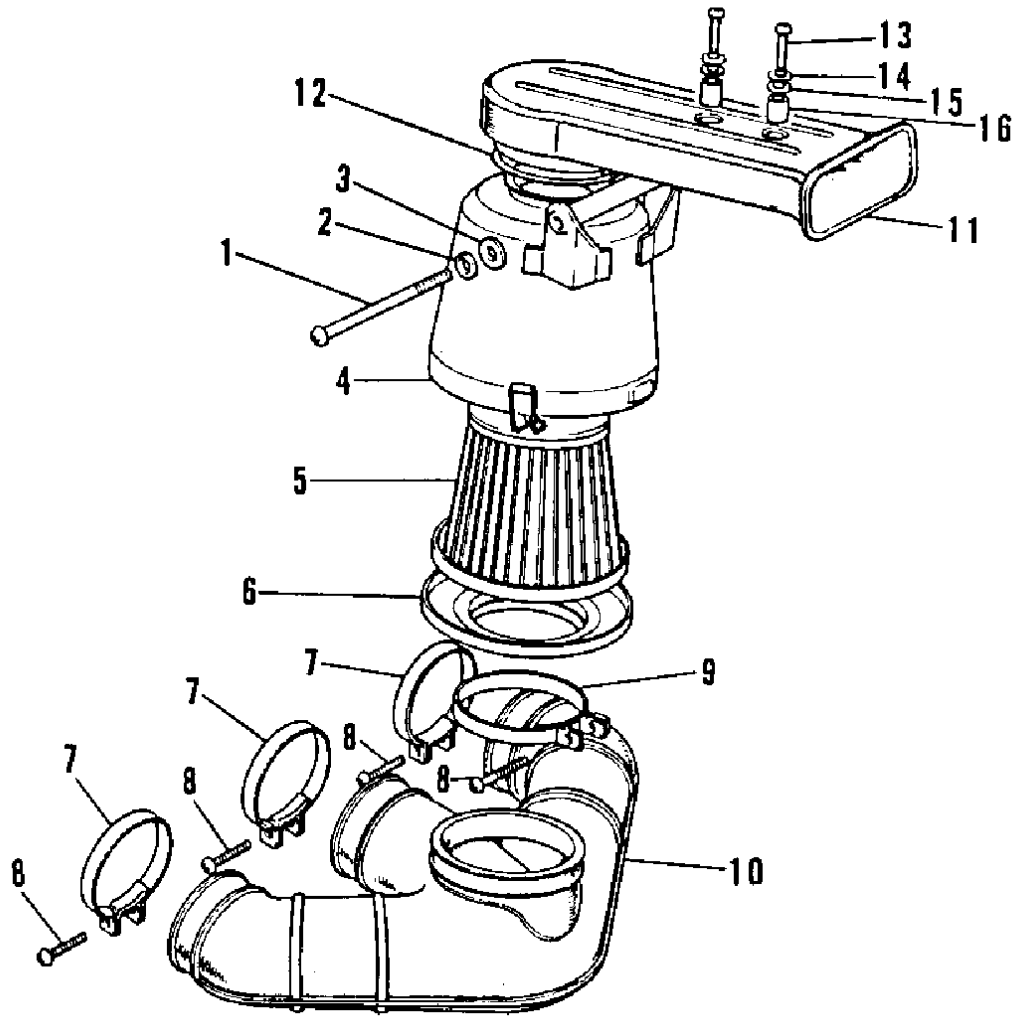
Contents (click on the links)

Air Cleaner (H1-B)	1
Air Cleaner (H1-D/E/F)	3
Air Cleaner (H1-A/C)	5
Air Cleaner (KH500-A8)	7
Cables (69-72 H1-A/B/C)	9
Cables (73-75 D/E/F & '76 A8)	11
CARBURETORS ('69-'72 H1/A/B/C)	12
CARBURETORS ('73-'75 D/E/F & '76 A8)	15
CHASSIS ELECTRICAL EQUIPMENT (H1-B)	18
CHASSIS ELECTRICAL EQUIPMENT (H1-D/E/F)	21
CHASSIS ELECTRICAL EQUIPMENT (H1/A/C)	22
CHASSIS ELECTRICAL EQUIPMENT (KH500-A8)	24
CLUTCH ('69-'72 H1/A/B/C)	26
CLUTCH ('73-'75 D/E/F & '76 A8)	28
CRANKCASE ('69-'72 H1/A/B/C)	31
CRANKCASE ('73-'75 D/E/F & '76 A8)	32
CRANKSHAFT/PISTONS ('69-72 H1/A/B/C)	34
CRANKSHAFT/PISTONS ('73-'75 D/E/F & '76 KH500-A8)	36
CYLINDER HEADS/CYLINDERS	40
ENGINE COVERS ('73-'75 D/E/F & '76 A8)	42
ENGINE COVERS (H1-B)	44
ENGINE COVERS (H1/A/C)	46
FENDERS ('73-'75 D/E/F & '76 A8)	48
FENDERS (H1-B)	50
FENDERS (H1/A/C)	52
FOOTRESTS/STANDS/BRAKE PEDAL ('69-'72 H1	54
FOOTRESTS/STANDS/BRAKE PEDAL ('73-'75 D/E/F, KH500-A8)	56
FRAME/FRAME FITTINGS ('69-'72 H1/A/B/C)	58
FRAME/FRAME FITTINGS ('73-'75 D/E/F & '76 KH500-A8)	61
FRONT BRAKE (H1-B)	64
FRONT BRAKE (H1-D/E/F)	66
FRONT BRAKE (KH500-A8)	68
FRONT FORK ('73-'75 D/E/F & '76 A8)	70
FRONT FORK (H1-B)	73
FRONT FORK (H1/A/C)	76
FRONT HUB (H1-B)	79

FRONT HUB (H1-D/E/F).....	81
FRONT HUB (KH500-A8).....	83
FRONT HUB/BRAKE (H1/A/C).....	85
FRONT MASTER CYLINDER (H1-B).....	87
FRONT MASTER CYLINDER (H1-D/E/F).....	89
FRONT MASTER CYLINDER (KH500-A8).....	91
FUEL TANK ('69-'72 H1/A/B/C).....	93
FUEL TANK ('73-'75 D/E/F & '76 A8).....	96
GEAR CHANGE MECHANISM ('69-'72 H1/A/B/C).....	98
GEAR CHANGE MECHANISM ('73-'75 D/E/F & '76 KH500-A8).....	100
HANDLEBAR ('73-'75 D/E/F & '76 A8).....	102
HANDLEBAR (H1-B).....	105
HANDLEBAR (H1/A/C).....	108
HEADLIGHT ('69-'72 H1/A/B/C).....	111
HEADLIGHT (H1-D/E/F).....	113
HEADLIGHT (KH500-A8).....	115
IGNITION/GENERATOR/REGULATOR (H1-B).....	117
IGNITION/GENERATOR/REGULATOR (H1-D).....	119
IGNITION/GENERATOR/REGULATOR (H1-E/F,KH500-A8).....	121
IGNITION/GENERATOR/REGULATOR (H1/A/C).....	123
KICKSTARTER MECHANISM ('69-'72 H1/A/B/C).....	125
KICKSTARTER MECHANISM ('73-'75 D/E/F & '76 KH500-A8).....	127
METERS (H1-B).....	129
METERS (H1/A/C).....	131
METERS/IGNITION SWITCH ('73-'75 D/E/F & '76 KH500-A8).....	133
MUFFLERS ('69-'72 H1/A/B/C).....	136
MUFFLERS ('73-'75 D/E/F & '76 A8).....	138
OIL PUMP ('69-'72 H1/A/B/C).....	140
OIL PUMP ('73-'75 D/E/F & '76 A8).....	142
OIL TANK ('69-'72 H1/A/B/C).....	144
OPTIONAL PARTS ('69-'72 H1/A/B/C).....	146
OPTIONAL PARTS (H1-B).....	147
OWNER TOOLS ('69-'72 H1/A/B/C).....	149
REAR HUB/BRAKE/CHAIN ('69-'72 H1/A/B/C).....	151
REAR HUB/BRAKE/CHAIN ('73-'75 D/E/F & '76 KH500-A8).....	153
SEAT ('69-'72 H1/A/B/C).....	155
SEAT/SEAT COVER ('73-'75 D/E/F & '76 A8).....	157
SIDE COVER/CHAIN COVER ('69-'72 H1/A/B/C).....	160
SIDE COVERS/OIL TANK/CHAIN COVER ('73-'76).....	162

SWING ARM/SHOCK ABSORBERS ('69-'72 H1/A/B/C)	165
SWING ARM/SHOCK ABSORBERS ('73-'75 D/E/F '76 KH500- A8).....	167
TAILLIGHT ('73-'75 D/E/F & '76 A8).....	170
TAILLIGHT (H1 -B/C)	172
TAILLIGHT (H1/A).....	174
TRANSMISSION/CHANGE DRUM ('69-'72 H1/A/B/C)	176
TRANSMISSION/CHANGE DRUM ('73-'77 D/E/F).....	179
TAILLIGHT ('73-'75 D/E/F & '76 A8).....	182
TURN SIGNALS (H1 -B/C)	184
TURN SIGNALS (H1/A OPTIONAL)	186
WHEELS/TIRES ('69-'72 H1/A/B/C).....	187
WHEELS/TIRES ('73-'75 D/E/F & '76 A8).....	189

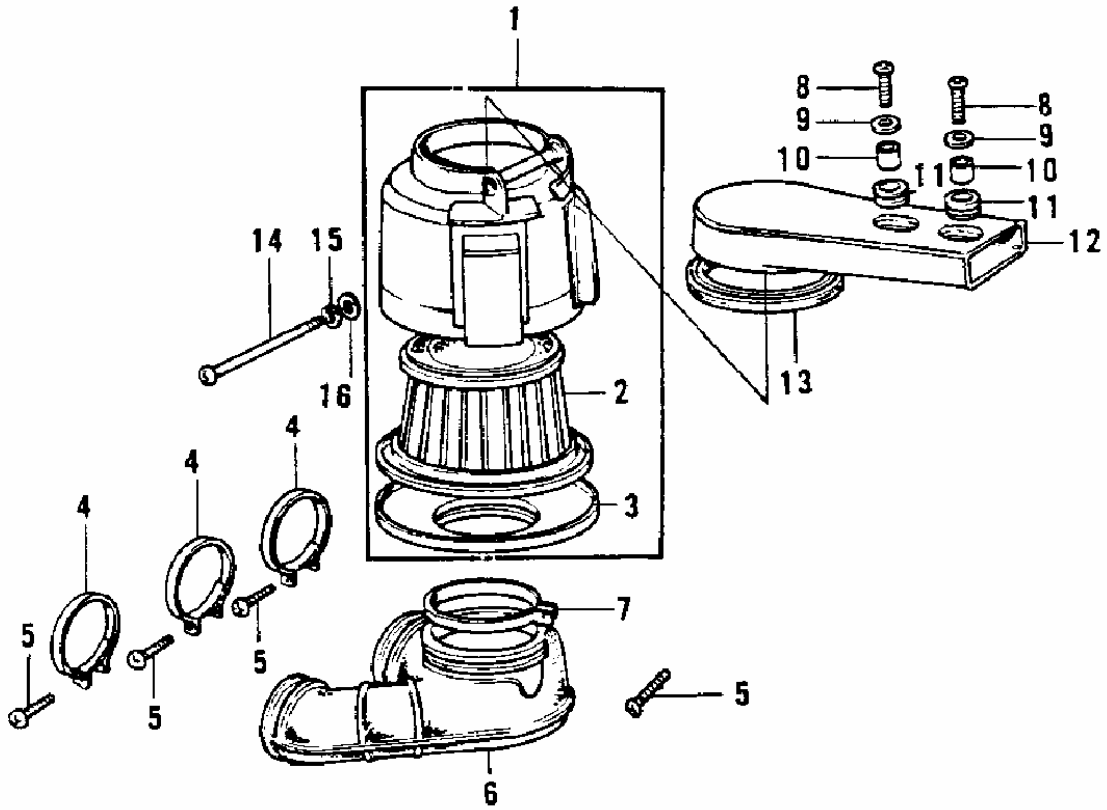
FRONT



AIR CLEANER (H1-B)

Ref #	Part #	Description	Qty	Spec Code
1	220B06110	SCREW PAN HEAD 6X110 1		
2	461F0600	WASHER SPRING 6MM	1	
3	411B0600	WASHER PLAIN 6MM	1	
4	11010-058-21	AIR CLEANER ASY,BLACK	1	
5	11013-019	ELEMENT,AIR CLNR	1	
6	11012-011	CAP AIR CLEANER	1	
7	92037-034	CLAMP AIR CLEANER	3	
8	220B0635	SCREW PAN HEAD 6X35	3	
9	92037-128	CLAMP,AIR CLEANER	1	
10	11015-033	PIPE ASSY-INLET	1	
11	11016-004	SILENCER-AIR CLEANER	1	
12	11017-008	GASKET -INLET	1	
13	220B0645	SCREW PAN HEAD 6X45	2	
14	92022-125	WASHER 6.5X20X1.6T	2	
15	92075-118	DAMPER RUBBER	2	
16	92027-149	COLLAR -SILENCER	2	

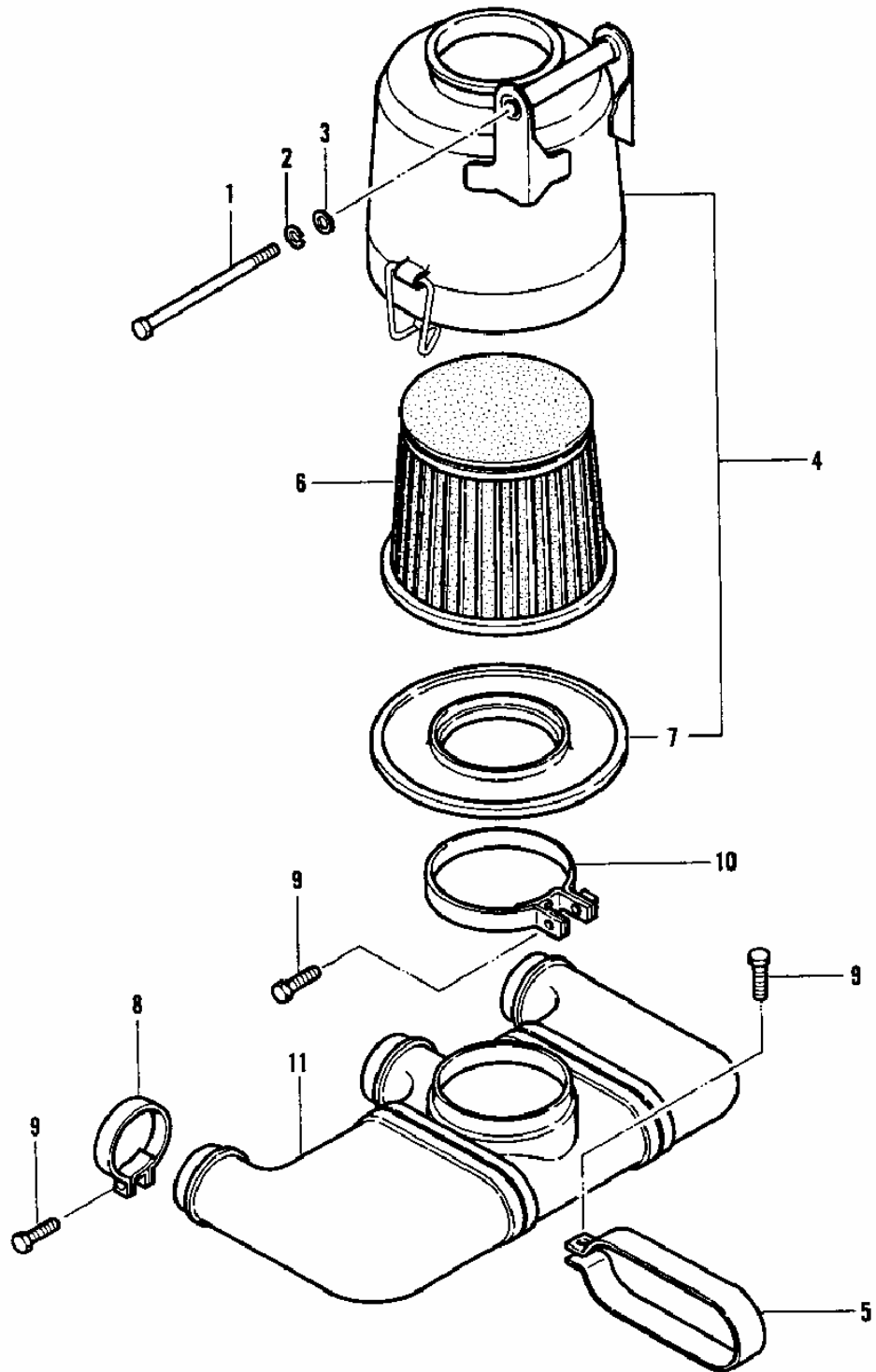
FRONT



AIR CLEANER (H1-D/E/F)

Ref #	Part #	Description	Qty	Spec Code
1	11010-065-10	AIR CLEANER ASY,BLACK	1	H1-D/E
1	11010-091-21	AIR CLEANER ASY,BLACK	1	H1-F
2	11013-019	ELEMENT,AIR CLNR	1	
3	11012-011	CAP AIR CLEANER	1	
4	92037-1326	CLAMP	3	
5	220B0635	SCREW PAN HEAD 6X35	4	H1-D
5	220C0635	SCREW-PAN-CROS,6X35,B	4	H1-E/F
6	11015-033	PIPE ASSY-INLET	1	
7	92037-128	CLAMP,AIR CLEANER	1	
8	220B0645	SCREW PAN HEAD 6X45	2	
9	92022-125	WASHER 6.5X20X1.6T	2	
10	92027-149	COLLAR -SILENCER	2	
11	92075-118	DAMPER RUBBER	2	
12	11016-006	SILENCER	1	
13	11017-009	GASKET,SILENCER	1	
14	220B06110	SCREW PAN HEAD 6X110	1	
15	461F0600	WASHER SPRING 6MM	1	
16	411B0600	WASHER PLAIN 6MM	1	

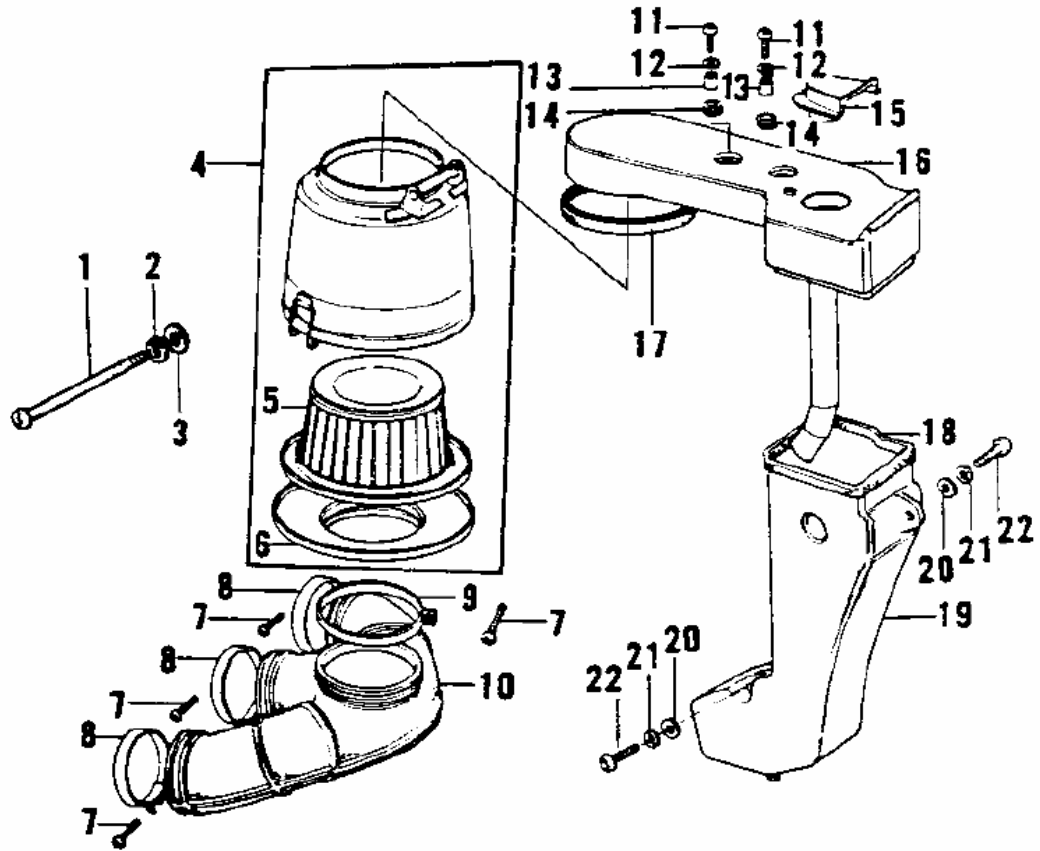
FRONT



AIR CLEANER (H1-A/C)

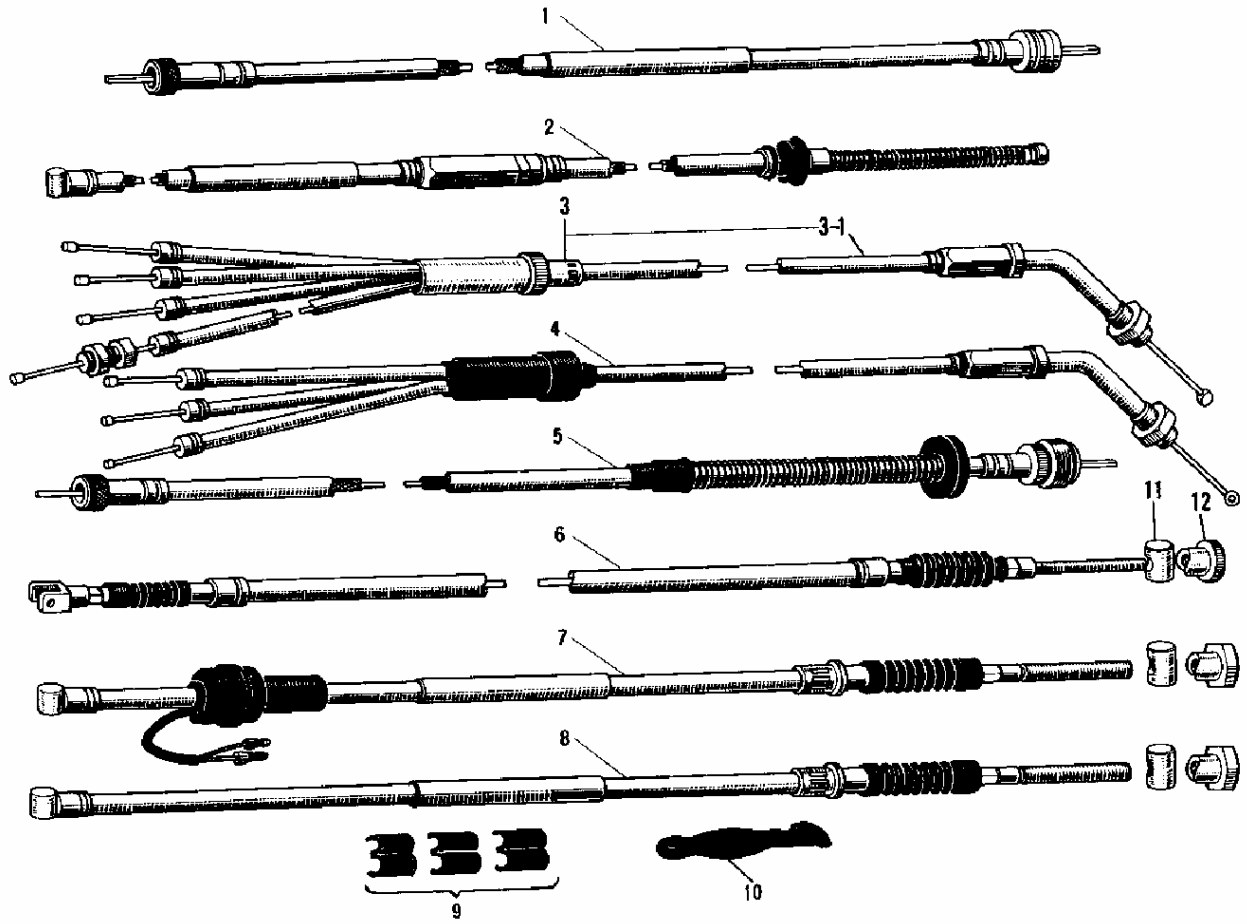
Ref #	Part #	Description	Qty	Spec Code
1	220B06110	SCREW PAN HEAD 6X110	1	
2	461F0600	WASHER SPRING 6MM	1	
3	411B0600	WASHER PLAIN 6MM	1	
4	11010-058-21	AIR CLEANER ASY,BLACK	1	
5	92037-043	CLAMP AIR INLET PIPE	2	
6	11013-019	ELEMENT,AIR CLNR	1	
7	11012-011	CAP AIR CLEANER	1	
8	92037-034	CLAMP AIR CLEANER	3	
9	220B0635	SCREW PAN HEAD 6X35	3	
10	92037-128	CLAMP,AIR CLEANER	1	
11	11015-014	INLET PIPE	1	

FRONT



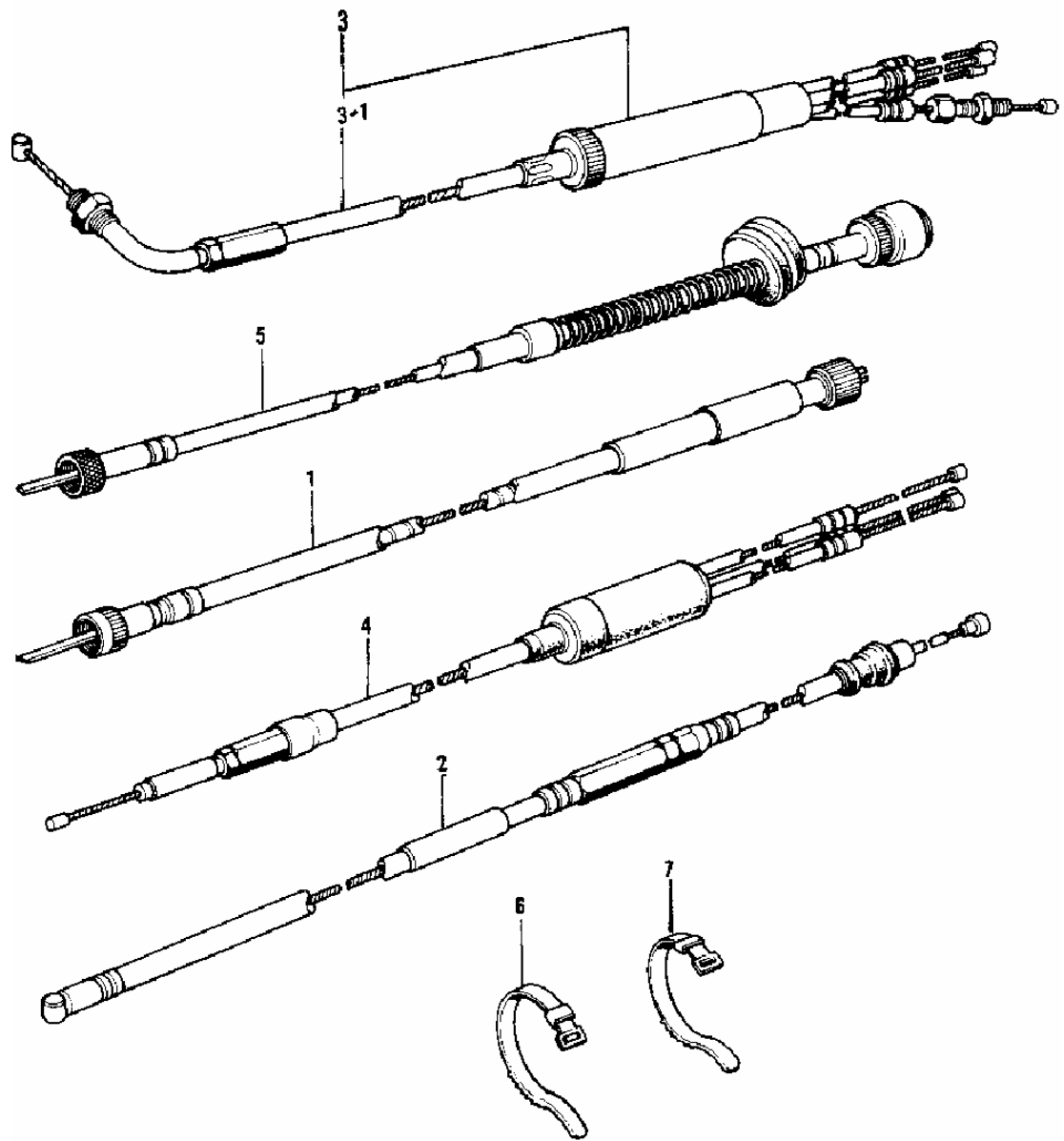
AIR CLEANER (KH500-A8)

Ref #	Part #	Description	Qty	Spec Code
1	220B06110	SCREW PAN HEAD 6X110	1	
2	461F0600	WASHER SPRING 6MM	1	
3	410B0600	WASHER PLAIN 6MM	1	
4	11010-097	AIR CLEANER ASSY	1	
5	11013-057	ELEMENT,AIR CLNR	1	
6	11012-011	CAP AIR CLEANER	1	
7	220C0635	SCREW-PAN-CROS, 6X35,B	4	
8	92037-1326	CLAMP	3	
9	92037-1326	CLAMP	3	
10	11015-033	PIPE ASSY-INLET	1	
11	220B0645	SCREW PAN HEAD 6X45	2	
12	92022-125	WASHER 6.5X20X1.6T	2	
13	92027-149	COLLAR -SILENCER	2	
14	92075-118	DAMPER RUBBER	2	
15	11012-062	CAP,AIR CLEANER	1	
16	11012-061	SILENCER,AIR CLEANER	1	
17	11017-009	GASKET,SILENCER	1	
18	11017-013	GASKET,CLEANER BODY	1	
19	11011-056	BODY,AIR CLEANER	2	
20	92022-024	WASHER PLAIN	2	
21	461F0600	WASHER SPRING 6MM	2	
22	112G0616	BOLT-UPSET,6X16	2	



CABLES (69-72 H1-A/B/C)

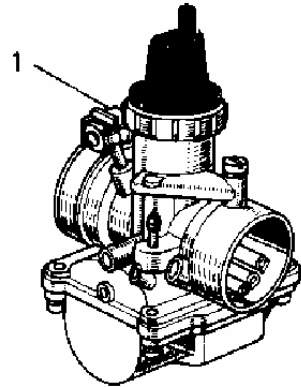
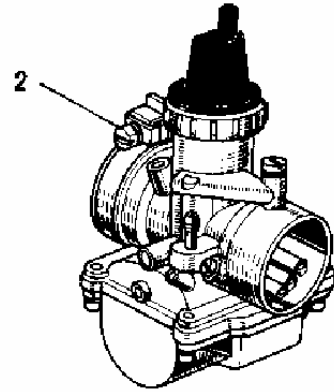
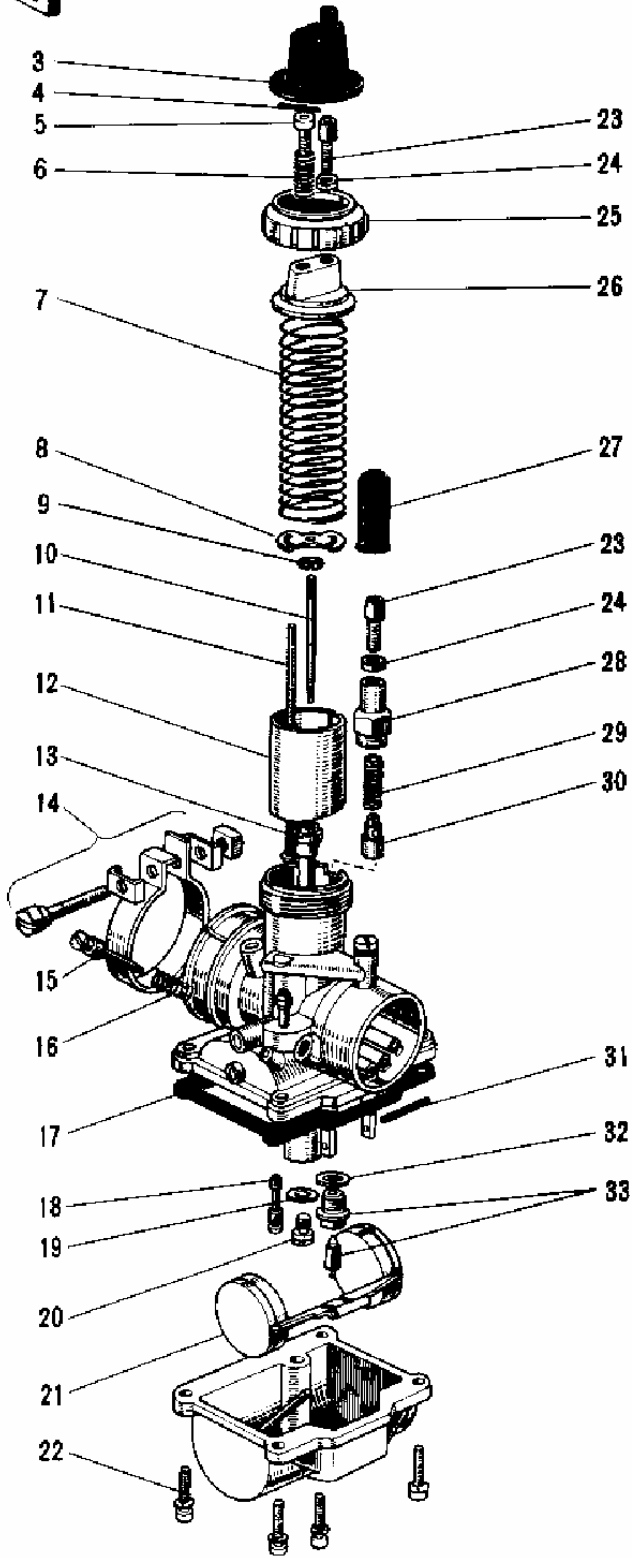
Ref #	Part #	Description	Qty	Spec Code
1	54001-026	CABLE,SPEEDOMETER	1	H1/A/C
1	54001-036	CABLE,SPEEDOMETER	1	H1-B
2	54011-030	CABLE CLUTCH	1	
3	54012-054	CABLE COMBINATION	1	
.	54012-055	CABLE COMBINATION	1	NOTE: INDICATES CABLES AS OPTION
3-1	54012-054-SP	CABLE,TROTTLE UPPER	1	
4	54017-031	CABLE STARTER	1	
.	54017-032	CABLE STARTER	1	NOTE: INDICATES CABLES AS OPTI ON
5	54018-007	CABLE TACHOMETER	1	
6	54022-011	CABLE REAR BRAKE	1	
7	54005-040	CABLE FRONT BRAKE	1	H1/A/C
8	54005-019	CABLE FRONT BRAKE	1	H1/A/C
9	92037-069	CLAMP-CABLE	3	
10	92072-013	BAND RUBBER	1	
11	92043-053	PIN BRAKE ROD	1	
12	92015-041	NUT -BRAKE CABLE ADJST	1	



CABLES (73-75 D/E/F & 76 A8)

Ref #	Part #	Description	Qty	Spec Code
1	54011-030	CABLE CLUTCH	1	
2	54011-030	CABLE CLUTCH	1	
3	54012-054	CABLE COMBINATION	1	
3-1	54012-054-SP	CABLE, TROTTLE UPPER	1	
4	54017-053	CABLE, STARTER	1	
5	54018-007	CABLE TACHOMETER	1	
6	92072-031	BAND, MIDDLE	2	
7	92072-032	BAND, LONG	2	

FRONT

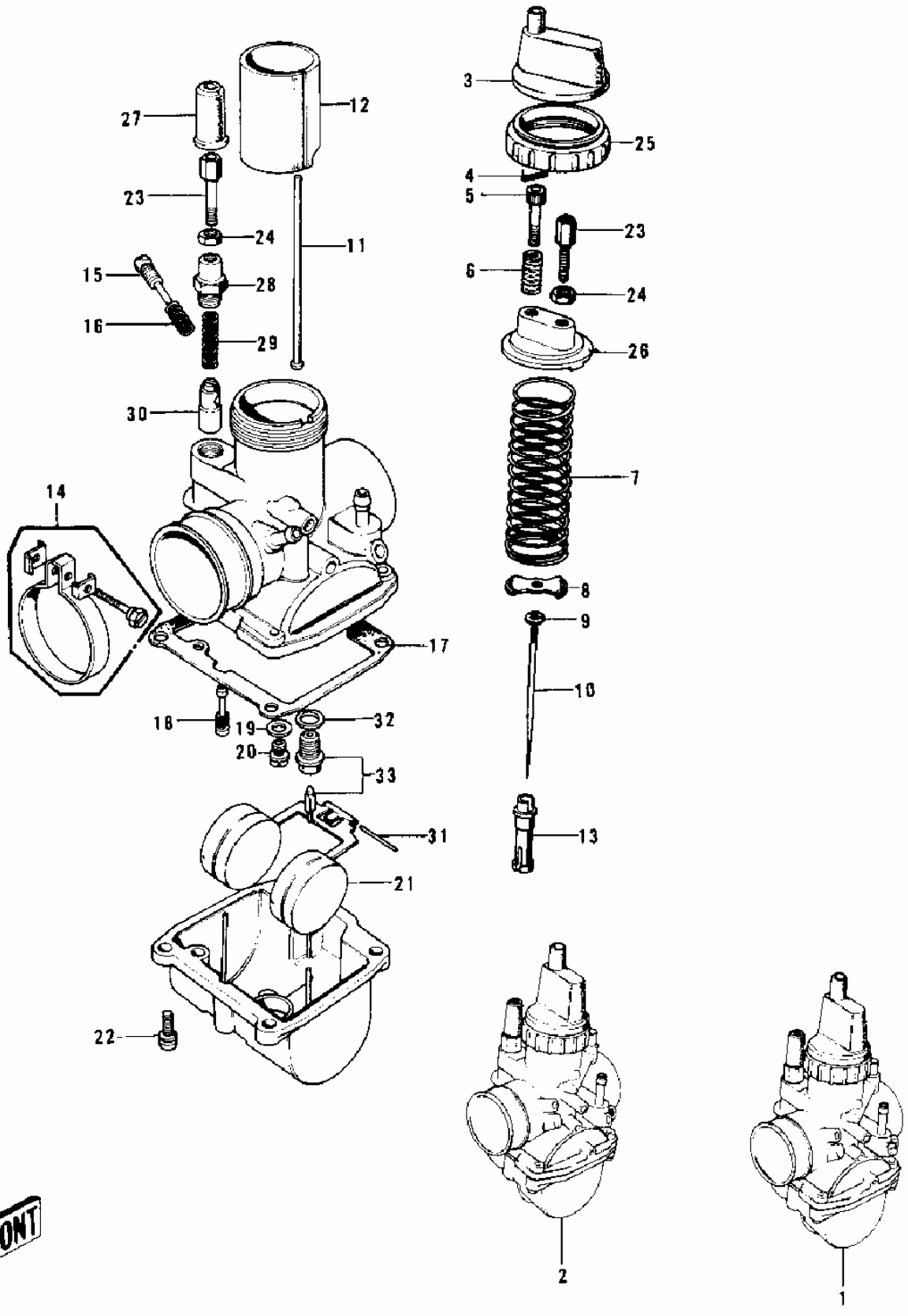


CARBURETORS ('69-'72 H1/A/B/C)

Ref #	Part #	Description	Qty	Spec Code
1	16001-165	CARBURETOR ASY, L.H&CN	2	
1	16001-165	CARBURETOR ASY, L.H&CN	2	E/NO. 61607-
1	16001-165	CARBURETOR ASY, L.H&CN	2	
2	16001-166	CARBURETOR ASSY, R.H	1	
2	16001-166	CARBURETOR ASSY, R.H	1	E/NO. 61607-
2	16001-166	CARBURETOR ASSY, R.H	1	
3	16036-004	CAP CARBURETOR RUBBER	3	
4	550D1210	PIN COTTER 1.2X10	3	
5	16021-002	SCREW, THROTTLE STOP	3	
6	16022-005	SPRING THR STOP SCREW	3	
7	16006-012	SPRING THROTTLE VALVE	3	
8	16007-007	SPRING SEAT THRTL VLV	3	
9	16008-010	CIRCLIP	3	
10	16009-021	JET NEEDLE, 5GL03	3	H1/A/C
10	16009-049	JET NEEDLE 5DJ19	3	H1-B
11	16024-005	ROD THROTTLE VLV STOP	3	
12	16025-021	VALVE THROTTLE CA3.0	3	H1/A/C
12	16025-048	VALVE-THROTTLE CA2.0	3	H1-B
13	16017-029	NEEDLE JET O-2	3	H1/A/C
13	16017-058	NEEDLE JET 0-4	3	H1-B, -E/NO. 61606
13	16017-062	NEEDLE JET, 0-4	3	H1-B, E/NO. 61607
14	16051-002	CLAMP SET CARB MOUNT	3	
15	16014-006	SCREW	3	
16	16022-007	SPRING-THR STOP SCREW	3	
17	16019-008	GASKET FLOAT CHAMBER	3	
18	92064-022	JET-PILOT NO 30	3	
19	16034-001	WASHER MAIN JET	3	
20	92063-1033	MAIN JET, #A100	3	H1/A/C, STD
20	92063-1031	MAIN JET, #A95	3	H1-B, STD
20	92063-094	MAIN JET NO 87.5R	3	
20	92063-1029	MAIN JET, #A90R	3	
20	92063-068	MAIN JET NO 92.5R	3	
20	92063-1035	MAIN JET, #A97.5R	3	
20	92063-1028	MAIN JET, #A102.5	3	

20	92063-1042	MAIN JET, #A105R	3	
21	16031-023	FLOAT	3	H1/A/C
21	16031-023	FLOAT	3	H1-B
22	16033-009	SCREW FLOAT CHAMBER	12	
23	16002-017	ADJUSTER, CABLE	6	
24	16003-004	NUT CABLE ADJUST LOCK	6	
25	16004-006	CAP MIXING CHAMBER	3	
26	16005-016	TOP MIXING CHAMBER	3	
27	16036-005	CAP CABLE ADJUST RUBB	3	
28	16012-008	CAP STARTER PLUNGER	3	
29	16013-003	SPRING-PLUNGER	3	
30	16016-002	PLUNGER-ENRICHNER	3	
31	16032-003	FLOAT PIN	3	
32	16029-004	WASHER FLOAT VLV SEAT	3	
33	16030-005	FLOAT VALVE ASSY	3	

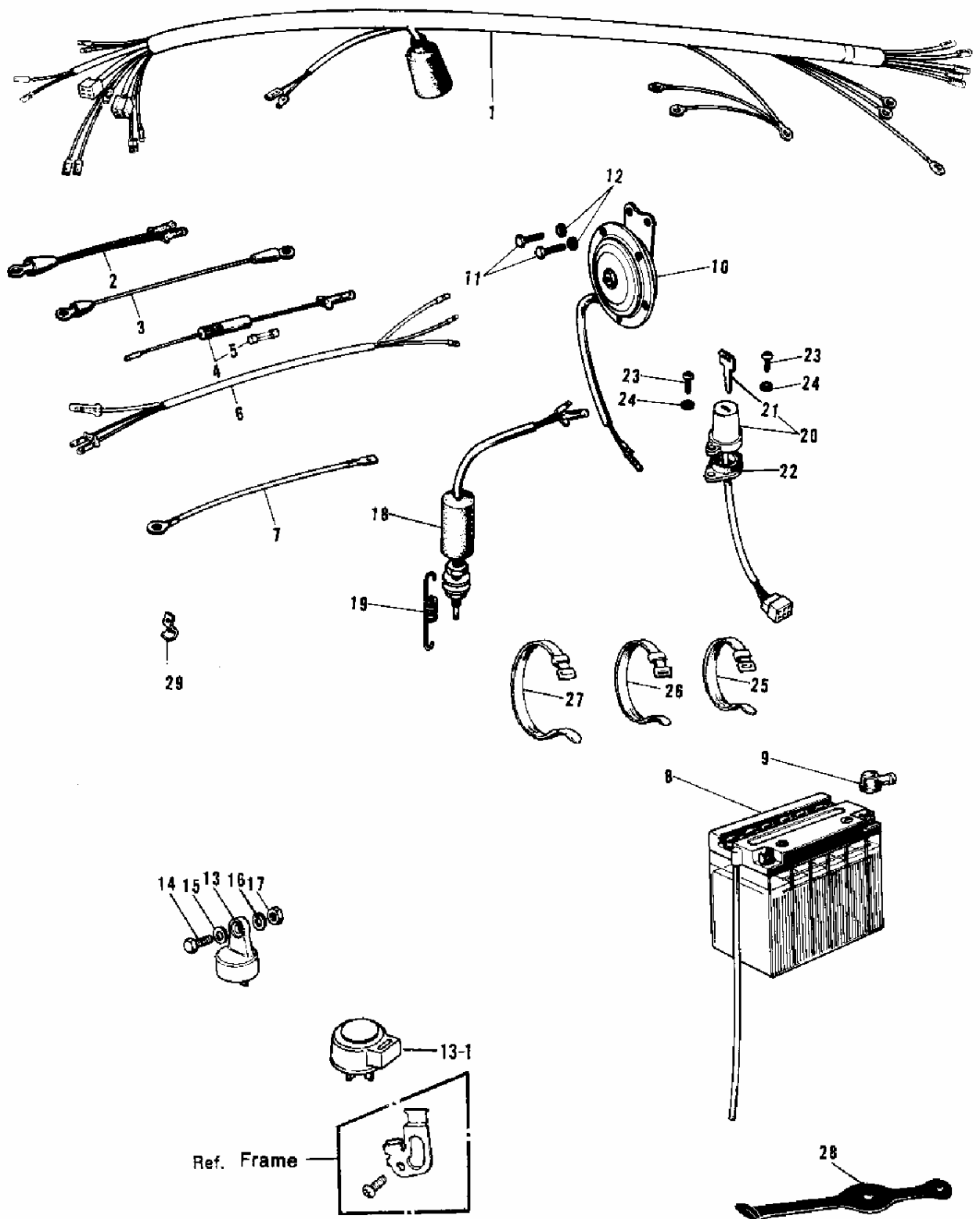
FRONT



CARBURETORS ('73-'75 D/E/F & '76 A8)

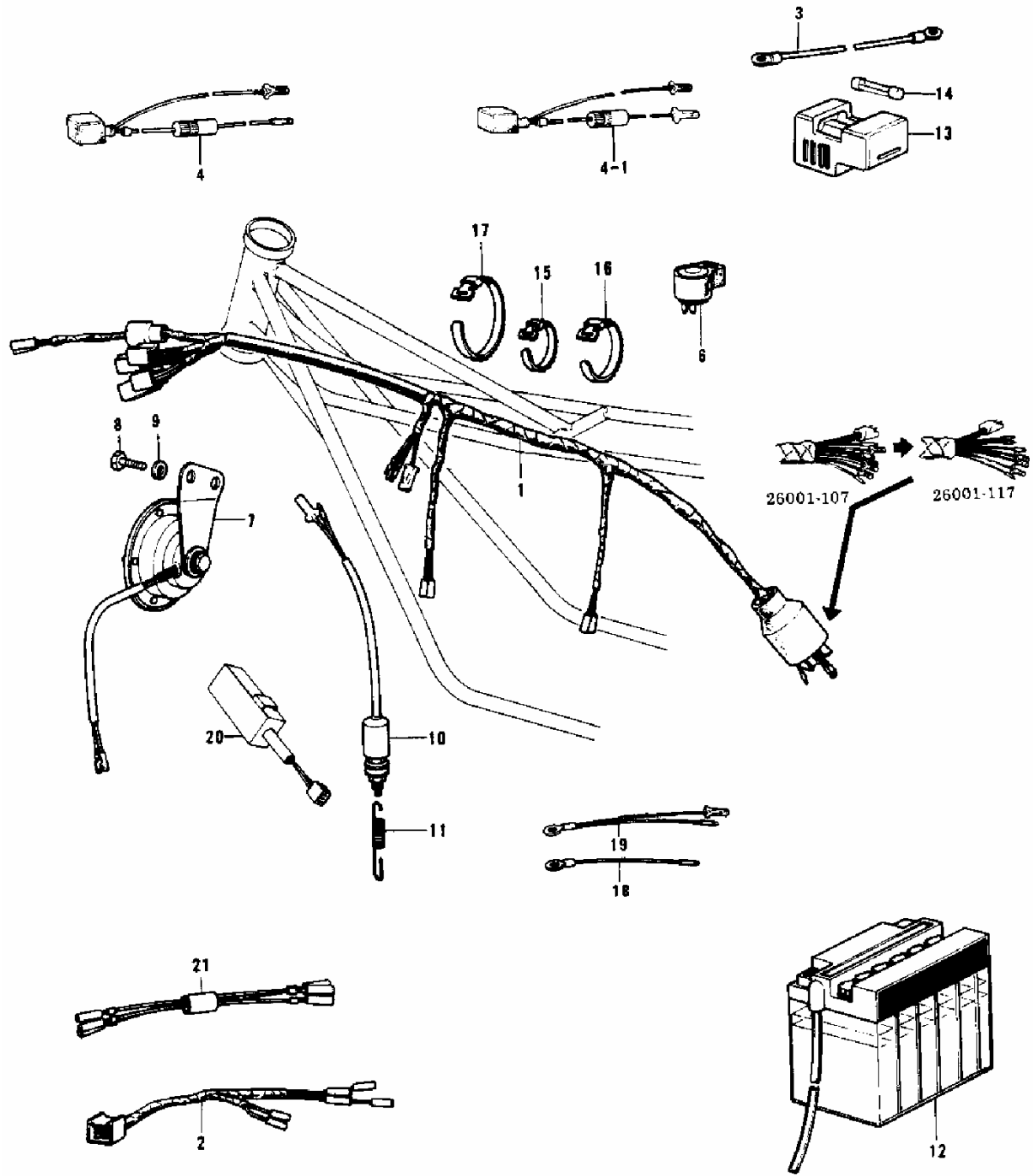
Ref #	Part #	Description	Qty	Spec Code
1	16001-165	CARBURETOR ASY, L.H&CN	2	H1-D/E/F
1	16001-276	CARBURETOR ASY, L-H&CN	2	KH500- A8
2	16001-166	CARBURETOR ASSY, R.H	1	H1-D/E/F
2	16001-257	CARBURETOR ASSY, R.H	1	KH500- A8
2	16001-277	CARBURETOR ASSY, R H	1	KH500- A8
3	16036-004	CAP CARBURETOR RUBBER	3	
4	550D1210	PIN COTTER 1.2X10	3	
5	16021-002	SCREW, THROTTLE STOP	3	
6	16022-005	SPRING THR STOP SCREW	3	
7	16006-012	SPRING THROTTLE VALVE	3	
8	16007-007	SPRING SEAT THRTL VLV	3	
9	16008-010	CIRCLIP	3	
10	16009-049	JET NEEDLE 5DJ19	3	
11	16024-005	ROD THROTTLE VLV STOP	3	
12	16025-048	VALVE-THROTTLE CA2.0	3	
13	16017-062	NEEDLE JET, 0-4	3	
14	16051-002	CLAMP SET CARB MOUNT	3	
15	16014-006	SCREW	3	
16	16022-007	SPRING-THR STOP SCREW	3	
17	16019-008	GASKET FLOAT CHAMBER	3	
18	92064-022	JET-PILOT NO 30	3	H1-D/E/F
18	92064-032	JET-PILOT NO 25	3	KH500- A8
19	16034-001	WASHER MAIN JET	3	
20	92063-068	MAIN JET NO 92.5R	3	H1-D/E/F, STD
20	92063-109	MAIN JET NO 75R	3	KH500- A8, STD
20	92063-094	MAIN JET NO 87.5R	3	H1-D/E/F
20	92063-1029	MAIN JET, #A90R	3	H1-D/E/F
20	92063-1031	MAIN JET, #A95	3	H1-D/E/F
20	92063-1035	MAIN JET, #A97.5R	3	H1-D/E/F
20	92063-1012	MAIN JET, #70R	3	KH500- A8
20	92063-108	MAIN JET NO 72.5R	3	KH500- A8
20	92063-1032	MAIN JET, #77.5R	3	KH500- A8
20	92063-1030	MAIN JET, #A80	3	KH500- A8
21	16031-023	FLOAT	3	

22	16033-009	SCREW FLOAT CHAMBER	12
23	16002-017	ADJUSTER, CABLE	6
24	16003-004	NUT CABLE ADJUST LOCK	6
25	16004-006	CAP MIXING CHAMBER	3
26	16005-016	TOP MIXING CHAMBER	3
27	16036-005	CAP CABLE ADJUST RUBB	3
28	16012-008	CAP STARTER PLUNGER	3
29	16013-003	SPRING-PLUNGER	3
30	16016-002	PLUNGER-ENRICHNER	3
31	16032-003	FLOAT PIN	3
32	16029-004	WASHER FLOAT VLV SEAT	3
33	16030-005	FLOAT VALVE ASSY	3



CHASSIS ELECTRICAL EQUIPMENT (H1-B)

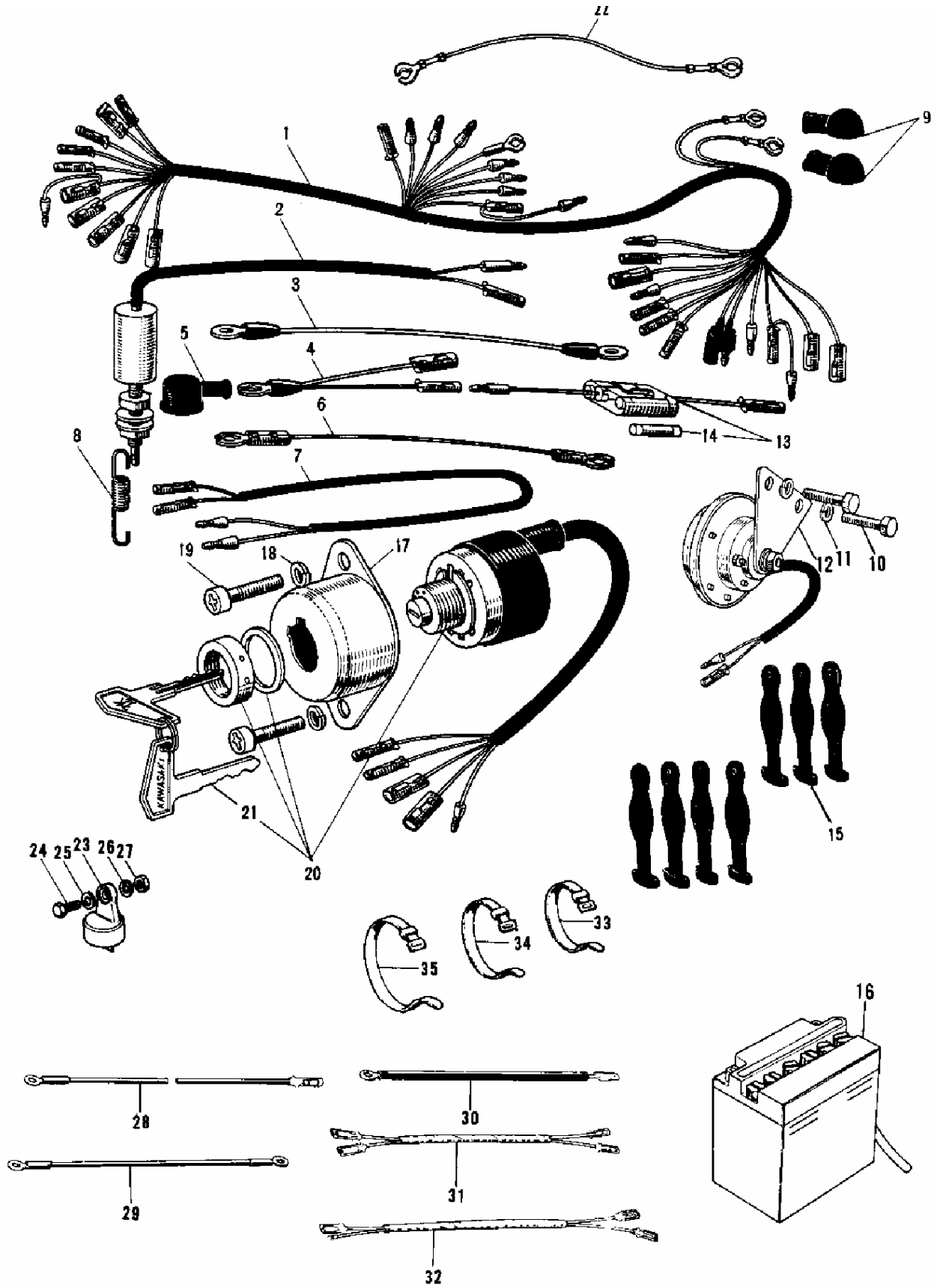
Ref #	Part #	Description	Qty	Spec Code
1	26001-065	WIRING HARNESS -MAIN	1	
2	26010-015	WIRE BATTERY LEAD	1	
3	26010-017	WIRE BATTERY GROUND	1	
4	26004-010	FUSE ASSY	1	
4	26004-015	FUSE ASSY	1	
5	26006-002	FUSE 20A	1	
6	26002-030	WIRING HARNESS -REAR	1	
7	26011-047	WIRE-READ	1	
8	26012-017	YUA BAT 12N9-4B-1	1	12N9-4B-1
9	92073-001	CAP BAT TERMINAL RUBB	1	
10	27003-042	HORN	1	
10	27003-066	HORN	AL	
11	115G0820	BOLT, 8X20	2	
12	461F0800	WASHER SPRING 8MM	2	
13	27002-012	RELAY-TURN SIGNAL	1	
13-1	27002-011	RELAY-TURN SIGNAL	AL	FOR BRACKET, REF. FRAME
14	112B0614	BOLT-UPSET 6X14	1	USE WITH 27002-012
15	92022-125	WASHER 6.5X20X1.6T	1	USE WITH 27002-012
16	461F0600	WASHER SPRING 6MM	1	USE WITH 27002-012
17	311B0600	NUT 6MM	1	USE WITH 27002-012
18	27010-020	SWITCH-BRAKE LAMP	1	
19	27011-013	SPRING-BRAKE LAMP SW	1	
20	27005-1058	SWITCH-ASSY-IGNITION	1	
21	27008-042-01	KEY SET #701	AR	
21	27008-042-05	KEY SET #705	AR	
21	27008-042-85	KEY SET #685	AR	
21	27008-042-89	KEY SET #689	AR	
22	92075-077	DAMPER RUBBER	1	
23	92007-026	BOLT-HEX HEAD, 6MM	2	
24	410B0800	WASHER PLAIN 8MM	2	
25	92072-030	BAND, SHORT	6	
26	92072-031	BAND, MIDDLE	2	
27	92072-032	BAND, LONG	3	
28	92072-018	BAND RUBBER	1	
29	92037-020	CLAMP CABLE	1	
19				



1045-2

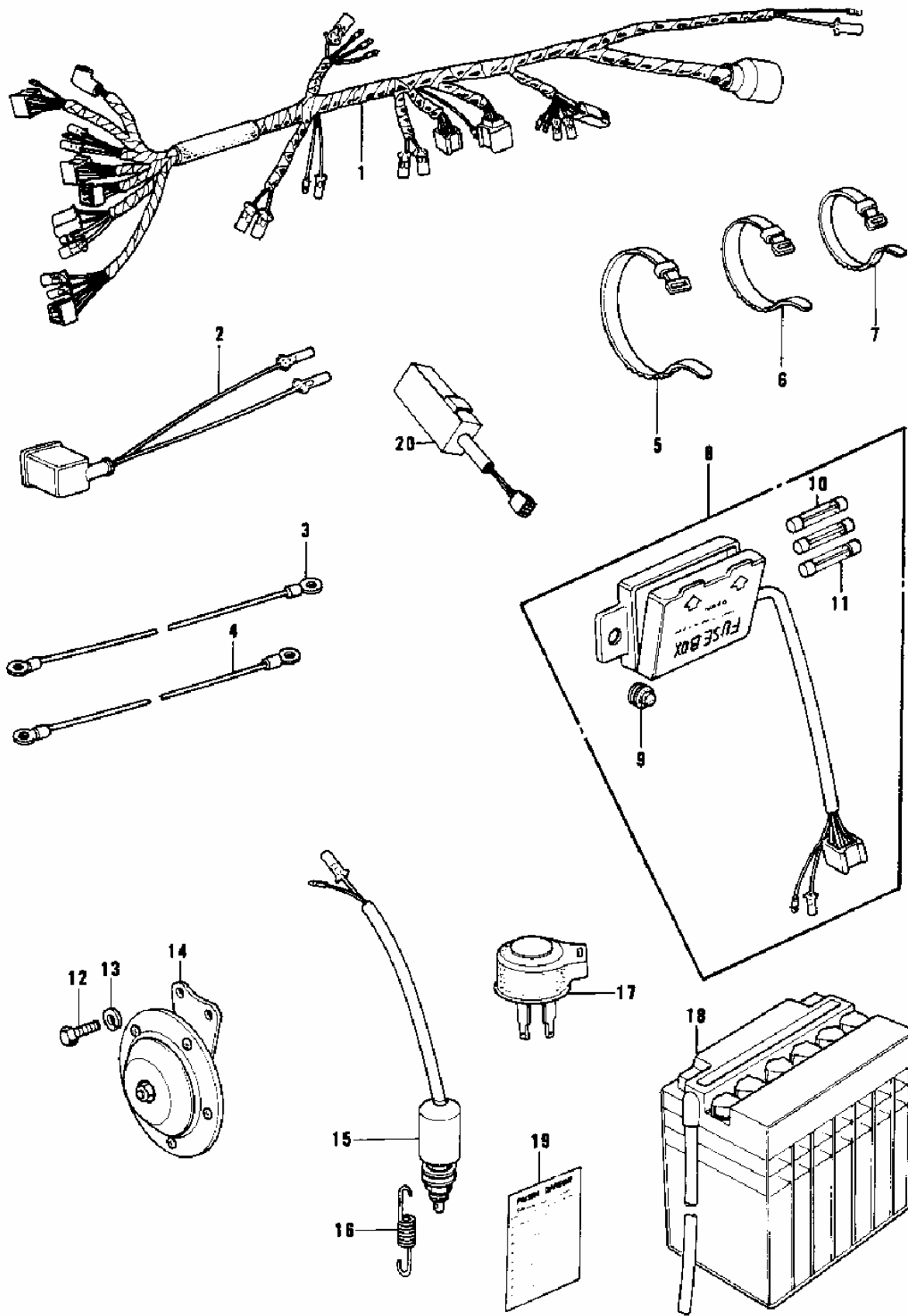
CHASSIS ELECTRICAL EQUIPMENT (H1-D/E/F)

Ref #	Part #	Description	Qty	Spec Code
1	26001-095	WIRING HARNESS, MAIN	1	H1-D
1	26001-107	WIRING HARNESS, MAIN	1	H1-E
1	26001-117	WIRING HARNESS, MAIN	1	H1-E/F
2	26002-039	WIRING HARNESS, REAR	1	
3	26010-023	WIRE-GROUND LEAD	1	
4	26004-016	FUSE ASSY	1	H1-D/E, USE FOR 26001-095/107
4-1	26004-023	FUSE ASSY	1	H1-E/F, USE FOR 26001-117
5	26006-005	FUSE-20A	1	
6	27002-011	RELAY-TURN SIGNAL	1	
7	27003-043	HORN	1	H1-D
7	27003-047	HORN	1	H1-E/F
8	115G0820	BOLT, 8X20	2	H1-D
8	115G0816	BOLT-SMALL-UPSET, 8X16	2	H1-E/F
9	461F0800	WASHER SPRING 8MM	2	
10	27010-020	SWITCH-BRAKE LAMP	1	
10	27010-025	SWITCH, BRAKE LIGHT	1	H1-F
11	27011-013	SPRING-BRAKE LAMP SW	1	H1-D/E
11	27011-017	SPRING, BRAKE LAMP SN	1	H1-F
12	26012-039	YUA BAT 12N9-3B	1	12N9-3B
13	26016-003	HOLDER, SPARE FUSE	1	
14	26006-005	FUSE-20A	2	
15	92072-030	BAND, SHORT	4	
16	92072-031	BAND, MIDDLE	4	
17	92072-056	BAND, WIRING HARNESS	5	
18	26011-080	WIRE, LEAD	1	USE FOR 26001-117
19	26011-079	WIRE, LEAD	1	USE FOR 26001-095/107
20	28019-001	SWITCH, OUTAGE, INDICTR	1	H1-E/F
21	26011-067	WIRE, IGNITION SW LEAD	1	H1-D



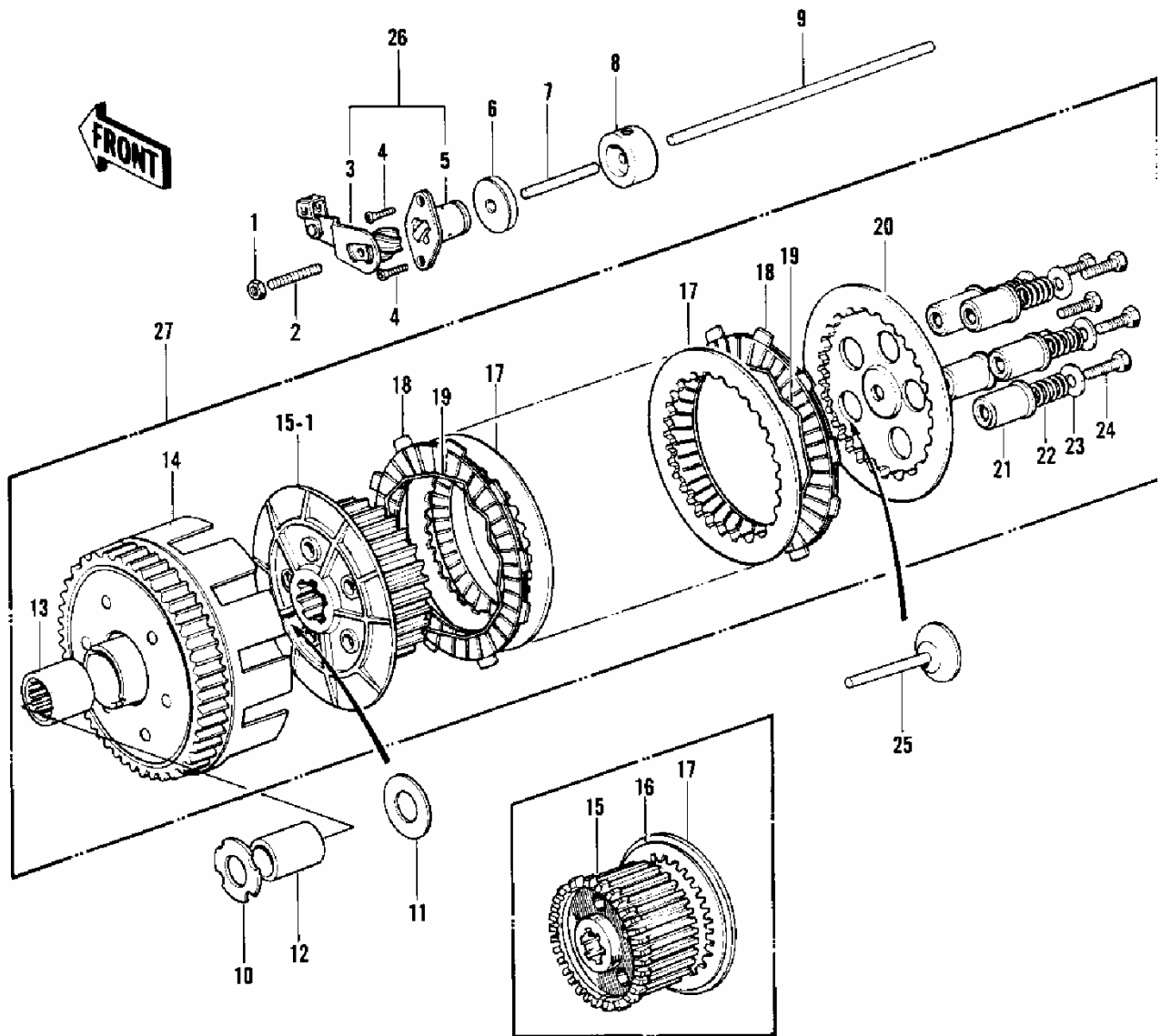
CHASSIS ELECTRICAL EQUIPMENT (H1/A/C)

Ref #	Part #	Description	Qty	Spec Code
1	26001-031	WIRING HARNESS MAIN	1	
2	27010-006	SWITCH BRAKE LAMP	1	
3	26010-014	WIRE BATTERY GROUND	1	
4	26010-015	WIRE BATTERY LEAD	1	
5	92073-001	CAP BAT TERMINAL RUBB	1	
6	26011-025	WIRE GROUND	1	
7	26002-007	WIRING HARNESS REAR	1	
8	27011-009	SPRING BRAKE LAMP SW	1	
9	92073-003	CAP IGNITION COIL	2	
10	115G0820	BOLT, 8X20	2	
11	461F0800	WASHER SPRING 8MM	2	
12	27003-014	HORN	1	
13	26004-005	FUSE ASSY	1	
14	26006-002	FUSE 20A	2	
15	92072-013	BAND RUBBER	7	H1/A
16	26012-017	YUA BAT 12N9-4B-1	1	12N9-4B-1
17	27009-005	HOUSING IGNITION SW	1	
18	461F0600	WASHER SPRING 6MM	2	
19	220B0612	SCREW PAN HEAD 6X12	2	
20	27005-021	SWITCH ASSY IGNITION	1	
21	27008-027-69	KEY SET NO.669	AR	
21	27008-027-76	KEY SET NO.676	AR	
22	26011-038	WIRE LEAD	1	H1-C
23	27002-012	RELAY-TURN SIGNAL	1	H1-C
24	112B0614	BOLT-UPSET 6X14	1	H1-C
25	461F0600	WASHER SPRING 6MM	1	H1-C
26	92022-125	WASHER 6.5X20X1.6T	1	H1-C
27	311B0600	NUT 6MM	1	H1-C
28	26010-016	WIRE BATTERY LEAD	1	H1-C
29	26010-017	WIRE BATTERY GROUND	1	H1-C
30	26011-047	WIRE-READ	1	H1-C
31	26011-057	WIRE-LEAD	1	H1-C
32	26011-058	WIRE-LEAD	1	H1-C
33	92072-030	BAND, SHORT	5	H1-C
34	92072-031	BAND, MIDDLE	1	H1-C
35	92072-032	BAND, LONG	1	H1-C



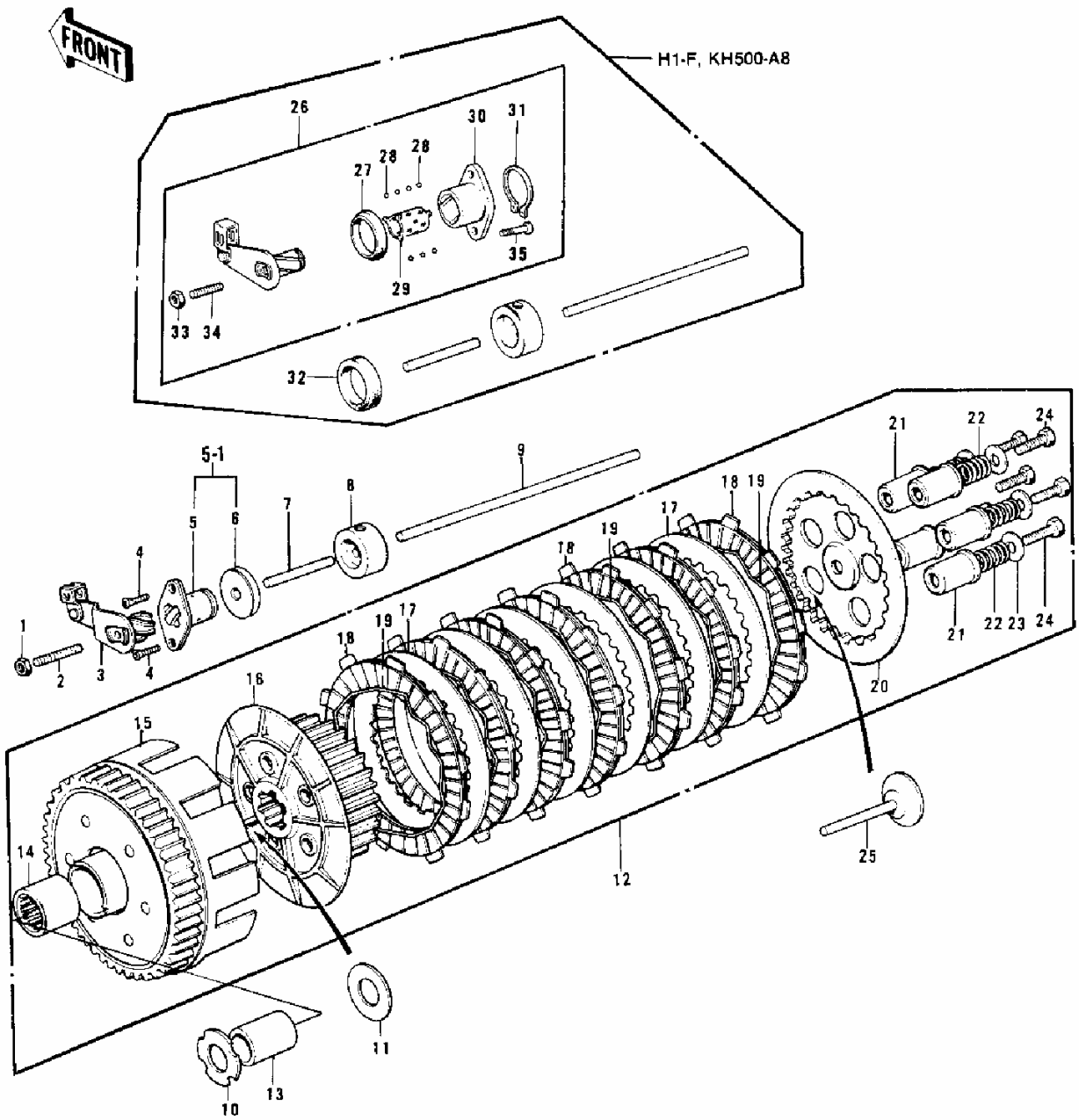
CHASSIS ELECTRICAL EQUIPMENT (KH500-A8)

Ref #	Part #	Description	Qty	Spec Code
1	26001-131	WIRING HARNESS, MAIN	1	
2	26011-092	WIRE, LEAD	1	
3	26010-023	WIRE-GROUND LEAD	1	
4	26011-084	WIRE-LEAD	1	
5	92072-056	BAND, WIRING HARNESS	5	
6	92072-031	BAND, MIDDLE	5	
7	92072-030	BAND, SHORT	4	
8	26004-035	FUSE ASSY	1	
9	92075-279	DAMPER RUBBER, FUSE	1	
10	26006-005	FUSE-20A	3	
11	26006-003	FUSE 10A	2	
12	115G0818	BOLT-SMALL-UPSET, 8X18	2	
13	461F0800	WASHER SPRING 8MM	2	
14	27003-047	HORN	1	
15	27010-015	SWITCH-BRAKE LAMP	1	
16	27011-017	SPRING, BRAKE LAMP SN	1	
17	27002-011	RELAY-TURN SIGNAL	1	
18	26012-039	YUA BAT 12N9-3B	1	12N9-3B
19	56040-1036	LABEL-WARNING, BATTERY	1	
20	28019-001	SWITCH, OUTAGE,INDICTR	1	



CLUTCH ('69-'72 H1/A/B/C)

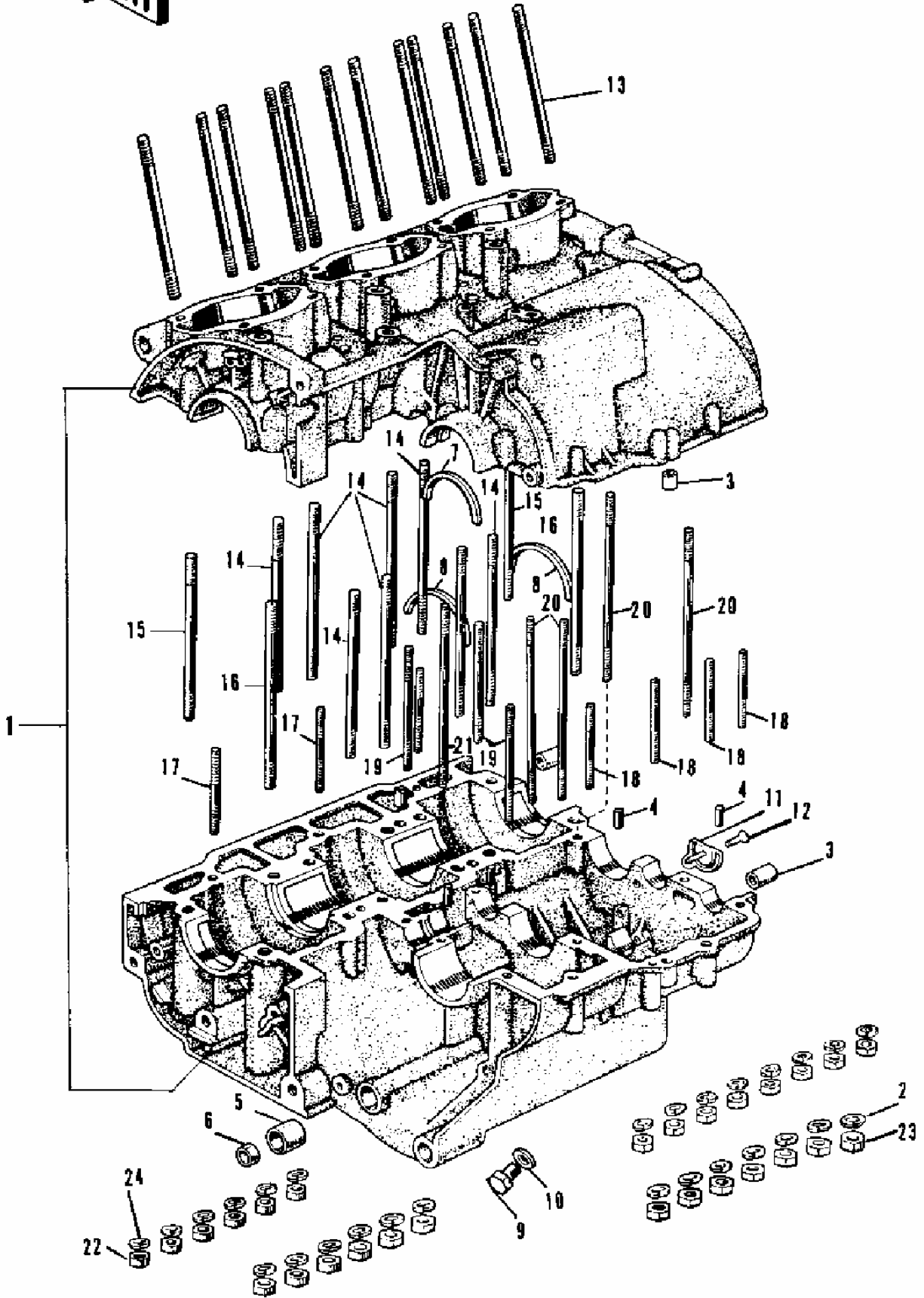
Ref #	Part #	Description	Qty	Spec Code
1	311B0600	NUT 6MM	1	
2	291Z0622	SCREW SLOTTED	1	
3	13102-017	INNER, CLUTCH RELEASE	1	
4	221B0616	SCREW CNTSNK HD 6X16	2	
5	13118-008	OUTER, CLUTCH RELEASE	1	
6	92050-025	OIL SEAL SC7317	1	
7	13116-010	ROD CLUTCH PUSH SHORT	1	
8	92028-070	BUSH CLUTCH PUSH ROD	1	
9	13116-009	ROD CLUTCH PUSH LONG	1	
10	92022-119	WASHER THRUST	1	
11	92026-022	WASHER TH 25.5X47X2.5	1	
12	92028-081	BUSHING 25X30X34L	1	
13	92046-004	BEARING NEEDLE	1	
14	13095-018	HOUSING CLUTCH	1	INCLUDES REF. #13
15	13087-030	HUB-CLUTCH	1	H1/A
15-1	13087-030	HUB-CLUTCH	1	H1-B/C
16	13090-011	PLATE CLUTCH OUTER	1	NOT REQ'D 13087-03
17	13089-013	PLATE CLUTCH STEEL	8	USE WITH 13087-02
17	13089-013	PLATE CLUTCH STEEL	6	USE WITH 13087-03
18	13088-015	PLATE CLUTCH FRICTION	7	
18	13088-1008	PLATE CLUTCH FRICTION	7	
19	13229-003	RING-CLUTCH STEEL	7	
20	13187-005	PLATE-CLUTCH SPRING	1	
21	13092-005	GUIDE CLUTCH SPRING	5	
22	92081-042	SPRING CLUTCH	5	
23	13091-009	HOLDER CL SPG6.5X20X2	5	
24	112G0618	BOLT-UPSET	5	
25	13116-011	PUSHER-CLTCH SPRG PLT	1	
26	13231-010	RELEASE ASSY, CLUTCH	1	
27	13081-071	CLUTCH-ASSY	1	NO LONGER AVAILABLE
27	13081-071	CLUTCH-ASSY	1	



CLUTCH ('73-'75 D/E/F & '76 A8)

Ref #	Part #	Description	Qty	Spec Code
1	311B0600	NUT 6MM	1	H1-D/E
2	291Z0625	SCREW SLOTTED	1	H1-D/E
3	13102-017	INNER, CLUTCH RELEASE	1	H1-D/E
4	221B0616	SCREW CNTSNK HD 6X16	2	H1-D/E
5	13118-008	OUTER, CLUTCH RELEASE	1	H1-D/E
5-1	13231-010	RELEASE ASSY, CLUTCH	1	H1-D/E
6	92050-025	OIL SEAL SC7317	1	H1-D/E
7	13116-010	ROD CLUTCH PUSH SHORT	1	L=49 MM
8	92028-070	BUSH CLUTCH PUSH ROD	1	
9	13116-009	ROD CLUTCH PUSH LONG	1	L=167.5 MM
10	92022-119	WASHER THRUST	1	
11	92026-022	WASHER TH 25.5X47X2.5	1	
12	13081-071	CLUTCH-ASSY	1	H1-D
12	13081-071	CLUTCH-ASSY	1	H1-E/F, KH500-A8
13	92028-081	BUSHING 25X30X34L	1	
14	92046-004	BEARING NEEDLE	1	
15	13095-018	HOUSING CLUTCH	1	
16	13087-030	HUB-CLUTCH	1	
17	13089-013	PLATE CLUTCH STEEL	6	
18	13088-015	PLATE CLUTCH FRICTION	7	H1-D
18	13088-015	PLATE CLUTCH FRICTION	7	H1-E
18	13088-1008	PLATE, CLUTCH FRICTION	7	H1-F, KH500-A8
19	13229-003	RING-CLUTCH STEEL	7	
20	13187-005	PLATE-CLUTCH SPRING	1	
21	13092-005	GUIDE CLUTCH SPRING	5	
22	92081-042	SPRING CLUTCH	5	
23	13091-009	HOLDER CL SPG6.5X20X2	5	
24	112G0618	BOLT-UPSET	5	
25	13116-011	PUSHER-CLTCH SPRG PLT	1	
26	13231-1001	RELEASE ASSY, CLUTCH	1	H1-F, KH500-A8
27	92056-007	OIL SEAL	1	H1-F, KH500-A8
28	600A0400	BALL, STEEL, 1/8"	11	H1-F, KH500-A8
29	13197-006	RETAINER	1	H1-F, KH500-A8
30	13118-015	OUTER, CLUTCH RELEASE 1		H1-F, KH500-A8
31	480J1500	CIRCLIP 15MM	1	H1-F, KH500-A8
32	92050-070	OIL SEAL	1	H1-F, KH500-A8
33	311B0600	NUT 6MM	1	H1-F, KH500-A8
34	291Z0625	SCREW SLOTTED	1	H1-F, KH500-A8
35	220B0616	SCREW PAN HEAD 6X16	2	H1-F, KH500-A8
29				

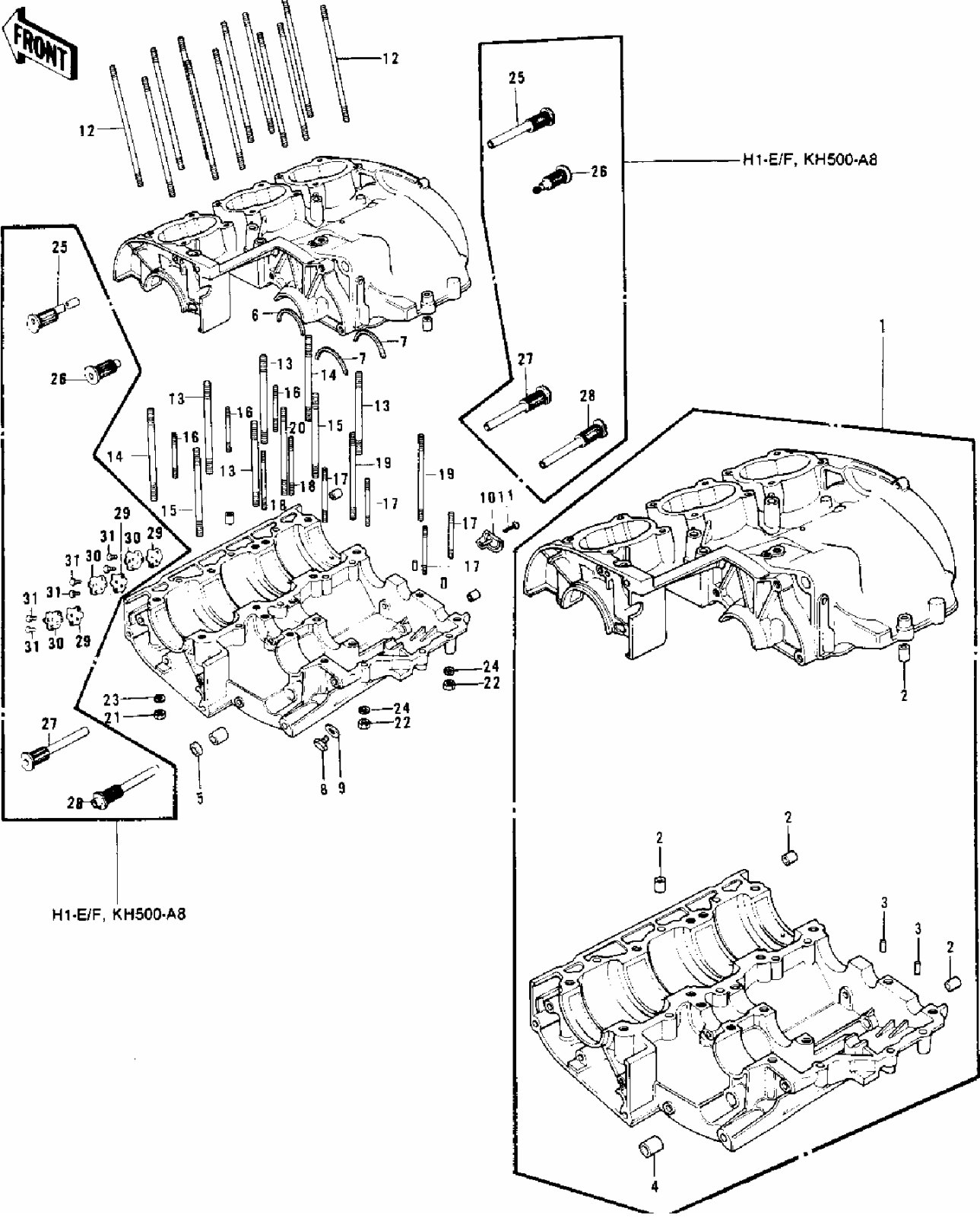
FRONT



CRANKCASE ('69-'72 H1/A/B/C)

Ref #	Part #	Description	Qty	Spec Code
1	14001-030	CRANKCASE SET	1	INCLUDES REF. #S 3-5
2	461F0600	WASHER SPRING 6MM	15	
3	92043-1037	PIN, DOWEL, 10X8.2X14	4	
4	92042-016	PIN DOWEL 6MM	4	
5	92028-071	BUSH CHANGE PEDAL SHT	1	
6	92049-004	OIL SEAL SB12205	1	
7	14013-1004	RING, POSITION	1	
8	14013-004	RING BEARING SETTING	2	
9	92067-001	PLUG OIL DRAIN	1	
10	92065-058	GASKET CHECK VALVE	1	
11	14015-001	RECEIVER OIL	1	
12	221B0616	SCREW CNTSNK HD 6X16	1	
13	172G0875	STUD 8X75	12	
14	172G1060	STUD 10X60	8	
15	172G1075	STUD 10X75	2	
16	172G1090	STUD 10X90	2	
17	172G0620	STUD 6X20	1	H1/A
17	172G0622	STUD 6X22	3	H1-B/C
18	172G0635	STUD 6X35	4	
19	172G0650	STUD 6X50	3	
20	172G0675	STUD 6X75	4	
21	172G0685	STUD 6X85	1	
22	317B1000	NUT, 10MM	12	
23	311B0600	NUT 6MM	15	
24	461F1000	WASHER SPRING 10MM	12	

FRONT

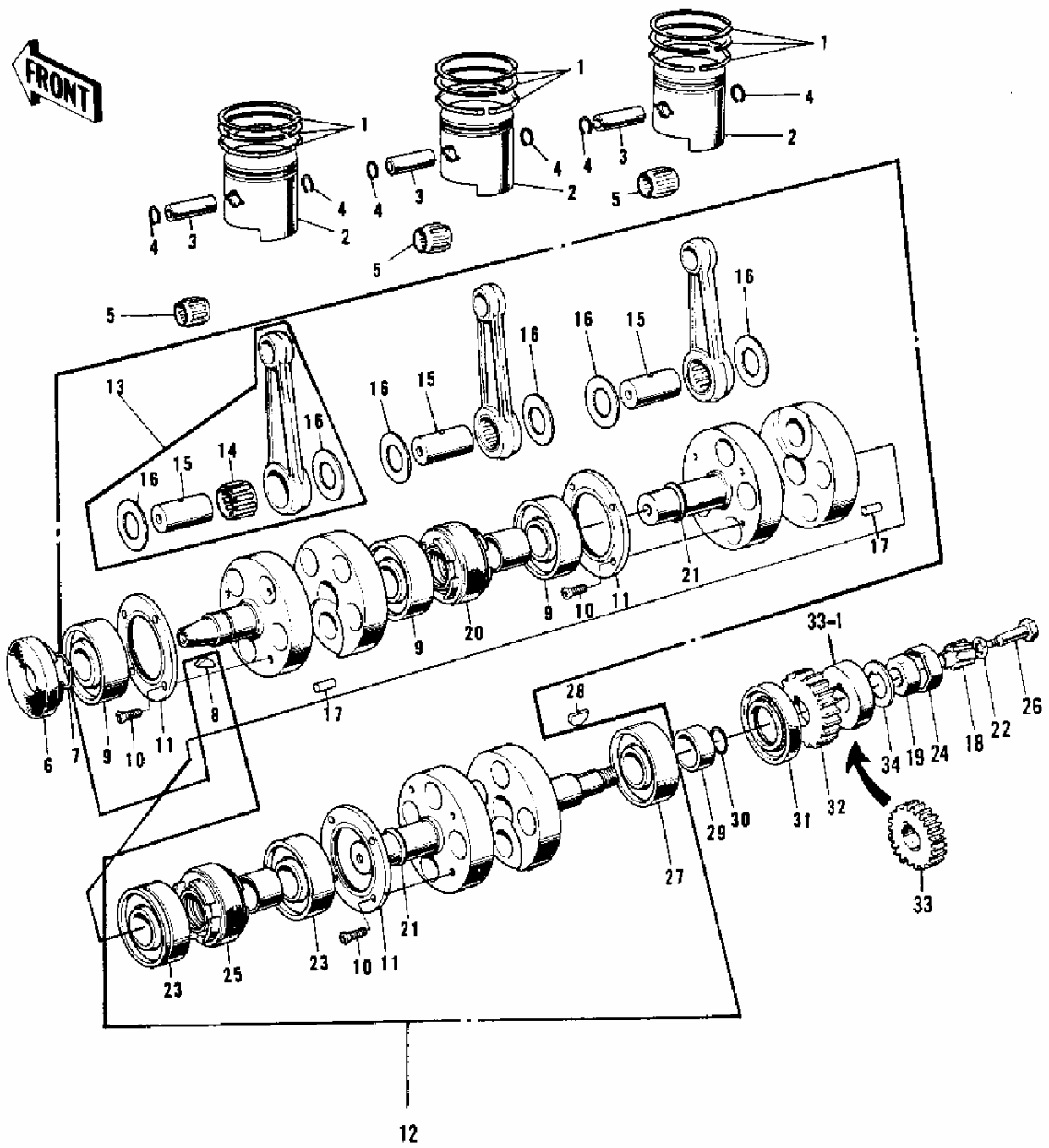


H1-E/F, KH500-A8

CRANKCASE ('73-'75 D/E/F & '76 A8)

Ref #	Part #	Description	Qty	Spec Code
1	14001-030	CRANKCASE SET	1	H1-D
1	14001-5004	CRANKCASE SET	1	H1-E/F
1	14001-078	CRANKCASE ASSY	1	KH500- A8
2	92043-1037	PIN, DOWEL, 10X8.2X14	4	
3	92042-016	PIN DOWEL 6MM	4	
4	92028-071	BUSH CHANGE PEDAL SHT	1	
5	92049-004	OIL SEAL SB12205	1	
6	14013-1004	RING, POSITION	1	
7	14013-004	RING BEARING SETTING	2	
8	92067-001	PLUG OIL DRAIN	1	
9	92065-058	GASKET CHECK VALVE	1	
10	14015-001	RECEIVER OIL	1	
11	221B0616	SCREW CNTSNK HD 6X16	1	
12	172G0875	STUD 8X75	12	
13	172G1060	STUD 10X60	8	
14	172G1075	STUD 10X75	2	
15	172G1090	STUD 10X90	2	
16	172G0622	STUD 6X22	3	H1-D
16	172G0620	STUD 6X20	3	H1-E/F, KH500-A8
17	172G0635	STUD 6X35	4	
18	172G0650	STUD 6X50	3	
19	172G0675	STUD 6X75	4	
20	172G0685	STUD 6X85	1	
21	317B1000	NUT, 10MM	12	
22	311B0600	NUT 6MM	15	
23	461F1000	WASHER SPRING 10MM	12	
24	461F0600	WASHER SPRING 6MM	15	
25	14017-012	ABSORBER,FRONT UPPER	2	H1-E/F, KH500-A8
26	14017-013	ABSORBER,REAR UPPER	2	H1-E/F, KH500-A8
27	14017-010	ABSORBER, FRONT LOWER	2	H1-E/F, KH500-A8
28	14017-011	ABSORBER, REAR LOWER	2	H1-E/F, KH500-A8
29	14051-003	GASKET, CHECK VALVE	3	H1-E/F, KH500-A8
30	16128-008	VALVE, CHECK	3	H1-E/F, KH500-A8
31	220B0620	SCREW PAN HEAD 6X20	6	H1-E/F, KH500-A8
33				

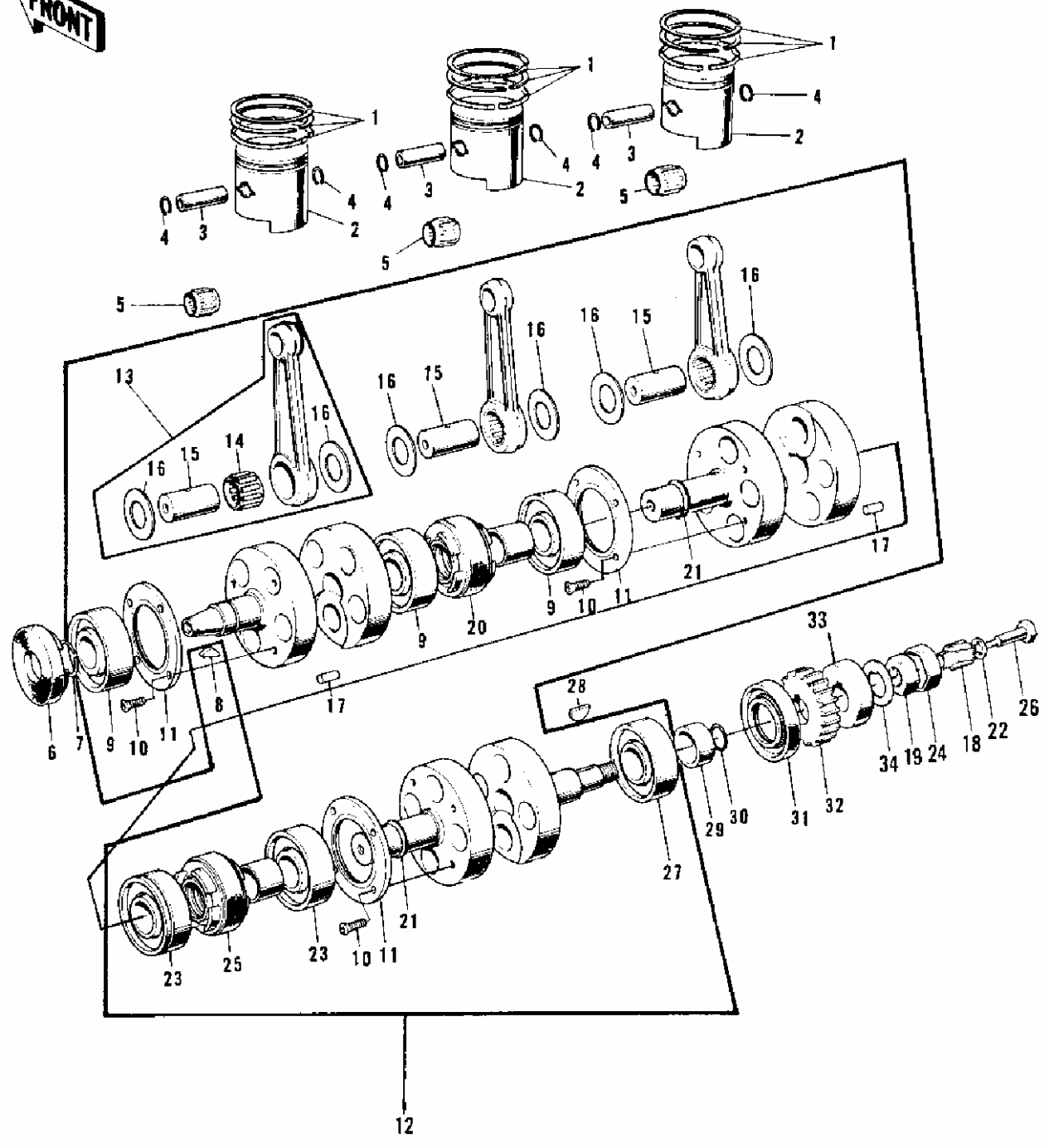
FRONT



CRANKSHAFT/PISTONS ('69-72 H1/A/B/C)

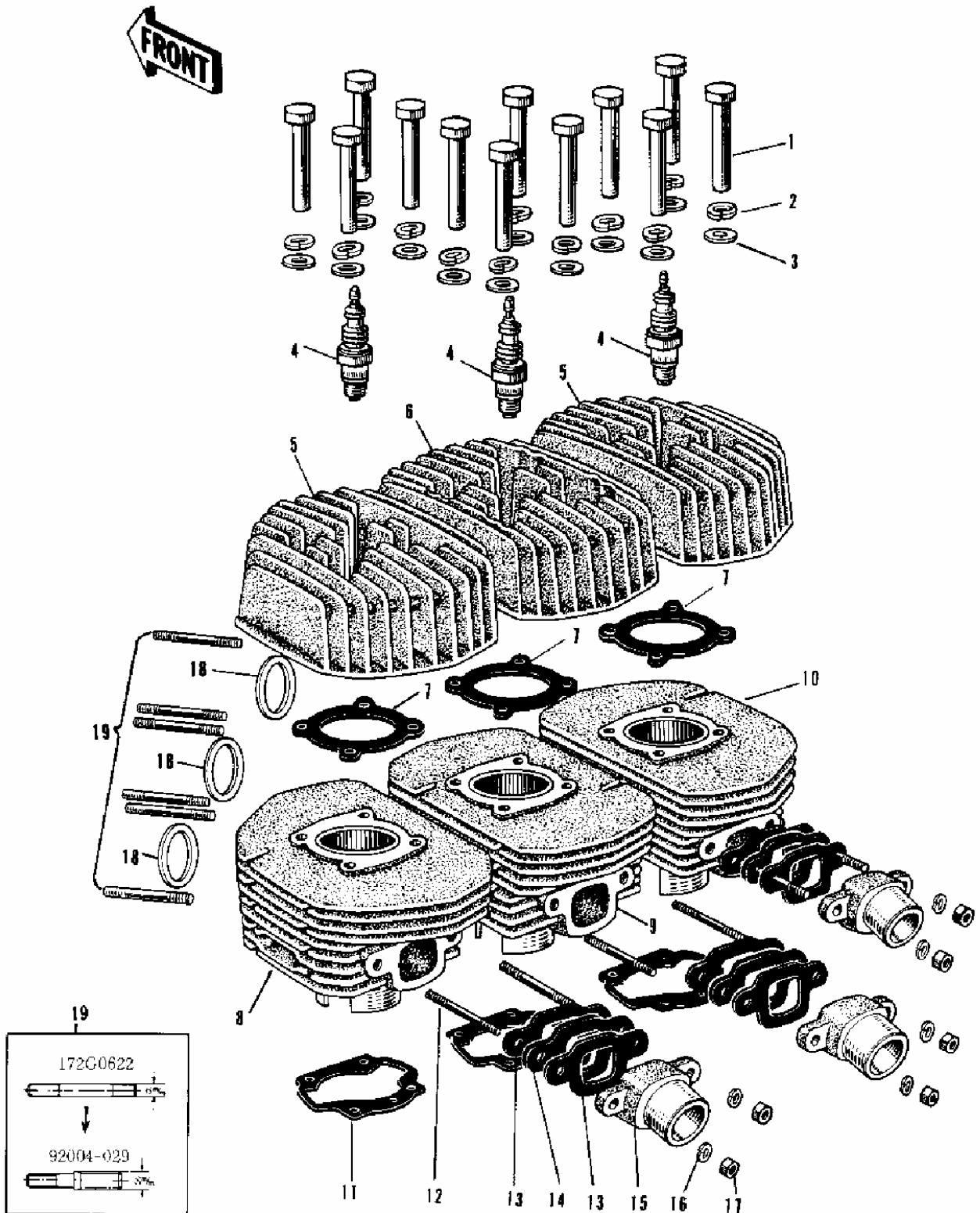
Ref #	Part #	Description	Qty	Spec Code
1	13008-041	RING SET, STD	3	
1	13025-044	RING SET, 0.020" O.S	3	
1	13024-048	RING SET, 0.040" O.S	3	
2	13001-031	PISTON STD	3	
2	13029-031	PISTON 0.020' O.S	3	
2	13027-031	PISTON 0.040' O.S	3	
3	13002-010	PIN-PISTON	3	
4	92036-004	CIRCLIP PISTON PIN	6	
5	92046-1038	BEARING-NEEDLE	3	
6	92050-051	OIL SEAL, TC255210	1	TC 255210
7	92036-013	CIRCLIP	1	
8	92038-001	WOODRUFF KEY	1	
9	601B6205	BEARING BALL #6205	3	
10	92012-001	SCREW CNTRSNK HD 5X10	12	
11	13045-010	OIL RECEIVER, CRANKSFT	3	
12	13031-049	CRANK&CONROD ASSY	1	
13	13044-034	CONNECTING ROD SET	3	
14	13034-010	NEEDLE BEARING BG END	3	
15	13035-017	CRANK PIN	3	
16	92026-024	WASHER SIDE	6	
17	610A0512	PIN DOWEL 5X12	2	
18	16084-010	PINION OIL PUMP	1	
19	92015-019	NUT 18MM	1	
20	92054-017	OIL SEAL, Y325222.5	1	Y3252225
21	92026-066	SPACER	2	
22	463H0600	WASHER LOCK 6MM	1	
23	92045-020	BALL BEARING 6305N	2	
24	92024-021	WASHER LOCK	1	
25	92054-018	OIL SEAL, Y326219	1	Y326219
26	92001-060	BOLT OIL PUMP PINION	1	
27	601B6305	BEARING BALL #6305	2	
28	510A5200	WOODRUFF KEY	1	
29	92027-031	COLLAR CRANK OIL SEAL	1	
30	92055-018	"0" RING, 22MM	1	
31	92050-052	OIL SEAL, TC326210	1	TC 326210
32	13121-013	PINION-PRIMARY	1	
33	21146-001	PINION DISTRIBUTOR	1	H1/A/C
33-1	92027-091	COLLAR	1	H1-B
34	92024-015	WASHER LOCK 18MM	1	
35				

FRONT



CRANKSHAFT/PISTONS ('73-'75 D/E/F & '76 KH500-A8)

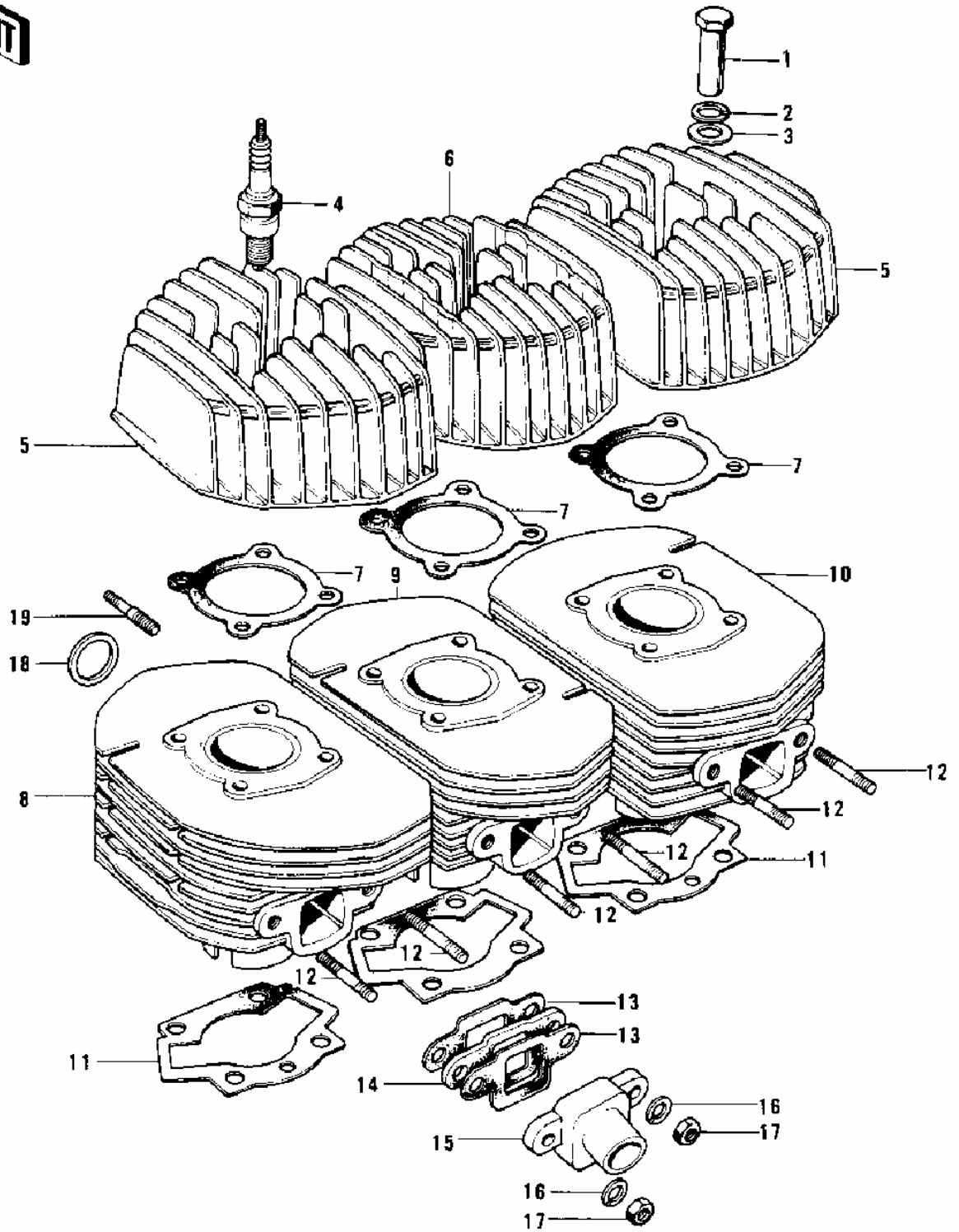
Ref #	Part #	Description	Qty	Spec Code
1	13008-041	RING SET, STD	3	
1	13025-044	RING SET, 0.020" O.S	3	
1	13024-048	RING SET, 0.040" O.S	3	
2	13001-031	PISTON STD	3	
2	13029-031	PISTON 0.020' O.S	3	
2	13027-031	PISTON 0.040' O.S	3	
3	13002-010	PIN-PISTON	3	
4	92036-004	CIRCLIP PISTON PIN	6	
5	92046-1038	BEARING-NEEDLE	3	
6	92050-051	OIL SEAL, TC255210	1	TC 255210
7	92036-013	CIRCLIP	1	
8	92038-001	WOODRUFF KEY	1	
9	601B6205	BEARING BALL #6205	3	
10	92012-001	SCREW CNTRSNK HD 5X10	12	
11	13045-010	OIL RECEIVER,CRANKSFT	3	
12	13031-049	CRANK&CONROD ASSY	1	
13	13044-034	CONNECTING ROD SET	3	
14	13034-010	NEEDLE BEARING BG END	3	
15	13035-017	CRANK PIN	3	
16	92026-024	WASHER SIDE	6	
17	610A0512	PIN DOWEL 5X12	2	
18	16084-010	PINION OIL PUMP	1	
19	92015-019	NUT 18MM	1	
20	92054-017	OIL SEAL, Y325222.5	1	Y325222.5
21	92026-066	SPACER	2	
22	463H0600	WASHER LOCK 6MM	1	
23	92045-020	BALL BEARING 6305N	2	
24	92024-021	WASHER LOCK	1	
25	92054-018	OIL SEAL, Y326219	1	Y326219
26	92001-060	BOLT OIL PUMP PINION	1	
27	601B6305	BEARING BALL #6305	2	
28	510A5200	WOODRUFF KEY	1	
29	92027-031	COLLAR CRANK OIL SEAL	1	
30	92055-018	"0" RING, 22MM	1	
31	92050-052	OIL SEAL, TC326210	1	TC 326210
32	13121-013	PINION-PRIMARY	1	
33	92027-091	COLLAR	1	
34	92024-015	WASHER LOCK 18MM	1	



CYLINDER HEADS/CYLINDERS ('69-'72 H1/A/B

Ref #	Part #	Description	Qty	Spec Code
1	92015-020	NUT 8MM	12	
2	461F1200	WASHER SPRING 12MM	12	
3	92022-072	WASHER PLAIN 12MM	12	
4	92070-016	UNAVAILABLE		H1 A/C
4	B9HS1	SPARK PLUG B9HS1	3	H1 B
5	11001-064-80	CYLINDER HEAD, L.H&R.H	2	
5	11001-098-2H	CYLINDER HEAD, L.H&R.H	2	
6	11001-065	CYLINDER HEAD, CENTER	1	
6	11001-099-2H	CYLINDER HEAD, CENTER	1	
7	11004-048	GASKET -CYLINDER HEAD	3	
8	11005-050	CYLINDER	1	
9	11005-051	CYLINDER	1	
10	11005-052	CYLINDER	1	
11	11009-019	GASKET CYLINDER BASE	3	
12	172G0820	STUD 8X20	6	
13	16062-011	GASKET AIR INLET	6	
14	16061-010	INSULATOR HEAT	3	
15	16060-009	INLET PIPE	3	
16	461F0800	WASHER SPRING 8MM	6	
17	311B0800	NUT, 8MM	6	
18	18067-008	GASKET EXHAUST PIPE	3	
19	172G0622	STUD 6X22	6	
19	92004-029	STUD	6	SELECTIVE USE

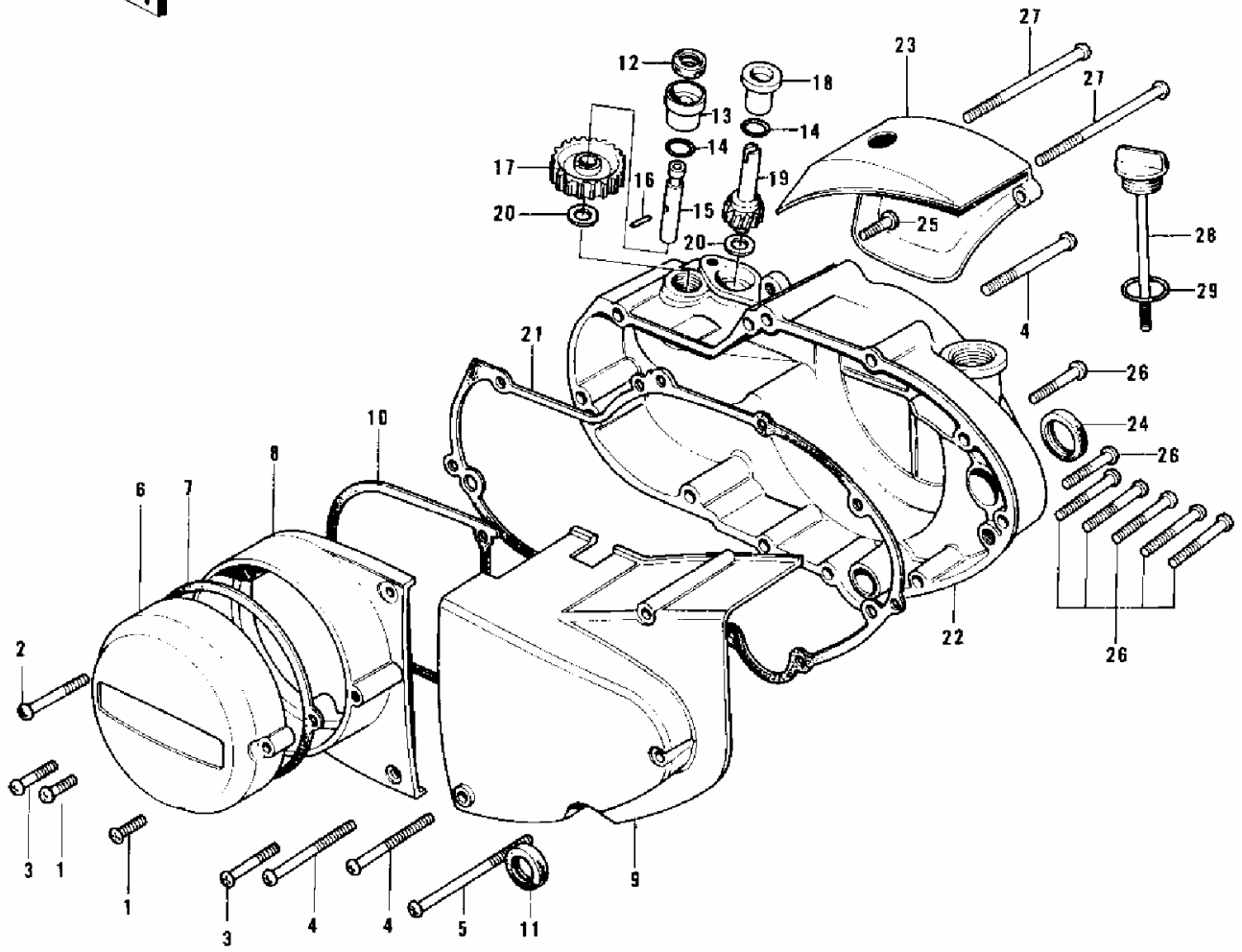
FRONT



CYLINDER HEADS/CYLINDERS ('73-'75 D/E/F

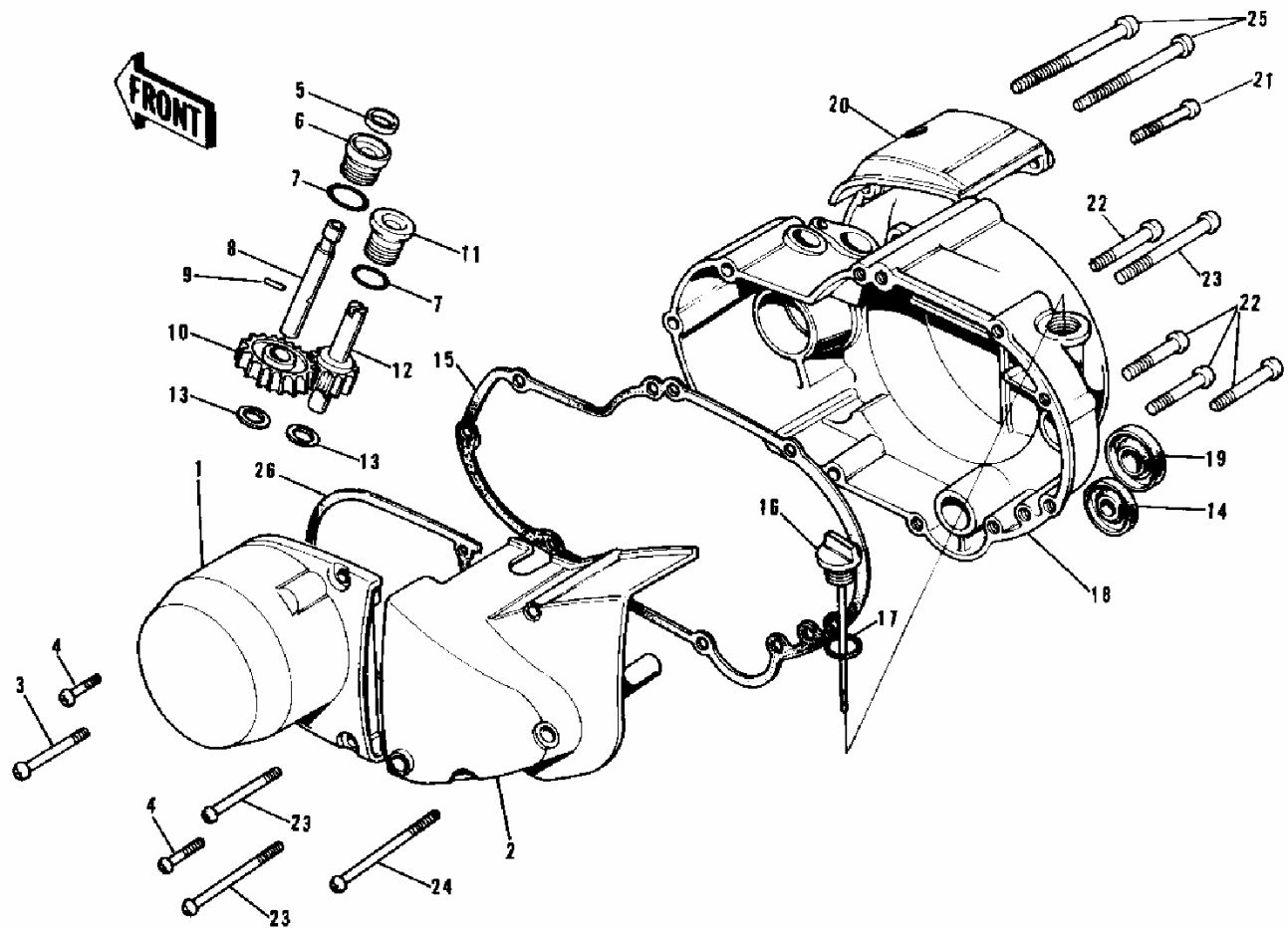
Ref #	Part #	Description	Qty	Spec Code
1	92015-020	NUT 8MM	12	
2	461F1200	WASHER SPRING 12MM	12	
3	92022-072	WASHER PLAIN 12MM	12	
4	B9HS1	SPARK PLUG B9HS1	3	
5	11001-064-80	CYLINDER HEAD, L.H&R.H	2	H1-D
5	11001-098-2H	CYLINDER HEAD, L.H&R.H	2	H1-E/F, KH500-A8
6	11001-065	CYLINDER HEAD, CENTER	1	H1-D
6	11001-099-2H	CYLINDER HEAD, CENTER	1	H1-E/F, KH500-A8
7	11004-048	GASKET -CYLINDER HEAD	3	
8	11005-050	CYLINDER	1	H1-D
8	11005-122-2H	CYLINDER, L.H, BARREL	1	H1-E/F, KH500-A8
9	11005-051	CYLINDER	1	H1-D
9	11005-123-2H	CYLINDER, CENTER, BAREL	1	H1-E/F, KH500-A8
10	11005-052	CYLINDER	1	H1-D
10	11005-124-2H	CYLINDER, R.H, BARREL	1	H1-E/F, KH500-A8
11	11009-019	GASKET CYLINDER BASE	3	
12	172G0820	STUD 8X20	6	
13	16062-011	GASKET AIR INLET	6	
14	16061-010	INSULATOR HEAT	3	
15	16060-009	INLET PIPE	3	
16	461F0800	WASHER SPRING 8MM	6	
17	311B0800	NUT, 8MM	6	
18	18067-008	GASKET EXHAUST PIPE	3	H1-D
18	11009-1840	GASKET, EXHAUST PIPE H	3	H1-E/F, KH500-A8
19	92004-029	STUD	6	H1-D
19	92004-1008	STUD, 8X25	6	H1-E/F, KH500-A8

FRONT



ENGINE COVERS ('73-'75 D/E/F & '76 A8)

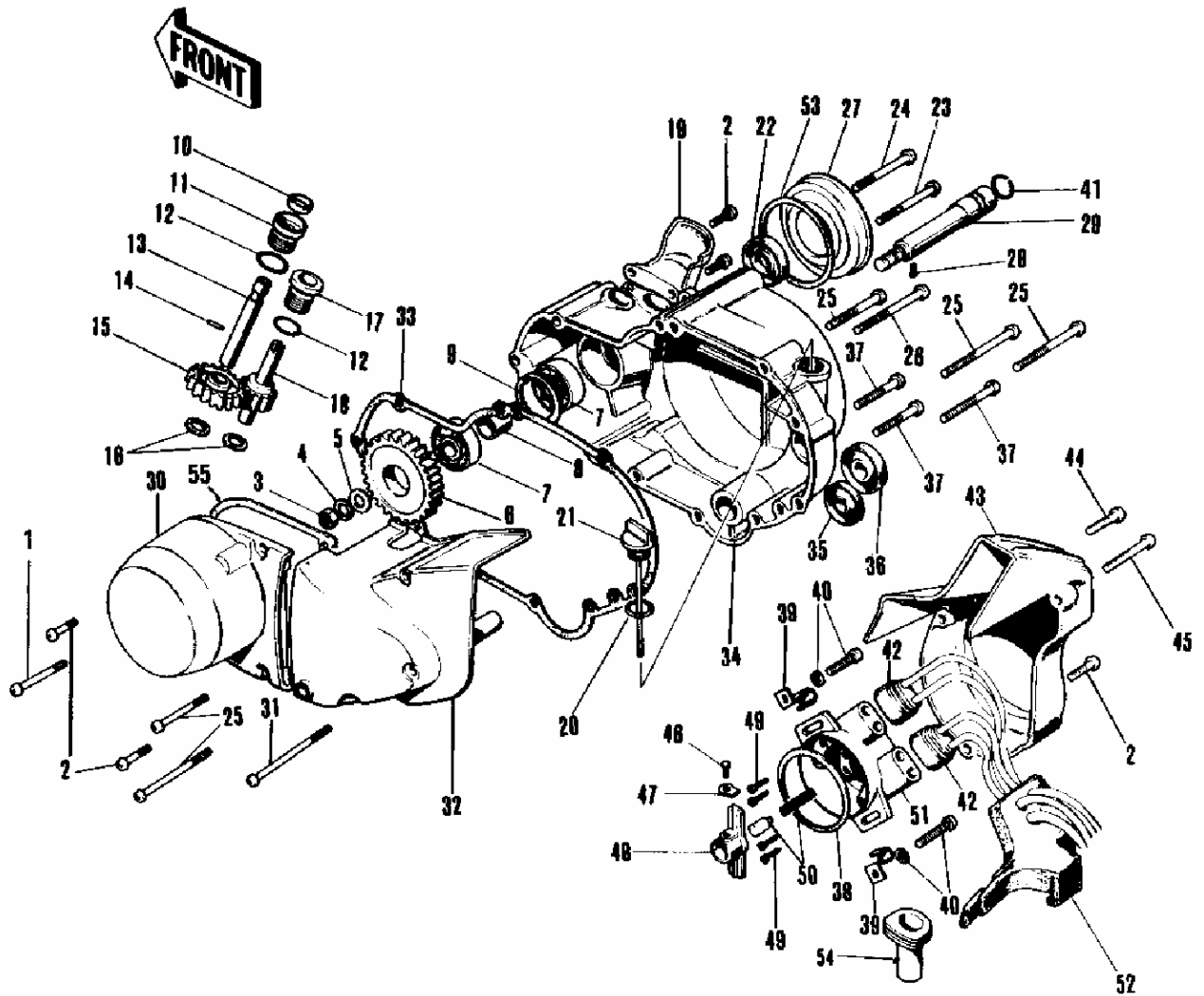
Ref #	Part #	Description	Qty	Spec Code
1	220B0620	SCREW PAN HEAD 6X20	2	
2	220B0645	SCREW PAN HEAD 6X45	1	
3	220B0635	SCREW PAN HEAD 6X35	2	
4	220B0655	SCREW PAN HEAD 6X55	3	
5	220B0685	SCREW PAN HEAD 6X85	1	
6	14027-016-80	CAP,BREAKER POINT, BUF	1	
7	14050-005	GASKET -POINT CAP	1	H1-D
7	14050-008	GASKET, POINT CAP	1	H1-E/F, KH500-A8
8	14031-049-80	COVER, L.H ENGINE, BUFF	1	H1-D
8	14031-060-80	COVER, L.H ENGINE, BUFF	1	H1-E/F, KH500-A8
9	14026-024-80	COVER, CHN CASE, BUFF	1	H1-D/E/F
9	14026-034-80	COVER, FRONT CHN, BUFF	1	KH500- A8
10	14045-022	GASKET, L.H ENG COVER	1	
11	92049-004	OIL SEAL SB12205	1	
12	92054-004	OIL SEAL	1	
13	92028-075	BUSH	1	
14	92055-025	"0" RING	2	
15	13226-004	SHAFT TACHOMETER GEAR	1	
16	92042-035	PIN, DOWEL	1	
17	13224-005	GEAR TACHOMETER	1	
18	92028-074	BUSH	1	
19	16085-011	GEAR OIL PUMP	1	
20	92026-026	WASHER THRUST	2	
21	14046-014	GASKET R.H ENGINE COV	1	
22	14032-1024-80	COVER, R.H.ENGINE	1	
23	14030-036-80	COVER, OIL PUMP, BUFF	1	
24	92049-002	OIL SEAL SB16244	1	
25	220B0625	SCREW PAN HEAD 6X25	1	
26	220B0630	SCREW PAN HEAD 6X30	7	
27	220B06100	SCREW PAN HEAD 6X100	2	
28	16115-017	PLUG-OIL FILLER	1	
29	670B2020	"0" RING, 20MM	1	



ENGINE COVERS (H1-B)

Ref #	Part #	Description	Qty	Spec Code
1	14031-030	COVER L.H ENGINE	1	
2	14026-024-80	COVER, CHN CASE, BUFF	1	
3	220B0640	SCREW PAN HEAD 6X40	1	
4	220B0620	SCREW PAN HEAD 6X20	2	
5	92054-004	OIL SEAL	1	
6	92028-075	BUSH	1	
7	92055-025	"O" RING	2	
8	13226-004	SHAFT TACHOMETER GEAR	1	
9	92042-035	PIN, DOWEL	1	
10	13224-005	GEAR TACHOMETER	1	
11	92028-074	BUSH	1	
12	16085-011	GEAR OIL PUMP	1	
13	92026-026	WASHER THRUST	2	

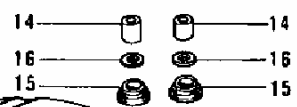
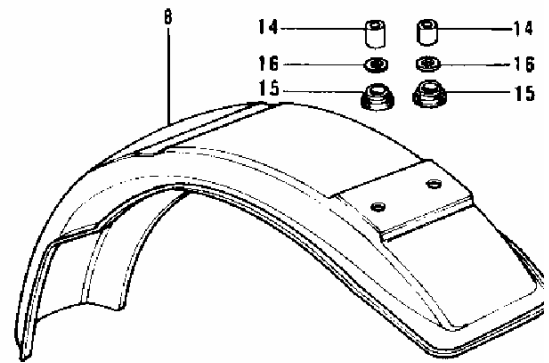
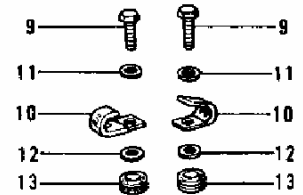
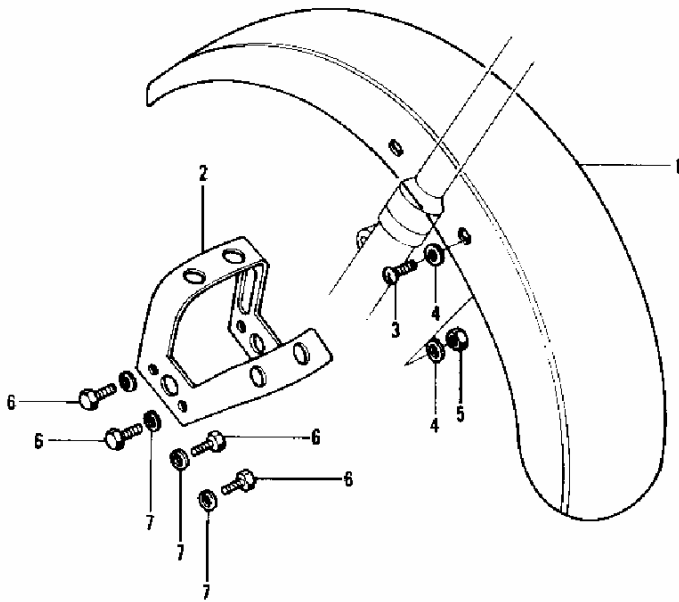
14	92049-004	OIL SEAL SB12205	1
15	14046-014	GASKET R.H ENGINE COV	1
16	16115-017	PLUG-OIL FILLER	1
17	670B2020	"O" RING,20MM	1
18	14032-071-36	COVER-RH ENG,SILVER	1
18	14032-1024-80	COVER,R.H.ENGINE	1
19	92049-002	OIL SEAL SB16244	1
20	14030-036-80	COVER,OIL PUMP,BUFF	1
21	220B0625	SCREW PAN HEAD 6X25	1
22	220B0630	SCREW PAN HEAD 6X30	7
23	220B0655	SCREW PAN HEAD 6X55	3
24	220B0685	SCREW PAN HEAD 6X85	1
25	220B06100	SCREW PAN HEAD 6X100	2
26	14045-022	GASKET,L.H ENG COVER	1



ENGINE COVERS (H1/A/C)

Ref #	Part #	Description	Qty	Spec Code
1	220B0640	SCREW PAN HEAD 6X40	1	
2	220B0620	SCREW PAN HEAD 6X20	5	
3	311B0600	NUT 6MM	1	
4	461F0600	WASHER SPRING 6MM	1	
5	92022-1565	WASHER, 6.5X16X2	1	
6	21147-001	GEAR DISTRIBUTOR	1	
7	92045-1235	BEARING-BALL	2	
8	92027-051	COLLAR	1	
9	481J2800	CIRCLIP Z8MM	1	
10	92054-004	OIL SEAL	1	
11	92028-075	BUSH	1	
12	92055-025	"O" RING	2	
13	13226-004	SHAFT TACHOMETER GEAR 1		

14	92042-035	PIN,DOWEL	1	
15	13224-005	GEAR TACHOMETER	1	
16	92026-026	WASHER THRUST	2	
17	92028-074	BUSH	1	
18	16085-011	GEAR OIL PUMP	1	
19	14030-024	COVER OIL PUMP LEVER	1	
20	670B2020	"0" RING,20MM	1	
21	16115-017	PLUG-OIL FILLER	1	
22	92049-008	OIL SEAL TB15256	1	
23	220B0625	SCREW PAN HEAD 6X25	1	
24	220B0680	SCREW PAN HEAD 6X80	2	
25	220B0655	SCREW PAN HEAD 6X55	5	
26	220B0660	SCREW PAN HEAD 6X60	1	
27	21144-002	INSULATOR-DISBRIBUTOR	1	
28	551A0308	PIN DOWEL 3X8	1	
29	21143-001	SHAFT DISTRIBUTOR	1	-E/NO. 8800
29	21143-002	SHAFT -DISBRIBUTOR	1	E/NO. 8801-
30	14031-030	COVER L.H ENGINE	1	
31	220B0685	SCREW PAN HEAD 6X85	1	
32	14026-024-80	COVER,CHN CASE,BUFF	1	
33	14046-014	GASKET R.H ENGINE COV	1	
34	14032-042	COVER R.H ENGINE	1	
35	92049-004	OIL SEAL SB12205	1	
36	92049-002	OIL SEAL SB16244	1	
37	220B0630	SCREW PAN HEAD 6X30	3	
38	92065-048	GASKET	1	
39	21149-001	CLAMP DISTRIBUTOR	2	
40	223B0410	SCREW-PAN-WS-CROS	2	
41	92036-016	CIRCLIP	1	
42	92071-031	GROMMET DISTRIBUTOR	2	
43	14030-025	COVER OIL PUMP	1	
44	220B0645	SCREW PAN HEAD 6X45	1	
45	220B06100	SCREW PAN HEAD 6X100	1	
46	92011-016	SCREW 4X16	1	
47	92024-013	WASHER LOCK 4MM	1	
48	21142-003	ROTOR -DISTRIBUTOR	1	USE FOR 21143-001
48	21142-002	ROTOR -DISTRIBUTOR	1	USE FOR 21143-002
49	92100-001	SCREW CORD FIT	4	
50	21088-008	BRUSH CARBON	1	
51	21141-001	CAP DISTRIBUTOR	1	
52	92071-040	GROMMET TENSION CORD	1	-E/NO. 8800
52	92071-043	GROMMET TENSION CORD	1	E/NO. 8801-
53	92065-072	GASKET	1	
54	16116-005	GROMMET DRAIN	1	E/NO. 8801-
55	14045-022	GASKET,L.H ENG COVER	1	

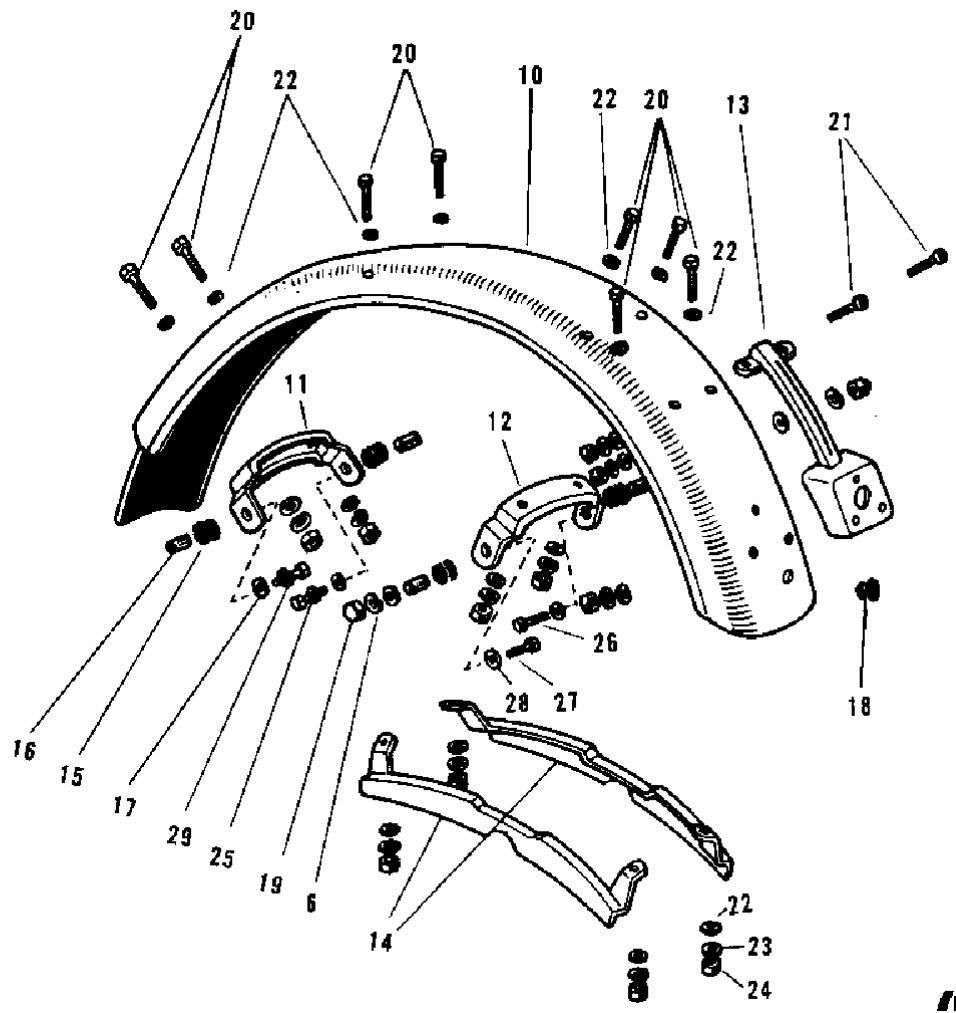
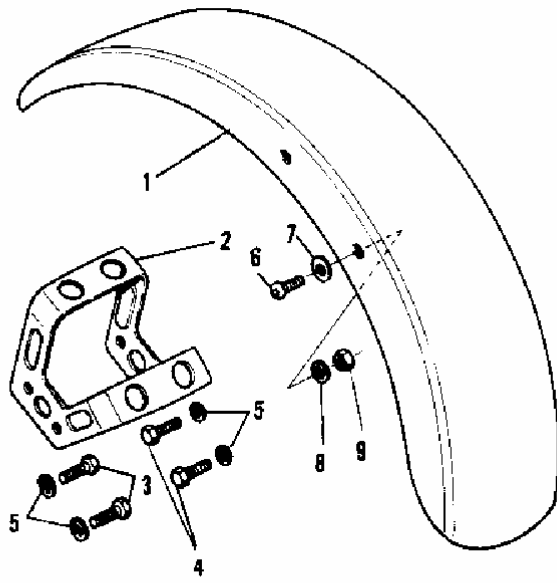


FENDERS ('73-'75 D/E/F & '76 A8)

Ref #	Part #	Description	Qty	Spec Code
1	35004-076	FENDER-FR	1	H1-D
1	35004-085	FENDER-FR	1	H1-E/F,KH500-A8
2	35009-025	BRACE-FRONT FENDER	1	H1-D
2	35009-029	BRACE,FRONT FENDER	1	H1-E/F,KH500-A8
3	220E0614	SCREW PAN HEAD 6X14	4	
4	411B0600	WASHER PLAIN 6MM	8	
5	92019-008	NUT	4	
6	115G0816	BOLT -SMALL-UPSET,8X16	4	
7	461F0800	WASHER SPRING 8MM	4	
8	35022-076	FENDER-RR	1	
9	110N0632	BOLT -HEX HEAD,6X32	2	

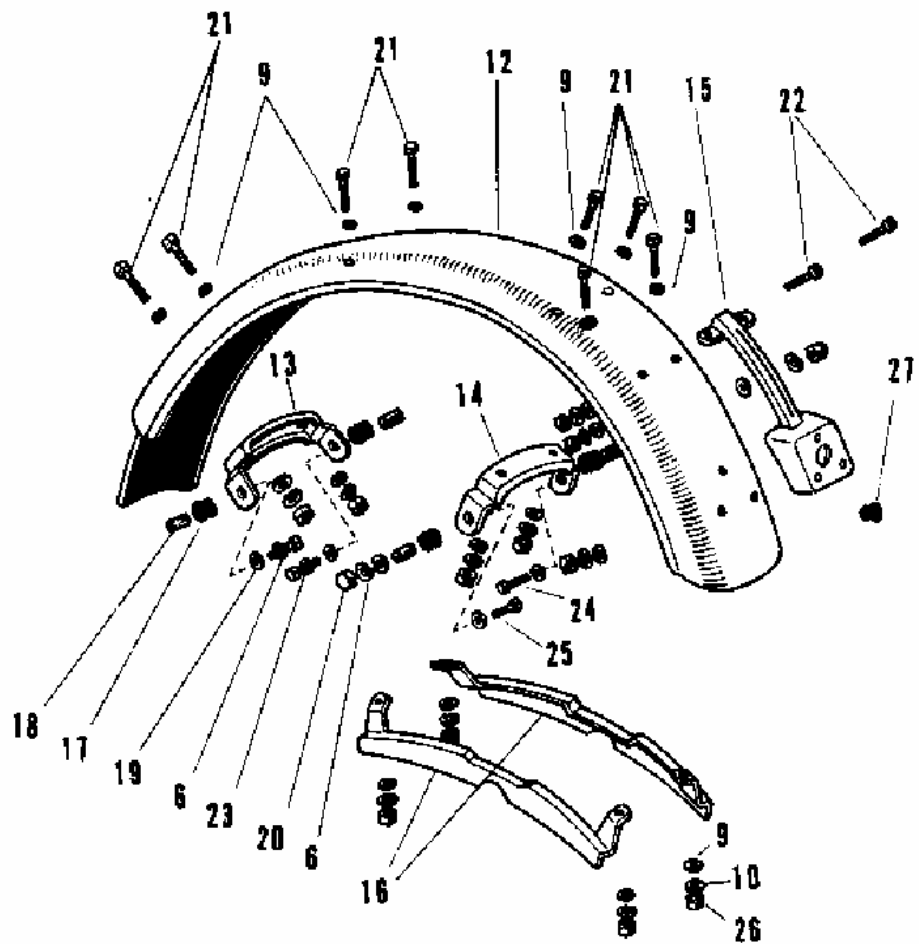
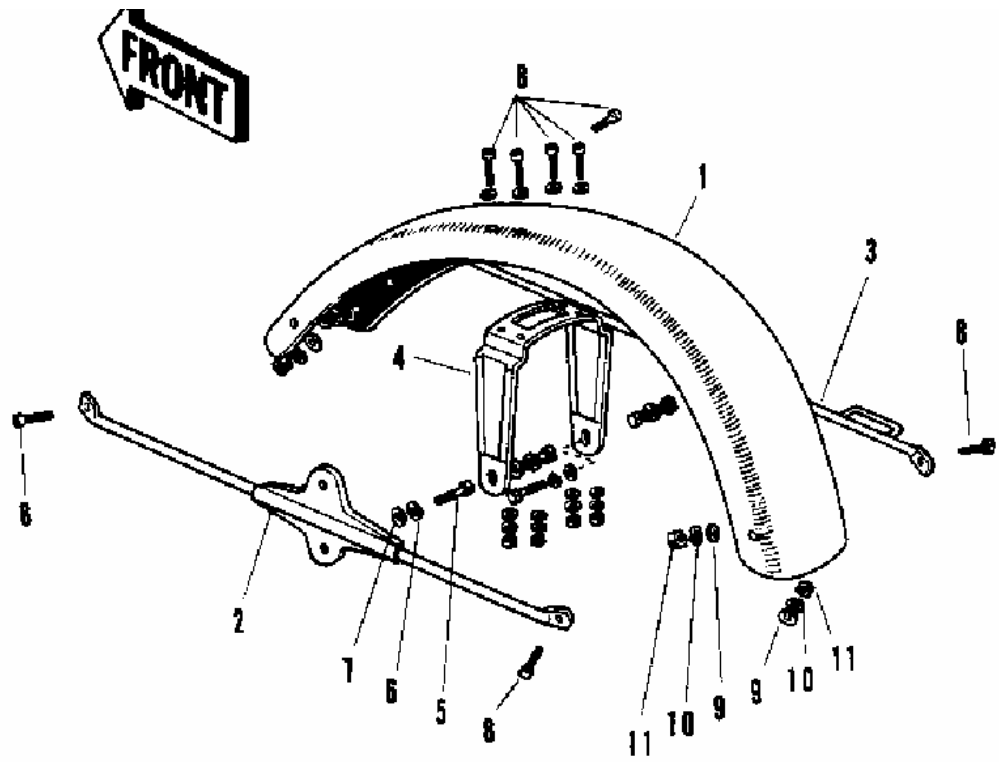
10	92037-113	CLAMP,HARNESS	2	H1-E/F,KH500-A8
11	411B0600	WASHER PLAIN 6MM	2	H1-E/F,KH500-A8
12	92022-228	WASHER,PLAIN,7MM	2	
13	92075-121	DAMPER RUBBER,RR FEND	2	
14	92027-162	COLLAR,REAR FENDER	2	
15	92075-133	DAMPER RUBBER,RR FEND	2	
16	92022-227	WASHER,PLAIN,7MM	2	
17	461F0600	WASHER SPRING 6MM	2	
18	311B0600	NUT 6MM	2	

FRONT



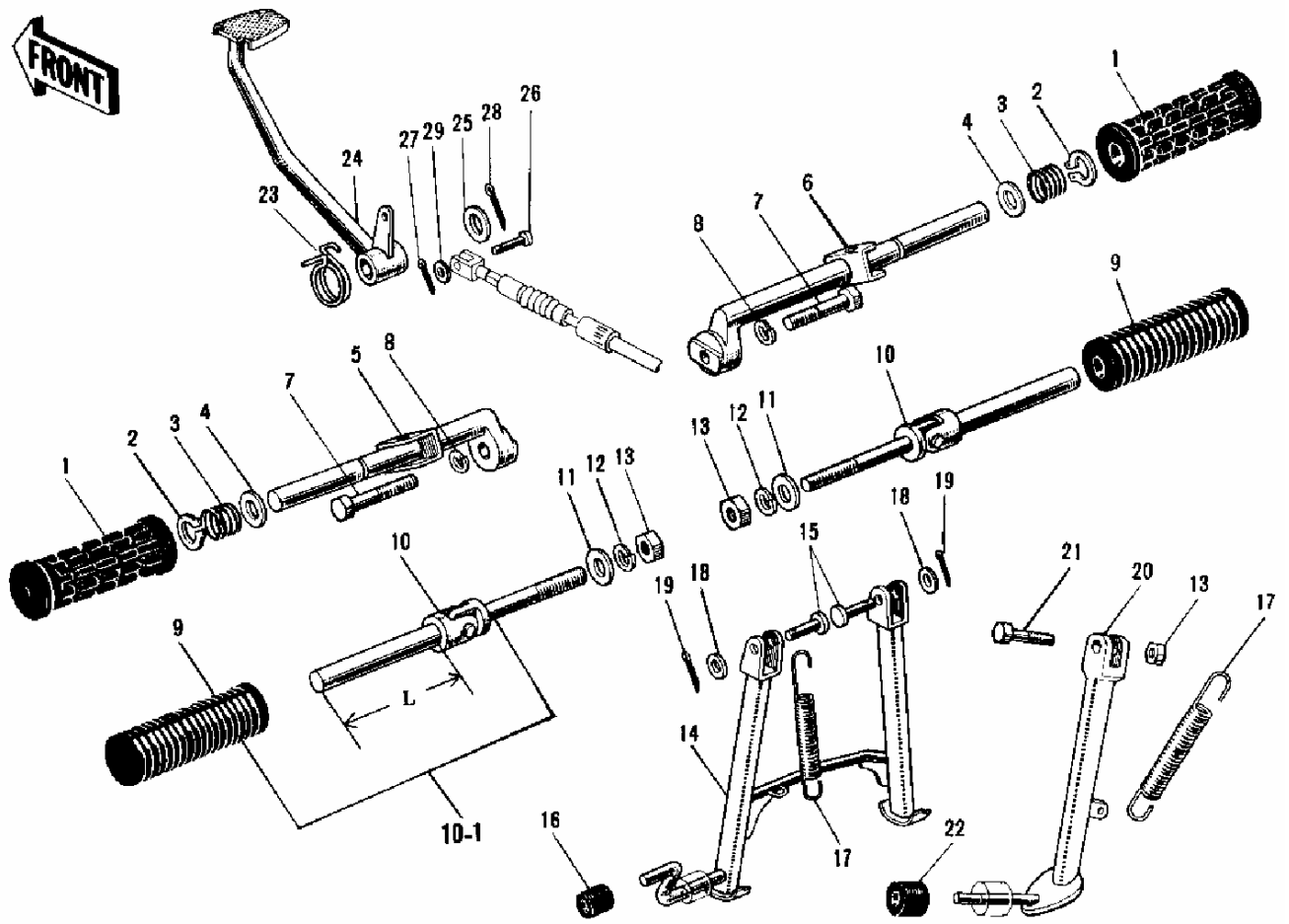
FENDERS (H1-B)

Ref #	Part #	Description	Qty	Spec Code
1	35004-060-67	FENDER-FR, P.C.ORANGE	1	
2	35009-018	BRACE-FRONT FENDER	1	
3	115G0816	BOLT-SMALL-UPSET, 8X16	2	
4	115B0814	BOLT-SMALL-UPSET, 8X14	2	
5	461F0800	WASHER SPRING 8MM	4	
6	220E0614	SCREW PAN HE AD 6X14	4	
7	92022-193	WASHER-PLAIN	4	
8	411B0600	WASHER PLAIN 6MM	4	
9	92019-008	NUT	4	
10	35022-060-67	FENDER-RR,P.C.ORANGE	1	
11	35025-009	BRACKET REAR FENDER	1	
12	35025-010	BRACKET REAR FENDER	1	
13	35031-004-67	STAY-TAIL LAMP,P.C.O.	1	
14	35034-007-67	STAY-RR FENDER,P.C.O.	2	
15	92075-019	DAMPER RUBB TANK FRNT	4	
16	51065-001	SPACER FUEL TANK MONT	4	
17	92022-1564	WASHER, 8X26X2.3	4	
18	92074-005	PLUG RUBBER	1	
19	92020-007	NUT FUEL TANK FRONT	2	
20	112G0612	BOLT-UPSET, 6X12	8	
21	220B0612	SCREW PAN HEAD 6X12	2	
22	411B0600	WASHER PLAIN 6MM	21	
23	461F0600	WASHER SPRING 6MM	13	
24	311B0600	NUT 6MM	13	
25	115B0822	BOLT-SMALL-UPSET, 8X22	2	
26	92001-1386	BOLT, 8X55	1	
27	92001-1182	BOLT, 10X45	1	
28	411B0800	WASHER PLAIN 8MM	3	
29	461F0800	WASHER SPRING 8MM	4	



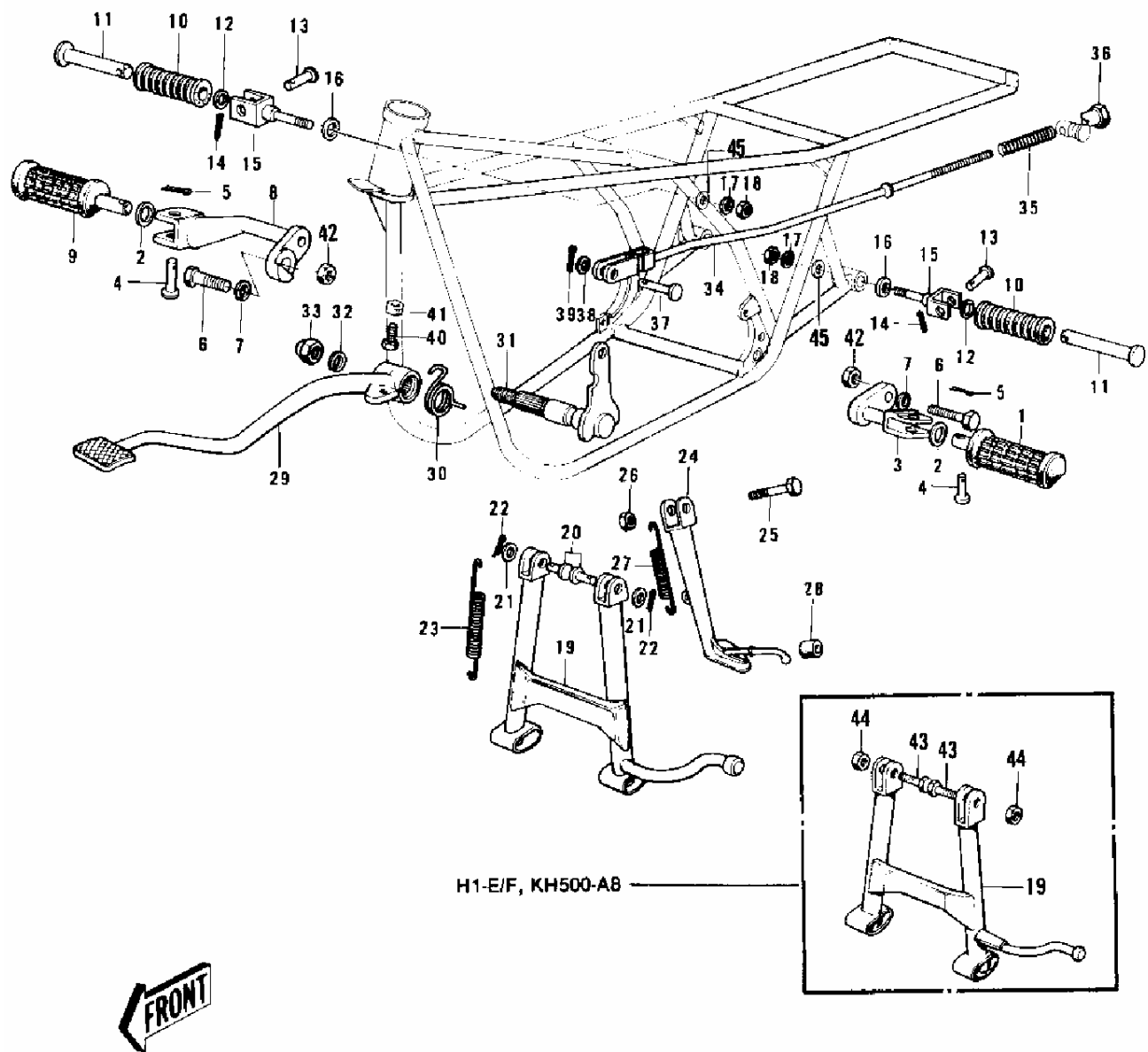
FENDERS (H1/A/C)

Ref #	Part #	Description	Qty	Spec Code
1	35004-036	FENDER-FR	1	
2	35011-018	STAY FRONT FENDER L.H	1	
3	35011-017	STAY FRONT FENDER R.H	1	
4	35009-012	BRACE FRONT FENDER	1	
5	115B0814	BOLT-SMALL-UPSET, 8X14	4	
6	461F0800	WASHER SPRING 8MM	8	
7	410B0800	WASHER PLAIN 8MM	4	
8	220E0612	SCREW PAN HEAD 6X12	8	
9	411B0600	WASHER PLAIN 6MM	24	
10	461F0600	WASHER SPRING 6MM	18	
11	312B0600	NUT 6MM	8	
12	35022-045	FENDER-RR	1	
13	35025-009	BRACKET REAR FENDER	1	
14	35025-010	BRACKET REAR FENDER	1	
15	35031-004	STAY TAIL LAMP	1	
16	35034-007	SUPPORTER REAR FENDER	2	
17	92075-019	DAMPER RUBB TANK FRNT	4	
18	51065-001	SPACER FUEL TANK MONT	4	
19	92022-1564	WASHER, 8X26X2.3	4	
20	92020-007	NUT FUEL TANK FRONT	2	
21	112G0612	BOLT-UPSET, 6X12	8	
22	220B0612	SCREW PAN HEAD 6X12	2	
23	115B0822	BOLT-SMALL-UPSET, 8X22	2	
24	92001-1182	BOLT, 10X45	1	
25	92001-1386	BOLT, 8X55	1	
26	311B0600	NUT 6MM	10	
27	92074-005	PLUG RUBBER	1	



FOOTRESTS/STANDS/BRA KE PEDAL ('69-'72 H1

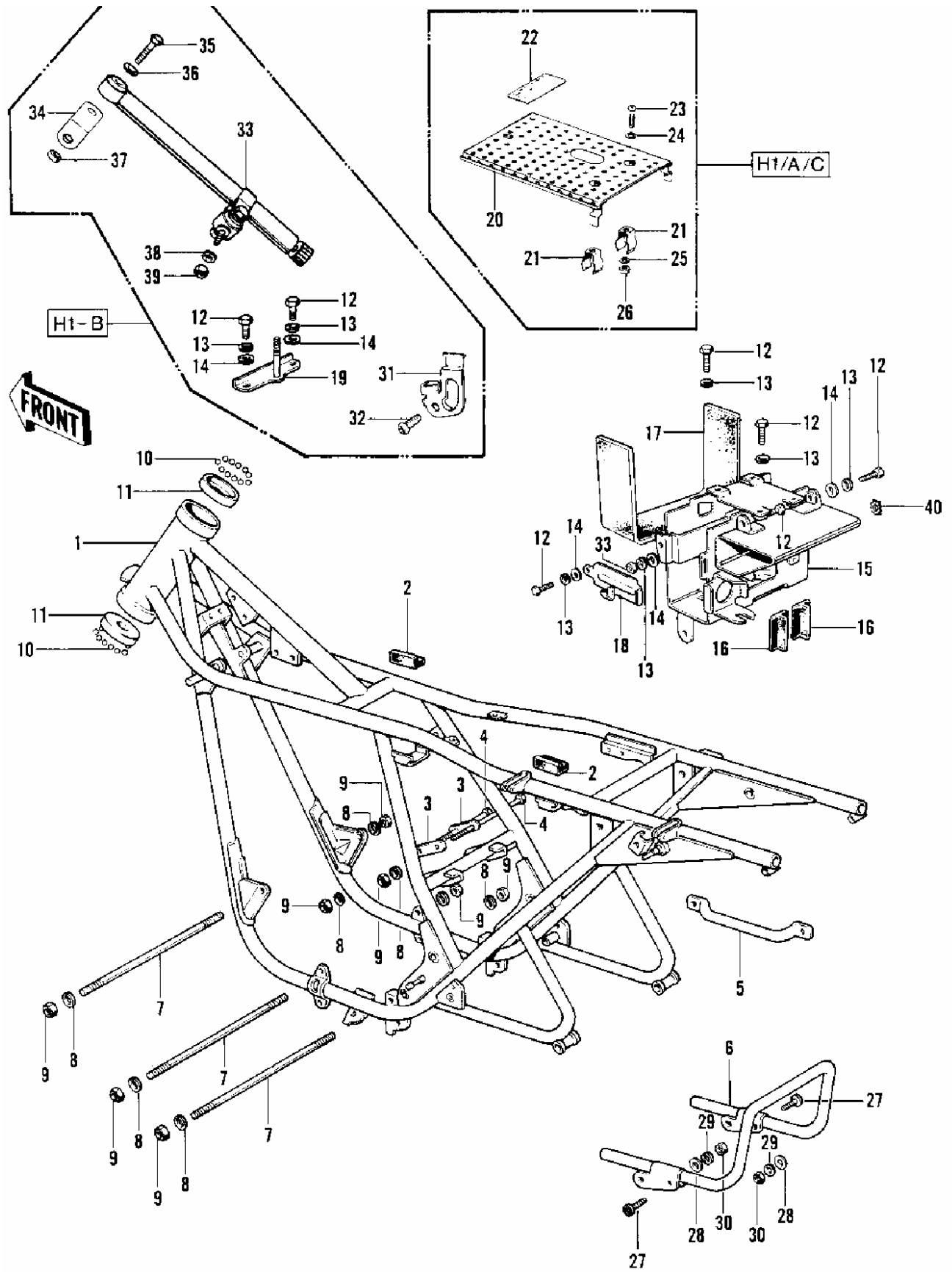
Ref #	Part #	Description	Qty	Spec Code
1	92076-015	RUBBER FOOTREST	2	
2	480J1600	CIRCLIP 16MM	2	
3	34006-002	SPRING FOOTREST PEG	2	
4	92022-049	WASHER FOLDING PEG	2	
5	34003-013	BAR FOOTREST L.H	1	
6	34003-015	BAR FOOTREST R.H	1	
7	92003-165	BOLT, HEX HEAD, 12X56	2	
8	461F1200	WASHER SPRING 12MM	2	
9	92076-009	RUBBER REAR FOOTREST	2	USE FOR 34027-0
9	92076-008	RUBBER REAR FOOTREST	2	USE FOR 34027-0
10	34027-012	BAR REAR FOOTREST	2	L=78 MM
10	34027-013	FOOTREST BAR REAR	2	L=62 MM
10-1	34030-001	BAR SET -REAR FOOTREST	2	INCLUDES REF. #9
11	410B1000	WASHER PLAIN 10MM	2	
12	461F1000	WASHER SPRING 10MM	2	
13	314B1000	NUT, 10MM	3	
14	34011-034	STAND-MAIN	1	
15	92043-041	PIN JOINT	2	
16	92075-046	DAMPER RUBB MAIN STND	1	
17	34023-005	SPRING MAIN STAND	2	
18	410B1200	WASHER PLAIN 12MM	2	
19	550D2525	PIN COTTER 2.5X25	2	
20	34024-016	STAND-SIDE	1	H1/A/C
20	34024-032	STAND-SIDE	1	H1-B
21	112G1030	BOLT-UPSET, 10X30	1	H1/A/C
21	92003-079	BOLT-SIDE STAND	1	H1-B
22	92075-031	DAMPER RUBB SIDE STND	1	
23	43005-011	SPRING BRAKE PEDAL	1	
24	43001-027	PEDAL BRAKE	1	
25	92022-085	WASHER BRAKE PEDAL	1	
26	92043-034	PIN R BRK CABLE JOINT	1	
27	550D2015	PIN COTTER 2.0X15	1	
28	550D3025	PIN COTTER 3.0X25	1	
29	410B0600	WASHER PLAIN 6MM	1	



FOOTRESTS/STANDS/BRA KE PEDAL ('73-'75 D/E/F, KH500-A8)

Ref #	Part #	Description	Qty	Spec Code
1	34028-011	BAR-FOOTREST, L.H	1	
2	92022-204	WASHER PL 22.5X36X2.3	2	
3	34003-038	BRACKET, FOTRST BAR, LH	1	
4	92043-080	PIN-FOOTREST BAR FIT	2	
5	550D2515	PIN, COTTER, 2.5X15	2	
6	113G1240	BOLT HEX HEAD 12X40	2	H1-D
6	92003-165	BOLT, HEX HEAD, 12X56	2	H1-E/F, KH500-A8
7	461F1200	WASHER SPRING 12MM	2	
8	34003-039	BRACKET, FOTRST BAR, RH	1	

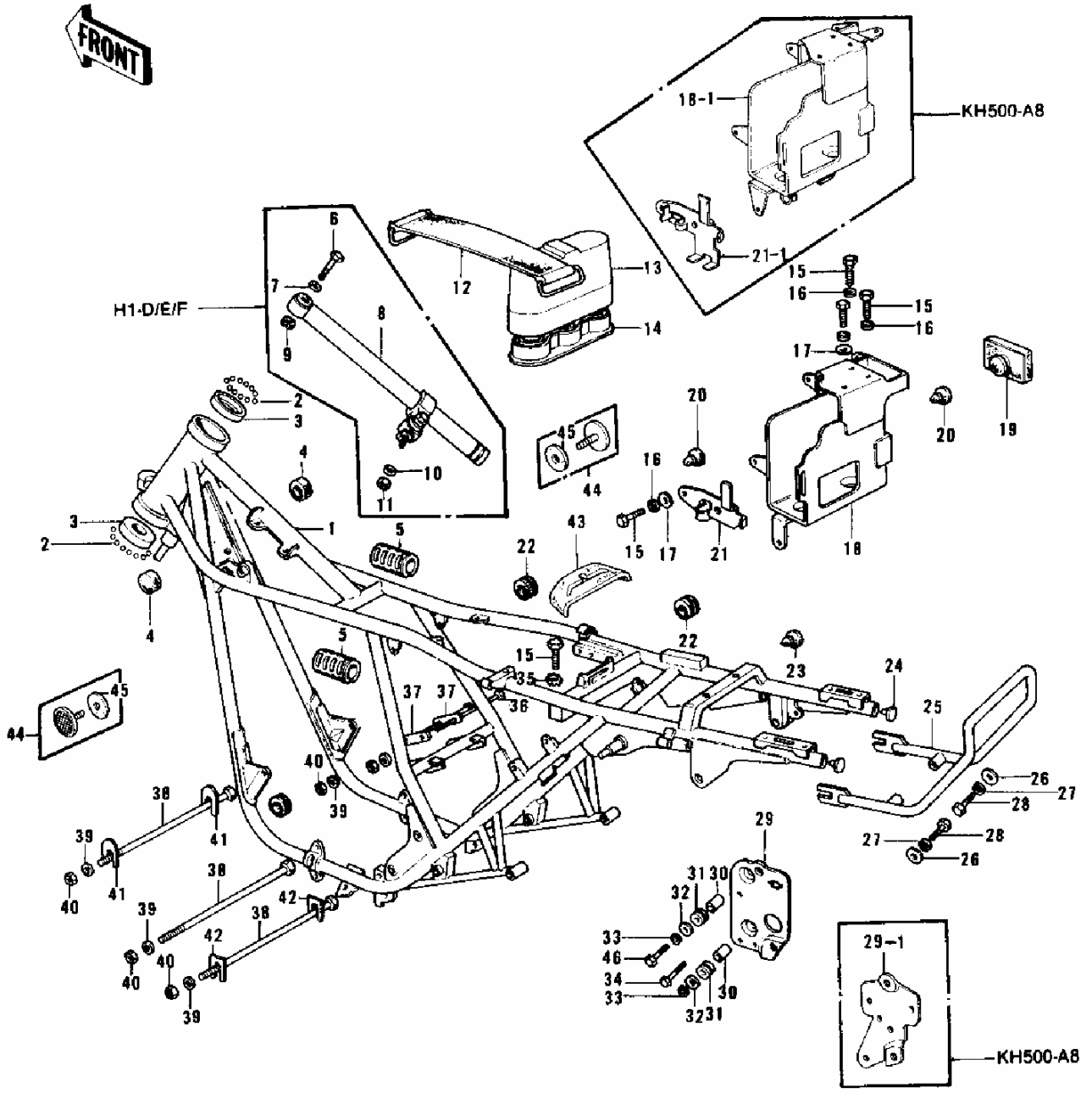
9	34028-012	BAR-FOOTREST, R.H	1	
10	92076-024	RUBBER, REAR FOOTREST	2	
11	34028-009	BAR-RR FOOTREST (OPT)	2	
12	92022-199	WASHER -PLAIN (OPT)	2	
13	92043-1464	PIN	2	
14	550D2015	PIN COTTER 2.0X15	2	H1-D
14	550D2012	PIN, COTTER, 2.0X12	2	H1-E/F, KH500-A8
15	34029-008	HOLDER-STEP RR	2	H1-D
15	34029-011	BRACKET, REAR FOOTREST	2	H1-E/F, KH500-A8
16	92026-074	SPACER	2	H1-D
16	92022-099	WASHER CYL HEAD BOLT	2	H1-E/F, KH500-A8
17	461F1000	WASHER SPRING 10MM	2	
18	314B1000	NUT, 10MM	2	
19	34011-034	STAND-MAIN	1	H1-E/F, KH500-A8
20	92043-041	PIN JOINT	2	H1-D
21	410B1200	WASHER PLAIN 12MM	2	H1-D
22	550D2525	PIN COTTER 2.5X25	2	H1-D
23	34023-010	SPRING-MAIN STAND	1	H1-D
23	34023-016	SPRING, MAIN STAND	1	H1-E/F, KH500-A8
24	34024-039	STAND-SIDE	1	
25	92003-079	BOLT-SIDE STAND	1	
26	314B1000	NUT, 10MM	1	
27	34023-005	SPRING MAIN STAND	1	
28	92075-031	DAMPER RUBB SIDE STND	1	
29	43001-047	PEDAL, BRAKE	1	
30	43005-022	SPRING, BRAKE PEDAL	1	
31	43004-011	SHAFT, BRAKE PEDAL	1	
32	411B0800	WASHER PLAIN 8MM	1	
33	92019-013	NUT, CAP AND LOCK, 8MM	1	
34	43011-016	ROD, BRAKE	1	
35	43012-001	SPRING, BRAKE ROD	1	
36	92015-042	NUT-BRAKE ROD ADJUST	1	
37	92043-064	PIN-BRAKE ROD FITTING	1	
38	410B0600	WASHER PLAIN 6MM	1	
39	550D2015	PIN COTTER 2.0X15	1	
40	112G0620	BOLT-UPSET, 6X20	1	
41	311B0600	NUT 6MM	1	
42	314G1200A	NUT, 12MM	2	H1-E/F, KH500-A8
43	92003-150	BOLT, HEX HEAD, 12X32	2	H1-E/F, KH500-A8
44	92019-009	NUT-LOCK, 12MM	2	H1-E/F, KH500-A8
45	410B1000	WASHER PLAIN 10MM	2	H1-E/F, KH500-A8



FRAME/FRAME FITTINGS ('69-'72 H1/A/B/C)

Ref #	Part #	Description	Qty	Spec Code
1	32002-021	FRAME	1	H1/A
1	32002-052	FRAME	1	H1-C
1	32002-049	FRAME	1	H1-B
2	31082-005	PROTECTOR SIDE COVER	2	
3	32030-016	PLATE REAR ENG HOLDER	2	
4	92001-1248	BOLT, HEX HEAD, 10X125	2	
5	32109-009	GRIP FRAME	1	
6	35032-021	STAY-REAR FENDER	1	
7	92091-024	BOLT-ENG MOUNT, 10X274	3	
8	461F1000	WASHER SPRING 10MM	10	
9	314B1000	NUT, 10MM	10	
10	600A0800	BALL STEEL 1/4'	38	
11	92048-006	RACE STRNG STEM BERNG	2	
12	112G0616	BOLT-UPSET, 6X16	5	H1/A/C
12	112G0616	BOLT-UPSET, 6X16	7	H1-B
13	461F0600	WASHER SPRING 6MM	5	H1/A/C
13	461F0600	WASHER SPRING 6MM	7	H1-B
14	411B0600	WASHER PLAIN 6MM	3	H1/A/C
14	411B0600	WASHER PLAIN 6MM	5	H1-B
15	32099-004	BOX BATTERY - TOOL	1	H1/A/C
15	32099-009	CASE-BATTERY&TOOL	1	H1-B
16	32103-003	SEAT RECTIFIER RUBBER	2	
17	32103-012	MAT BATTERY	1	
18	32100-013	BAND BATTERY	1	
19	32051-005	BRACKET-FUEL TANK	1	H1-B
20	32104-003	PLATE-PUNCHED	1	H1/A/C
21	32095-003	BRACKET	2	H1/A/C
22	56020-010	LABLE	2	H1/A/C
23	220B0610	SCREW PAN HEAD 6X10	2	H1/A/C
24	411B0600	WASHER PLAIN 6MM	2	H1/A/C
25	461F0600	WASHER SPRING 6MM	2	H1/A/C
26	311B0600	NUT 6MM	2	H1/A/C
27	28012-007	REFLECTOR-REFLEX,REAR	2	H1-B/C
28	411B0500	WASHER PLAIN 5MM	2	H1-B/C
29	461F0500	WASHER SPRING 5MM	2	H1-B/C

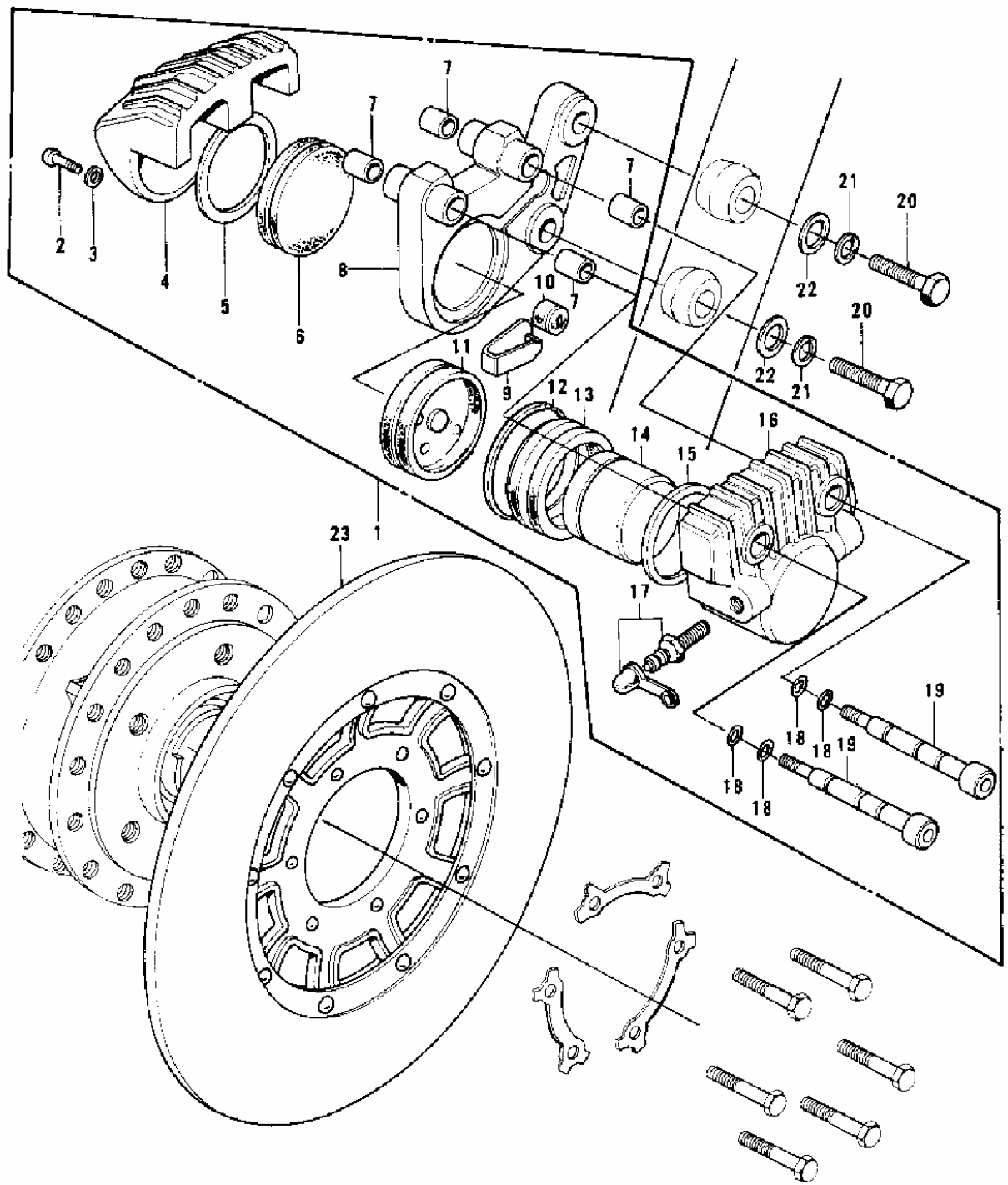
30	311B0500	NUT, 5MM	2	H1-B/C
31	32064-008	BRACKET-TURN SIG RELY	1	H1-B
32	112B0614	BOLT-UPSET 6X14	1	H1-B
33	46117-006	OIL DAMPER-STEERING	1	H1-B
34	32056-012	BRACKET-STEERING DAMP	1	H1-B
35	92001-1581	BOLT, FLANGED, 8X60	1	H1-B
36	411B0800	WASHER PLAIN 8MM	1	H1-B
37	92015-1124	NUT, LOCK, 8MM	1	H1-B
38	461F0800	WASHER SPRING 8MM	1	H1-B
39	311B0800	NUT, 8MM	1	H1-B
40	464H0600	WASHER LOCK 6MM	2	H1-B



FRAME/FRAME FITTINGS ('73-'75 D/E/F & '76 KH500-A8)

Ref #	Part #	Description	Qty	Spec Code
1	32002-062	FRAME	1	H1-D
1	32002-085	FRAME	1	H1-E
1	32002-114	FRAME	1	H1-F
1	32002-127	FRAME	1	H1-D/E/F
1	32002-131	FRAME ASSY	1	KH500- A8
2	600A0800	BALL STEEL 1/4'	38	
3	92048-006	RACE STRNG STEM BERNG	2	
4	92075-101	DAMPER RUBBER-FL TANK	2	
5	92075-084	DAMPER RUBBER	2	H1-D/E/F
6	110B0860	BOLT HEX HEAD 8X60	1	H1-D/E/F
7	411B0800	WASHER PLAIN 8MM	1	H1-D/E/F
8	46117-006	OIL DAMPER-STEERING	1	H1-D/E/F
9	92015-1124	NUT, LOCK, 8MM	1	H1-D/E/F
10	461F0800	WASHER SPRING 8MM	1	H1-D/E/F
11	311B0800	NUT,8MM	1	H1-D/E/F
12	32100-015	BAND, SPARK PLUG COVER	1	
13	32132-003	COVER-SPARK PLUG	1	
14	32132-002	HOLDER-SPARK PLUG COV	1	
15	112G0616	BOLT-UPSET, 6X16	5	H1-D/E/F
15	112G0612	BOLT-UPSET, 6X12	5	KH500- A8
16	461F0600	WASHER SPRING 6MM	5	
17	411B0600	WASHER PLAIN 6MM	5	
18	32097-026	CASE, BATTERY	1	H1-D
18	32097-033	CASE, BATTERY	1	H1-E/F
18-1	32097-038	CASE, BATTERY	1	KH500- A8
19	92075-163	DAMPER RUBBER, BATTERY	1	
20	92075-078	DAMPER RUBBER	4	
21	32100-016	BAND, BATTERY	1	H1-D/E/F
21-1	32100-018	BAND, BATTERY CASE	1	KH500- A8
22	92071-056	GROMMET	4	
23	92071-081	GROMMET	1	H1-E/F
24	32112-006	PLUG	2	
25	35032-023	STAY, REAR FENDER	1	
26	411B0800	WASHER PLAIN 8MM	2	
27	461F0800	WASHER SPRING 8MM	2	
62				

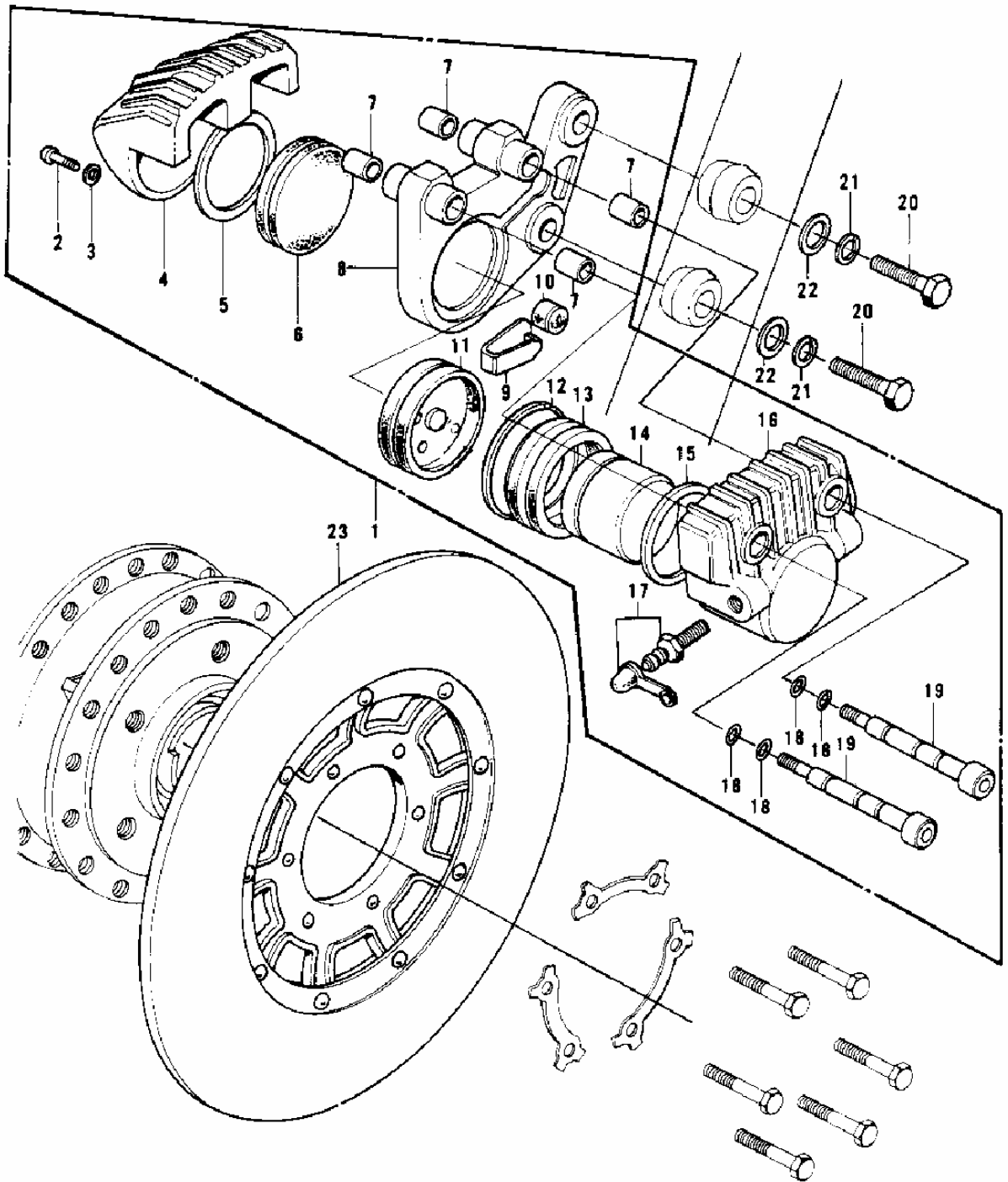
28	115G0820	BOLT, 8X20	2	
29	26002-036	WIRING HARNESS&BKT	1	H1-D
29	26002-044	BKT&HARNESS, WIRING	1	H1-E/F
29-1	32129-007	BKT, ELECT BASE	1	KH500- A8
30	92027-156	COLLAR 6.8X10X14.5	2	
31	92075-167	DAMPER RUBBER	2	
32	92022-125	WASHER 6.5X20X1.6T	2	
33	461F0600	WASHER SPRING 6MM	2	
34	112G0630	BOLT-UPSET	1	
35	464H0600	WASHER LOCK 6MM	1	
36	92001-1248	BOLT, HEX HEAD, 10X125	2	
37	32030-016	PLATE REAR ENG HOLDER	2	
38	92091-024	BOLT-ENG MOUNT, 10X274	5	
39	410B1000	WASHER PLAIN 10MM	5	
40	92015-1429	NUT, 10MM	5	
41	92025-048	SHIM-ENG FIT RR, 0.5MM	5	
41	92025-049	SHIM-ENG FIT RR, 0.8MM	AR	
41	92025-050	SHIM-ENG FIT RR, 1.0MM	AR	
41	92025-051	SHIM-ENG FIT RR, 1.6MM	AR	
41	92025-052	SHIM-ENG FIT RR, 2.0MM	AR	
42	92025-053	SHIM-ENG FIT FR, 0.5MM	5	
42	92025-054	SHIM-ENG FIT FR, 0.8MM	AR	
42	92025-055	SHIM-ENG FIT FR, 1.0MM	AR	
42	92025-056	SHIM-ENG FIT FR, 1.6MM	AR	
42	92025-057	SHIM-ENG FIT FR, 2.0MM	AR	
42	92025-058	SHIM-ENG FIT FR, 2.3MM	AR	
43	92075-278	DAMPER RUBBER, FUEL TK	1	KH500- A8
44	28001-026	REFLECTOR, REFLEX	2	KH500- A8
45	92094-011	DAMPER RUBBER, REFLECT	2	KH500- A8
46	112G0630	BOLT-UPSET	1	H1-D/E/F
46	112G0625	BOLT-UPSET	1	KH500- A8



FRONT

FRONT BRAKE (H1-B)

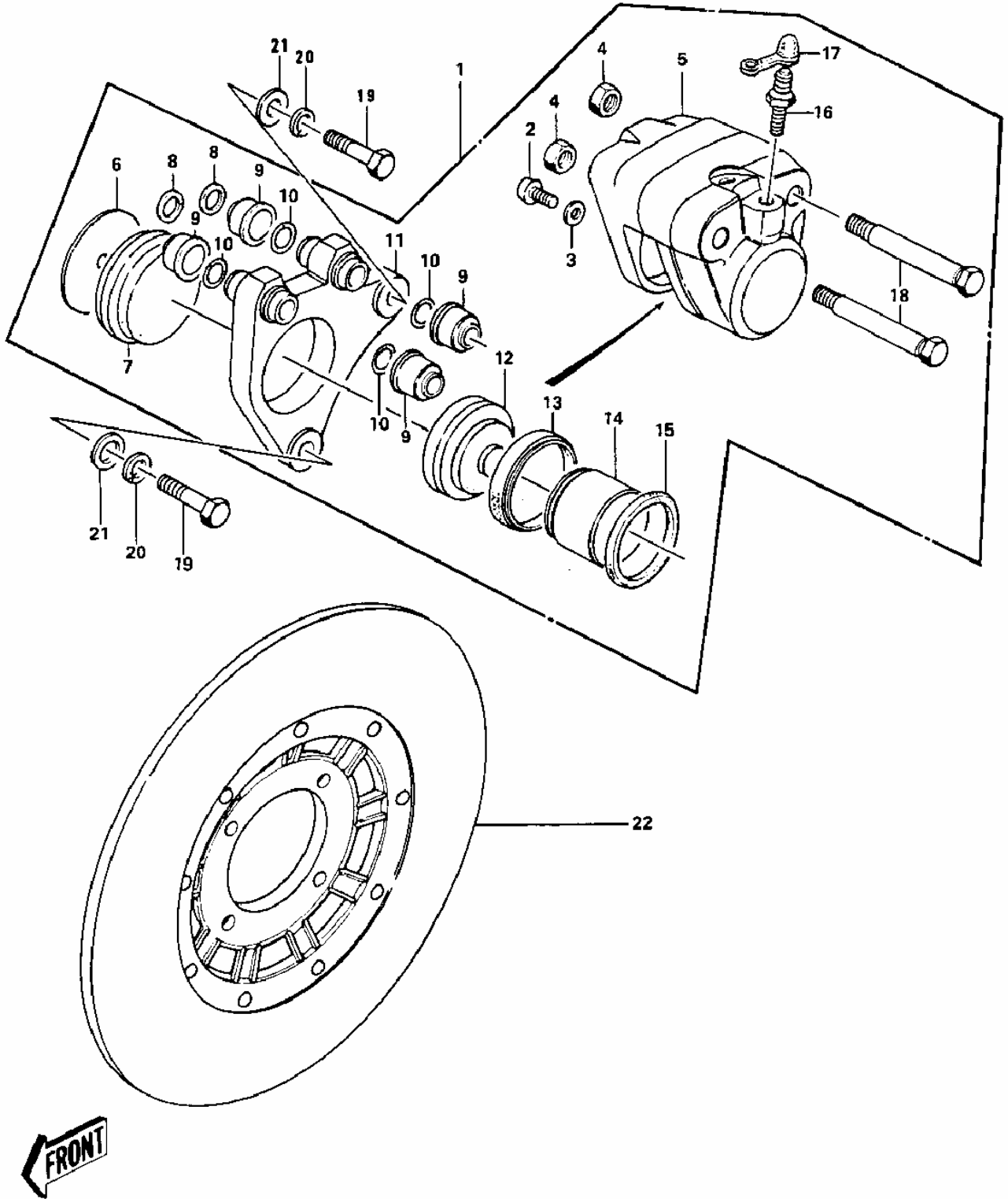
Ref #	Part #	Description	Qty	Spec Code
1	43041-001	CALIPER ASSY	1	
2	220B0612	SCREW PAN HEAD 6X12	1	
3	461F0600	WASHER SPRING 6MM	1	
4	43043-001	CALIPER B	1	
5	43071-001	RING-PAD B	1	
6	43051-001	PAD B	1	
7	43052-001	DUST SEAL-SHAFT	4	
8	43044-001	HOLDER-CALIPER	1	
9	43046-001	STOPPER-PAD A	1	
10	43047-001	BUSHING-RUBBER	1	
11	43082-001	PAD A	1	
12	43058-001	BAND-DUST SEAL	1	
13	43054-001	DUST SEAL-PISTON	1	
14	43048-001	PISTON-CALIPER	1	
15	43049-001	RING-PISTON	1	
16	43042-001	CALIPER A	1	
17	43085-001	BLEEDER SET	1	
18	43053-001	"O" RING, SHAFT	4	
19	43045-001	SHAFT	2	
20	43070-001	BOLT-HEX HEAD, 10X43	2	
21	461F1000	WASHER SPRING 10MM	2	
22	411B1000	WASHER PLAIN 10MM	2	
23	41080-001	DISC PLATE-FRONT BRK	1	
7.12.1	43073-002	REPAIR SET-CALIPER	1	



FRONT

FRONT BRAKE (H1-D/E/F)

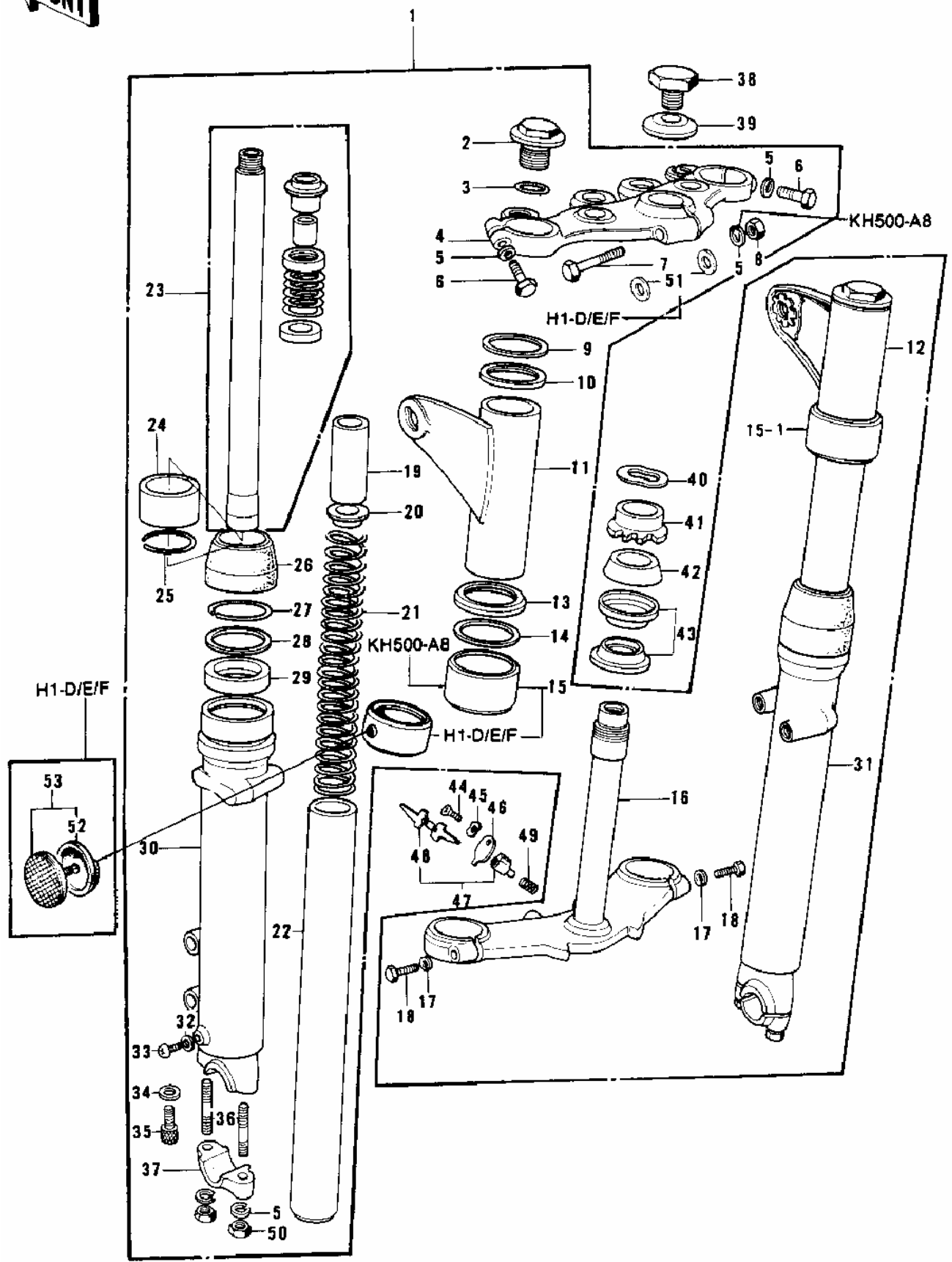
Ref #	Part #	Description	Qty	Spec Code
1	43041-001	CALIPER ASSY	1	
2	220B0612	SCREW PAN HEAD 6X12	1	
3	461F0600	WASHER SPRING 6MM	1	
4	43043-001	CALIPER B	1	
5	43071-001	RING-PAD B	1	
6	43051-001	PAD B	1	
7	43052-001	DUST SEAL-SHAFT	4	
8	43044-001	HOLDER-CALIPER	1	
9	43046-001	STOPPER-PAD A	1	
10	43047-001	BUSHING-RUBBER	1	
11	43082-001	PAD A	1	
12	43058-001	BAND-DUST SEAL	1	
13	43054-001	DUST SEAL-PISTON	1	
14	43048-001	PISTON-CALIPER	1	
15	43049-001	RING-PISTON	1	
16	43042-001	CALIPER A	1	
17	43085-001	BLEEDER SET	1	
18	43053-001	"O" RING, SHAFT	4	
19	43045-001	SHAFT	2	
20	43070-001	BOLT-HEX HEAD, 10X43	2	
21	461F1000	WASHER SPRING 10MM	2	
22	411B1000	WASHER PLAIN 10MM	2	
23	41080-001	DISC PLATE-FRONT BRK	1	
23	43073-002	REPAIR SET-CALIPER	1	



FRONT BRAKE (KH500-A8)

Ref #	Part #	Description	Qty	Spec Code
1	43041-030	CALIPER ASSY, FRONT	1	
2	220B0612	SCREW PAN HEAD 6X12	1	
3	461F0600	WASHER SPRING 6MM	1	
4	315B1000	NUT 10MM	2	
5	43042-008	CALIPER	1	
6	43040-004	SPACER	1	
7	43051-007	PAD B	1	
7	43050-5001	PAD SET, (FRONT)	1	INCLUDES PAD A
8	43088-002	PLUG	2	
9	43052-005	DUST SHILD, SHAFT	4	
10	43053-006	"O" RING	4	
11	43044-008	HOLDER, CALIPER	1	
12	43050-006	PAD A	1	
12	43050-5001	PAD SET, (FRONT)	1	INCLUDES PAD B
13	43054-003	DUST SEALD, RUBBER	1	
14	43048-006	PISTON, CALIPER	1	
15	43049-002	RING, PISTON SEAL	1	
16	43056-003	BREEDER	1	
16	43085-001	BLEEDER SET	1	INCLUDES REF. #17
17	43057-003	CAP, BREEDER	1	NOT REQUIRED WITH 43085-001
18	43045-006	BOLT	2	
19	92007-032	BOLT	2	
20	461F1000	WASHER SPRING 10MM	2	
21	410B1000	WASHER PLAIN 10MM	2	
22	41080-005	DISC PLATE, FRONT	1	

FRONT

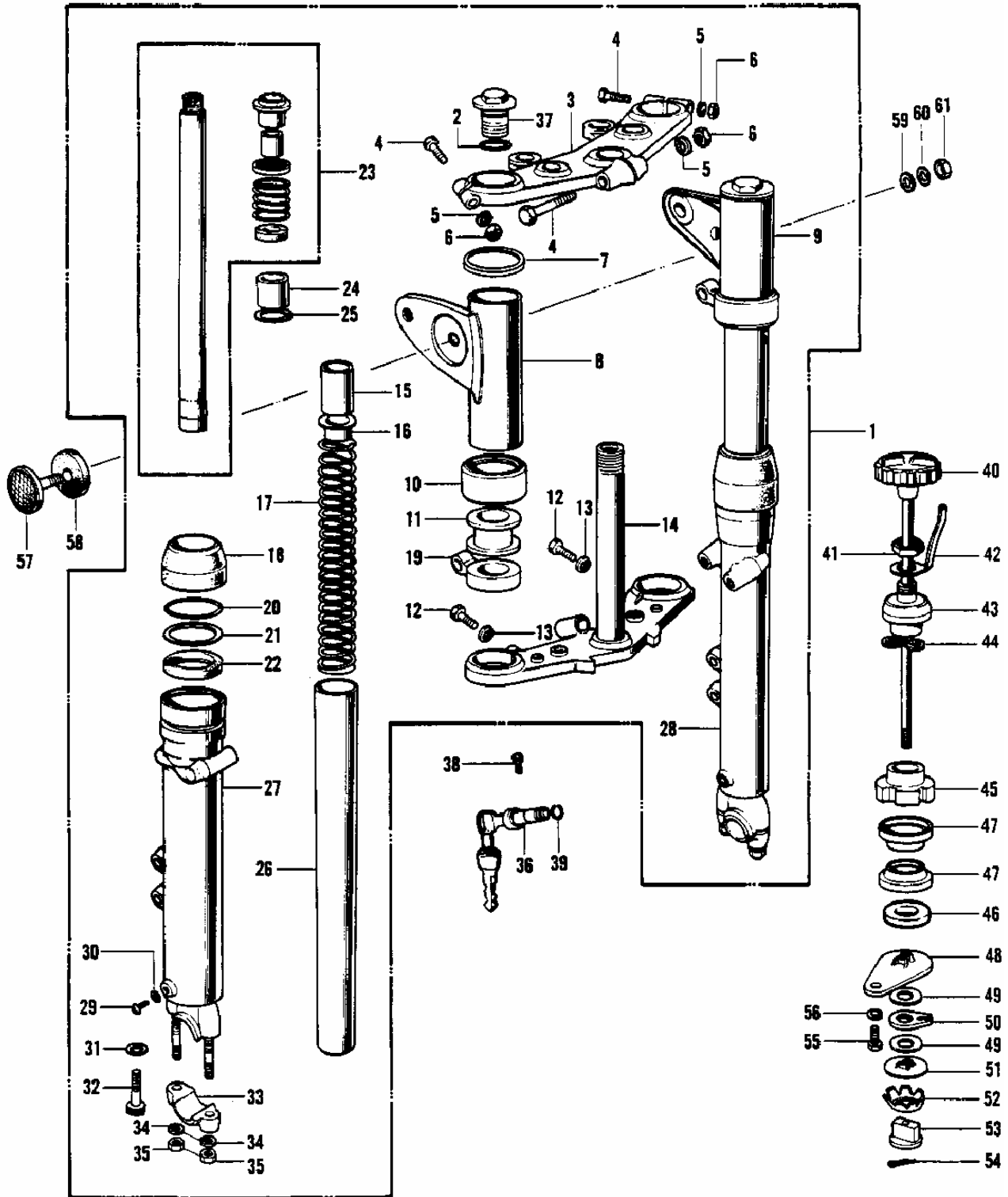


FRONT FORK ('73-'75 D/E/F & '76 A8)

Ref #	Part #	Description	Qty	Spec Code
1	44001-131	FORK-FRONT	1	H1-D
1	44001-131	FORK-FRONT	1	H1-E/F
1	44001-176	FORK-FRONT	1	KH500-A8
2	44062-003	BOLT-FORK TOP	2	
3	44046-015	'O' RING FORK TOP	2	
4	44039-048	HEAD, STEERING STEM	1	
5	461F0800	WASHER SPRING 8MM	6	H1-D/E/F
5	461F0800	WASHER SPRING 8MM	7	KH500-A8
6	44041-049	BOLT, HEX HEAD, 6MM	2	
7	44041-042	BOLT-STEERING STEM HD	1	
8	92015-1124	NUT, LOCK, 8MM	1	H1-D/E/F
8	92017-013	NUT, LOCK, 8MM	1	KH500-A8
9	44045-041	GASKET, FORK COVER	2	
10	44043-048	WASHER, FORK COVER	2	
11	44033-069	COVER -L.H.FORK	1	H1-D
11	44033-069	COVER -L.H.FORK	1	H1-E/F
11	44033-068	COVER, L.H FORK	1	KH500-A8
12	44034-069	COVER, R.H FORK	1	H1-D
12	44034-069	COVER, R.H FORK	1	H1-E/F
12	44034-068	COVER, R.H FORK	1	KH500-A8
13	44032-008	WASHER-FORK COVER	2	
14	44045-040	GASKET, FORK COVER	2	H1-D
14	44045-038	GASKET, FORK COVER	2	H1-E/F,KH500-A8
15	44064-014	GUIDE, L.H FORK COVER	1	H1-D/E/F
15	44064-025	GUIDE, FORK COVER	1	KH500-A8
15-1	44064-013	GUIDE, R.H FORK COVER	1	H1-D/E/F
15-1	44064-025	GUIDE, FORK COVER	1	KH500-A8
16	44037-053	STEM, STEERING	1	H1-D/E/F
16	44037-096	STEM, STEERING	1	KH500-A8
17	461F1200	WASHER SPRING 12MM	2	
18	92003-064	BOLT-HEX HEAD, 12X36	2	
19	44028-023	SPACER-FORK SPRING	2	
20	44029-019	GUIDE-FORK SPRING	2	
21	44026-031	SPRING-FORK	2	
22	44013-032	TUBE-FORK INNER	2	
23	44022-007	CYLINDER-FORK	2	H1-D
23	44023-006	CYLINDER-FORK	2	INCLUDES REF. #S 24 & 25
23	44022-027	CYLINDER-FORK	2	H1-E/F

23	44022-038	CYLINDER-FORK	2	KH500-A8
24	44018-003	PISTON FORK	2	H1-D USE FOR 44022-007
24	44018-009	PISTON, FORK	2	H1-E/F, KH500-A8
25	44044-008	CIRCLIP FORK PISTON	2	H1-D USE FOR 44022-007
25	44044-019	CIRCLIP, FORK PISTON	2	H1-E/F, KH500-A8
26	44010-021	DUST SHIELD-FORK	2	H1-D/E/F
26	44010-032	DUST SHEILD, FORK	2	KH500-A8
27	44044-012	CIRCLIP-OIL SEAL FIT	2	
29	92049-1216	SEAL-OIL, FORK OUTER P	2	H1-D/E/F
29	92049-1216	SEAL-OIL, FORK OUTER P	2	KH500-A8
30	44005-041	TUBE, LH, FORK OUTER	1	H1-D/E/F
30	44005-065	TUBE, LH, FORK OUTER	1	KH500-A8
31	44006-039	TUBE, RH, FORK OUTER	1	H1-D/E/F
31	44006-063	TUBE, RH, FORK OUTER	1	KH500-A8
32	44045-002	GASKET FORK DRAIN PLG	2	
33	220B0408	SCREW PAN HEAD 4X8	2	
34	44045-057	GASKET, FORK CYLINDER	2	
35	44041-040	BOLT-FORK CYLINDER	2	
36	92004-1009	STUD, 8X35	4	
37	44063-003	HOLDER-FRONT AXLE	2	H1-D/E/F
37	44063-014	HOLDER, FRONT AXLE	2	KH500-A8
38	92007-031	BOLT, STEERG STEM HEAD	1	
39	92022-230	WASHER, STEERG STM HD	1	
40	46100-003	WASHER, WAVE	1	
41	92090-007	NUT STEERING STEM LCK	1	
42	46098-016	CAP, STEERING STEM	1	
43	92047-006	CONE STRNG STEM BERNG	2	
44	92008-007	SCREW-TAPPING	1	
45	92097-003	WASHER	1	
46	27031-002	CAP, STEERING LOCK	1	H1-D
46	27031-004	CAP, STEERING LOCK	1	H1-E/F, KH500-A8
47	27016-030	LOCK ASSY-STEERING	1	H1-D
47	27016-038	LOCK ASSY, STEERING	1	H1-E/F, KH500-A8
48	27018-016-65	KEY SET, #265	AR	H1-D
48	27018-016-79	KEY SET, #279	AR	H1-D
48	27008-055-11	KEY SET, #911	AR	H1-E/F, KH500-A8
48	27008-055-25	KEY SET, #925	AR	H1-E/F, KH500-A8
49	27032-001	SPRING-STEERING LOCK	1	
50	311B0800	NUT, 8MM	4	H1-D/E/F
50	92017-013	NUT, LOCK, 8MM	4	KH500-A8
51	410B0800	WASHER PLAIN 8MM	2	H1-D/E/F
52	28016-002	DAMPER RUBBER-REFLEX	2	H1-D/E/F
53	28001-029	REFLECTOR,REFLEX,FRNT	2	H1-D/E/F
72				

FRONT

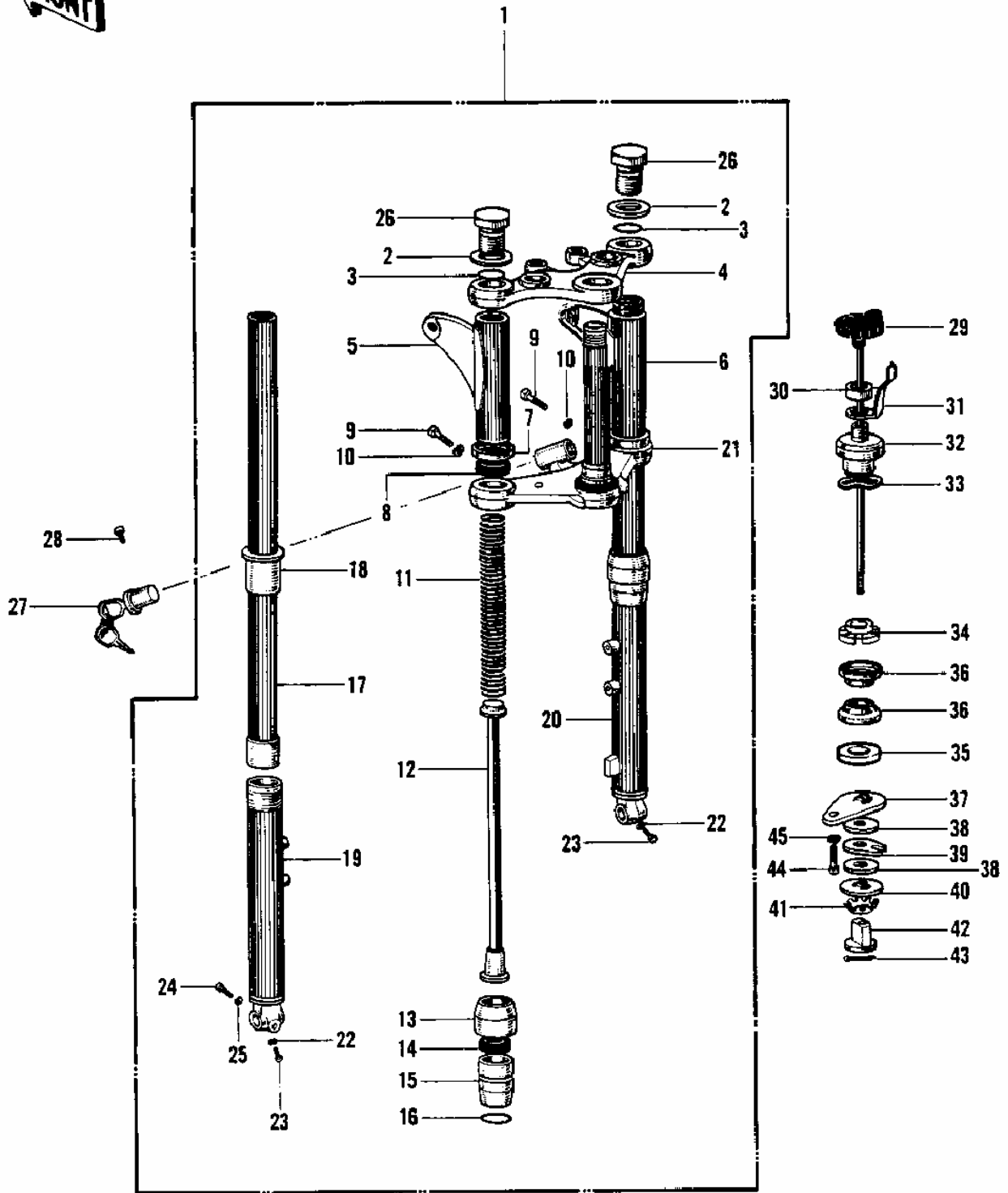


FRONT FORK (H1-B)

Ref #	Part #	Description	Qty	Spec Code
1	44001-087	FORK-FRONT	1	
2	44046-015	'O' RING FORK TOP	2	
3	44039-040	HEAD-STEERING STEM	1	
4	44041-038	BOLT-HEX HEAD, 8X55	3	
5	461F0800	WASHER SPRING 8MM	3	
6	311N0800	NUT, 8M/M	3	
7	44032-008	WASHER-FORK COVER	2	
8	44033-043-21	COVER, L.H, FORK, F.BLCK	1	
9	44034-042-21	COVER, R.H FORK, F.BLK	1	
10	44064-002	GUIDE-FORK COVER	2	
11	44045-035	GASKET -FORK COVER	2	
12	113B1236A	BOLT-HEX HEAD, 12X36	2	
13	461F1200	WASHER SPRING 12MM	2	
14	44037-041	STEM-STEERING	1	
15	44028-023	SPACER-FORK SPRING	2	
16	44029-019	GUIDE-FORK SPRING	2	
17	44026-031	SPRING-FORK	2	
18	44010-021	DUST SHIELD-FORK	2	
19	23051-031	BRACKET-TURN SIG LAMP	2	
20	44044-012	CIRCLIP -OIL SEAL FIT	2	
21	44043-044	WASHER-OIL SEAL FIT	2	
22	92049-1216	SEAL-OIL, FORK OUTER P	2	
23	44022-007	CYLINDER-FORK	2	
23	44023-006	CYLINDER-FORK	2	INCLUDES REF #24 & 25
24	44018-003	PISTON FORK	2	USE WITH 44022-007
24	44018-009	PISTON, FORK	2	USE FOR 44023-006
25	44044-008	CIRCLIP FORK PISTON	2	USE WITH 44022-007
25	44044-019	CIRCLIP, FORK PISTON	2	USE FOR 44023-006
26	44013-032	TUBE-FORK INNER	2	
27	44005-041	TUBE, LH, FORK OUTER	1	
28	44006-039	TUBE, RH, FORK OUTER	1	
29	220B0408	SCREW PAN HEAD 4X8	2	
30	44045-002	GASKET FORK DRAIN PLG	2	
31	44045-057	GASKET, FORK CYLINDER	2	
32	44041-040	BOLT-FORK CYLINDER	2	
74				

33	44063-003	HOLDER-FRONT AXLE	2
34	461F0800	WASHER SPRING 8MM	4
35	311B0800	NUT, 8MM	4
36	27016-024	LOCK ASSY-STEERING	1
37	44062-003	BOLT-FORK TOP	2
38	92099-001	SCREW RIVET	1
39	92033-024	CIRCLIP -STEERING LOCK	1
40	46101-006	KNOB-STEERING DAMPER	1
41	315N1200A	NUT 12MM	1
42	46126-001	SPRING STRG DAMP KNOB	1
43	92090-020	BOLT-STEERING STEM	1
44	46100-002	WASHER-WAVE	1
45	92090-007	NUT STEERING STEM LCK	1
46	46098-016	CAP, STEERING STEM	1
47	92047-006	CONE STRNG STEM BERNG	2
48	46106-005	PLATE STRG DAMP STEEL	1
49	46104-005	PLATE STRG DAMP FRCTN	1
50	46105-005	PLATE STRG DAMP ANCHR	1
51	46106-006	PLATE STRG DAMP STEEL	1
52	46124-006	SPRING-STEERING DAMP	1
53	46125-005	NUT STRG DAMPER GUIDE	1
54	550D1615	PIN COTTER 1.6X15	1
55	114G0812	BOLT SMALL	1
56	461F0800	WASHER SPRING 8MM	1
57	28012-006	REFLECTOR-REFLEX, FRNT	2
58	92094-009	DAMPER RUBBER-REFLCTR	2
59	411B0500	WASHER PLAIN 5MM	2
60	461F0500	WASHER SPRING 5MM	2
61	311B0500	NUT, 5MM	2

FRONT

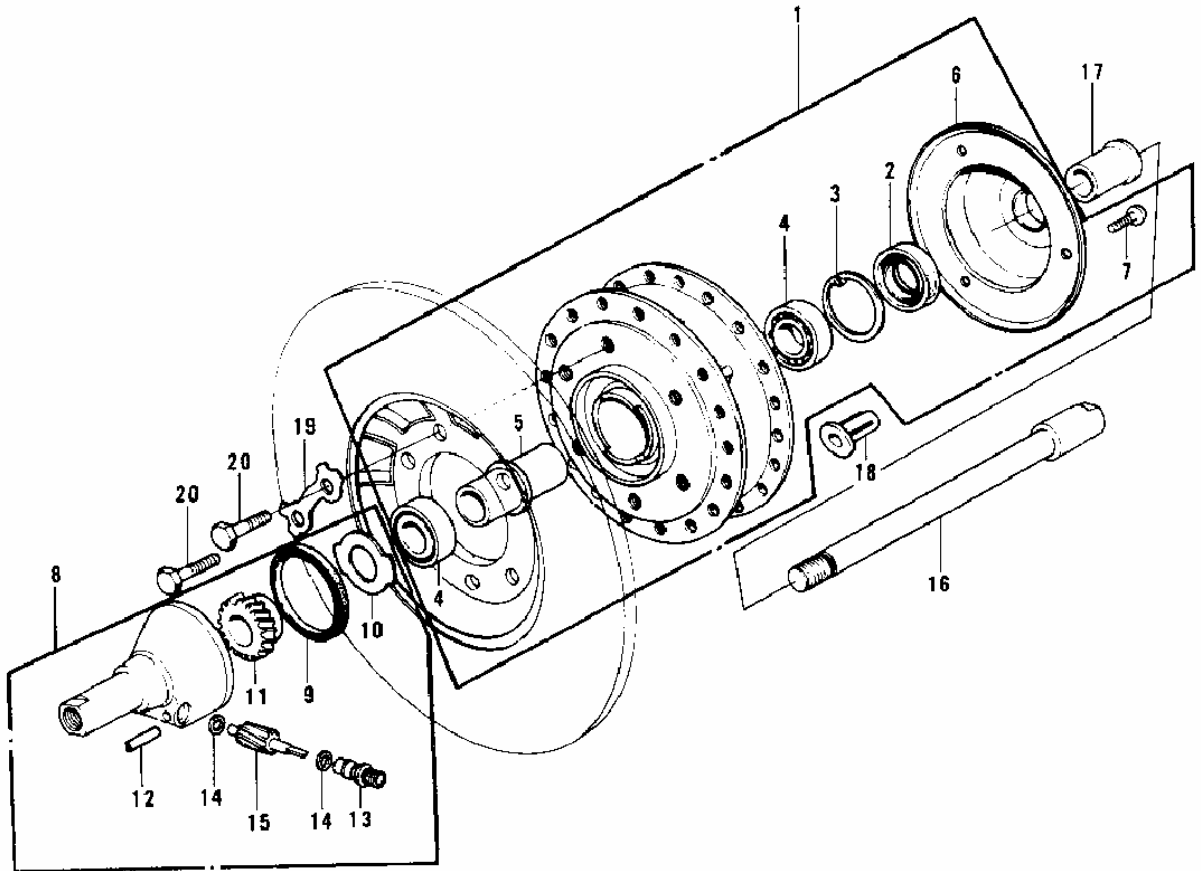


FRONT FORK (H1/A/C)

Ref #	Part #	Description	Qty	Spec Code
1	44001-043-10	FORK-FRONT, BLACK	1	BLACK FORK COVERS
2	44043-033	WASHER FORK TOP	2	
3	44046-015	'O' RING FORK TOP	2	
4	44039-025	HEAD STEERING STEM	1	
5	44033-024-10	COVER-L.H FORK, BLACK	1	'70 H1/H1-A/C
5	44033-024-42	COVER LH FORK-SILVER	1	'69 H1
6	44034-023-10	COVER-R.H FORK, BLACK	1	'70 H1/H1-A/C
6	44034-023-42	COVER RH FORK-SILVER	1	'69 H1
7	44043-034	WASHER FORK COVER	2	
8	44045-029	GASKET FORK COVER	2	
9	92001-1252	BOLT, HEX HEAD 10X35	2	
10	461F1000	WASHER SPRING 10MM	2	
11	44026-022	SPRING FORK	2	
11	44026-031	SPRING-FORK	2	
12	44028-015	HOLDER FORK SPRING	2	
13	44010-017	DUST SHIELD	2	
14	44009-020	OIL SEAL, FORK	2	
15	44007-015	NUT FORK OUTER TUBE	2	
16	44046-016	'O' RING OUTER TUBE	2	
17	44013-025	TUBE-FORK INNER	2	
18	44015-011	GUIDE FORK INNER TUBE	2	
19	44005-020	TUBE, LH, FORK OUTER	1	
20	44006-019	TUBE, RH, FORK OUTER	1	
21	44037-024	STEM STEERING	1	
22	44045-002	GASKET FORK DRAIN PLG	2	
23	220B0408	SCREW PAN HEAD 4X8	2	
24	115B0832	BOLT-SMALL-UPSET	1	
25	461F0800	WASHER SPRING 8MM	1	
26	44041-021	BOLT FORK TOP	2	
27	27016-017	LOCK ASSY STEERING	1	
28	92099-001	SCREW RIVET	1	
29	46101-004	KNOB STEERING DAMPER	1	
30	315N1200A	NUT 12MM	1	
31	46126-001	SPRING STRG DAMP KNOB	1	
32	92090-015	NUT STEERING STEM	1	

33	46100-001	WASHER STEERING STEM	1
34	92090-007	NUT STEERING STEM LCK	1
35	46098-016	CAP, STEERING STEM	1
36	92047-006	CONE STRNG STEM BERNG	2
37	46106-005	PLATE STRG DAMP STEEL	1
38	46104-005	PLATE STRG DAMP FRCTN	2
39	46105-005	PLATE STRG DAMP ANCHR	1
40	46106-006	PLATE STRG DAMP STEEL	1
41	46124-006	SPRING-STEERING DAMP	1
42	46125-005	NUT STRG DAMPER GUIDE	1
43	550D1615	PIN COTTER 1.6X15	1
44	114G0812	BOLT SMALL	1
45	461F0800	WASHER SPRING 8MM	1

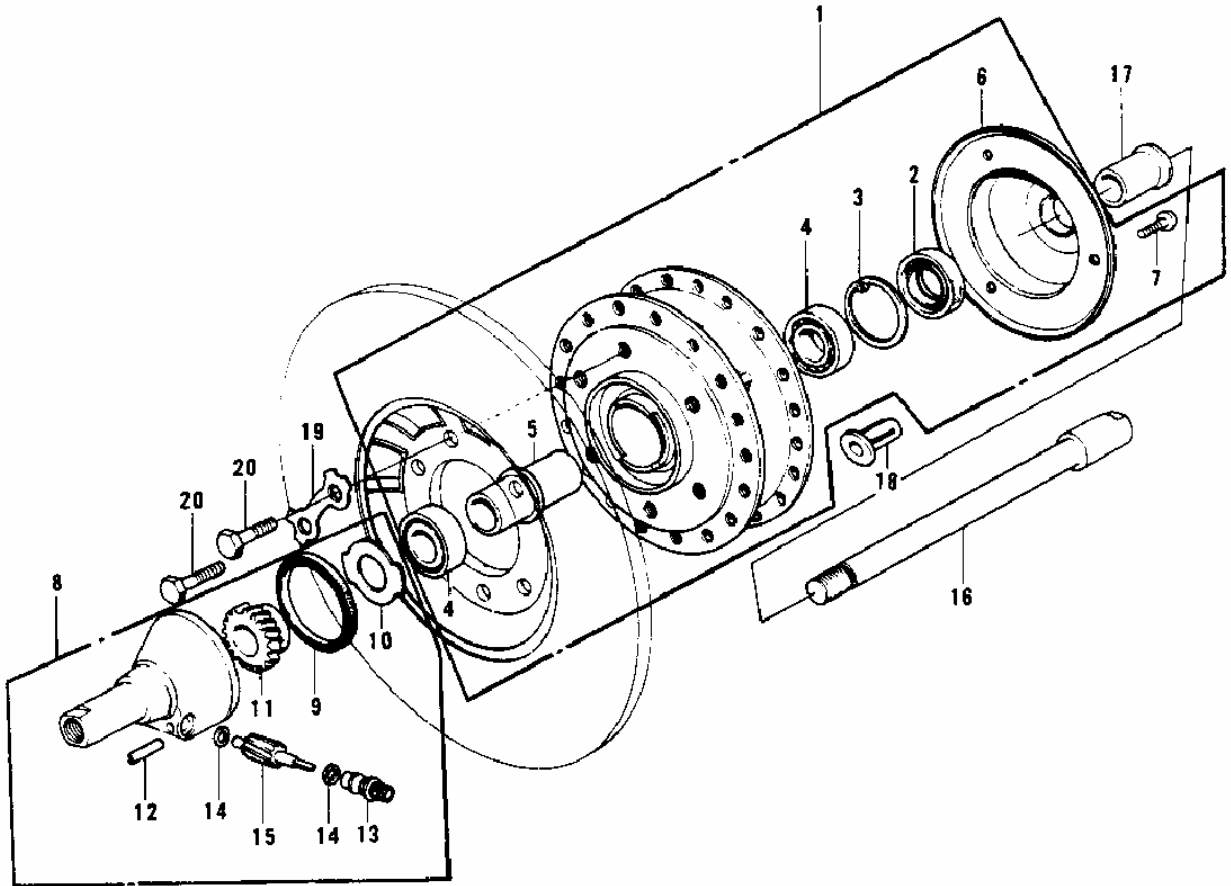
FRONT



FRONT HUB (H1-B)

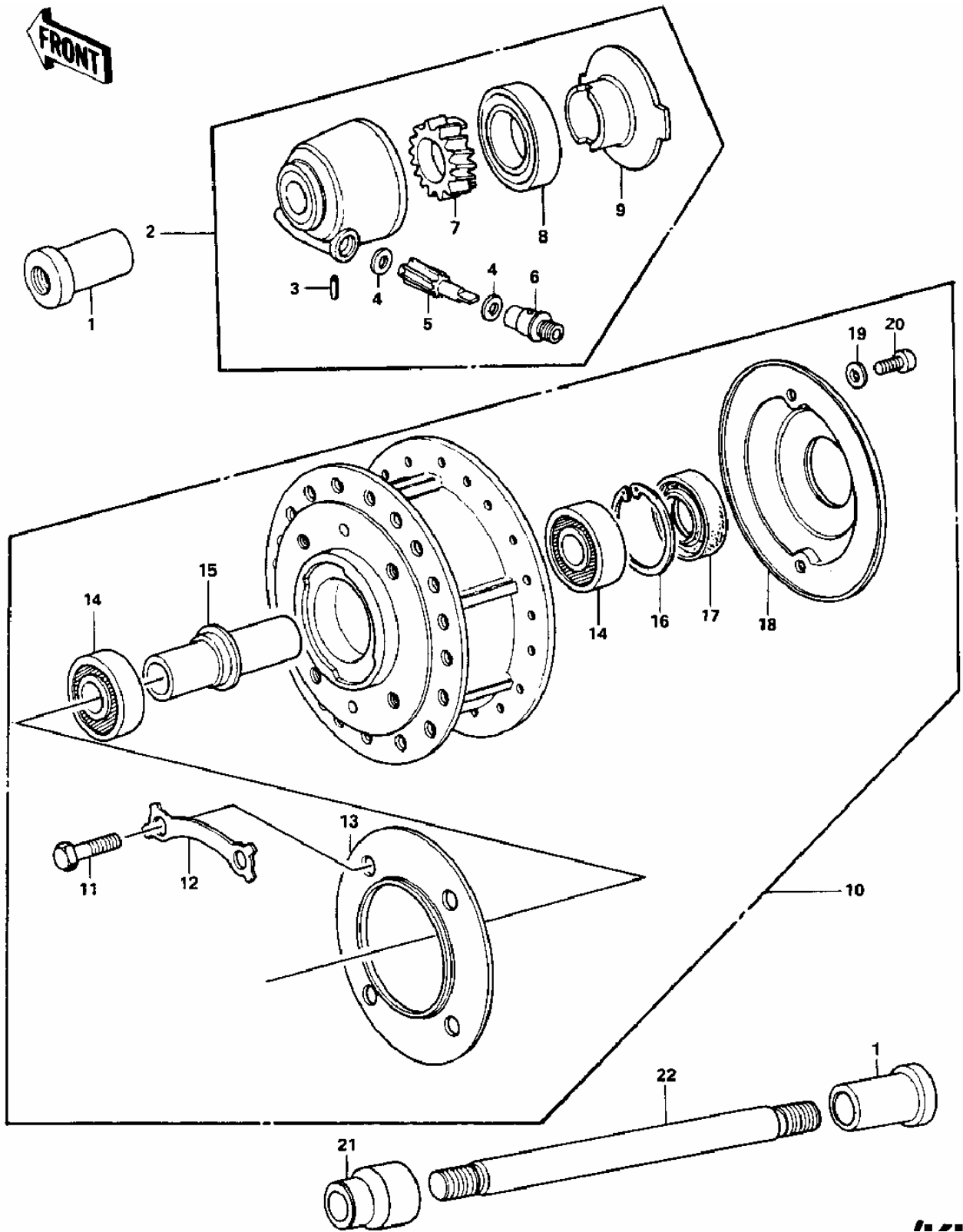
Ref #	Part #	Description	Qty	Spec Code
1	41034-021-21	DRUM-ASSY, FR BRK,BLK	1	
2	92052-003	OIL SEAL-COUPLING	1	
3	92033-1040	RING, SNAP, 43.5M/M	1	
4	601B6203	BEARING BALL #6203	2	
5	41039-019	COLLAR -FRONT DRUM	1	
6	41042-009	COVER-BRAKE DRUM DUST	1	
7	222E0512A	SCREW OVL CNTSNK 5X12	3	
8	41078-001	CASE ASSY-SPEED GEAR	1	
9	92050-046	OIL SEAL, VC54656	1	
10	41064-007	RECEIVER-SPEEDO GEAR	1	
11	41059-016	GEAR-SPEEDOMETER	1	
12	41082-001	PIN, SPRING	1	
13	41062-001	BUSH SPEEDMETER CABLE	1	
14	41063-001	WASHER THRST SPD PINI	2	
15	41060-012	PINION-SPEEDOMETER	1	
16	41068-036	AXLE-FRONT HUB	1	
17	41069-018	COLLAR -FRONT AXLE	1	
18	92102-006	CAP-FRONT DRUM HOLE	6	
19	92088-014	WASHER-LOCK, 8MM	3	
20	92001-104	BOLT-HEX HEAD, 8X28	6	

FRONT



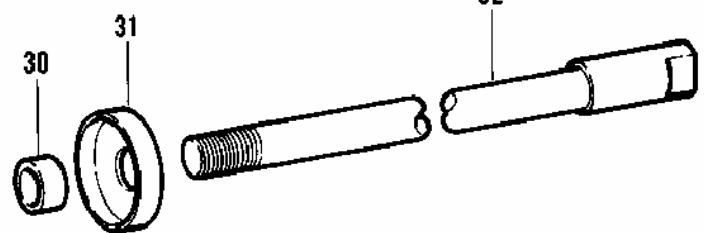
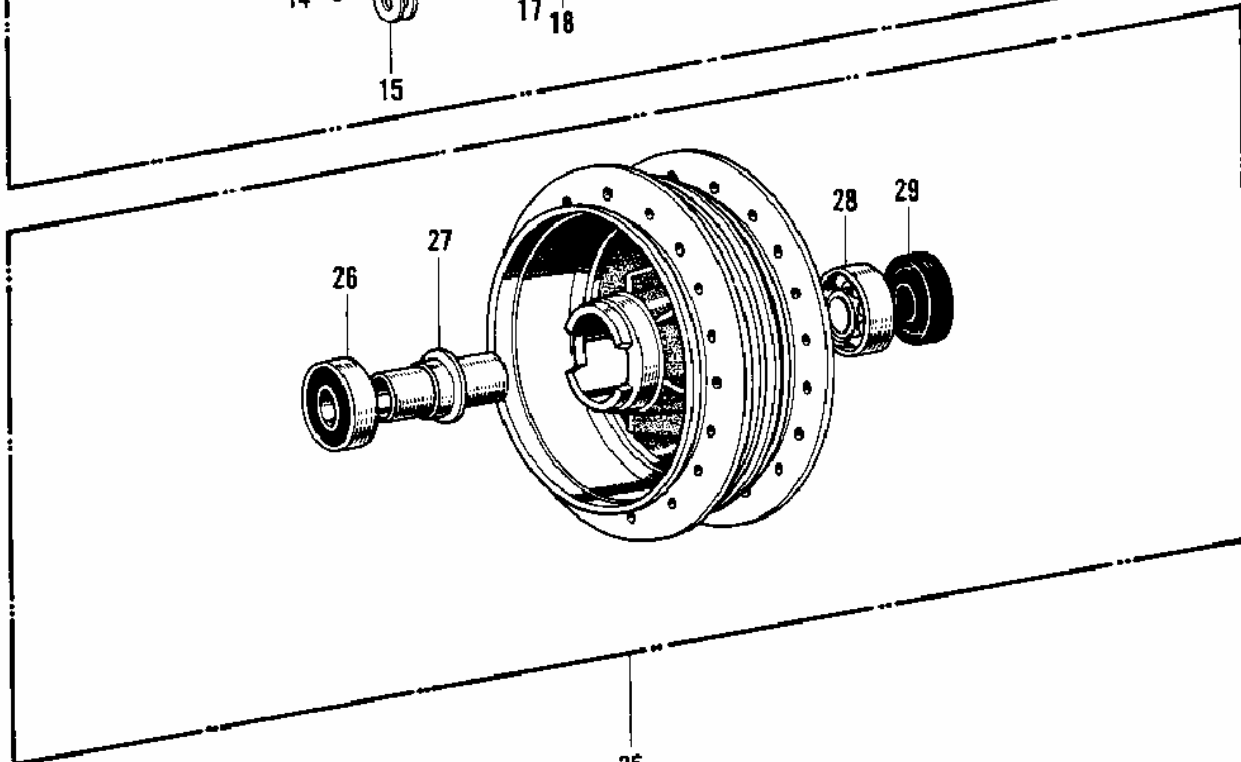
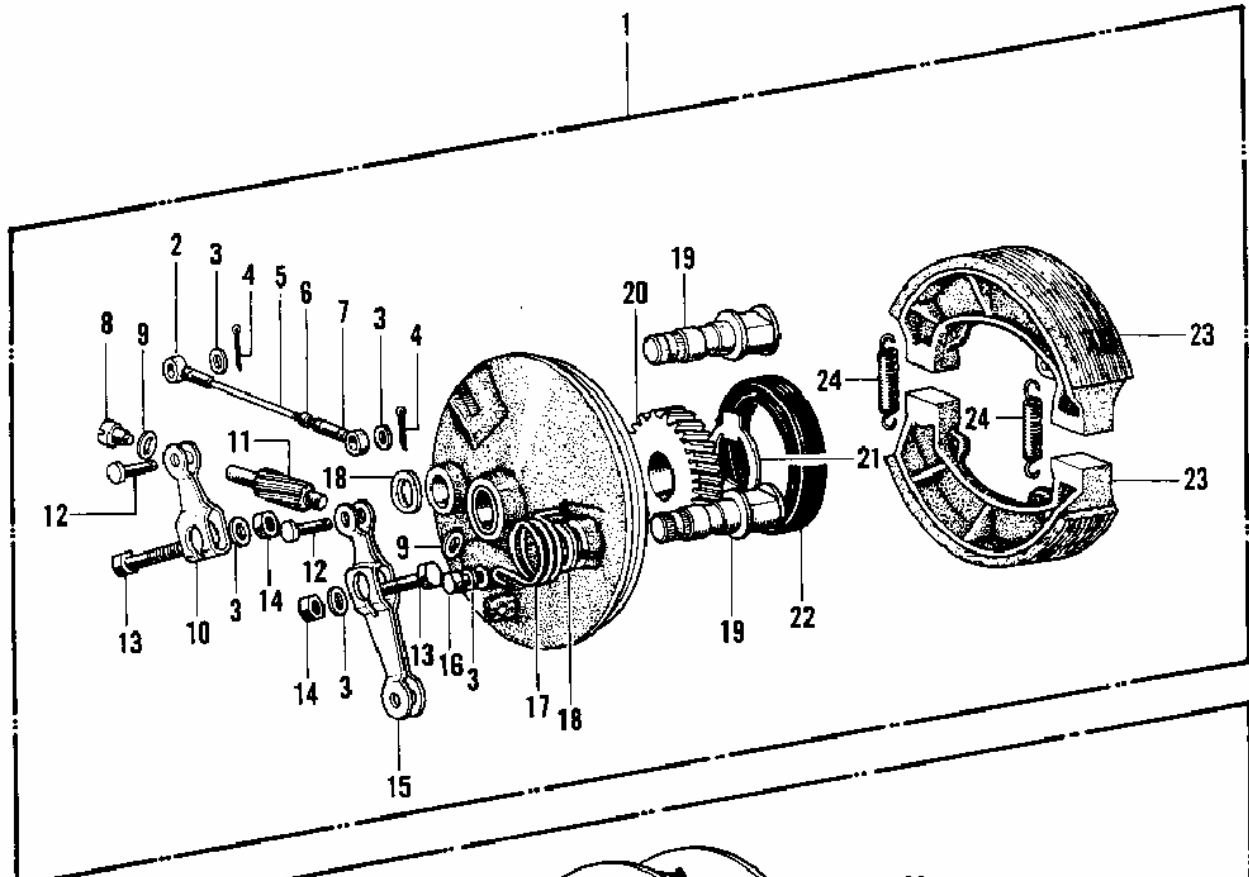
FRONT HUB (H1-D/E/F)

Ref #	Part #	Description	Qty	Spec Code
1	41034-021-21	DRUM-ASSY,FR BRK,BLK	1	
2	92052-003	OIL SEAL-COUPLING	1	
3	92033-1040	RING, SNAP,43.5M/M	1	
4	601B6203	BEARING BALL #6203	2	
5	41039-019	COLLAR -FRONT DRUM	1	
6	41042-009	COVER-BRAKE DRUM DUST	1	
7	222E0512A	SCREW OVL CNTSNK 5X12	3	
8	41078-001	CASE ASSY-SPEED GEAR	1	
9	92050-046	OIL SEAL,VC54656	1	
10	41064-007	RECEIVER-SPEEDO GEAR	1	
11	41059-016	GEAR-SPEEDOMETER	1	
12	41082-001	PIN, SPRING	1	
13	41062-001	BUSH SPEEDMETER CABLE	1	
14	41063-001	WASHER THRST SPD PINI	2	
15	41060-012	PINION-SPEEDOMETER	1	
16	41068-036	AXLE-FRONT HUB	1	
17	41069-018	COLLAR -FRONT AXLE	1	
18	92102-006	CAP-FRONT DRUM HOLE	6	
19	92088-014	WASHER-LOCK, 8MM	3	
20	92001-104	BOLT-HEX HEAD, 8X28	6	



FRONT HUB (KH500-A8)

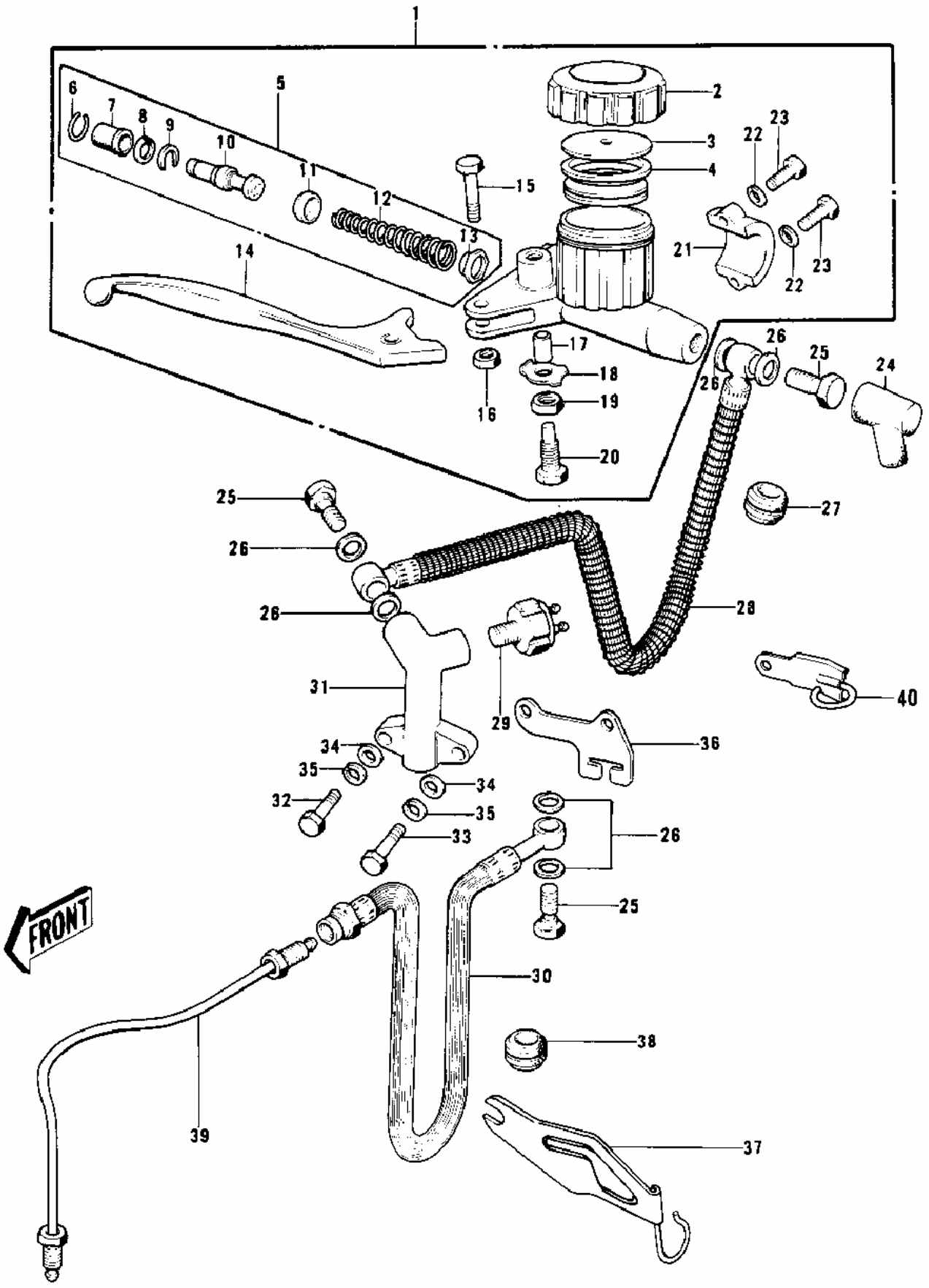
Ref #	Part #	Description	Qty	Spec Code
1	41069-033	COLLAR,FRONT AXLE	2	
2	41078-008	GEAR BOX ASSY	1	
3	41082-001	PIN, SPRING	1	
4	41063-001	WASHER THRST SPD PINI	2	
5	41060-017	PINION,SPEEDOMETER	1	
6	41062-005	BUSH,SPEEDMETER CABLE	1	
7	41059-026	GEAR,SPEEDOMETER	1	
8	92049-1057	OIL SEAL,BJN30427-C3	1	
9	41064-013	RECEIVER, GEAR	1	
10	41034-041	DRUM-ASSY, FR BRK	1	
11	92001-158	BOLT	4	
12	92088-023	WASHER, LOCK	2	
13	41042-014	DUST COVER	1	
14	601B6203	BEARING BALL #6203	2	
15	41039-028	COLLAR, BRG	1	
16	92033-1040	RING, SNAP, 43.5M/M	1	
17	654A254008	OIL SEAL	1	
18	41042-016	DUST COVER	1	
19	410B0500	WASHER PLAIN 5MM	2	
20	220B0512	SCREW PAN HEAD 5X12	2	
21	41069-032	COLLAR, FRONT AXLE	1	
22	41068-049	AXLE, FRONT	1	



FRONT →

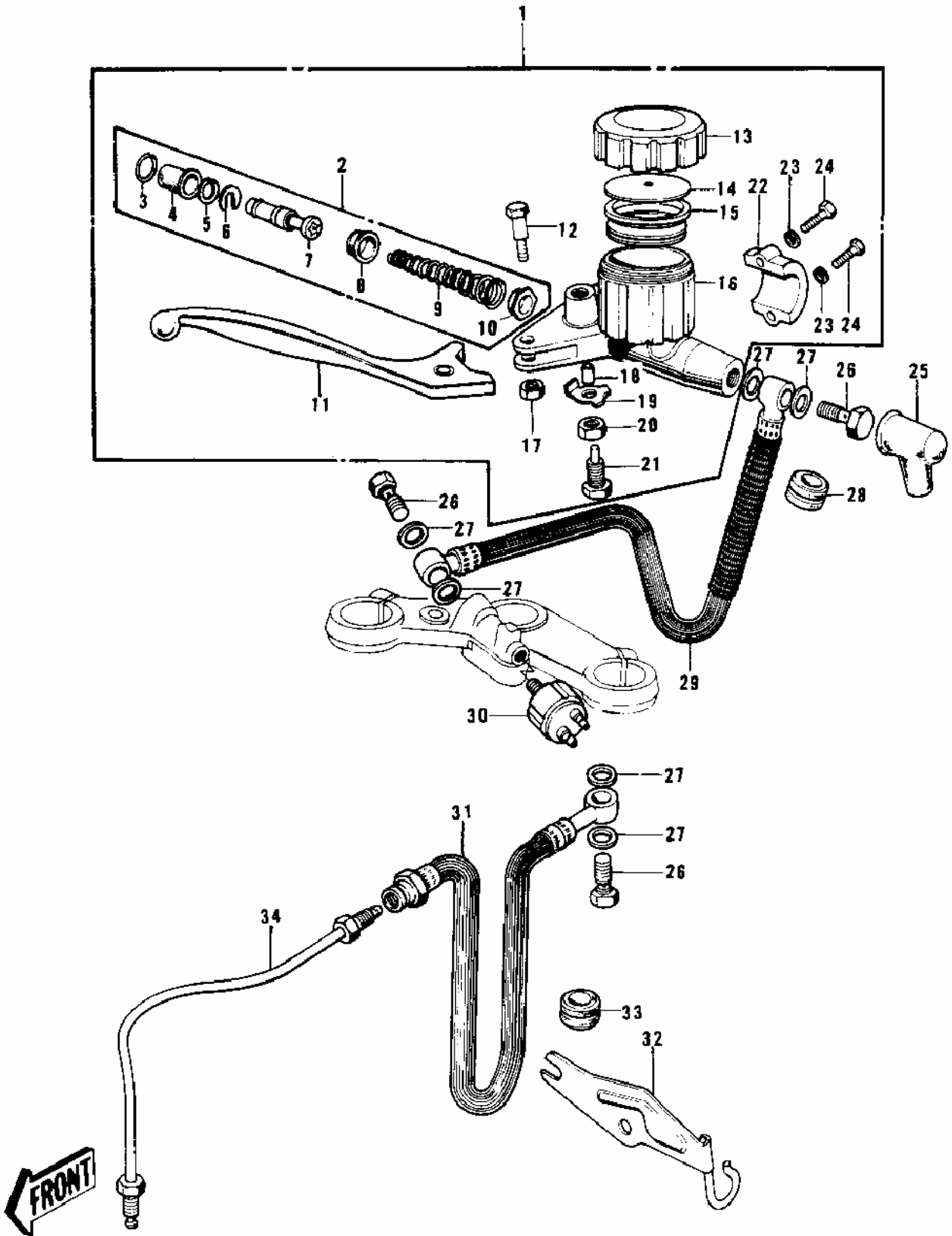
FRONT HUB/BRAKE (H1/A/C)

Ref #	Part #	Description	Qty	Spec Code
1	41035-018	PANEL-ASY, FR BRK	1	
2	41058-009	ROD END, BRK CONNECT	1	
3	411B0600	WASHER PLAIN 6MM	5	
4	550D1210	PIN COTTER 1.2X10	2	
5	41057-011	ROD BRK CAM LEV CONCT	1	
6	311B0500	NUT, 5MM	1	
7	41058-008	ROD END, BRK CONNECT	1	
8	41062-003	BUSH SPEDMETER PINION	1	12T
9	41063-003	WASHER PINION THRUST	2	
10	41053-012	LEVER FRT BRK CAM 2ND	1	
11	41060-009	PINION SPEEDOMETER	1	
12	41055-003	PIN BRAKE CONNECT ROD	2	
13	112G0630	BOLT-UPSET	2	
14	311B0600	NUT 6MM	2	
15	41053-011	LEVER FRT BRK CAM 1ST	1	
16	112G0618	BOLT-UPSET	1	
17	41056-003	SPRING BRAKE CAM LEV	1	
18	41051-001	DUST SHIELD BRAKE CAM	2	
19	41050-007	CAM SHAFT FRONT BRAKE	2	
20	41059-010	GEAR SPEEDOMETER	1	35T
21	41064-005	RECIEVER SPEED GEAR	1	
22	92050-026	OIL SEAL	1	
23	41048-007	SHOE BRAKE	2	
24	41049-012	SPRING, BRAKE SHOE	2	
25	41034-013	DRUM-ASSY, FR BRK	1	
26	601B6303Z	BEARING BALL #6303Z	1	
27	41039-015	SPACER FR HUB BEARING	1	
28	601-B6303	UNAVAILABLE IN PRICE BOOK	1	
29	654A254708	OIL SEAL FRONT AXLE	1	
30	41069-009	COLLAR AXLE OIL SEAL	1	
31	41042-005	DUST SHIELD FRONT HUB	1	
32	41068-020	AXLE FRONT	1	



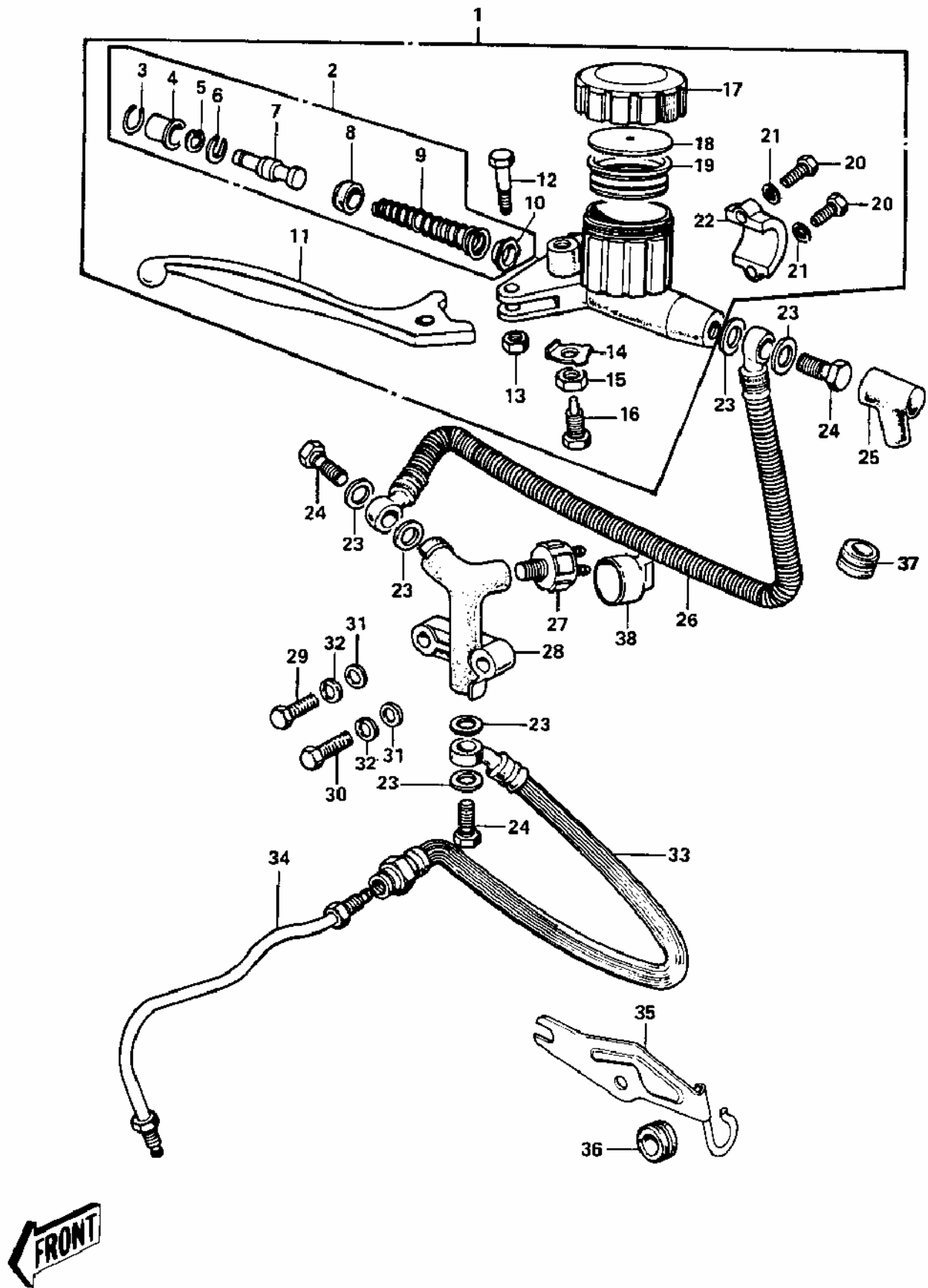
FRONT MASTER CYLINDER (H1-B)

Ref #	Part #	Description	Qty	Spec Code
1	43015-032	CYLINDER ASSY, MASTER	1	
2	43026-003	CAP, OIL CUP	1	
3	43027-001	PLATE-MASTER CYLINDER	1	
4	43028-001	DIAPHRAGM	1	
5	43073-001	REPAIR SET-MASTER CYL	1	
6	43025-001	STOPPER-BOOTS	1	
7	43024-001	BOOTS	1	
8	481J1800	CIRCLIP, 18MM	1	
9	43022-001	STOPPER-PISTON	1	
10	43072-001	PISTON ASSY	1	
11	43019-001	CUP-PRIMARY	1	
12	43018-001	SPRINGASSY-RETURN	1	
13	43017-001	VALVE ASSY-CHECK	1	
14	43029-003	LEVER, FRONT BRAKE	1	
15	43033-001	BOLT -LEVER FITTING	1	
16	312N0600	NUT, 6MM	1	
17	43074-001	TUBE	1	
18	43031-001	WASHER-LOCK, 8MM	1	
19	314N0800	NUT, 8MM	1	
20	43030-002	BOLT -LEVER ADJUST	1	
21	43034-001	HOLDER-MASTER CYL	1	
22	411B0600	WASHER PLAIN 6MM	2	
23	110N0625	BOLT HEX HEAD 6X25	2	
24	49006-1041	BOOT, DUST	1	
25	92002-1888	BOLT, OIL, L=23	3	
26	43067-001	WASHER-OIL BOLT	6	
27	43064-006	DAMPER RUBBER, CYL HSE	1	
28	43059-001	HOSE-FRONT BRAKE	1	
29	43065-001	SWITCH-FRONT BRAKE	1	
30	43059-1262	HOSE-BRAKE, L=350	1	
31	43061-001	JOINT-THREE WAY	1	
32	112N0620	BOLT-UPSET	1	
33	110N0632	BOLT -HEX HEAD, 6X32	1	
34	411B0600	WASHER PLAIN 6MM	2	
35	461F0600	WASHER SPRING 6MM	2	
36	43062-001	GUIDE HOSE	1	
37	43063-001	BRACKET -BRAKE HOSE	1	
38	43064-001	GROMMET -HOSE BRACKET	1	
39	43060-001	PIPE-FRONT BRAKE	1	
40	43063-002	BRACKET -BRAKE HOSE	1	



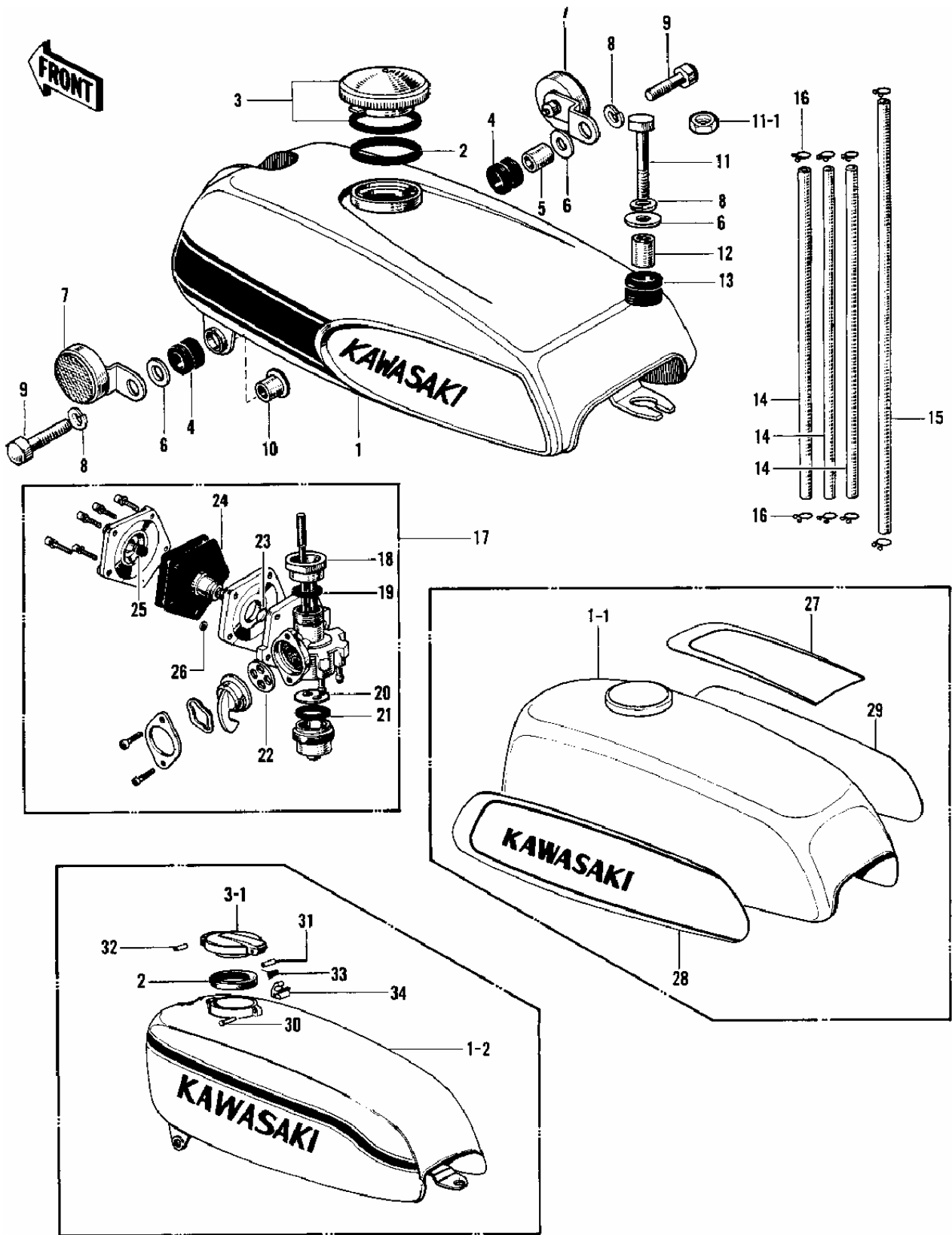
FRONT MASTER CYLINDER (H1-D/E/F)

Ref #	Part #	Description	Qty	Spec Code
1	43015-032	CYLINDER ASSY, MASTER	1	H1-D
1	43015-032	CYLINDER ASSY, MASTER	1	H1-E/F
1	43015-032	CYLINDER ASSY, MASTER	1	
2	43073-001	REPAIR SET -MASTER CYL	1	
3	43025-001	STOPPER-BOOTS	1	
4	43024-001	BOOTS	1	
5	481J1800	CIRCLIP, 18MM	1	
6	43022-001	STOPPER-PISTON	1	
7	43072-001	PISTON ASSY	1	
8	43019-001	CUP-PRIMARY	1	
9	43018-001	SPRING ASSY-RETURN	1	
10	43017-001	VALVE ASSY-CHECK	1	
11	43029-003	LEVER,FRONT BRAKE	1	
12	43033-001	BOLT-LEVER FITTING	1	
13	43026-003	CAP, OIL CUP	1	
14	43027-001	PLATE-MASTER CYLINDER	1	
15	43028-001	DIAPHRAGM	1	
16	43016-002	BODY, MASTER CYLINDER	1	
17	312N0600	NUT, 6MM	1	
18	43074-001	TUBE	1	
19	43031-001	WASHER -LOCK, 8MM	1	
20	314N0800	NUT, 8MM	1	
21	43030-002	BOLT-LEVER ADJUST	1	
22	43034-001	HOLDER-MASTER CYL	1	
23	411B0600	WASHER PLAIN 6MM	2	
24	110N0625	BOLT HEX HEAD 6X25	2	
25	49006-1041	BOOT, DUST	1	
26	92002-1888	BOLT, OIL, L=23	3	
27	43067-001	WASHER -OIL BOLT	6	
28	43064-005	DAMPER RUBBER	1	
29	43059-009	HOSE, CYLINDER BRAKE	1	
30	43065-001	SWITCH-FRONT BRAKE	1	
31	43059-1262	HOSE-BRAKE, L=350	1	
32	43063-001	BRACKET-BRAKE HOSE	1	
33	43064-001	GROMMET-HOSE BRACKET	1	
34	43060-001	PIPE-FRONT BRAKE	1	



FRONT MASTER CYLINDER (KH500-A8)

Ref #	Part #	Description	Qty	Spec Code
1	43015-032	CYLINDER ASSY, MASTER	1	
2	43073-001	REPAIR SET -MASTER CYL	1	
3	43025-001	STOPPER-BOOTS	1	
4	43024-001	BOOTS	1	
5	481J1800	CIRCLIP, 18MM	1	
6	43022-001	STOPPER-PISTON	1	
7	43072-001	PISTON ASSY	1	
8	43019-001	CUP-PRIMARY	1	
9	43018-001	SPRING ASSY-RETURN	1	
10	43017-001	VALVE ASSY-CHECK	1	
11	43029-003	LEVER,FRONT BRAKE	1	
12	43033-004	BOLT	1	
13	312B0600	NUT 6MM	1	
14	43031-001	WASHER-LOCK, 8MM	1	
15	311B0800	NUT, 8MM	1	
16	43030-003	BOLT,LEVER ADJUSTING	1	
17	43026-003	CAP, OIL CUP	1	
18	43027-001	PLATE-MASTER CYLINDER	1	
19	43028-001	DIAPHRAGM	1	
20	110N0625	BOLT HEX HEAD 6X25	2	
21	411B0600	WASHER PLAIN 6MM	2	
22	43034-001	HOLDER-MASTER CYL	1	
23	43067-001	WASHER-OIL BOLT	6	
24	92002-1888	BOLT,OIL, L=23	3	
25	49006-1041	BOOT, DUST	1	
26	43059-009	HOSE, CYLINDER BRAKE	1	
27	43065-001	SWITCH-FRONT BRAKE	1	
28	43061-002	JOINT, THREE WAY	1	
29	110N0622	BOLT, HEX HEAD 6X22	1	
30	110N0632	BOLT-HEX HEAD, 6X32	1	
31	411B0600	WASHER PLAIN 6MM	2	
32	461F0600	WASHER SPRING 6MM	2	
33	43059-1262	HOSE-BRAKE, L=350	1	
34	43060-021	PIPE, BRIDGE	1	
35	43063-001	BRACKET -BRAKE HOSE	1	
36	43064-001	GROMMET-HOSE BRACKET	1	
37	43064-005	DAMPER RUBBER	1	
38	92073-027	RUBBER CAP,FRNT BRKE	1	



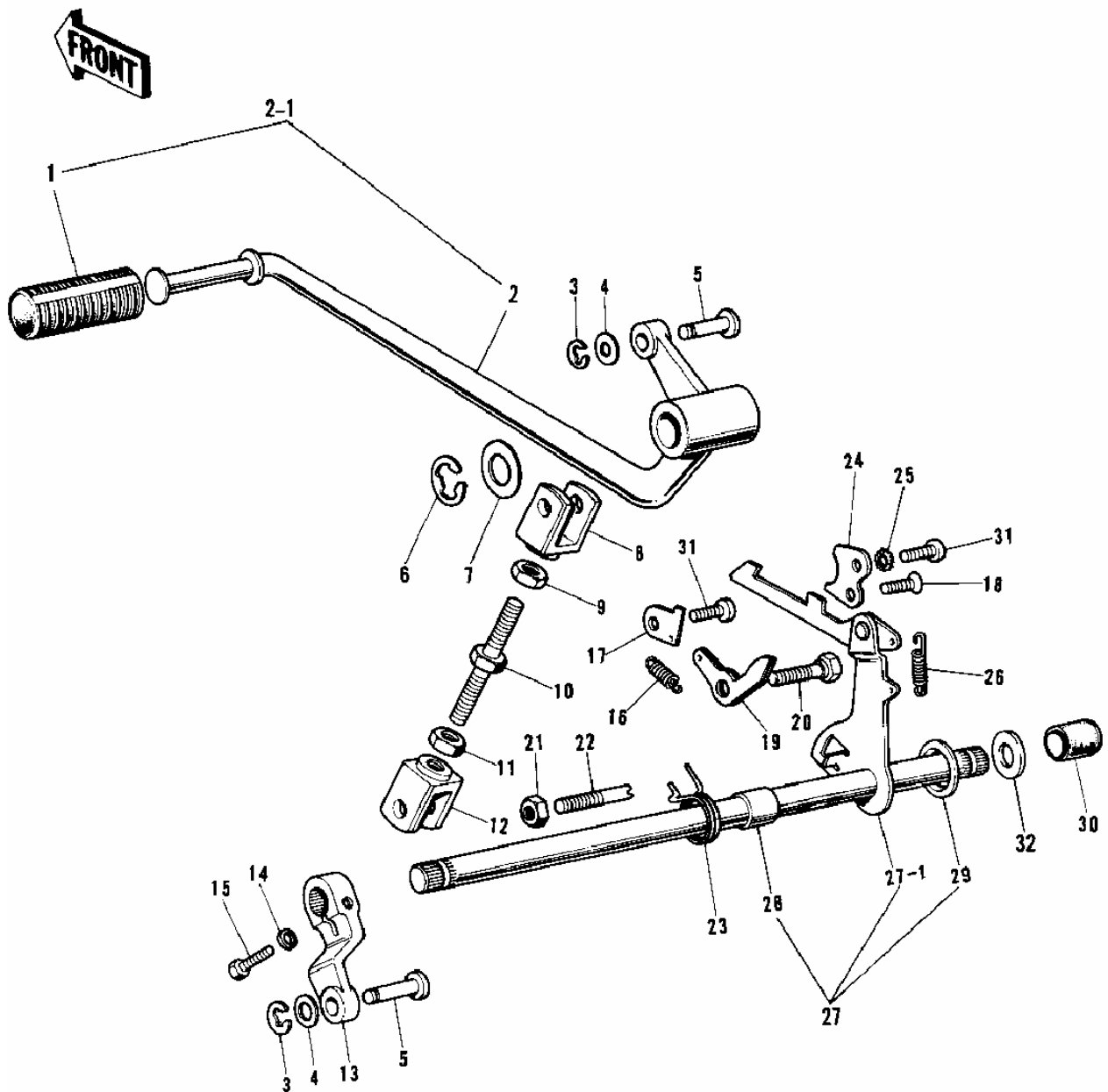
FUEL TANK ('69-'72 H1/A/B/C)

Ref #	Part #	Description	Qty	Spec Code
1	51001-047-19	TANK FUEL WHITE	1	1969 H1
1	51002-014-19	TANK ASY, FUEL, WHITE	1	1969 H1
1	51001-066-24	TANK-FUEL, C.RED	1	1970 H1
1	51002-014-24	TANK ASY, FUEL, C.RED	1	1970 H1
1	51001-066-47	TANK-FUEL, P.GRAY	1	1970 H1
1	51002-014-47	TANK ASY, FUEL, P.GRAY	1	1970 H1
1-1	51001-066-58	TANK-FUEL, C.BLUE	1	H1-A
1-1	51002-014-KK	TANK ASY, FUEL, C.BLUE	1	H1-A
1-2	51001-074-67	TANK-FUEL, P.C.ORANGE	1	H1-B/C
2	51059-007	GASKET-FUEL TANK CAP	1	H1/A
2	51059-008	GASKET-FUEL TANK CAP	1	H1-B/C
3	51049-008	CAP FUEL TANK	1	H1/A
3-1	51051-004	CAP-FUEL TANK	1	H1-B/C
4	92075-013	DAMPER RUBB TANK FRNT	2	
5	92027-012	SPACER FUEL TANK MONT	1	
6	92022-1564	WASHER, 8X26X2.3	3	
7	28001-004	REFLECTOR REFLEX	2	H1/A/C
8	461F0800	WASHER SPRING 8MM	3	
9	92001-1405	BOLT 8X38	2	
10	92027-1134	COLLAR,FUEL TANK FITT	1	
11	115B0832	BOLT-SMALL-UPSET	1	H1/A/C
11-1	311B0800	NUT, 8MM	1	H1-B
12	92027-034	SPACER FUEL TANK REAR	1	
13	92075-030	DAMPER RUBB TANK REAR	1	
14	51047-001	PIPE FUEL TANK CONECT	3	
15	92059-008	PIPE OIL TANK	1	
16	92037-010	CLAMP FUEL PIPE	8	
17	51023-040	COCK ASSY, FUEL	1	
17	51023-040	COCK ASSY, FUEL	AL	
18	51035-005	NUT FUEL COCK JOINT	1	
19	92065-054	GASKET FUEL COCK JONT	1	
20	51038-005	STRAINER FUEL	1	
21	51037-007	GASKET FUEL COCK CUP	1	
22	92065-055	GASKET FUEL COCK LEV	1	
23	92055-044	"0" RING	1	
94				

24	51069-001	DIAPHRAGM ASSY	1	
25	92081-048	SPRING DIAPHRAGM	1	
26	92065-052	GASKET	1	
27	56018-040	EMBLEM-FUEL TANK, TOP	1	H1-A
28	56018-041	EMBLEM-FUEL TANK, L.H	1	H1-A
29	56018-042	EMBLEM-FUEL TANK, R.H	1	H1-A
30	92043-072	PIN-HOOK	1	H1-B/C
31	92043-073	PIN-TANK CAP STOPPER	1	H1-B/C
32	92043-074	PIN-TANK CAP FIT	1	H1-B/C
33	51053-003	SPRING-HOOK	1	H1-B/C
34	51063-001	HOOK	1	H1-B/C

FUEL TANK ('73-'75 D/E/F & '76 A8)

Ref #	Part #	Description	Qty	Spec Code
1	51001-082-77	TANK-FUEL, C.LIME	1	H1-D
1	51001-082-1X	TANK-FUEL, C.RED	1	H1-E
1	51001-082-1Y	TANK-FUEL, C.LIME	1	H1-E
1	51001-082-2W	TANK-FUEL, C.BLUE	1	H1-F
1	51001-082-2X	TANK-FUEL, C.GOLD	1	H1-F
1	51001-108-3T	TANK-FUEL, D.BURGUNDY	1	KH500- A8
1	51001-108-3U	TANK-FUEL, COPPER	1	KH500- A8
2	51048-007	CAP ASSY, FUEL TANK	1	H1-D/E/F
2-1	51048-012	CAP,FUEL TANK	1	KH500- A8
3	51059-008	GASKET -FUEL TANK CAP	1	
4	92043-091	PIN,TANK CAP	1	H1-D/E/F
5	51053-003	SPRING-HOOK	1	H1-D/E/F
6	51063-002	HOOK,FUEL TANK CAP	1	H1-D/E/F
7	92043-096	PIN,TANK CAP FIT	2	H1-D/E/F
8	92072-050	BAND-FUEL TANK	1	
9	51047-001	PIPE FUEL TANK CONECT	3	H1-D
9	92059-1691	TUBE,4.5X9X380	3	H1-E/F, KH500-A8
10	92059-008	PIPE OIL TANK	1	H1-D
10	92059-073	PIPE-FUEL	1	H1-E/F, KH500-A8
11	92037-010	CLAMP FUEL PIPE	8	
12	51023-040	COCK ASSY, FUEL	1	
13	51035-005	NUT FUEL COCK JOINT	1	
14	92065-054	GASKET FUEL COCK JONT	1	
15	51038-005	STRAINER FUEL	1	
16	51037-007	GASKET FUEL COCK CUP	1	
17	92065-055	GASKET FUEL COCK LEV	1	
18	92055-044	"0" RING	1	
19	51069-001	DIAPHRAGM ASSY	1	
20	92081-048	SPRING DIAPHRAGM	1	
21	92065-052	GASKET	1	
22	92043-127	PIN, CAP HINGE	1	KH500- A8
23	92043-126	PIN, HOOK	1	KH500- A8

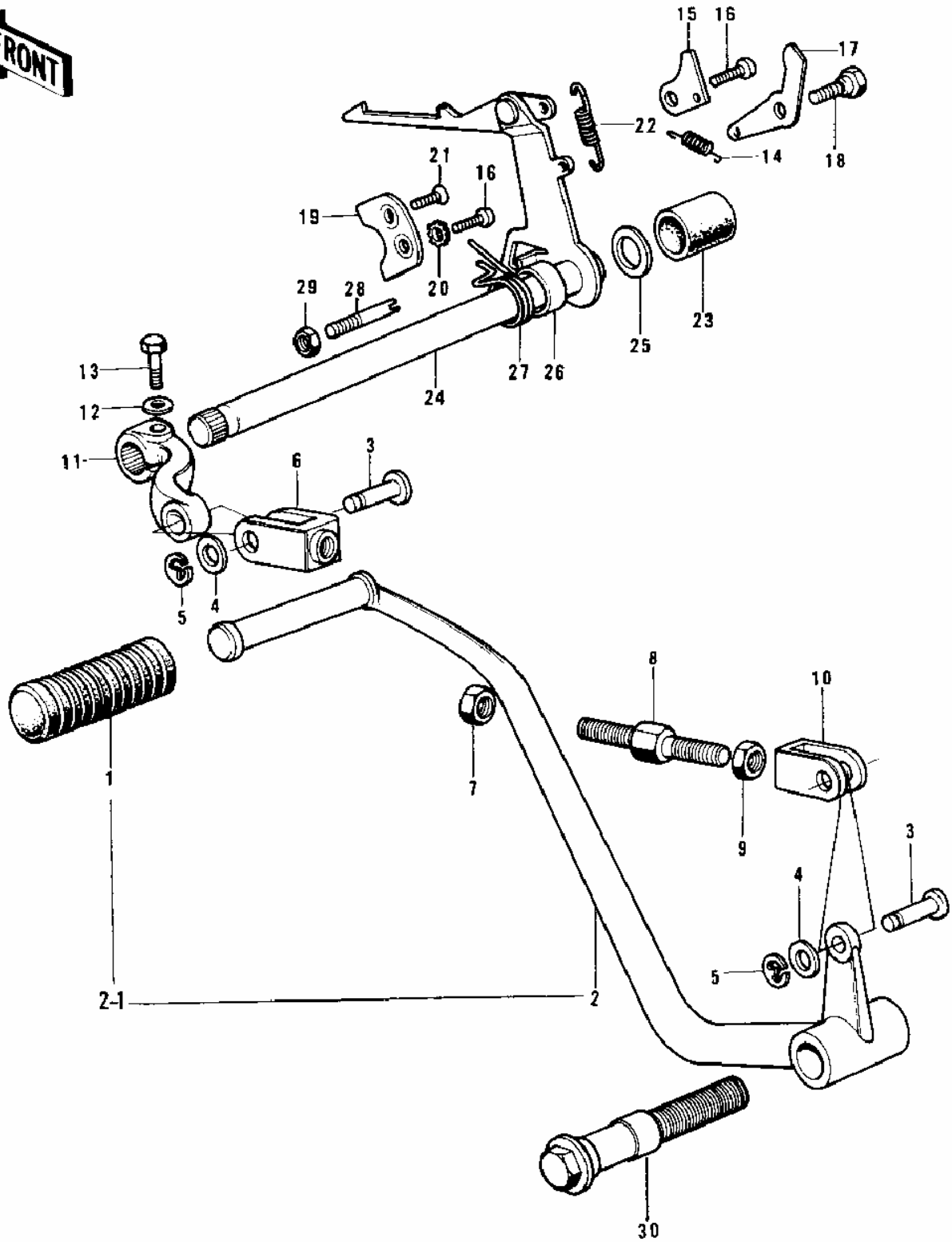


GEAR CHANGE MECHANISM ('69-'72 H1/A/B/C)

Ref #	Part #	Description	Qty	Spec Code
1	13157-004	RUBBER CHANGE PEDAL	1	
2	13156-026	PEDAL GEAR CHANGE	1	SELECTIVE USE
2	13242-011	PEDAL ANY, GEAR CHANGE	1	SELECTIVE USE
2-1	13242-011	PEDAL ANY, GEAR CHANGE	1	INCLUDES REF. #1
3	482K5000	CIRCLIP 5MM	2	
4	410B0600	WASHER PLAIN 6MM	2	USE WITH 92043-024
4	410B0800	WASHER PLAIN 8MM	2	USE WITH 92043-069
5	92043-024	PIN JOINT	2	

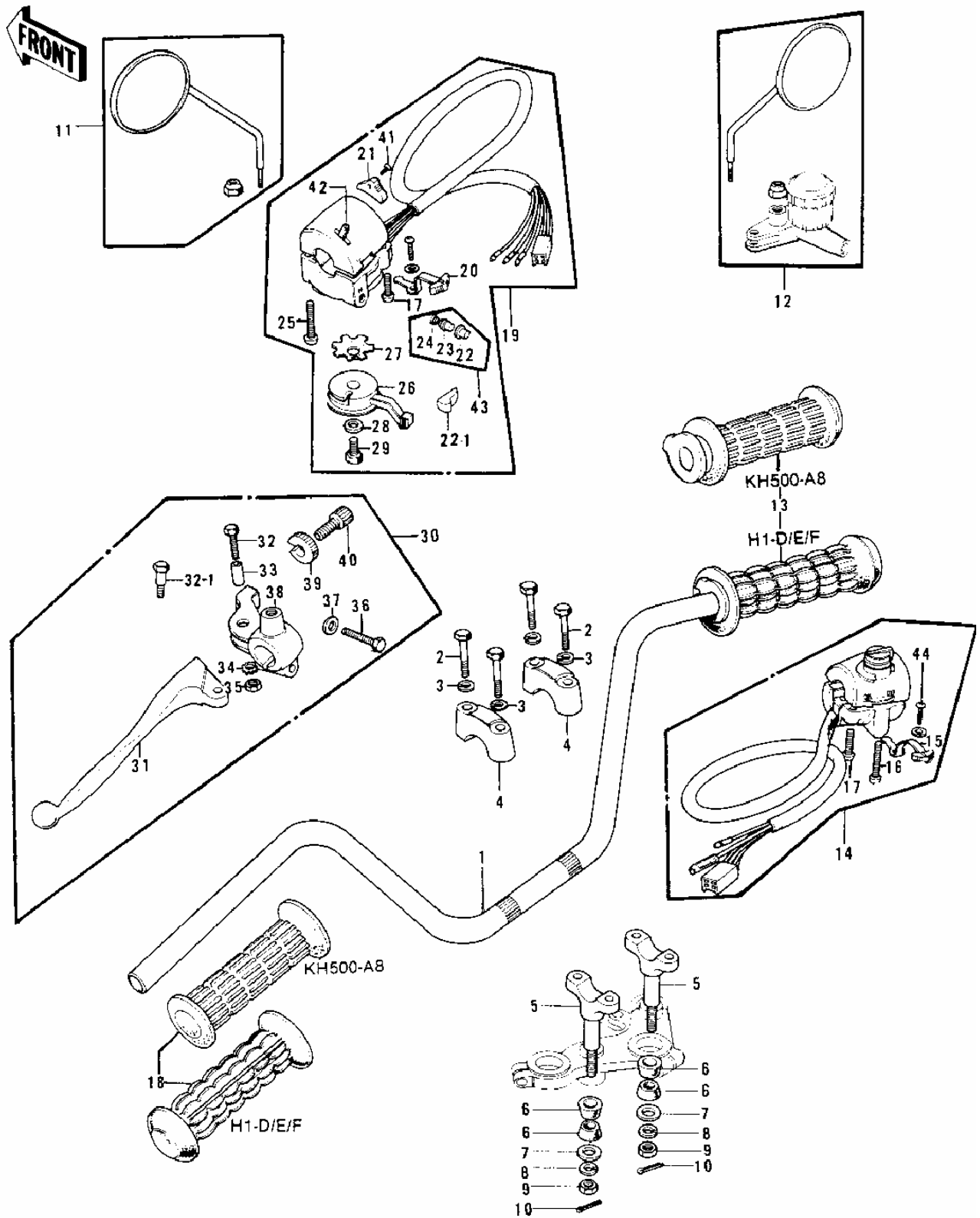
5	92043-069	PIN	2	
6	482K0200	CIRCLIP 12MM	1	
7	92022-085	WASHER BRAKE PEDAL	1	
8	13159-005	JOINT	1	USE WITH 13156-026
8	13159-007	CONNECTOR, A	1	USE WITH 13156-043, 13242-01
9	318B0800	NUT 8MM	1	
9	318N0800	NUT, 8MM	AL	
10	92003-040	BOLT CHNG PEDAL JOINT	1	
11	92017-004	NUT 8MM	1	
11	92017-010	NUT, 8MM	AL	
12	13159-006	JOINT	1	USE WITH 13158-004
12	13159-008	CONNECTOR, B	1	USE WITH 13158-011
13	13158-004	LEVER CHANGE PEDAL	1	
13	13158-011	LEVER-GEAR CHANGE	1	
14	461F0600	WASHER SPRING 6MM	1	USE WITH 110B0620
14	461F0800	WASHER SPRING 8MM	1	USE WITH 114B0822
15	112G0620	BOLT-UPSET, 6X20	1	USE WITH 13158-004
15	115B0822	BOLT-SMALL-UPSET, 8X22	1	USE WITH 13158-011
16	92081-1045	SPRING, CHNG DRUM LEVR	1	
17	13170-004	PLATE CHANGE DRUM LEV	1	
18	212B0616	SCREW CNTSNK HD 6X16	1	
19	13168-012	LEVER GEAR CHNG DRUM	1	
20	92150-1450	BOLT, CHANGE DRUM LEVE	1	
21	312B0800	NUT 8MM	1	
22	92001-1401	BOLT, RETURN SPRING	1	
23	92081-1129	SPRING, TENTION	1	
24	13169-005	PLATE CHNG DRUM PSTON	1	
25	464H0600	WASHER LOCK 6MM	1	
26	92144-1720	SPRING, CHANGE LEVER	1	
27	13162-008	LEVER ANY, GEAR CHANGE	1	INCLUDES REF. #S
27-1	13161-035	LEVER ASSY GEAR CHNG	1	
28	92027-121	COLLAR	1	
29	92026-068	SPACER	1	
30	13080-004	RUBBER CAP	1	
31	220B0616	SCREW PAN HEAD 6X16	2	
32	92022-150	SHIM-KICK SHAFT, 0.5T	1	

FRONT



GEAR CHANGE MECHANISM ('73-'75 D/E/F & '76 KH500-A8)

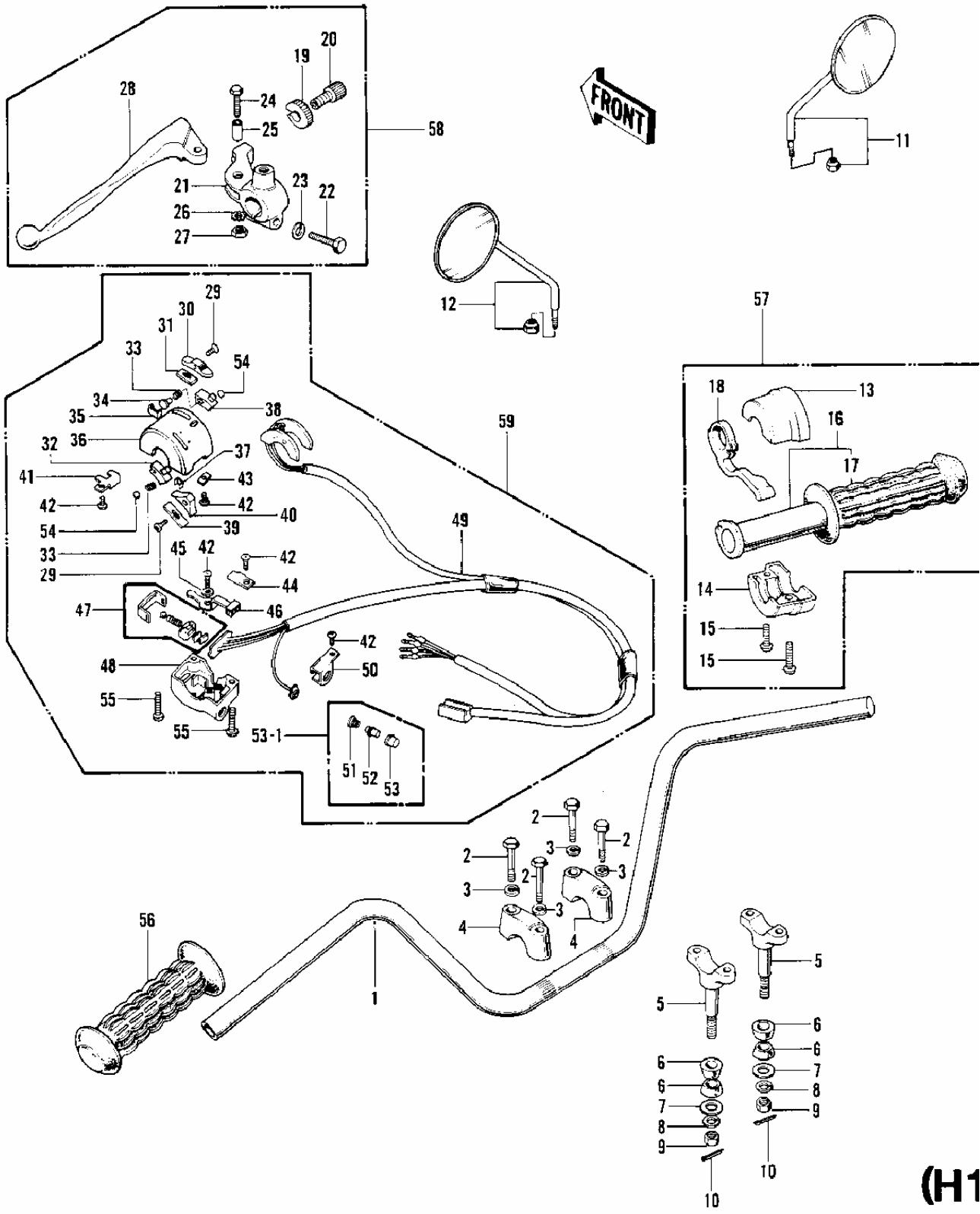
Ref #	Part #	Description	Qty	Spec Code
1	13157-004	RUBBER CHANGE PEDAL	1	
2	13242-011	PEDAL ANY, GEAR CHANGE	1	
2-1	13242-011	PEDAL ANY, GEAR CHANGE	1	
3	92043-069	PIN	2	
4	92022-1028	WASHER,PLAIN	2	
5	482K5000	CIRCLIP 5MM	2	
6	13159-008	CONNECTOR, B	1	
7	92017-010	NUT, 8MM	1	
8	92003-115	BOLT, CHNG PEDAL JOINT	1	
9	318N0800	NUT, 8MM	1	
10	13159-007	CONNECTOR, A	1	
11	13158-011	LEVER -GEAR CHANGE	1	
12	461F0800	WASHER SPRING 8MM	1	
13	115G0820	BOLT, 8X20	1	H1-D
13	115B0822	BOLT -SMALL-UPSET, 8X22	1	H1-E/F, KH500-A8
14	92081-1045	SPRING,CHNG DRUM LEVR	1	H1-D/E/F
15	13170-004	PLATE CHANGE DRUM LEV	1	H1-D/E/F
16	220B0616	SCREW PAN HEAD 6X16	2	H1-D/E/F
17	13168-012	LEVER GEAR CHNG DRUM	1	H1-D/E/F
18	92150-1450	BOLT, CHANGE DRUM LEVE	1	H1-D/E/F
19	13169-005	PLATE CHNG DRUM PSTON	1	
20	464H0600	WASHER LOCK 6MM	1	
21	212B0616	SCREW CNTSNK HD 6X16	1	
22	92144-1720	SPRING, CHANGE LEVER	1	H1-D/E/F
22	92081-151	SPRING, CHANGE LEVER	1	KH500-A8
23	13080-004	RUBBER CAP	1	
24	13161-035	LEVER ASSY GEAR CHNG	1	H1-D
24	13161-035	LEVER ASSY GEAR CHNG	1	H1-E/F
24	13161-045	LEVER ASSY, CHANGE	1	KH500-A8
25	92026-068	SPACER	1	
26	92027-121	COLLAR	1	
27	92081-1129	SPRING, TENTION	1	
28	92001-1401	BOLT, RETURN SPRING	1	
29	312B0800	NUT 8MM	1	
30	92003-117	BOLT, CHANGE PEDAL	1	
31	92022-150	SHIM-KICK SHAFT, 0.5T	1	
32	314G1200A	NUT, 12MM	1	



HANDLEBAR ('73-'75 D/E/F & '76 A8)

Ref #	Part #	Description	Qty	Spec Code
1	46003-017	HANDLEBAR	1	
2	92001-1405	BOLT 8X38	4	
3	461F0800	WASHER SPRING 8MM	4	
4	46012-008	HOLDER-HANDLEBAR	2	
5	46012-010	HOLDER-HANDLEBAR LOW	2	
6	92075-275	DAMPER RUBBER,HANDLE	4	
7	92022-196	WASHER-HANDLEBAR FIT	2	
8	461F1000	WASHER SPRING 10MM	2	
9	314B1000	NUT, 10MM	2	
10	554A0800	PIN, SNAP	2	
11	56003-009	REAR VIEW MIRROR, L.H	1	H1-D/E/F
11	56003-019	REAR VIEW MIRROR, L.H	1	KH500- A8
12	56002-020	REAR VIEW MIRROR, R.H	1	H1-D/E/F
12	56002-029	REAR VIEW MIRROR, R.H	1	KH500- A8
13	46019-023	GRIP ASSY-THROTTLE	1	H1-D/E/F
13	46019-041	GRIP ASSY, THROTTLE	1	KH500- A8
14	46132-003	CASE ASSY, R.H	1	H1-D/E
14	46132-019	CASE ASSY, R.H	1	H1-F
14	46132-027	CASE ASSY, R.H	1	KH500- A8
14	46132-028	CASE ASSY, R.H	1	KH500- A8 CANADA
15	46043-006	KNOB, LIGHING SWITCH	1	
16	220B0535	SCREW-PAN-CROS	1	
17	220B0522	SCREW PAN HEAD 5X22	2	
18	46075-017	RUBBER-L.H GRIP	1	H1-D/E/F
18	46075-028	RUBBER, L.H GRIP	1	KH500- A8
19	46091-014	CASE ASSY, L.H	1	H1-D
19	46091-047	CASE ASSY, L.H	1	H1-E/F, KH500-A8
20	46043-005	KNOB, LIGHTING SW L.H	1	
21	46044-013	KNOB,LIGHTING SW L.H	1	
22	27010-1009	SWITCH ASSY, HORN BUTN	1	H1-D/E
22-1	27010-1001	BUTTON, HORN PUSH	1	H1-F, KH500-A8
23	27010-1009	SWITCH ASSY, HORN BUTN	1	H1-D/E
24	27010-1009	SWITCH ASSY, HORN BUTN	1	H1-D/E
24-1	27010-1009	SWITCH ASSY, HORN BUTN	1	H1-D/E
25	220B0530	SCREW PAN HEAD 5X30	1	

26	46096-009	LEVER,STARTER	1	
27	92095-012	WASHER LOCK	1	
28	410B0600	WASHER PLAIN 6MM	1	
29	110B0608	BOLT HEX HEAD 6X8	1	
30	46076-026	LEVER ASSY-CLUTCH	1	H1-D
30	46076-036	LEVER ASSY, CLUTCH	1	H1-E/F
30	46076-051	LEVER ASSY, CLUTCH	1	KH500- A8
31	46092-015	LEVER-CLUTCH	1	H1-D
31	46092-015	LEVER-CLUTCH	1	H1-E/F
31	46092-023	LEVER, CLUTCH	1	KH500- A8
32	92007-020	BOLT HEX HEAD 5X20	1	H1-D
32-1	92007-046	BOLT,HEX HEAD, 5X22	1	H1-E/F
32-1	92007-047	BOLT,HEX HEAD	1	KH500- A8
33	46059-011	COLLAR LEVER	1	H1-D, USE FOR 92007-020
34	464H0500	WASHER LOCK 5MM	1	H1-D, USE FOR 92007-020
35	312B0500	NUT 5MM	1	H1-D, USE FOR 92007-020
35	92019-014	NUT -LOCK, 5MM	1	H1-E/F,KH500- A8
36	110N0625	BOLT HEX HEAD 6X25	1	
37	410B0600	WASHER PLAIN 6MM	1	
38	46094-011-21	HOLDER-CLUTCH LEV, BLK	1	H1-D/E/F
38	46094-017	HOLDER, CLUTCH LEVER	1	KH500- A8
39	46056-005	NUT -LOCK	1	
40	46055-006	SCREW ADJUST	1	
41	221B0308A	SCREW CNTSNK HD 3X8	1	
42	46089-016	SWITCH ASSY, L.H	1	H1-D/E
42	46089-014	SWITCH, L.H	1	H1-F
43	99990-530	L.H GRIP SWITCH KIT	1	INCL. REF. #S 21, 41-42
44	220B0305A	SCREW PAN HEAD 3X5	1	

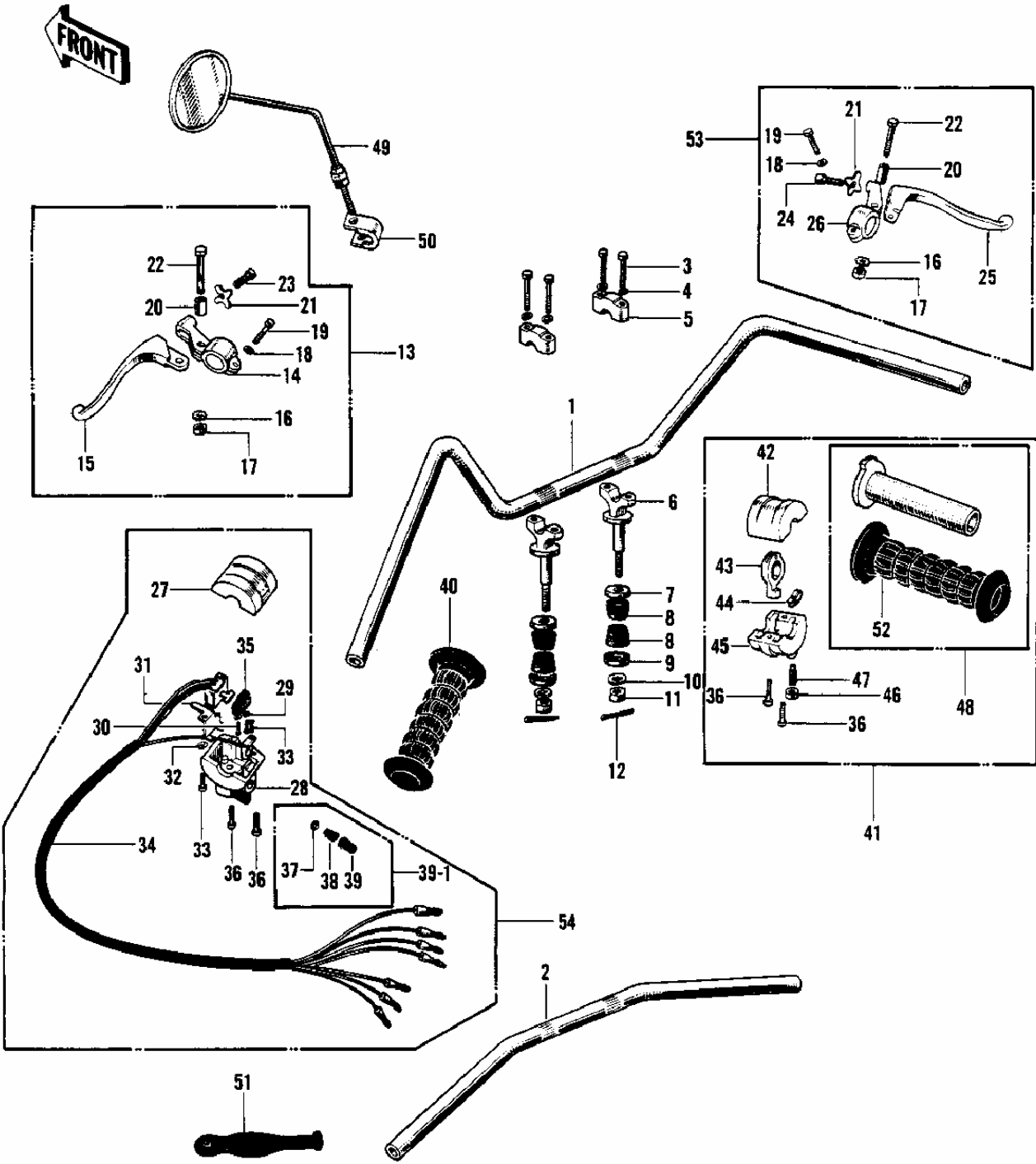


(H1)

HANDLEBAR (H1-B)

Ref #	Part #	Description	Qty	Spec Code
1	46003-017	HANDLEBAR	1	
2	92001-1405	BOLT 8X38	4	
3	461F0800	WASHER SPRING 8MM	4	
4	46012-008	HOLDER-HANDLEBAR	2	
5	46012-010	HOLDER-HANDLEBAR LOW	2	
6	92075-039	DAMPER RUBBER HANDLE	4	
7	92022-196	WASHER-HANDLEBAR FIT	2	
8	461F1000	WASHER SPRING 10MM	2	
9	314B1000	NUT, 10MM	2	
10	554A0800	PIN, SNAP	2	
11	56002-020	REAR VIEW MIRROR, R.H	1	
12	56003-009	REAR VIEW MIRROR, L.H	1	
13	46041-006	CASE-R.H UPPER	1	
14	46023-006	CASE-R.H LOWER	1	
15	220B0522	SCREW PAN HEAD 5X22	2	
16	46019-017	GRIP ASSY-THROTTLE	1	
17	46061-012	RUBBER-R.H GRIP	1	
18	46096-007	LEVER-STARTER	1	
19	46056-005	NUT -LOCK	1	
20	46055-006	SCREW ADJUST	1	
21	46094-011-21	HOLDER-CLUTCH LEV, BLK	1	
22	110N0625	BOLT HEX HEAD 6X25	1	
23	410B0600	WASHER PLAIN 6MM	1	
24	92007-020	BOLT HEX HEAD 5X20	1	
25	46059-011	COLLAR LEVER	1	
26	464H0500	WASHER LOCK 5MM	1	
27	312B0500	NUT 5MM	1	
28	46092-015	LEVER-CLUTCH	1	
29	221B0308A	SCREW CNTSNK HD 3X8	2	
30	46044-008	KNOB-L.H SWITCH, B	1	
31	46031-006	SPRING-L.H SW KNOB, B	1	
32	46089-005	SWITCH-L.H, A	1	
33	46031-007	SPRING-L.H SWITCH	2	
34	46079-004	CONTACT-L.H SWITCH	1	
35	46080-004	PLATE-L.H SW CNTACT, B	1	

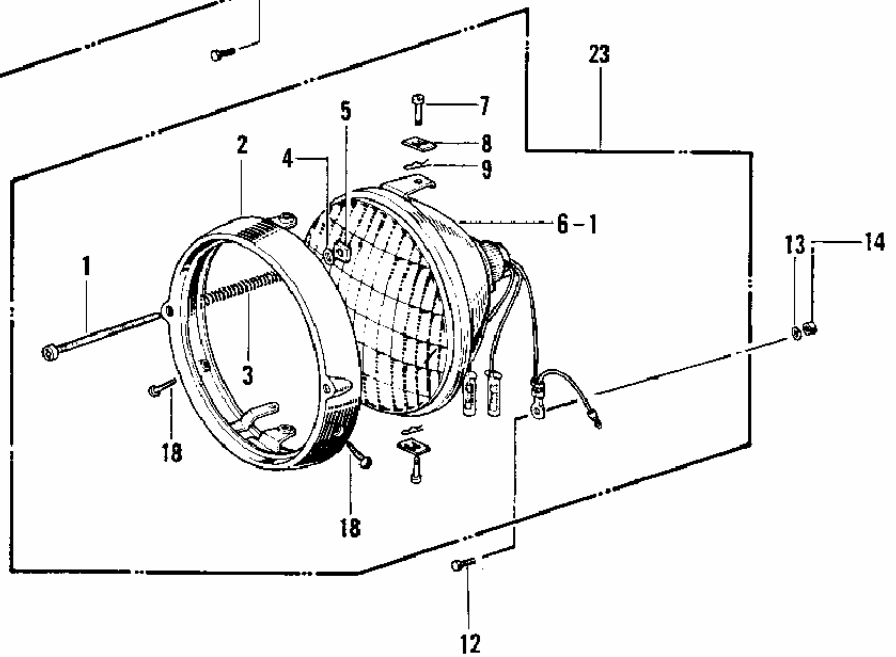
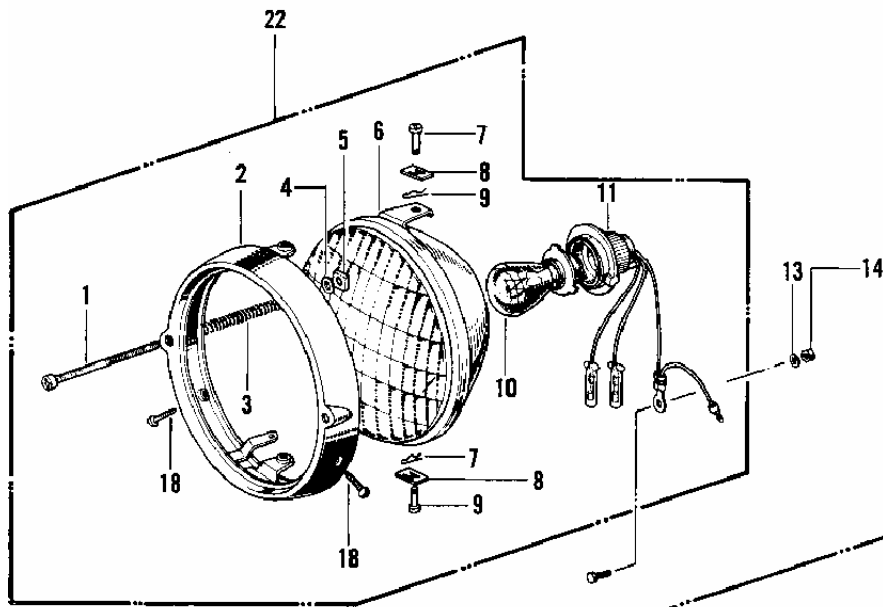
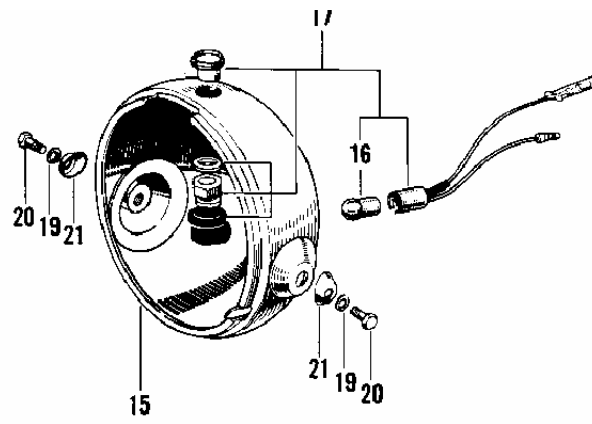
36	46086-014	CASE-L.H UPPER	1
37	46080-003	PLATE-L.H SW CONTACT, A	1
38	46089-006	SWITCH-L.H, B	1
39	46031-003	SPRING L.H SW KNOB	1
40	46044-011	KNOB-L.H SWITCH	1
41	46085-018	HOLDER-L.H SW UPPER, A	1
42	220B0305A	SCREW PAN HEAD 3X5	5
43	46085-019	HOLDER-L.H SW UPPER, B	1
44	46085-016	HOLDER-L.H SW LOWER, A	1
45	92095-010	WASHER	1
46	46044-007	KNOB-SWITCH	1
47	46089-007	SLIDE BLOCK AY-L.H SW	1
48	46077-016	CASE-L.H LOWER	1
49	46082-018	WIRING HARNESS -L.H SW	1
50	46085-017	HOLDER-L.H SW LOWER, B	1
51	27010-1009	SWITCH ASSY, HORN BUTN	1
52	27010-1009	SWITCH ASSY, HORN BUTN	1
53	27010-1009	SWITCH ASSY, HORN BUTN	1
53-1	27010-1009	SWITCH ASSY, HORN BUTN	1
54	46079-004	CONTACT-L.H SWITCH	2
55	220B0522	SCREW PAN HEAD 5X22	2
56	46075-017	RUBBER-L.H GRIP	1
57	46018-018	CASE ASSY-R.H	1
58	46076-022	LEVER ASSY-CLUTCH	1
59	46091-005	CASE ASSY-L.H	1



HANDLEBAR (H1/A/C)

Ref #	Part #	Description	Qty	Spec Code
1	46003-017	HANDLEBAR	1	
2	46005-005	HANDLEBAR, LOW	1	OPTION
3	92001-1405	BOLT 8X38	4	
4	461F0800	WASHER SPRING 8MM	4	
5	46012-004	HOLDER UPPER HANDLBAR	2	
6	46012-007	HOLDER HANDLEBAR LOW	2	
7	46016-003	CAP HANDLEBAR HOLDER	2	
8	92075-039	DAMPER RUBBER HANDLE	4	
9	46016-003	CAP HANDLEBAR HOLDER	2	
10	461F1000	WASHER SPRING 10MM	2	
11	314B1000	NUT, 10MM	2	
12	550D2520	PIN COTTER 2.5X20	2	
13	46076-010	LEVER ASSY CLUTCH	1	
14	46094-007	HOLDER-CLUTCH LEVER	1	
15	46092-012	LEVER CLUTCH	1	
16	464H0600	WASHER LOCK 6MM	2	
17	311B0600	NUT 6MM	2	
18	461F0600	WASHER SPRING 6MM	2	
19	110N0625	BOLT HEX HEAD 6X25	2	
20	46059-010	COLLAR LEVER	2	
21	46056-001	NUT LOCK ADJUST SCREW	2	
22	110N0628	UNAVAILABLE IN PRICE BOOK	2	
23	46055-006	SCREW ADJUST	1	
24	46055-009	SCREW,CABLE ADJUST	1	
25	46058-012	LEVER FRONT BRAKE	1	
26	46060-005	HOLDER-FR BRAKE LEVER	1	
27	46086-012	CASE L.H UPPER	1	
28	46077-014	CASE L.H LOWER	1	
29	92029-002	SPRING-WASHER	2	
30	211B0206	SCREW PAN HEAD 2X6	2	
31	46085-010	HOLDER L.H SW UP WRNG	1	
32	461F0300	WASHER SPRING 3MM	1	
33	220B0305A	SCREW PAN HEAD 3X5	2	
34	46082-014	WIRING HARNESS	1	
35	46044-003	KNOB SWITCH	1	

36	220B0518	SCREW PAN HEAD 5X18	4	
37	46079-001	CONTACT HORN BUTTON	1	
38	27010-1009	SWITCH ASSY,HORN BUTN	1	
39	27010-1009	SWITCH ASSY,HORN BUTN	1	
39-1	27010-1009	SWITCH ASSY,HORN BUTN	1	
40	46075-013	RUBBER L.H GRIP	1	
41	46018-008	CASE ASSY R.H	1	
42	46040-013	CASE R.H UPPER	1	
43	46096-004	LEVER STARTER	1	
44	46025-004	SPRING GRIP ADJUST	1	
45	46022-015	CASE R.H LOWER	1	
46	312B0500	NUT 5MM	1	
47	46026-006	SCREW GRIP ADJUST	1	
48	46018-008	CASE ASSY R.H	1	
49	56001-005	REAR VIEW MIRROR	AR	H1/A
49	56003-016	REAR VIEW MIRROR LH	1	H1-C
49	56002-024	REAR VIEW MIRROR R.H.	1	H1-C
50	56006-001	BRACKET	AR	
51	92072-013	BAND RUBBER	1	
52	46061-008	RUBBER R.H GRIP	1	
53	46021-006	LEVER ASSY FRNT BRAKE	1	
54	46091-001	CASE ASSY L.H	1	

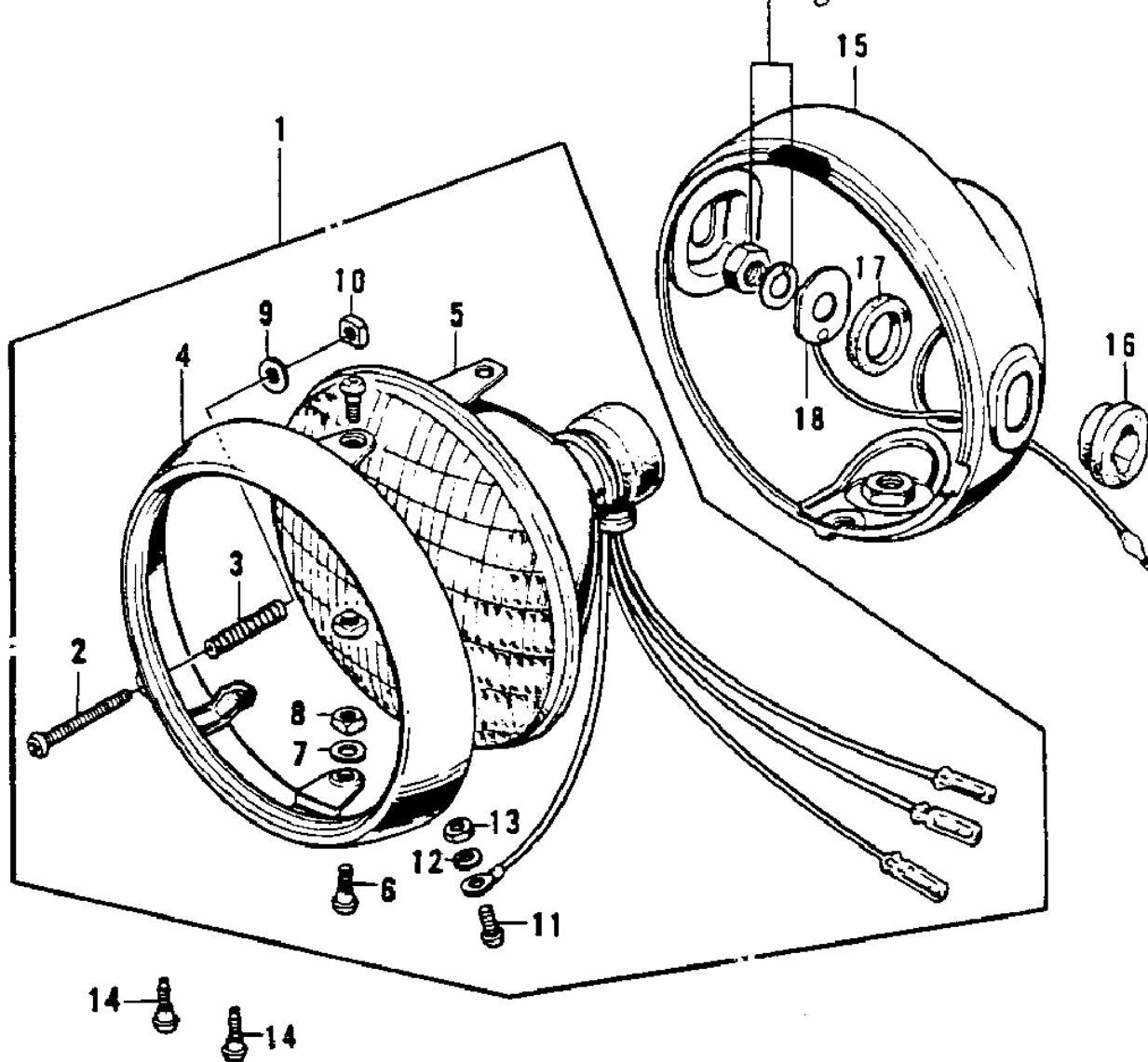


← FRONT

HEADLIGHT ('69-'72 H1/A/B/C)

Ref #	Part #	Description	Qty	Spec Code
1	23019-021	SCREW FORCUS ADJUST	1	
2	23006-017	RIM HEAD LAMP	1	
3	23014-005	SPRING FOCUS ADJUST	1	
4	23021-004	WASHER	1	
5	23020-016	NUT	1	
6	23007-013	LENS UNIT HEAD LAMP	1	1969 MODEL H
6-1	23007-025	SEALED BEAM UNIT	1	'70 H1, H1-A/B
7	23019-018	SCREW LENS UNIT FITT	2	
8	23020-009	NUT LENS UNIT FITTING	2	
9	23022-001	PIN LENS UNIT FITTING	2	
10	92069-037	BULB 12V 35/25W	1	1969 MODEL H
11	23008-011	SOCKET HEAD LAMP	1	1969 MODEL H
12	220B0306	SCREW-PAN-HEAD 3X6	1	
13	461F0300	WASHER SPRING 3MM	1	
14	311B0300	NUT -HEX	1	
15	23005-023	BODY HEAD LAMP	1	'69 H1, H1-A/C
15	23005-018-21	BODY-HEAD LAMP, F BLK	1	'70 H1,H1-B
16	92069-017	BULB 12V 1.5W	1	
17	23016-002	LAMP ASSY HIGH BEAM	1	
17	222E0510	SCREW OVL CNTSNK 5X10	2	
19	461F1000	WASHER SPRING 10MM	2	
20	92007-045	BOLT,HEX HEAD, 10X25	2	
21	92075-058	DAMPER RUBBER	2	H1-B
22	23004-020	LAMP UNIT HEAD	1	H1
23	23003-011	LAMP UNIT HEAD	1	H1-A/B/C

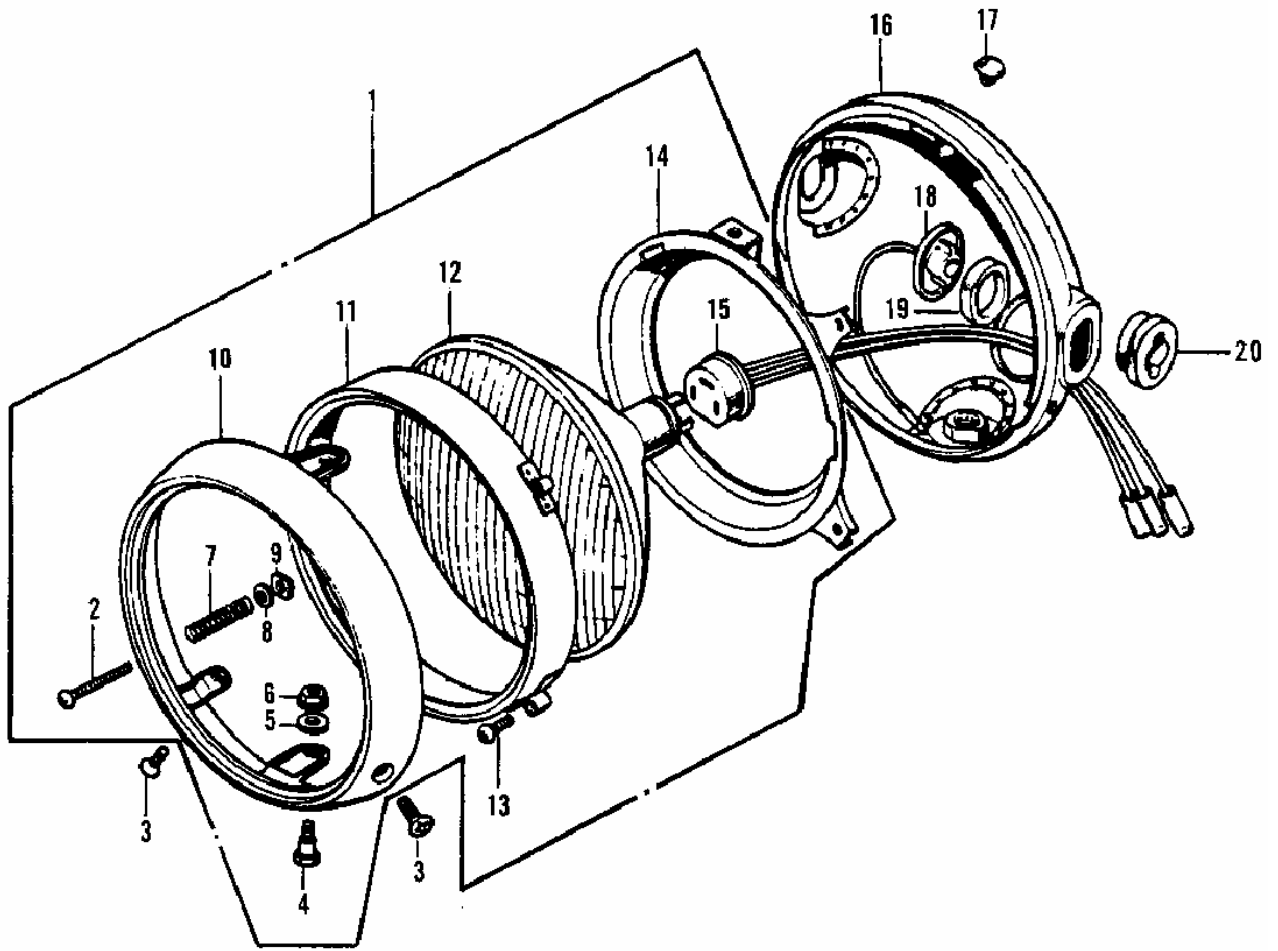
Ref : Turn signal



FRONT

HEADLIGHT (H1-D/E/F)

Ref #	Part #	Description	Qty	Spec Code
1	23003-018	LAMP UNIT-HEAD	1	
2	23019-021	SCREW FORCUS ADJUST	1	
3	23014-005	SPRING FOCUS ADJUST	1	
4	23006-034	RIM-HEAD LAMP	1	
5	23007-043	SEALED BEAM UNIT	1	
6	23019-023	SCREW-PAN HEAD,5X12	2	
7	23021-012	WASHER-PLAIN, 5MM	2	
8	23020-023	NUT,HEAD LAMP RIM FIT	2	
9	23021-004	WASHER	1	
10	23020-018	NUT, 4MM	1	
11	220B0306	SCREW-PAN-HEAD 3X6	1	
12	461F0300	WASHER SPRING 3MM	1	
13	311B0300	NUT -HEX	1	
14	23019-022	SCREW,PAN HEAD, 5X14	1	
15	23005-038-21	BODY-HEAD.LAMP, BLACK	1	
16	23066-001	DAMPER RUBBER A	2	
17	23066-005	DAMPER RUBBER	2	
18	23076-005	COLLAR	2	

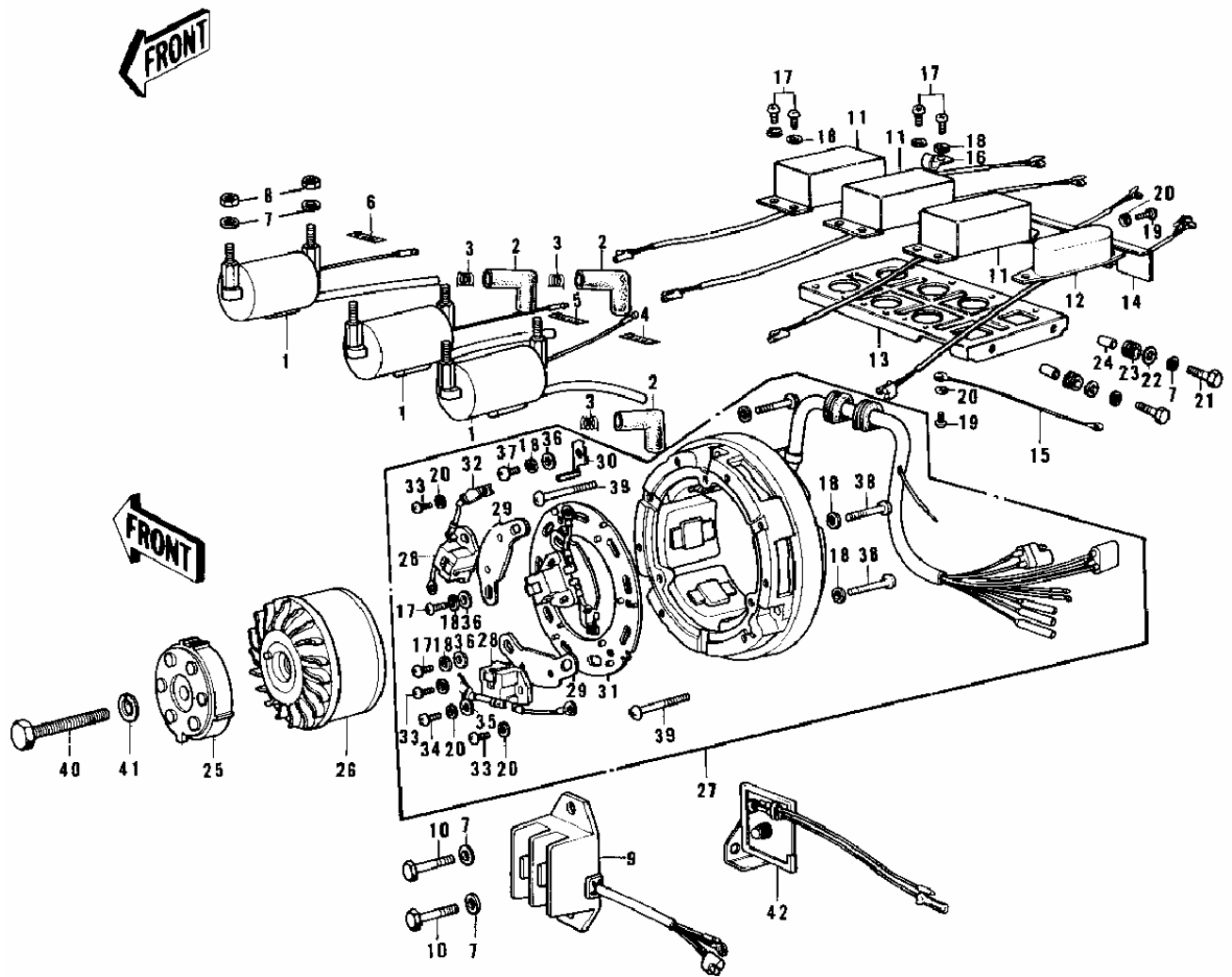


HEADLIGHT (KH500-A8)

Ref #	Part #	Description	Qty	Spec Code
1	23003-017	LAMP UNIT, HEAD	1	
2	23019-021	SCREW FORCUS ADJUST	1	
3	23019-022	SCREW,PAN HEAD,5X14	2	
4	23019-023	SCREW-PAN HEAD,5X12	2	
5	23021-012	WASHER-PLAIN,5MM	2	
6	23020-023	NUT,HEAD LAMP RIM FIT	2	
7	23014-005	SPRING FOCUS ADJUST	1	
8	23021-004	WASHER	1	
9	23020-018	NUT, 4MM	1	
10	23006-038	RIM, HEAD LAMP	1	
11	23072-001	RING, HEAD LAMP MOUNT	1	
12	23007-041	SEALD BEAM UNIT	1	
13	220B0312	SCREW PAN HEAD 3X12	2	
14	23074-001	RING,HEAD LAMP MOUNT	1	
15	23008-037	SOCKET ASSY, HEAD LAMP	1	
16	23005-1015-21	BODY-COMP-HEAD LAMP	1	
17	92074-006	PLUG REAR FENDER RUBB	1	
18	23076-005	COLLAR	2	
19	23066-005	DAMPER RUBBER	2	
20	23066-001	DAMPER RUBBER A	2	

IGNITION/GENERATOR/REGULATOR (H1-B)

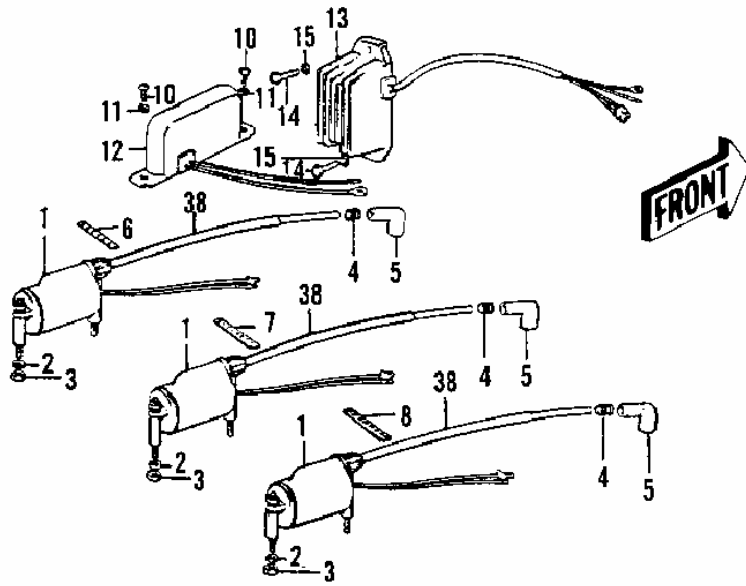
Ref #	Part #	Description	Qty	Spec Code
1	21007-016	ROTOR	1	
2	21076-012	YOKE ASSY	1	
3	21018-001	BREAKER ASSY	1	
4	21013-015	CONDENSER	3	
5	21082-007	POINT CONTACT BREAKER	3	
6	21088-009	BRUSH CARBON	1	
7	21085-004	SCREW PAN HEAD 4X8	10	
7	220B0408	SCREW PAN HEAD 4X8	10	
8	21085-005	UNAVAILABLE IN PRICE BOOK	4	
8	220B0406	SCREW PAN HEAD 4X6	4	
9	21029-021	WIRING HARNESS-MAG	1	
10	21103-005	CAM-MAGNETO	1	
11	21106-003	CAM PLATE	1	
12	461F0800	WASHER SPRING 8MM	1	
13	92001-1583	BOLT FLANGED, 8X70	1	
14	21156-007	PLATE,CENTER BREAKER	1	
15	220B0555A	SCREW PAN HEAD 5X55	3	
16	461F0500	WASHER SPRING 5MM	3	
17	411B0500	WASHER PLAIN 5MM	3	
18	21156-006	PLATE,R.H BREAKER	1	
19	21121-054	COIL-IGNITION, LH&RH	1	
20	21126-005	CLAMP-IGNITION COIL	1	
21	21121-055	COIL-IGNITION, CENTER	1	
22	21126-006	CLAMP-IGNITION COIL	1	
23	112G0640	BOLT-UPSET, 6X40	4	
24	311B0600	NUT 6MM	4	
25	461F0600	WASHER SPRING 6MM	6	
26	21133-023	CORD-HIGH TENSION, LH	1	L=215 MM
27	21133-021	CORD-HIGH TENSION, CNT	1	L=106 MM
28	21133-025	CORD-HIGH TENSION, RH	1	L=215 MM
29	92101-001	SPRING-SPARK PLUG CAP	3	
30	21130-009	CAP SPARK PLUG	3	
31	21072-004	REGULATOR VOLTAGE	1	
32	21061-008	RECTIFIER	1	
33	112G0618	BOLT-UPSET	2	
34	21155-006	PLATE, YOKE	1	



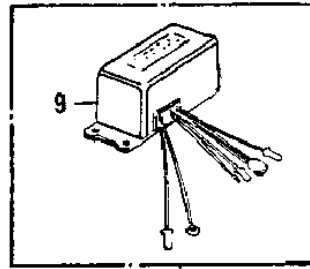
IGNITION/GENERATOR/REGULATOR (H1-D)

Ref #	Part #	Description	Qty Spec	Code
1	21121-064	COIL-IGNITION	3	
2	21130-009	CAP SPARK PLUG	3	
3	92101-001	SPRING-SPARK PLUG CAP	3	
4	21168-001	LABEL, LEFT	1	
5	21168-002	LABEL, CENTER	1	
6	21168-003	LABEL, RIGHT	1	
7	461F0600	WASHER SPRING 6MM	12	
8	311B0600	NUT 6MM	6	
9	21066-1036	REGULATOR	1	
10	112G0616	BOLT-UPSET, 6X16	2	
11	21119-016	IGNITION UNIT A	3	
12	21120-006	IGNITION UNIT B	1	

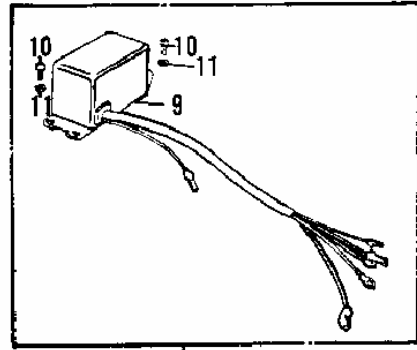
13	21155-005	PLATE, IGNITION UNIT	1
14	21155-004	PLATE	1
15	21045-009	WIRE-LEAD	1
16	21098-009	CLAMP-WIRE	1
17	220B0510	SCREW PAN HEAD 5X10	15
18	461F0500	WASHER SPRING 5MM	21
19	220B0406	SCREW PAN HEAD 4X6	3
20	461F0400	WASHER SPRING 4MM	15
21	112G0618	BOLT-UPSET	4
22	92022-125	WASHER 6.5X20X1.6T	4
23	92075-051	DAMPER RUBBER	4
24	92027-103	COLLAR	4
25	21007-021	ROTOR-S.G	1
26	21007-024	ROTOR	1
27	21076-015	YOKE ASSY	1
28	21152-003	PICK UP	3
29	21156-002	PLATE-PICK UP	3
30	21020-002	POINTER-IGN TIMING	1
31	21155-002	PLATE-YOKE	1
32	21098-008	CLAMP-LEAD WIRE	3
33	220B0408	SCREW PAN HEAD 4X8	6
34	220B0410	SCREW PAN HEAD 4X10	6
35	410B0400	WASHER PLAIN 4MM	6
36	411B0500	WASHER PLAIN 5MM	9
37	220B0512	SCREW PAN HEAD 5X12	3
38	220B0535	SCREW-PAN-CROS	3
39	220B0540	SCREW-PAN-CROS	3
40	92001-1583	BOLT FLANGED, 8X70	1
41	461F0800	WASHER SPRING 8MM	1
42	21061-014	RECTIFIER	1



FRONT

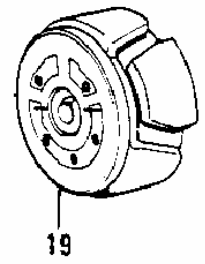
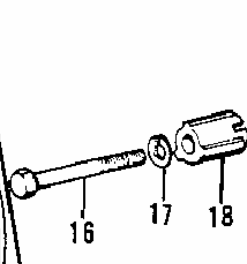
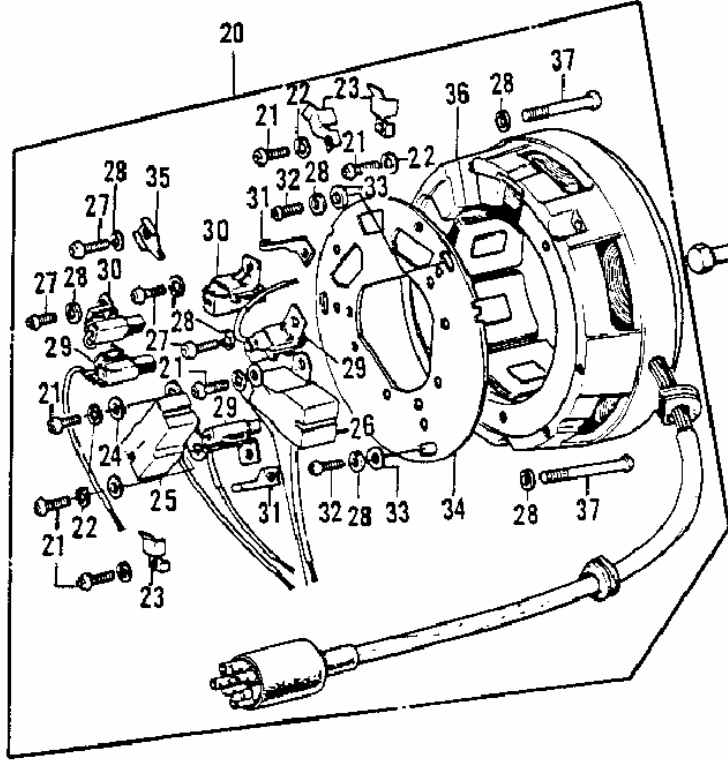


KH 500-A8



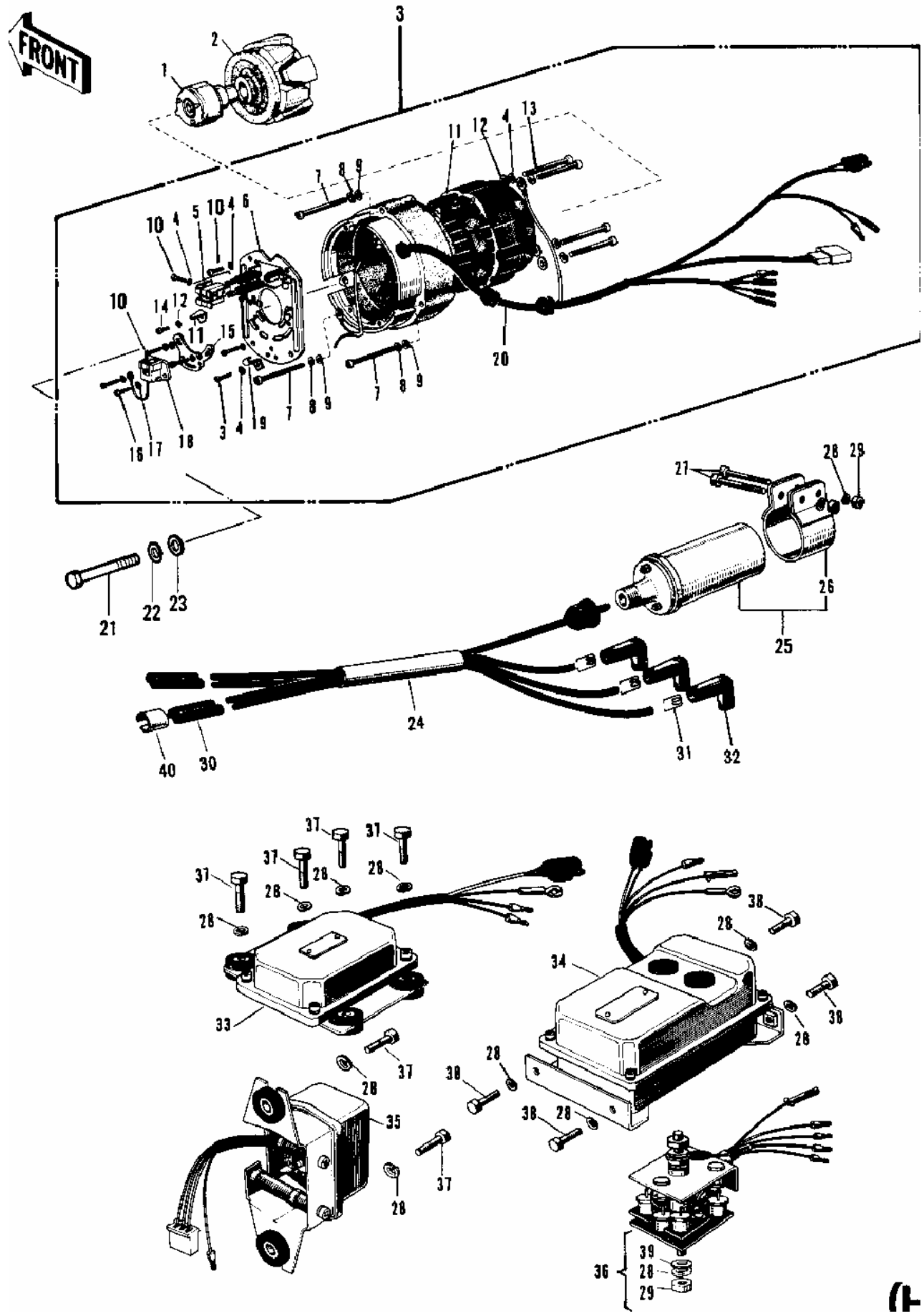
H1-E/F

FRONT



IGNITION/GENERATOR/REGULATOR (H1-E/F,KH500-A8)

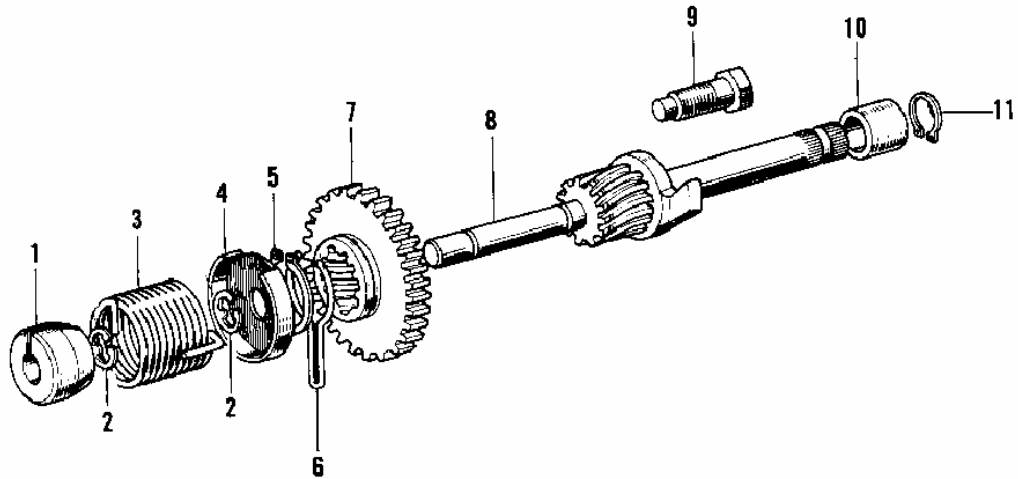
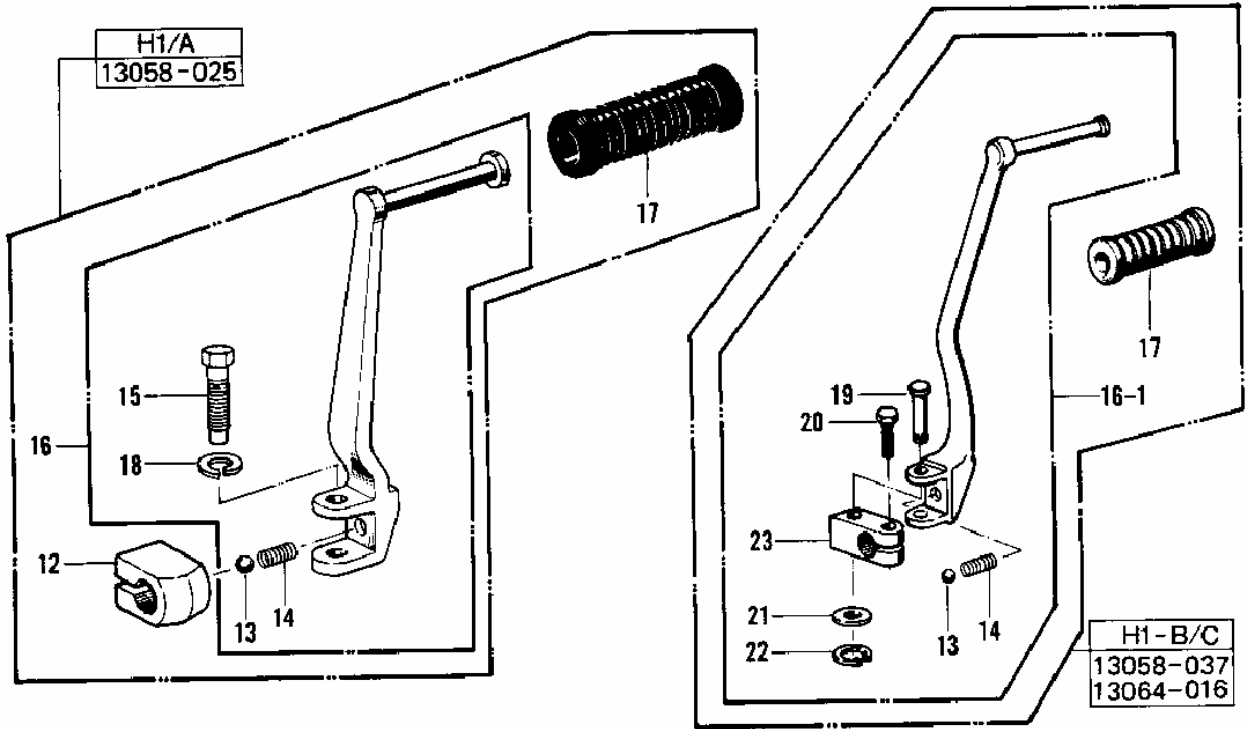
Ref #	Part #	Description	Qty	Spec Code
1	21121-074	COIL,IGNITION	3	H1-E/F
1	21121-087	COIL, IGNITION	3	KH500-A8
2	461F0600	WASHER SPRING 6MM	6	
3	311B0600	NUT 6MM	6	
4	92101-001	SPRING-SPARK PLUG CAP	3	
5	21130-009	CAP SPARK PLUG	3	
6	21168-001	LABEL, LEFT	1	
7	21168-002	LABEL, CENTER	1	
8	21168-003	LABEL,RIGHT	1	
9	21119-025	IGNITION UNIT	1	H1-E/F
9	21119-025	IGNITION UNIT	1	KH500-A8
10	220B0512	SCREW PAN HEAD 5X12	5	
11	461F0500	WASHER SPRING 5MM	5	
12	21119-019	IGNITION UNIT B	1	
13	21066-1036	REGULATOR	1	
14	112G0620	BOLT-UPSET, 6X20	2	
15	461F0600	WASHER SPRING 6MM	2	
16	92001-1583	BOLT FLANGED, 8X70	1	
17	461F0800	WASHER SP RING 8MM	1	
18	21007-027	ROTOR, S.G	1	
19	21007-028	ROTOR	1	
20	21076-016	YOKE ASSY	1	H1-E/F
20	21076-022	YOKE ASSY	1	KH500-A8
21	220B0408	SCREW PAN HEAD 4X8	8	
22	461F0400	WASHER SPRING 4MM	8	
23	21098-010	CLAMP,LEAD WIRE	4	
24	410B0400	WASHER PLAIN 4MM	4	
25	21152-004	PICK UP	1	"1" OR "N" MARK
26	21152-005	PICK UP	1	"2" OR "S" MARK
27	220B0506A	SCREW PAN HEAD 5X6	6	
28	461F0500	WASHER SPRING 5MM	12	
29	21088-013	BRUSH, CARBON	3	
30	21088-014	BRUSH, CARBON	2	
31	21098-011	CLAMP, CARBON BRUSH	3	
32	220B0512	SCREW PAN HEAD 5X12	3	
33	410B0500	WASHER PLAIN 5MM	3	
34	21155-007	PLATE, YOKE	1	
35	21020-003	POINTER, IGNITION TMNG	1	
36	21003-024	STATOR	1	H1-E/F
36	21003-033	STATOR ASSY	1	KH500-A8
37	220B0550A	SCREW-PAN HEAD, 5X50	3	
38	21133-026	CORD, HIGH TENSION	3	



IGNITION/GENERATOR/REGULATOR (H1/A/C)

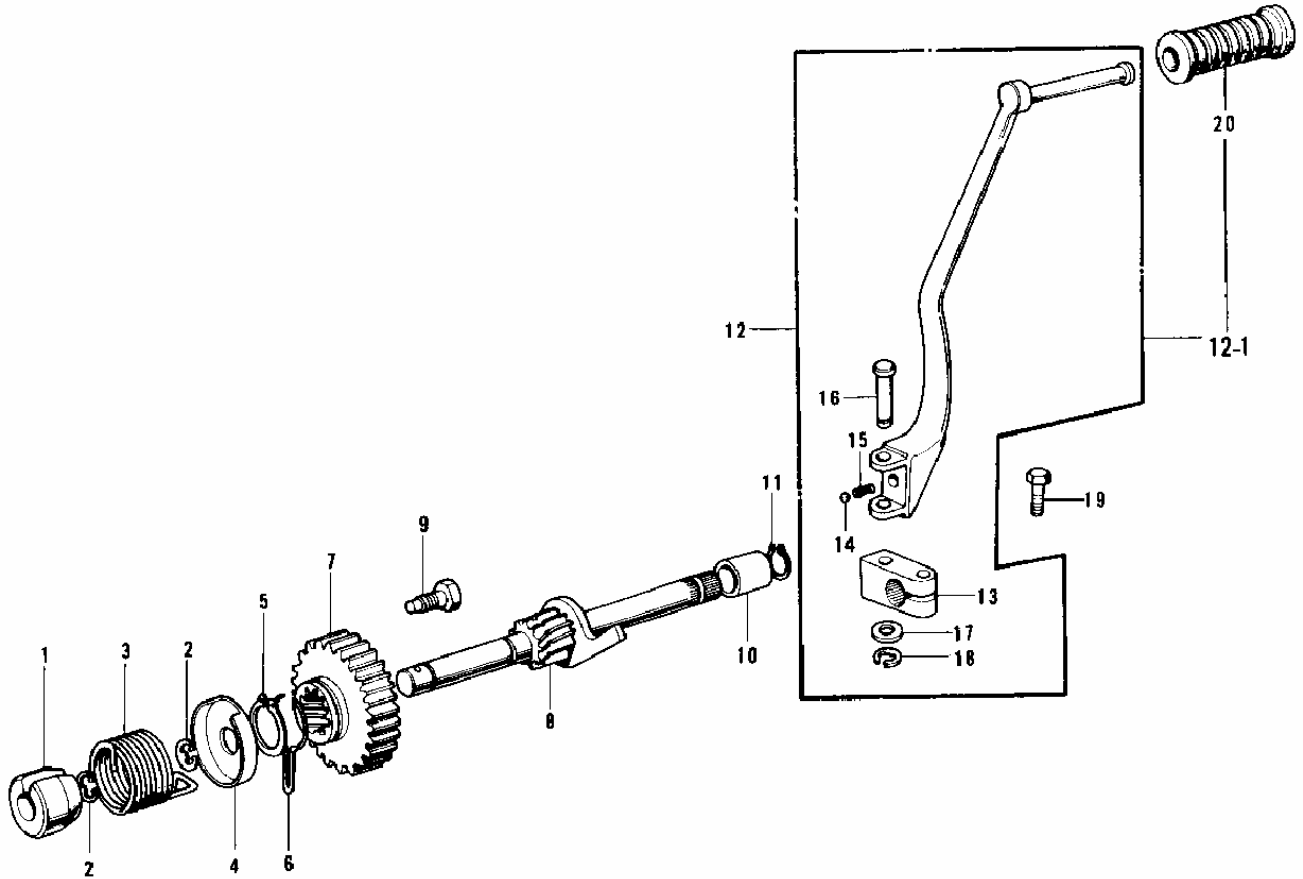
Ref #	Part #	Description	Qty	Spec Code
1	21007-011	ROTOR S.G	1	
2	21007-012	ROTOR	1	
3	21076-007	YOKE ASSY	1	
4	461F0400	WASHER SPRING 4MM	12	
5	21088-009	BRUSH CARBON	1	
6	21155-001	PLATE-YOKE	1	
7	220R0455	SCREW	3	
8	461F0500	WASHER SPRING 5MM	3	
9	411B0500	WASHER PLAIN 5MM	3	
10	21085-004	SCREW PAN HEAD 4X8	8	
10	220B0408	SCREW PAN HEAD 4X8	8	
11	21020-020	POINTER-IGN TIMING	1	
12	410B0400	WASHER PLAIN 4MM	4	
13	220B0425	SCREW PAN HEAD 4X25	1	
14	220B0406	SCREW PAN HEAD 4X6	1	
15	21156-001	PLATE-PICK UP	1	
16	220B0310	SCREW-PAN-CROS	2	
17	461F0300	WASHER SPRING 3MM	2	
18	21152-002	PICK UP	1	
19	21098-007	CLAMP-LEAD WIRE	2	
20	21029-009	WIRING HARNESS	1	
21	110B0873	BOLT HEX HEAD 8X73	1	
22	461F0800	WASHER SPRING 8MM	1	
23	411B0800	WASHER PLAIN 8MM	1	
24	21150-003	ONCORD ASY-HIGH TENSI	1	
25	21121-032	COIL IGNIT ION	1	
26	21126-003	BAND IGNITION COIL	1	
27	110R0635	BOLT 6X35	2	
28	461F0600	WASHER SPRING 6MM	14	
29	311B0600	NUT 6MM	4	
30	92115-002	PROTECTOR -CORD	2	
31	92101-001	SPRING-SPARK PLUG CAP	3	
32	21130-009	CAP SPARK PLUG	3	
33	21119-006	IGNITION UNIT A	1	
34	21120-004	IGNITION UNIT B	1	
35	21072-004	REGULATOR VOLTAGE	1	
36	21061-008	RECTIFIER	1	
37	112G0618	BOLT -UPSET	6	
38	112G0612	BOLT -UPSET, 6X12	4	
39	411B0600	WASHER PLAIN 6MM	2	
40	92114-002	PROTECTOR CORD	1	

FRONT



KICKSTARTER MECHANISM ('69-'72 H1/A/B/C)

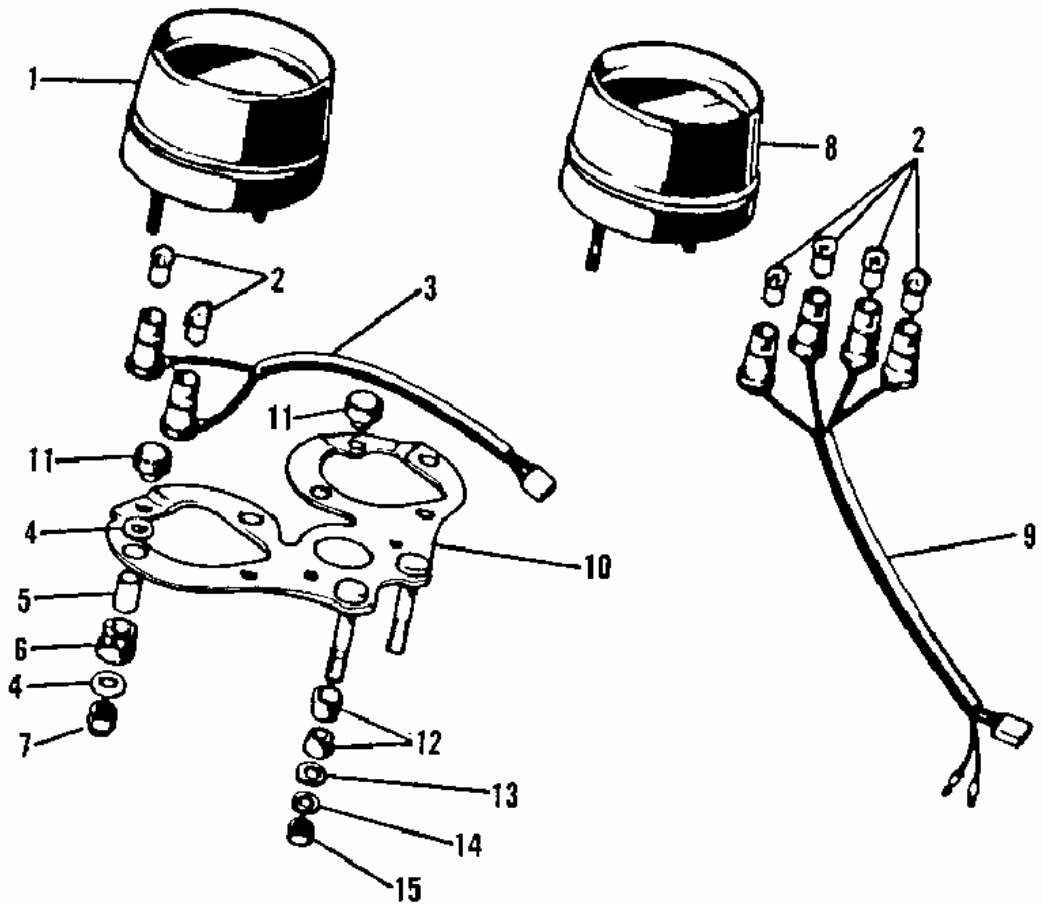
Ref #	Part #	Description	Qty	Spec Code
1	13070-001	GUIDE KICK SPRING	1	
2	482J0100	CIRCLIP 10MM	2	
3	92081-021	SPRING KICKSTARTER	1	
4	13071-003	PLATE KICK GEAR HLDER	1	
5	480J2600	CIRCLIP 26MM	1	
6	13077-002	HOLDER KICK GEAR	1	
7	13068-015	GEAR KICKSTARTER	1	
8	13245-009	SHAFT ASY, KICKSTARTER	1	
9	13072-006	STOPPER KICKSTARTER	1	
10	92028-072	BUSH	1	
11	480J1600	CIRCLIP 16MM	1	
12	13061-007	BOSS KICK PEDAL	1	H1/A
13	600A0600	BALL STEEL 3/16'	1	
14	92081-020	SPRING KICK PEDAL	1	
15	92001-071	BOLT 10MM	1	H1/A, USE
16	13064-016	PEDAL, KICKSTARTER	1	H1/A
16-1	13064-016	PEDAL, KICKSTARTER	1	H1-B/C
16-1	13064-016	PEDAL, KICKSTARTER	1	INCLUDES RE
17	13063-004	RUBBER KICK PEDAL	1	
18	92095-011	WASHER-SPRING	1	H1/A, USE
19	92043-075	PIN-KICKSTARTER	1	H1-B/C USE WITH 13064-016
20	92001-101	BOLT-KICK PEDAL	1	H1-B/C USE WITH 13064-016
21	410B0800	WASHER PLAIN 8MM	1	H1-B/C USE WITH 13064-016
22	482K5000	CIRCLIP 5MM	1	H1-B/C USE WITH 13064-016
23	13061-013	BOSS-KICK PEDAL	1	H1-B/C USE WITH 13064-016



KICKSTARTER MECHANISM ('73-'75 D/E/F & '76 KH500-A8)

Ref #	Part #	Description	Qty	Spec Code
1	13070-001	GUIDE KICK SPRING	1	
2	482J0100	CIRCLIP 10MM	2	
3	92081-021	SPRING KICKSTARTER	1	
4	13071-003	PLATE KICK GEAR HLDER	1	
5	480J2600	CIRCLIP 26MM	1	
6	13077-002	HOLDER KICK GEAR	1	
7	13068-015	GEAR KICKSTARTER	1	
8	13245-009	SHAFT ASY,KICKSTARTER	1	HI-D

8	13245-009	SHAFT ASY,KICKSTARTER	1	H1-E/F, KH500-A8
9	13072-006	STOPPER KICKSTARTER	1	
10	92028-072	BUSH	1	
11	480J1600	CIRCLIP 16MM	1	
12	13064-016	PEDAL, KICKSTARTER	1	H1-D
12-1	13064-016	PEDAL, KICKSTARTER	1	H1-E/F, KH500-A8
13	13061-013	BOSS-KICK PEDAL	1	H1-D
13	13061-020	BOSS,KICK PEDAL	1	H1-E/F, KH500-A8
14	600A0800	BALL STEEL 1/4'	1	
15	92081-020	SPRING KICK PEDAL	1	
16	92043-075	PIN-KICKSTARTER	1	
17	410B0800	WASHER PLAIN 8MM	1	
18	482K5000	CIRCLIP 5MM	1	
19	92001-101	BOLT-KICK PEDAL	1	
20	13063-004	RUBBER KICK PEDAL	1	

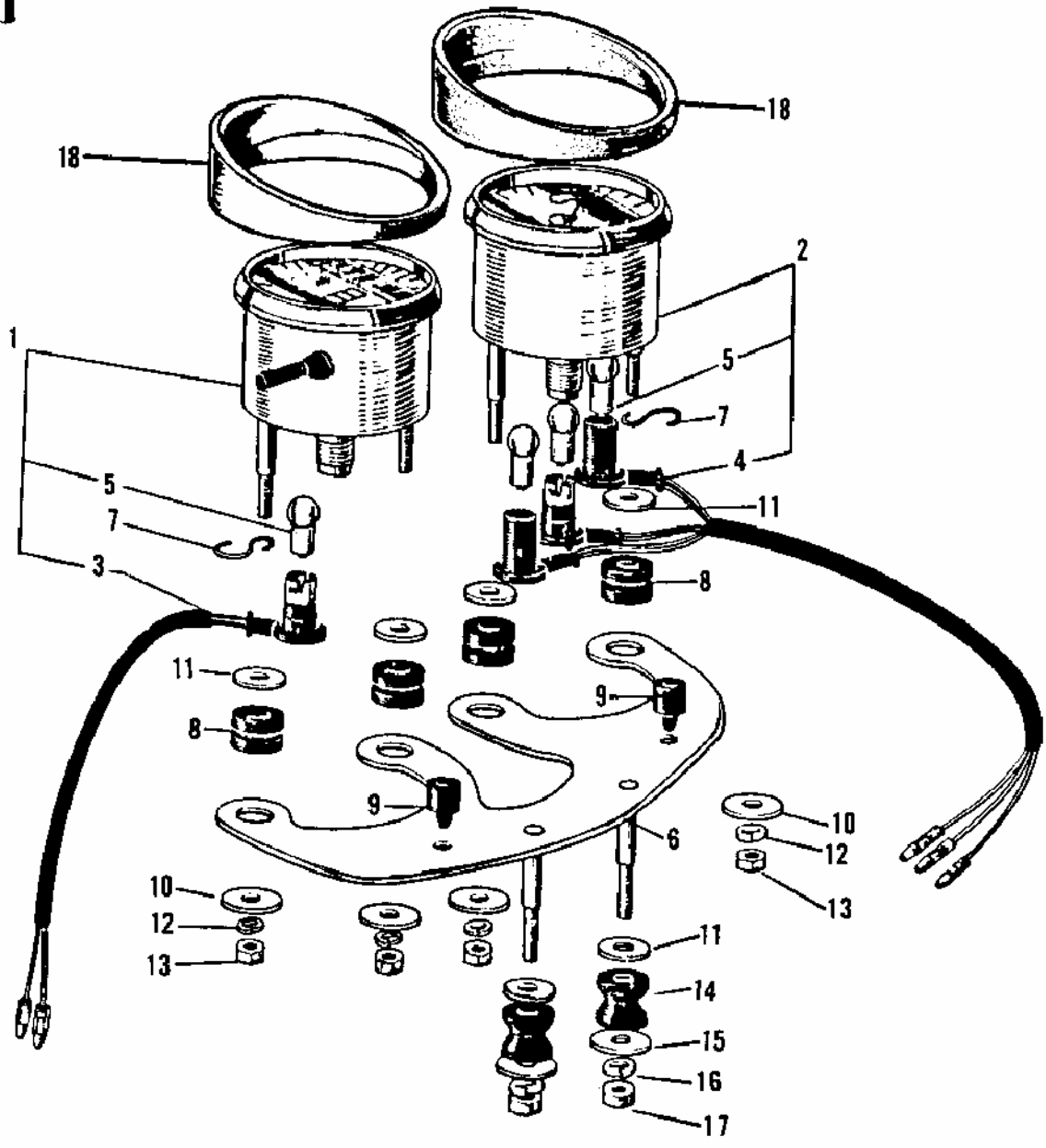


METERS (H1-B)

Ref #	Part #	Description	Qty	Spec Code
1	25005-052	SPEEDOMETER ASSY, MPH	1	INCLUDES REF. #S 2-7
2	92069-018	BULB 12V 3W	6	
3	25011-020	SOCKET -SPEEDOMETER	1	
4	92022-194	WASHER-METER FITTING	8	
5	92027-140	COLLAR	4	

6	92075-089	DAMPER RUBBER-MTR FIT	4	
7	92015-009	NUT, 6MM	4	
8	25016-014	TACHOMETER ASSY	1	INCLUDES REF. #'S 2,4-9
9	25011-021	SOCKET -TACHOMETER	1	
10	25008-014	BRAK CET-METER	1	
11	92075-090	DAMPER RUBBER-MTR BKT	3	
12	92075-080	DAMPER RUBBER	4	
13	411B0800	WASHER PLAIN 8MM	2	
14	461F0800	WASHER SPRING 8MM	2	
15	311B0800	NUT, 8MM	2	

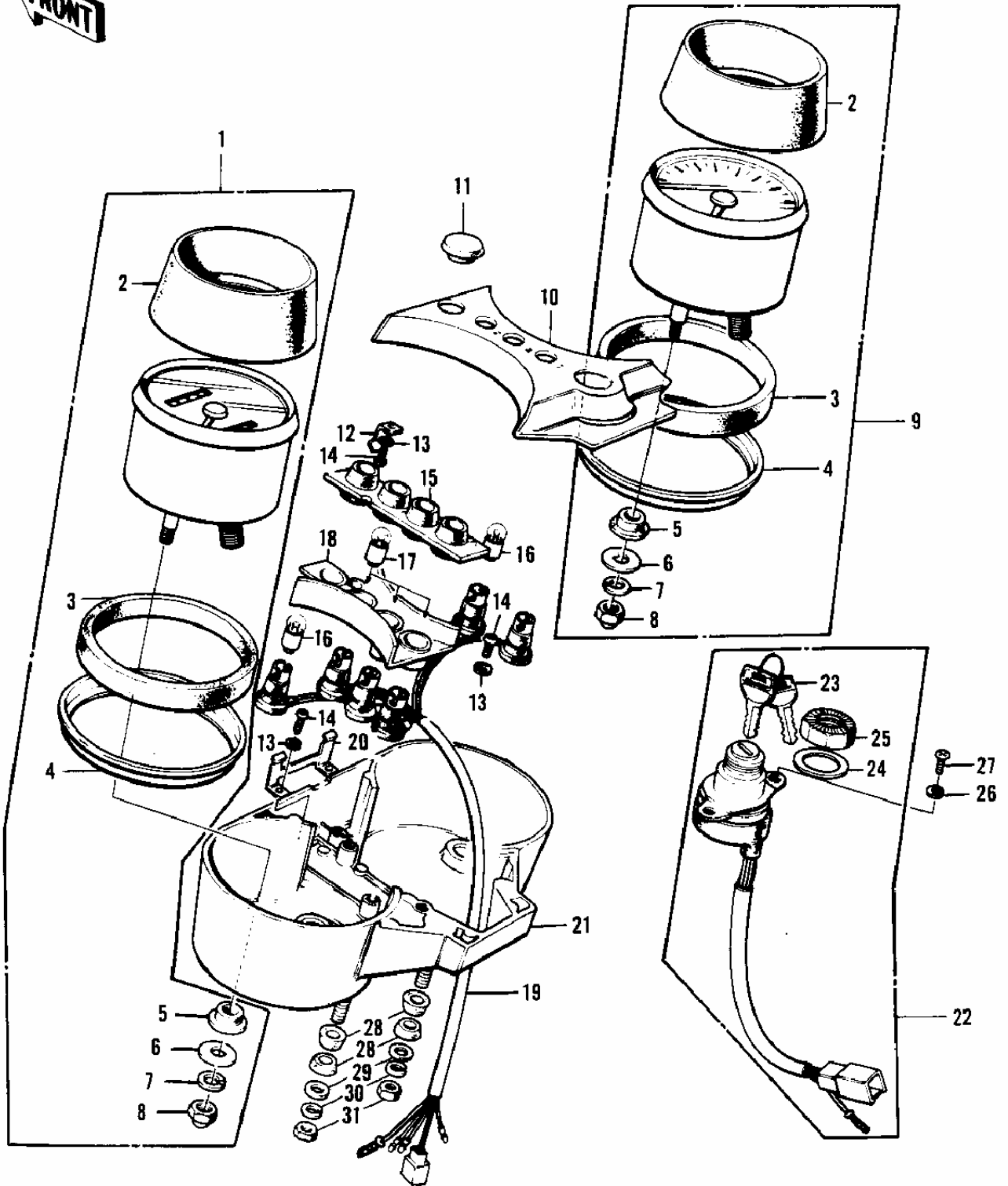
FRONT



METERS (H1/A/C)

Ref #	Part #	Description	Qty	Spec Code
1	25005-027	SPEEDOMETER ASSY MPH	1	
2	25015-006	TACHOMETER ASSY	1	
3	25011-003	SOCKET SPEEDOMETER	1	
4	25011-011	SOCKET TACHOMETER	1	
5	92069-018	BULB 12V 3W	4	
6	25008-009	BRACKET SPEEDOMETER	1	
7	25022-002	CLAMP CABLE	2	
8	92075-034	DAMPER RUBB SPEEDMETR	4	
9	92075-035	DAMPER RUBB SPEEDMETR	2	
10	92022-104	WASHER PL 5.5X20X1.2	4	
11	411B0800	WASHER PLAIN 8MM	6	
12	461F0500	WASHER SPRING 5MM	4	
13	311B0500	NUT, 5MM	4	
14	92075-024	DAMPER RUBB SPEEDMETR	2	
15	92022-125	WASHER 6.5X20X1.6T	2	
16	461F0600	WASHER SPRING 6MM	2	
17	311B0600	NUT 6MM	2	
18	25012-003	COVER-SPEEDOMETER	2	H1-C

FRONT

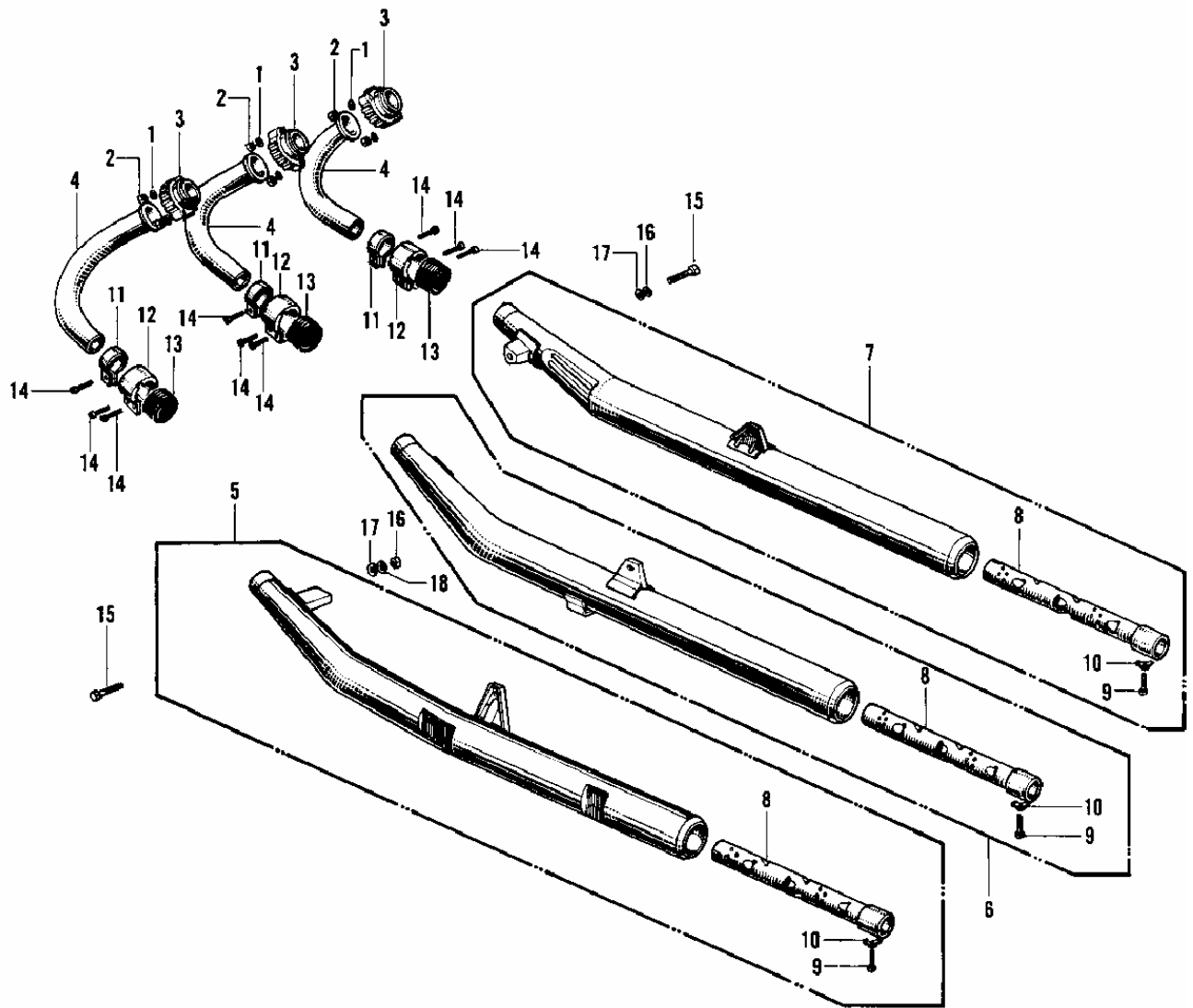


METERS/IGNITION SWITCH ('73-'75 D/E/F & 76 KH500-A8)

Ref #	Part #	Description	Qty	Spec Code
1	25005-090	SPEEDOMETER ASSY, MPH	1	H1-D
1	25005-109	SPEEDOMETER ASSY, MPH	1	H1-E
1	25005-124	SPEEDOMETER ASSY, MPH	1	H1-F
1	25005-124	SPEEDOMETER ASSY, MPH	1	KH500- A8
1	25005-111	SPEEDOMETER ASSY KPH (Canada)	1	CANADA
2	25012-012	COVER-METER	2	
3	25019-015	DAMPER RUBBER-METER	2	
4	25026-001	RING-METER	2	
5	25019-013	DAMPER RUBBER-METER	4	
6	411B0500	WASHER PLAIN 5MM	4	
7	461F0500	WASHER SPRING 5MM	4	
8	92015-059	NUT, 5MM	4	
9	25015-026	TACHOMETER ASSY	1	
10	25023-002	COVER-METER CASE	1	H1-D
10	25023-009	COVER,METER CASE	1	H1-E/F, KH500-A8
11	92074-032	PLUG, RUBBER	1	
12	25014-004	HOLDER-METER CASE COV	2	
13	461F0400	WASHER SPRING 4MM	6	
14	220B0408	SCREW PAN HEAD 4X8	6	
15	25019-014	DAMPER RUBBER-METER	1	
16	92069-018	BULB 12V 3W	5	
17	92069-017	BULB 12V 1.5W	1	
18	25023-003	COVER-METER SOCKET	1	
19	25011-029	SOCKET -METER	1	H1-D
19	25011-040	SOCKET, METER.	1	H1-E/F, KH500-A8
20	25014-003	HOLDER-METER CASE	1	
21	25008-026	CASE-METER	1	
22	27005-050	SWITCH ASSY, IGNITION	1	H1-D
22	27005-054	SWITCH ASSY, IGNITION	1	H1-E/F, KH500-A8
23	27008-048-90	KEY SET, #190	AR	H1-D
23	27008-048-95	KEY SET, #195	AR	H1-D
23	27008-055-11	KEY SET, #911	AR	H1-D
23	27008-055-25	KEY SET, #925	AR	H1-E/F, KH500-A8
23	27008-1024	KEY, BLANK	AR	
23	27008-1025	KEY, BLANK	AR	

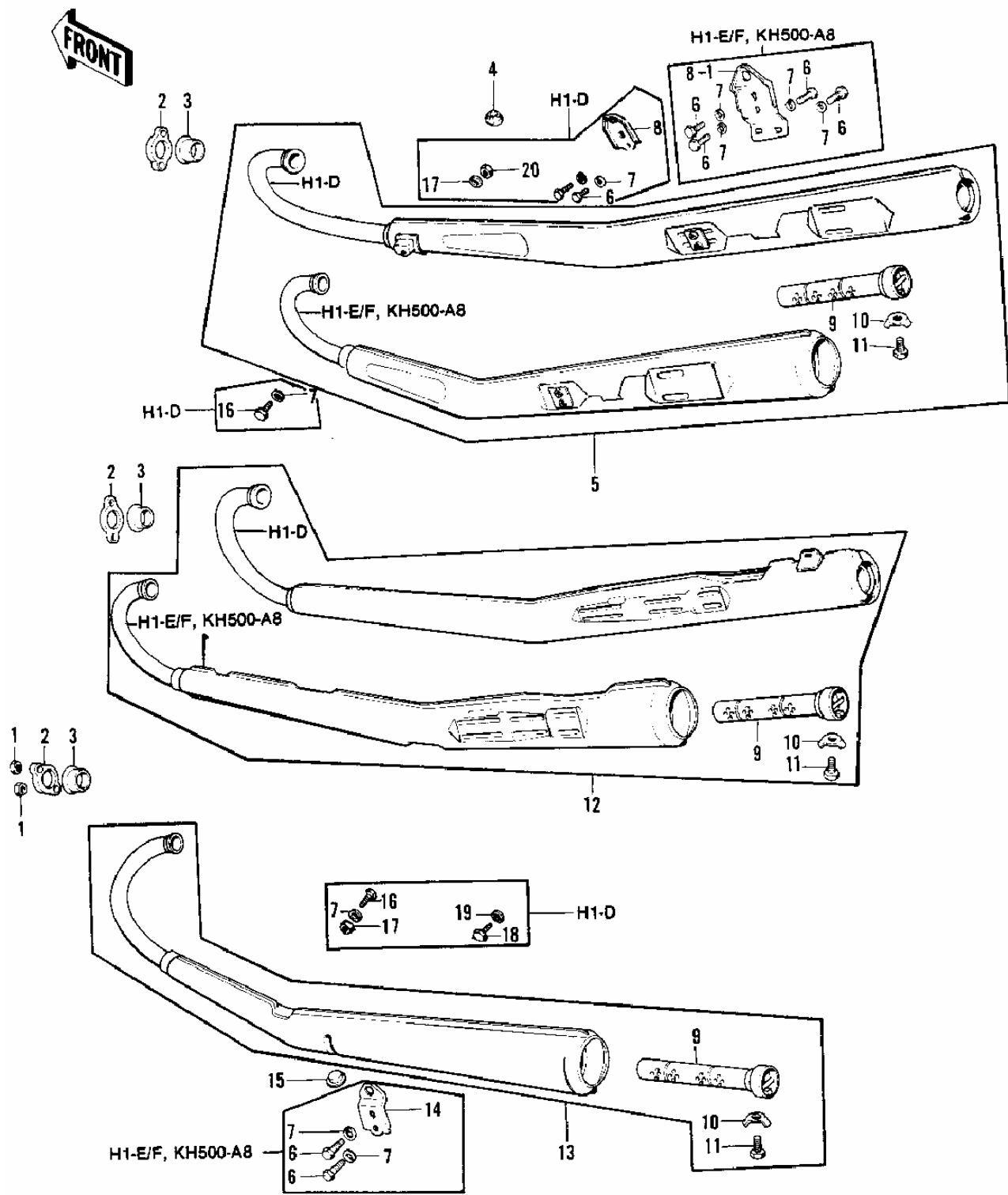
24	27019-002	WASHER-IGNITION	1
25	27007-003	NUT -IGNITION SWITCH	1
26	461F0500	WASHER SPRING 5MM	2
27	220B0508	SCREW PAN HEAD 5X8	2
28	92075-080	DAMPER RUBBER	4
29	411B0800	WASHER PLAIN 8MM	2
30	461F0800	WASHER SPRING 8MM	2
31	311B0800	NUT, 8MM	2

FRONT



MUFFLERS ('69-'72 H1/A/B/C)

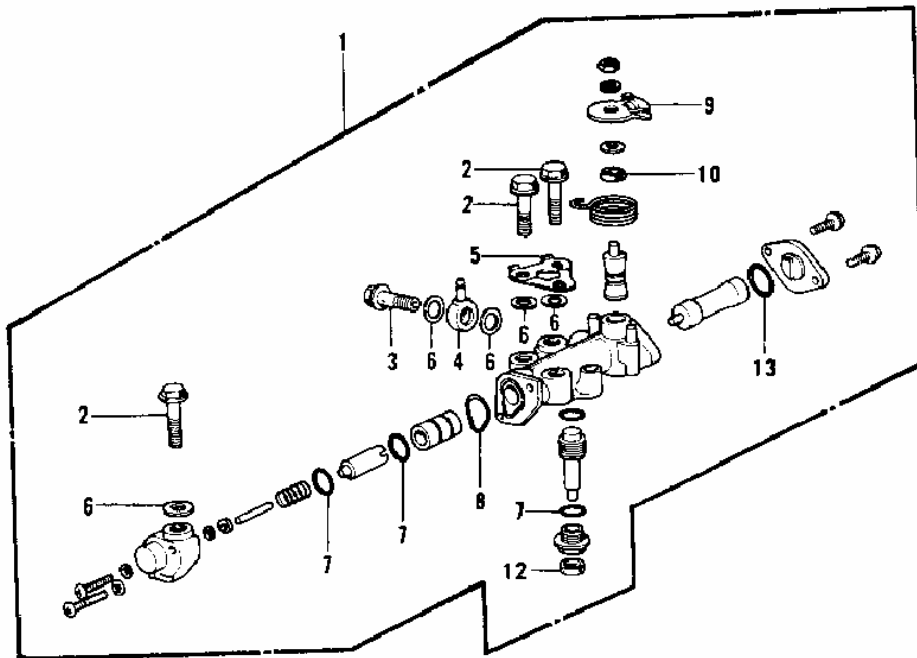
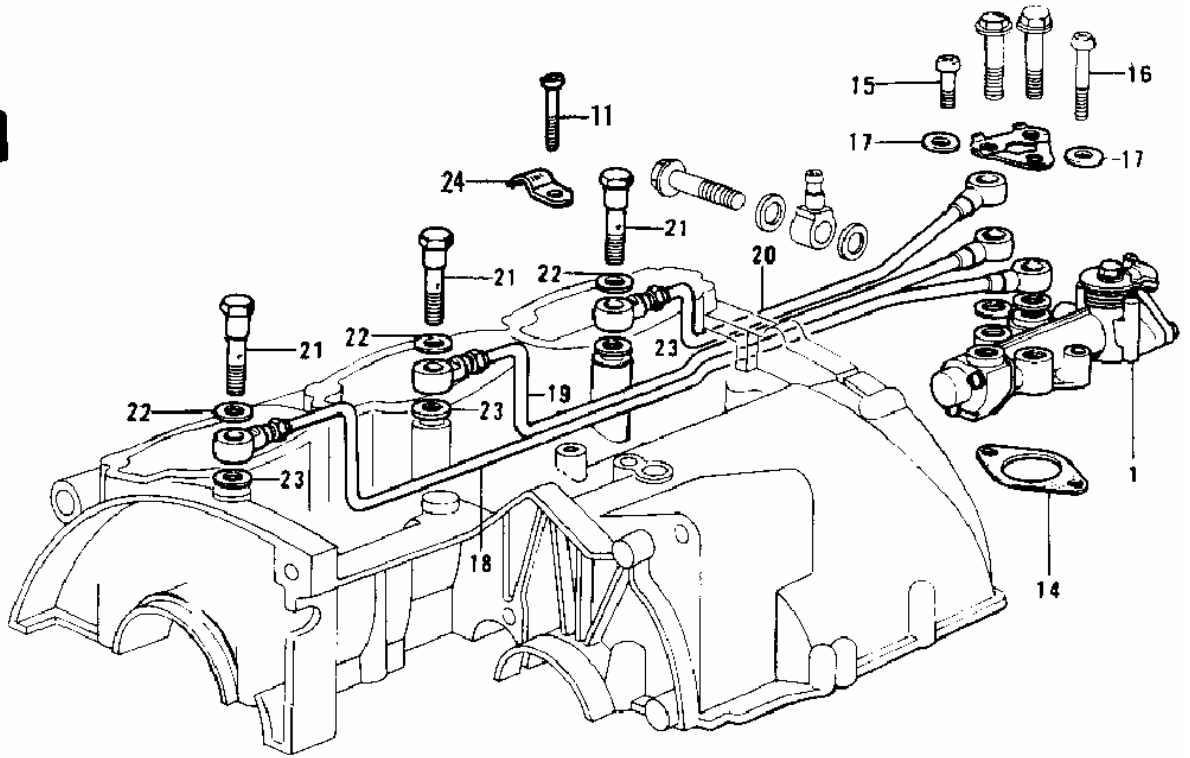
Ref #	Part #	Description	Qty	Spec Code
1	461F0600	WASHER SPRING 6MM	6	
2	311B0600	NUT 6MM	6	
3	18069-024	HOLDER EXHAUST PIPE	3	
4	18049-050	PIPE EXHAUST	3	
5	18001-063	MUFFLER ASSY, L.H.	1	H1/A/C
5	18001-063	MUFFLER ASSY, L.H.	1	H1-B
6	18001-023	MUFFLER ASSY	1	H1-A/C
6	18001-064	MUFFLER ASSY, CENTER	1	H1-B
7	18001-024	MUFFLER ASSY	1	H1/A/C
7	18001-065	MUFFLER ASSY, R.H.	1	H1-B
8	18033-027	BAFFLE TUBE	3	H1/A/C
8	18033-051	BAFFLE TUBE	3	H1-B
9	112G0612	BOLT-UPSET, 6X12	3	
10	92024-016	WASHER LOCK 6MM	3	
11	18044-007	HOLDER MUFFLER CONECT	3	
12	18044-006	HOLDER MUFFLER CONECT	3	
13	18043-010	CONNECTOR MUFFLER	3	
14	220B0625	SCREW PAN HEAD 6X25	9	
15	115G0820	BOLT, 8X20	2	
16	461F0800	WASHER SPRING 8MM	2	
17	411B0800	WASHER PLAIN 8MM	2	
18	311B0800	NUT, 8MM	1	



MUFFLERS ('73-'75 D/E/F & '76 A8)

Ref #	Part #	Description	Qty	Spec Code
1	311B0600	NUT 6MM	6	H1-D
1	311B0800	NUT, 8MM	6	H1-E/F
1	311B0800	NUT, 8MM	6	KH500-A8
2	18069-044	HOLDER, EXHAUST	3	H1-D
2	18069-049	HOLDER, EXHAUST	3	H1-E/F, KH500-A8
3	18070-007	INSERT, EXHAUST HOLDER	3	
4	92075-006	DAMPER RUBBER	1	H1-E/F, KH500-A8
5	18001-086	MUFFLER ASSY, R.H	1	H1-D
5	18001-164	MUFFLER ASSY, R.H	1	H1-E
5	18001-164	MUFFLER ASSY, R.H	1	H1-F
5	18001-179	MUFFLER ASSY, R.H	1	KH500-A8
6	115B0814	BOLT-SMALL-UPSET, 8X14	4	H1-D
6	115B0814	BOLT-SMALL-UPSET, 8X14	6	H1-E/F, KH500-A8
7	461F0800	WASHER SPRING 8MM	6	
8	18061-039	BRACKET,MUFFLER	2	H1-D
8-1	18061-050	BRACKET, MUFFLER, R.H	1	H1-E/F, KH500-A8
9	18033-064	BAFFLE TUBE	3	
10	92024-016	WASHER LOCK 6MM	3	
11	112G0612	BOLT-UPSET, 6X12	3	
12	18001-085	MUFFLER ASSY, CENTER	1	H1-D
12	18001-163	MUFFLER ASSY, CENTER	1	H1-E
12	18001-163	MUFFLER ASSY, CENTER	1	H1-F
12	18001-178	MUFFLER ASSY, CENTER	1	KH500-A8
13	18001-084	MUFFLER ASSY, L.H	1	H1-D
13	18001-162	MUFFLER ASSY L.H.	1	H1-E
13	18001-162	MUFFLER ASSY L.H.	1	H1-F
13	18001-177	MUFFLER ASSY, L.H	1	KH500-A8
14	18061-049	BRACKET, MUFFLER, L.H	1	H1-E/F, KH500-A8
15	92075-015	DAMPER RUBB MAIN STAD	1	
16	115G0825	BOLT-SMALL-UPSET 8X25	2	H1-D
17	411B0800	WASHER PLAIN 8MM	2	H1-D
18	113G1018	BOLT, HEX HEAD, 10X18	1	H1-D
19	461F1000	WASHER SPRING 10MM	1	H1-D
20	311B0800	NUT, 8MM	1	H1-D

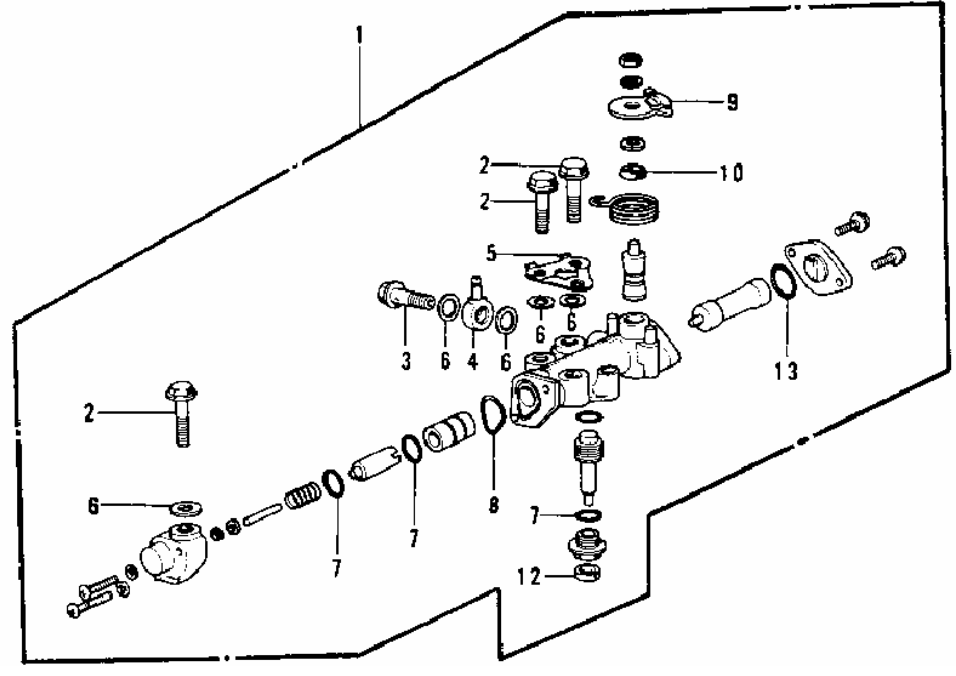
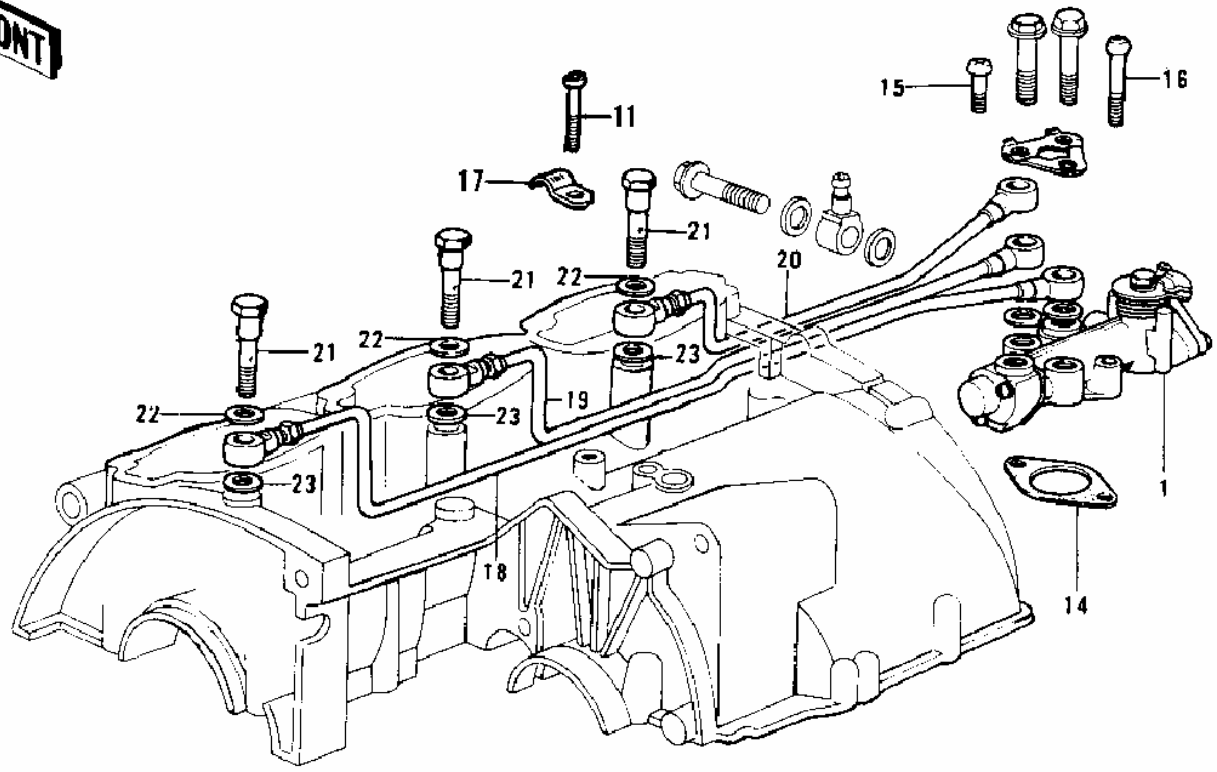
FRONT



OIL PUMP ('69-'72 H1/A/B/C)

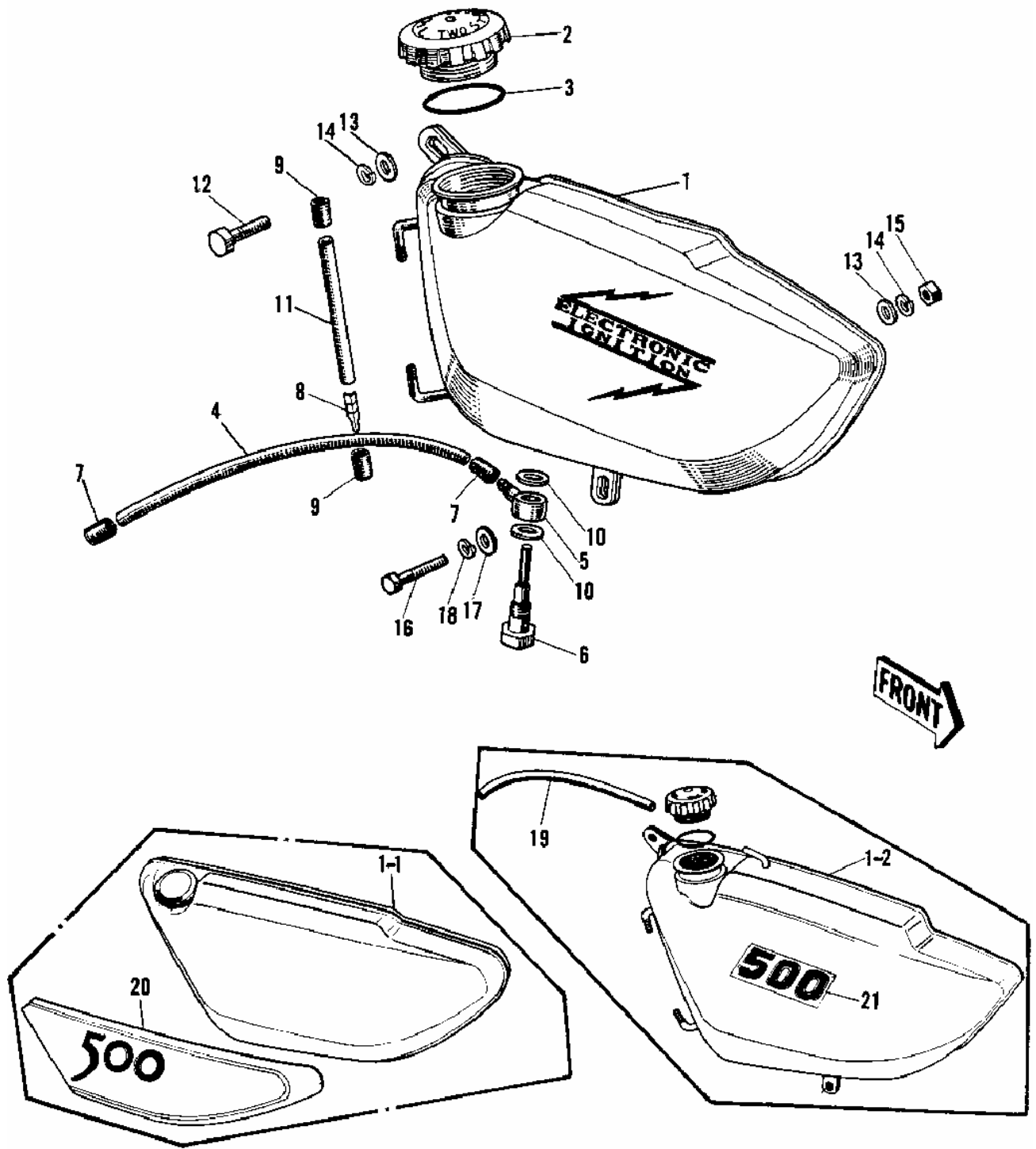
Ref #	Part #	Description	Qty	Spec Code
1	16082-040	OIL PUMP ASSY	1	
2	92060-008	BOLT BANJO	3	
3	92060-009	BOLT BANJO	1	
4	92061-015	CONNECTOR BANJO	1	
5	92024-058	WASHER,OIL PUMP LOCK	1	
6	92022-077	WASHER OIL PUMP BANJO	5	
7	16090-002	"0" RING,OIL PUMP SHT	3	
8	16088-002	"0" RING,UPPER CAP	1	
9	16096-003	LEVER-OIL PUMP CABLE	1	
10	92049-1294	SEAL-OIL,CAMSHAFT,"X"	1	
11	220B0610	SCREW PAN HEAD 6X10	1	
12	16091-001	OIL SEAL OIL PUMP SHT	1	
13	16090-003	"0" RING, LOWER CAP	1	
14	11060-1160	GASKET, OIL PUMP	1	
15	220B0514	SCREW-PAN-CROS	1	
16	220B0528	SCREW PAN CROSS, 5X28	1	
17	92022-037	WASHER OIL PUMP	2	
18	16134-004	UNAVAILABLE IN PRICE BOOK	1	NO LONGER AVAIL.
18	16138-001	PIPE SET -OIL, L.H	1	NO LONGER AVAIL.
18	16134-007	PIPE OIL	1	NO LONGER AVAIL.
19	16134-005	UNAVAILABLE IN PRICE BOOK	1	NO LONGER AVAIL.
19	16138-002	PIPE SET -OIL, CENTER	1	NO LONGER AVAIL.
19	16134-008	PIPE OIL	1	NO LONGER AVAIL.
20	16134-006	UNAVAILABLE IN PRICE BOOK	1	NO LONGER AVAIL.
20	16138-003	PIPE SET -OIL, R.H	1	NO LONGER AVAIL.
20	16134-009	PIPE OIL	1	NO LONGER AVAIL.
21	92001-061	BOLT BANJO	3	USE FOR 16134-004/005/006
21	92060-010-79	BOLT-BANJO, CR	3	USE FOR 16134-007/008/009
22	92065-023	GASKET CHECK VALVE	3	USE WITH 92001-061
22	92065-058	GASKET CHECK VALVE	3	USE WITH 92060-010-79
23	92065-023	GASKET CHECK VALVE	3	
24	16068-004	HOLDER OIL PIPE	1	

FRONT



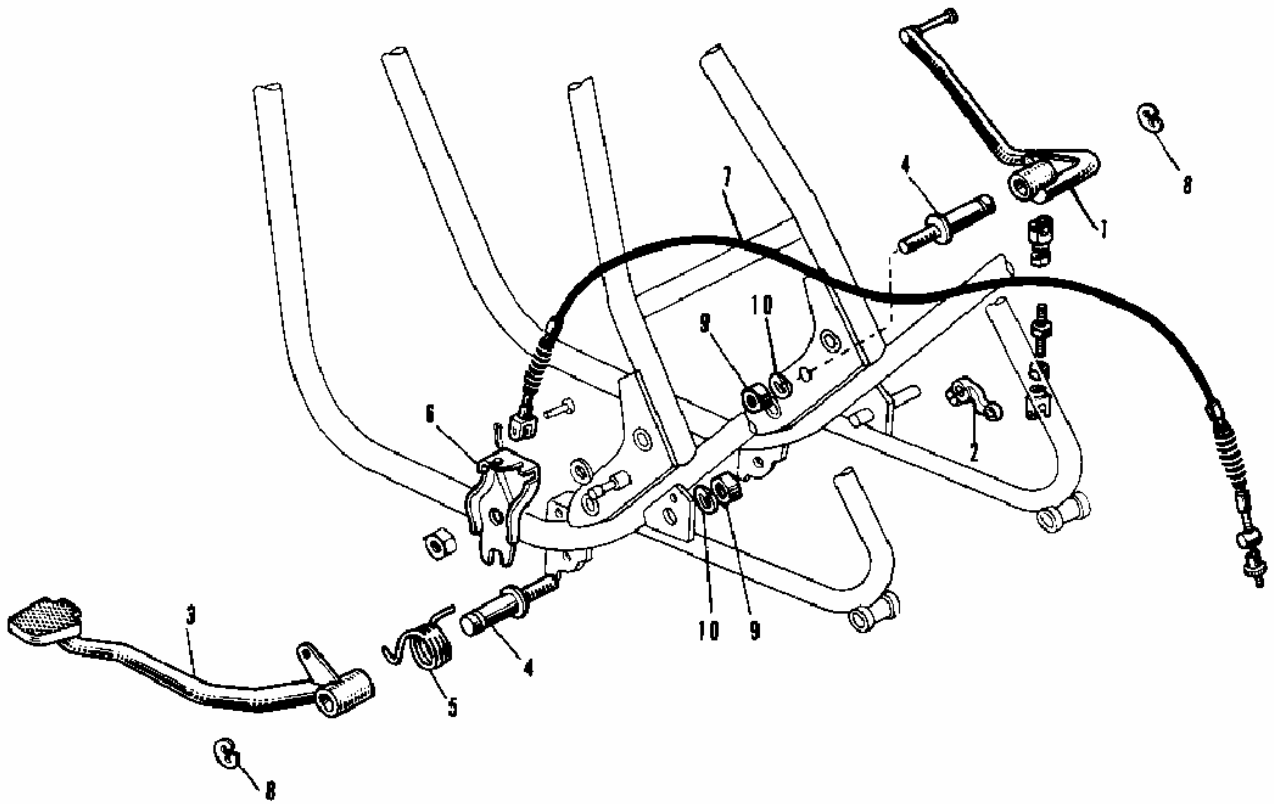
OIL PUMP ('73-'75 D/E/F & '76 A8)

Ref #	Part #	Description	Qty	Spec Code
1	16082-040	OIL PUMP ASSY	1	
2	92060-008	BOLT BANJO	3	
3	92060-009	BOLT BANJO	1	
4	92061-015	CONNECTOR BANJO	1	
5	92024-058	WASHER, OIL PUMP LOCK	1	
6	92022-077	WASHER, OIL PUMP BANJO	5	
7	16090-002	"0" RING, OIL PUMP SHT	3	
8	16088-002	"0" RING, UPPER CAP	1	
9	16096-003	LEVER-OIL PUMP CABLE	1	
10	92049-1294	SEAL-OIL, CAMSHAFT, "X"	1	
11	220B0610	SCREW PAN HEAD 6X10	1	
12	16091-001	OIL SEAL OIL PUMP SHT	1	
13	16090-003	"0" RING, LOWER CAP	1	
14	11060-1160	GASKET, OIL PUMP	1	
15	220B0514	SCREW-PAN-CROS	1	
16	220B0528	SCREW PAN CROSS, 5X28	1	
17	16068-004	HOLDER OIL PIPE	1	
18	16134-007	PIPE OIL	1	
19	16134-008	PIPE OIL	1	
20	16134-009	PIPE OIL	1	
21	92060-010-79	BOLT-BANJO, CR	3	
22	92065-058	GASKET CHECK VALVE	3	
23	92065-023	GASKET CHECK VALVE	3	



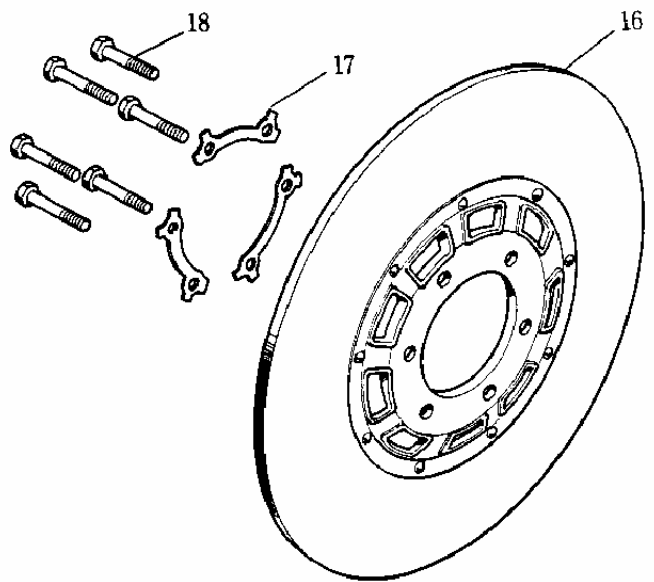
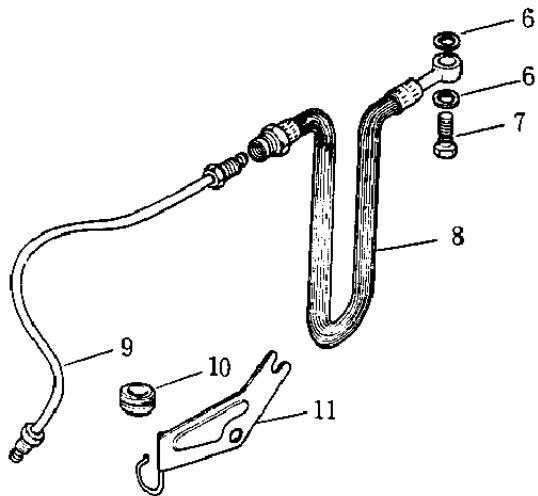
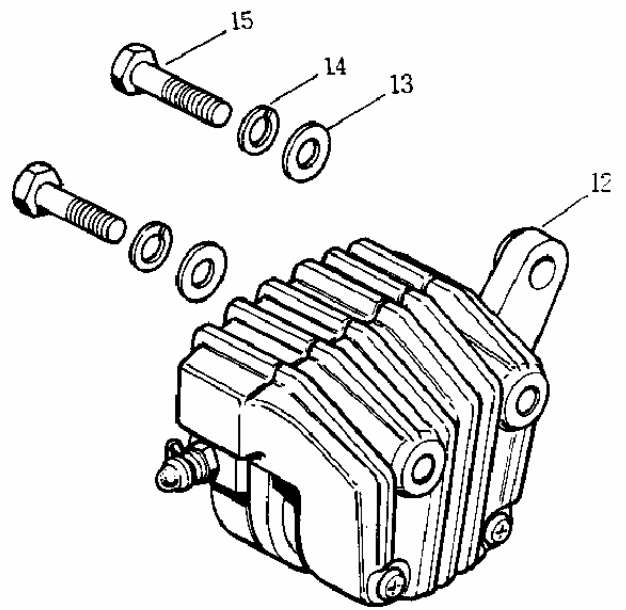
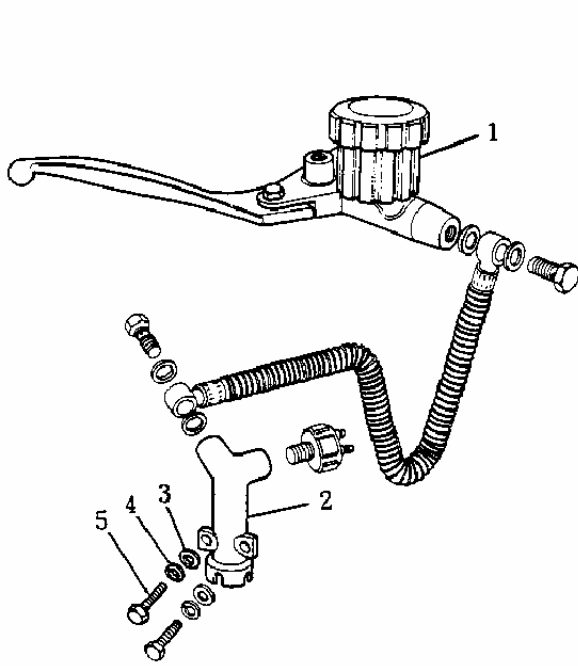
OIL TANK ('69-'72 H1/A/B/C)

Ref #	Part #	Description	Qty	Spec Code
1	52001-015-19	TANK OIL WHITE	1	1969 H1
1	52001-028-24	TANK-OIL,C.RED	1	1970 H1
1	52001-028-47	TANK-OIL,P.GRAY	1	1970 H1
1-1	52001-015-58	TANK-OIL,C.BLUE	1	H1-A
1-2	52001-028-67	TANK-OIL,P.C.ORANGE	1	H1-B/C
2	52003-009	CAPOIL TANK	1	H1/A
2	52003-009	CAPOIL TANK	1	H1-B/C
3	670B3036	"0" RING, 36MM	1	
4	92059-021	PIPE OIL TANK	1	
5	92061-003	CONNECTOR BANJO	1	
6	92060-001	BOLT OIL TANK BANJO	1	
7	92081-027	SPRING PIPE CLAMP B	2	
8	52005-004	GAUGE OIL LEVEL	1	
9	92037-040	CLAMP OIL LEVEL PIPE	2	
10	11009-1146	GASKET,10,2X15X1.5T	2	
11	700Q0695	TUBE-VINYL 6X95	2	
12	115G0818	BOLT-SMALL-UPSET,8X18	1	
13	411B0800	WASHER PLAIN 8MM	2	
14	461F0800	WASHER SPRING 8MM	2	
15	311B0800	NUT, 8MM	1	
16	112G0660	BOLT-UPSET	1	
17	411B0600	WASHER PLAIN 6MM	1	
18	461F0600	WASHER SPRING 6MM	1	
19	700Q05470	TUBE-VINYL 5X470	1	H1-B/C
20	56018-037	EMBLEM-OIL TANK	1	H1-A
21	56018-098	EMBLEM-SIDE COVER	1	H1-B/C



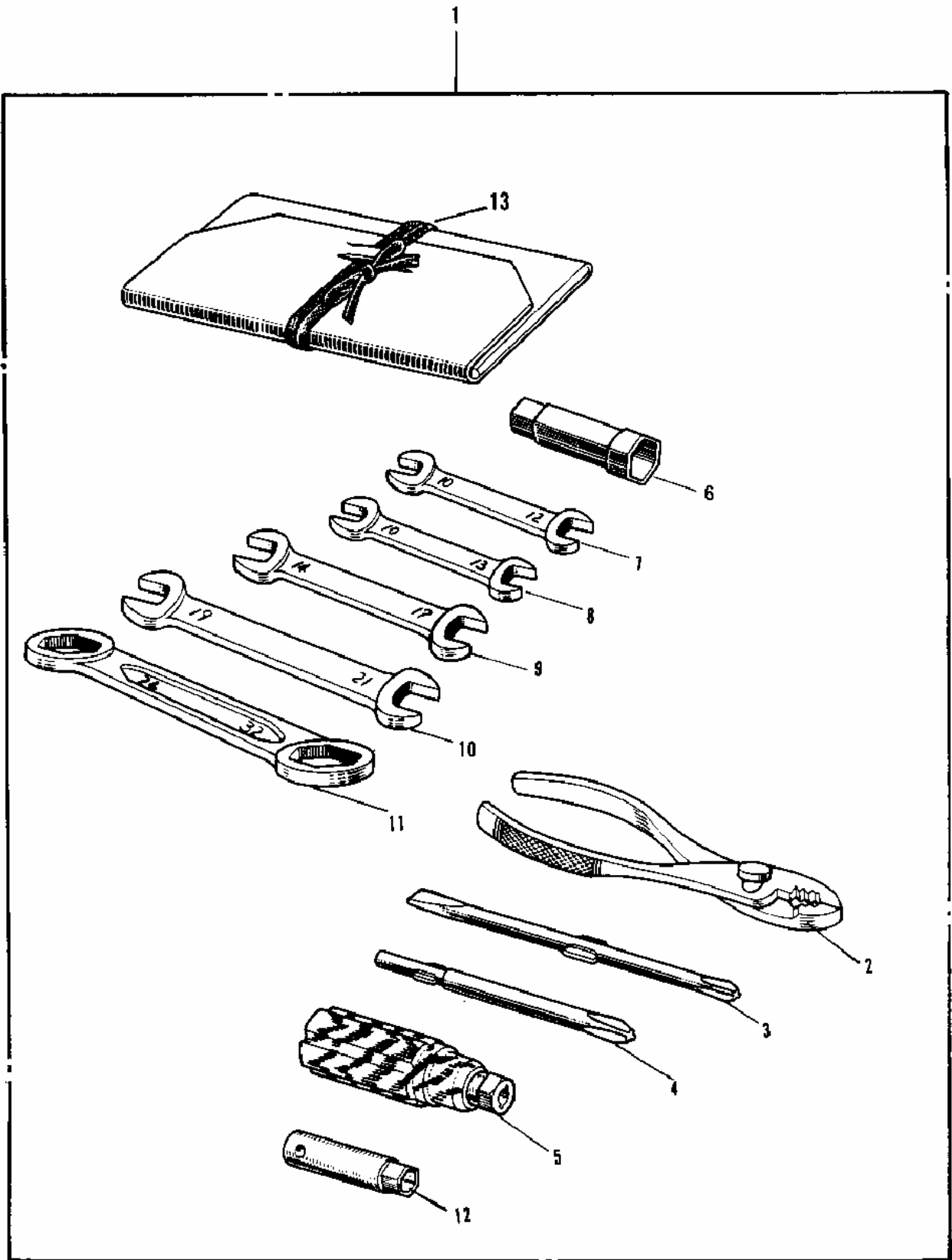
OPTIONAL PARTS ('69-'72 H1/A/B/C)

Ref #	Part #	Description	Qty	Spec Code
1	13156-028	PEDAL GR CHG OPT	1	
2	13158-005	LEVER-CHNG PEDAL OPT	1	
3	43001-028	PEDAL-BRAKE (OPTION)	1	
4	43004-006	SHAFT-BRK PEDAL (OPT)	2	
5	43005-012	SPRING BRAKE PEDAL	1	
6	32067-009	BRACKET CABLE	1	
7	54022-012	RR BRAKE CABLE (OPT)	1	
8	482K0200	CIRCLIP 12MM	2	
9	315B1200	NUT-HEX-FINE, 12MM	2	
10	461F1200	WASHER SPRING 12MM	2	



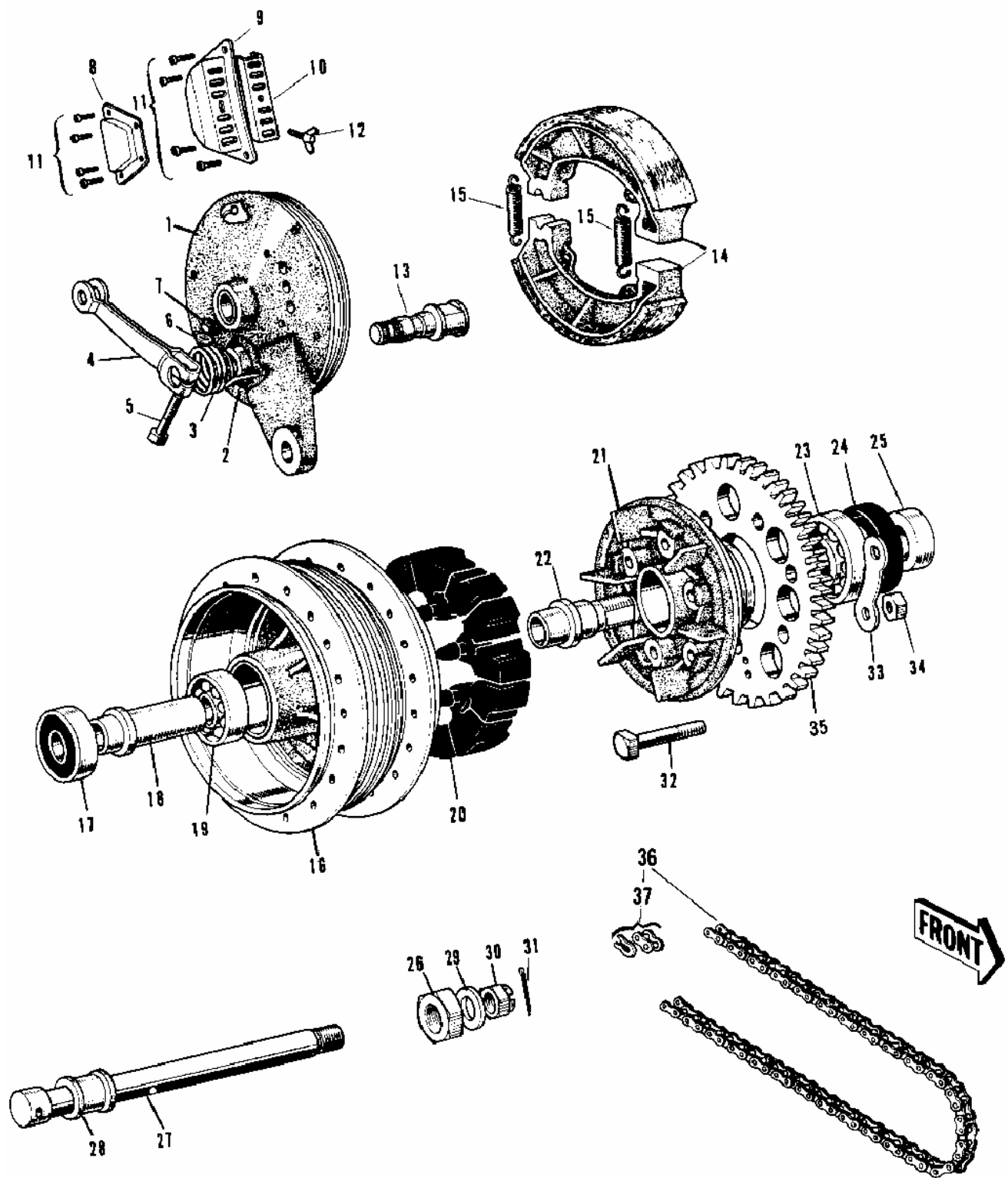
OPTIONAL PARTS (H1-B)

Ref #	Part #	Description	Qty	Spec Code
1-18	99990-516	R.H. DISC BRAKES H1/2	AR	
1	43015-018	CYLINDER ASSY, MASTER	1	
2	43075-001	JOINT -FOUR WAY	1	
3	410B0600	WASHER PLAIN 6MM	AR	
4	461F0600	WASHER SPRING 6MM	AR	
5	110N0632	BOLT-HEX HEAD, 6X32	2	
6	43067-001	WASHER-OIL BOLT	AR	
7	92002-1888	BOLT, OIL, L=23	1	
8	43059-1262	HOSE-BRAKE, L=350	1	
9	43060-002	PIPE-FRONT BRAKE, R.H	1	
10	43064-001	GROMMET -HOSE BRACKET	AR	
11	43063-003	BRACKET-BRAKE HOSE	1	
12	43041-002	CALIPER ASSY, R.H	1	
13	410B1000	WASHER PLAIN 10MM	AR	
14	461F1000	WASHER SPRING 10MM	AR	
15	43070-001	BOLT-HEX HEAD, 10X43	2	
16	41080-001	DISC PLATE-FRONT BRK	1	
17	92088-014	WASHER-LOCK, 8MM	3	
18	92001-104	BOLT-HEX HEAD, 8X28	6	
18	43073-005	REPAIR ASY, MASTER CYL	AR	



OWNER TOOLS ('69-'72 H1/A/B/C)

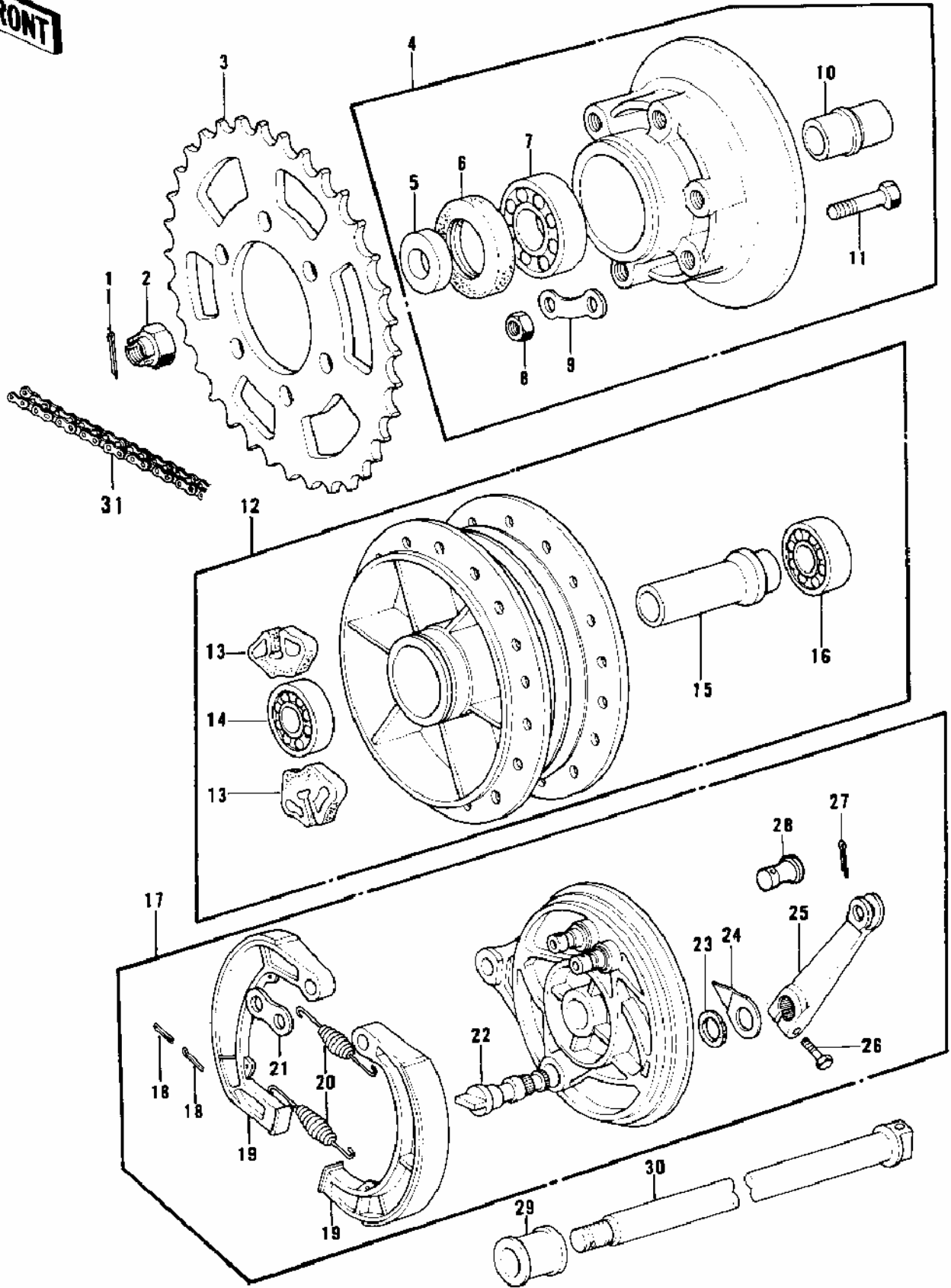
Ref #	Part #	Description	Qty	Spec Code
1	56007-017	UNAVAILABLE IN PRICE BOOK	1	
2	92112-001	92112-003 (Canada)	1	
3	92107-1052	TOOL-DRIVER	1	
4	92107-005	SCREW DRIVER #3 PHLIP	1	
5	92106-002	92106-1001 (Canada)	1	
6	92110-008	92110-012 (Canada)	1	
7	960B1012	UNAVAILABLE IN PRICE BOOK	1	
8	960B1013	UNAVAILABLE IN PRICE BOOK	1	
9	960B1417	UNAVAILABLE IN PRICE BOOK	1	
10	960B1921	UNAVAILABLE IN PRICE BOOK	1	
11	92109-002	WRENCH BOX 24X32	1	
12	92110-007	WRENCH BOX 10MM	1	
13	56008-008	BAG, TOOL	1	



REAR HUB/BRAKE/CHAIN ('69-'72 H1/A/B/C)

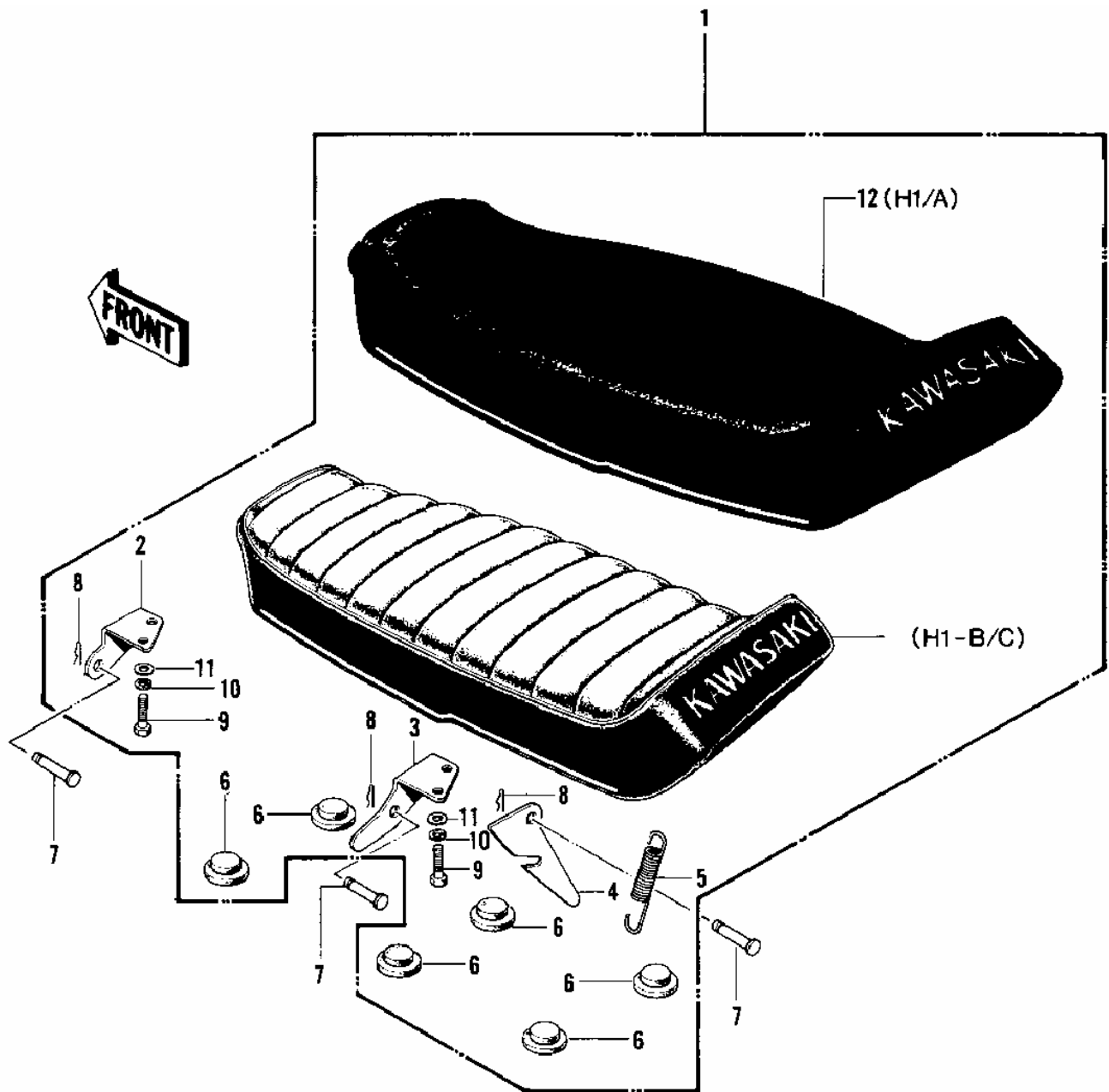
Ref #	Part #	Description	Qty	Spec Code
1	42006-013-21	PANEL-ASY, RR BRK, F.B.	1	H1/A/C
1	42006-013-21	PANEL-ASY,RR BRK,F.B.	1	H1-B
2	41051-001	DUST SHIELD BRAKE CAM	1	
3	41056-003	SPRING BRAKE CAM LEV	1	
4	42029-037	LEVER,REAR BRAKE CAM	1	
5	112G0640	BOLT-UPSET, 6X40	1	
6	411B0600	WASHER PLAIN 6MM	1	
7	311B0600	NUT 6MM	1	
8	42023-002	OUTLET -VENTILATOR	1	
9	42022-002	INNLET -VENTILATOR	1	
10	42024-001	SHUTTER AIR	1	
11	220E0406A	SCREW, 4X6	8	
12	92001-062	BOLT 3X10 WING	1	
13	42026-009	CAM SHAFT REAR BRAKE	1	
14	42019-007	SHOE,BRAKE	2	
15	42020-003	SPRING BRAKE SHOE	2	
16	42005-015-80	DRUM ASSY,RR BK,BUFF	1	INCLUDES REF. #S 17-20
17	601B6205Z	BEARING BALL #6205Z	1	
18	42010-014	SPACER RR HUB BEARING	1	
19	601B6303Z	BEARING BALL #6303Z	1	
20	42014-014	DAMPER REAR HUB SHOCK	1	
21	42008-005	COUPLING ASSY RR HUB	1	INCLUDES REF. #S 22-26
22	42036-011	SLEEVE RR HUB COUPLNG	1	
23	601B6305	BEARING BALL #6305	1	
24	92050-027	OIL SEAL	1	
25	42037-017	COLLAR SLEEVE	1	
26	42045-006	NUT SLEEVE	1	
27	42031-038	AXLE-REAR	1	H1/A/C
27	42031-038	AXLE-REAR	1	H1-B
28	42032-017	COLLAR REAR AXLE	1	
29	42046-010	WASHER L.H SLEEVE	1	
30	42045-014	NUT CASTLE 16M/M	1	
30	42045-014	NUT CASTLE 16M/M	AL	
31	550D4030	PIN COTTER 4.0X30	1	
32	92003-087	BOLT-REAR SPROCKET	6	
33	92088-007	WASHER LOCK	3	
34	42045-005	NUT 10MM	6	
35	42041-046	REAR SPROCKET 45T	1	STD
35	42041-047	RR SPROCKET 43T (OPT)	1	
35	42041-077	RR SPROCKET 47T (OPT)	1	
36	92057-010	DR CHAIN 530X102L	1	530 X 102L
37	92058-015	CHAIN JOINT 530	1	

FRONT



REAR HUB/BRAKE/CHAIN ('73-'75 D/E/F & '76 KH500-A8)

Ref #	Part #	Description	Qty	Spec Code
1	550D4035	PIN-COTTER, 4.0X35	1	
2	92015-055	NUT CASTLE, 16MM	1	
3	42041-046	REAR SPROCKET 45T	1	STD
3	42041-047	RR SPROCKET 43T (OPT)	1	
3	42041-077	RR SPROCKET 47T (OPT)	1	
4	42008-014	COUPLING ASSY, RR HUB	1	
5	42037-022	COLLAR, RR AXLE SLEEVE	1	
6	92050-027	OIL SEAL	1	
7	601B6305	BEARING BALL #6305	1	
8	42045-005	NUT 10MM	6	
9	92088-007	WASHER LOCK	3	
10	42036-014	SLEEVE,RR HUB COUPLNG	1	
11	92003-087	BOLT -REAR SPROCKET	6	
12	42005-015-80	DRUM ASSY, RR BK, BUFF	1	
13	42014-014	DAMPER REAR HUB SHOCK	6	
14	601B6303Z	BEARING BALL #6303Z	1	
15	42010-014	SPACER RR HUB BEARING	1	
16	601B6205Z	BEARING BALL #6205Z	1	
17	42006-031-80	PANEL-ASY, RR BRK, BUFF	1	H1-D
17	42006-061-80	PANEL-ASY, RR BRK, BUFF	1	H1-E/F, KH500-A8
18	550D3025	PIN COTTER 3.0X25	2	
19	41048-013	SHOE, BRAKE	2	
20	41049-012	SPRING, BRAKE SHOE	2	H1-D
20	41049-012	SPRING, BRAKE SHOE	2	H1-E/F, KH500-A8
21	41045-006	WASHER-BRAKE SHOE	1	
22	41050-011	CAM SHAFT -BRAKE	1	H1-D
22	41050-017	CAM SHAFT, BRAKE	1	H1-E/F, KH500-A8
23	41051-003	DUST SHIELD-BRAKE CAM	1	
24	41085-004	INDICATOR, BRAKE SHOE	1	
25	42029-024	LEVER, REAR BRAKE CAM	1	
26	115G0825	BOLT -SMALL-UPSET 8X25	1	
27	550D2525	PIN COTTER 2.5X25	1	
28	92043-093	PIN	1	
29	42032-017	COLLAR REAR AXLE	1	
30	42031-042	AXLE, REAR	1	H1-D/E/F
30	42031-053	AXLE, REAR	1	KH500-A8
31	92057-038	DR CHAIN 530X106 H1D	1	H1-D/E/F
31	92057-1044	CHAIN, 530X106 SH-D	1	KH500-A8
31	92057-1044	CHAIN, 530X106 SH-D	1	EK530SH-O

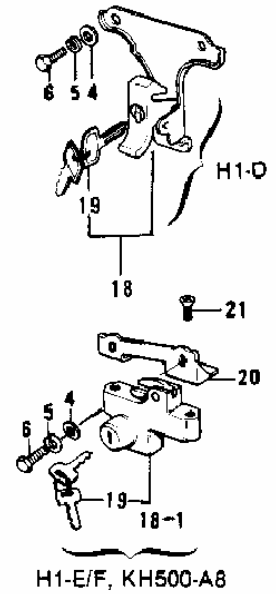
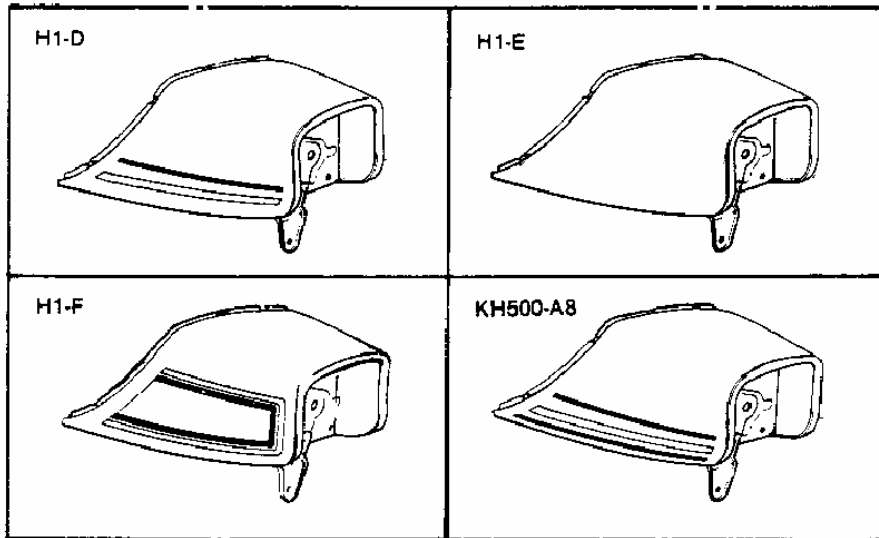
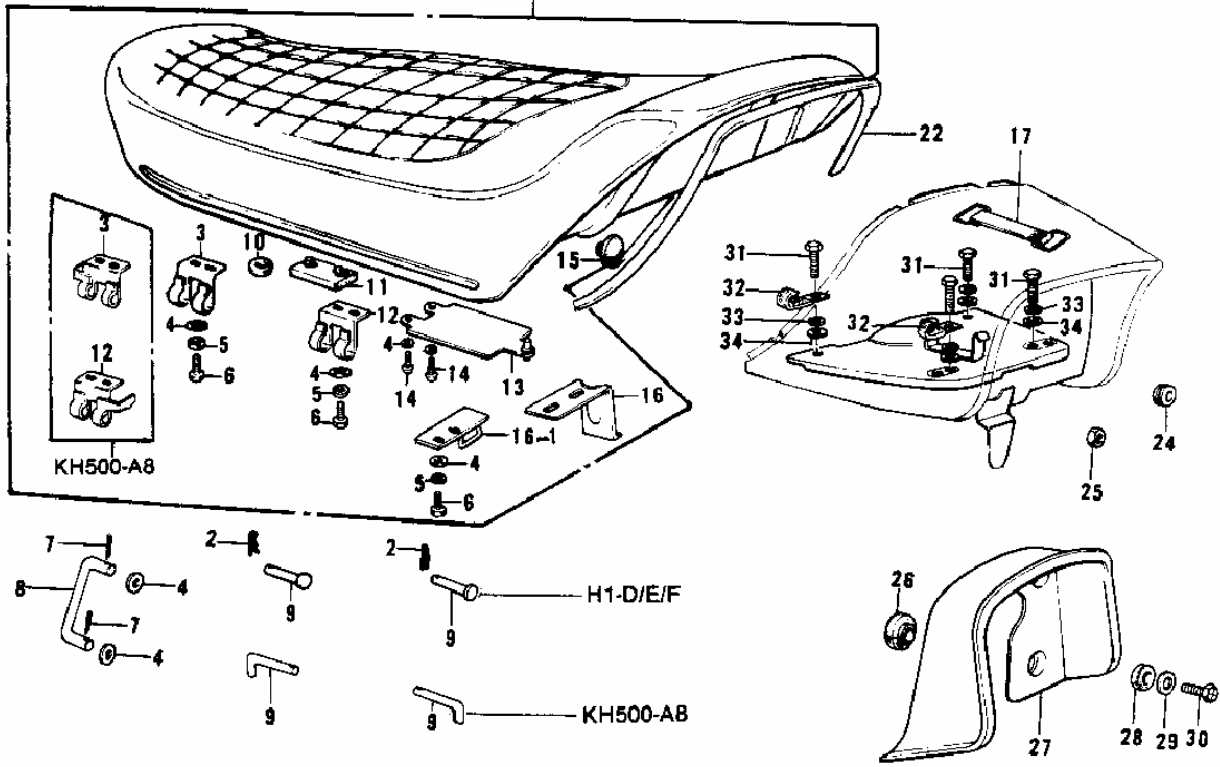


SEAT ('69-'72 H1/A/B/C)

Ref #	Part #	Description	Qty	Spec Code
1	53001-060	SEAT-DUAL	1	H1
1	53001-066	SEAT ASSY-DUAL	1	H1-A
1	53001-072	SEAT ASSY-DUAL	1	H1-B/C
2	53009-012-10	HINGE-FRONT, BLACK	1	
3	53009-013-10	HINGE-REAR, BLACK	1	
4	53008-006	HOOK	1	
5	53012-002	SPRING	1	

6	92075-023	DAMPER RUBB DUAL SEAT	6	
7	53011-001	PIN DUAL SEAT PIVOT	3	
8	550D2015	PIN COTTER 2.0X15	3	
8	554A0800	PIN, SNAP	3	
9	112B0614	BOLT-UPSET 6X14	4	
10	461F0600	WASHER SPRING 6MM	4	
11	411B0600	WASHER PLAIN 6MM	4	
12	53003-002	COVER-DUAL SEAT	1	HI-A

FRONT

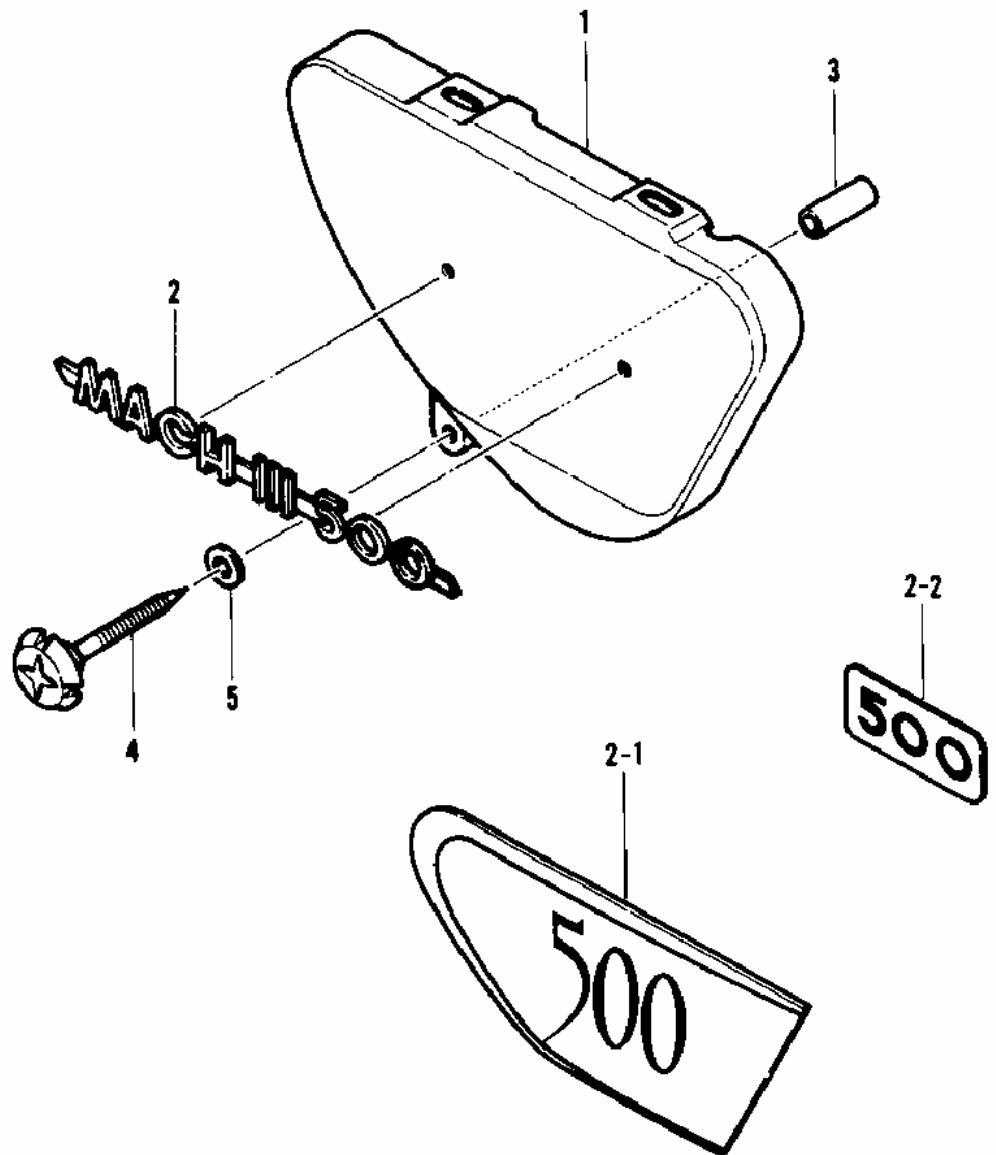
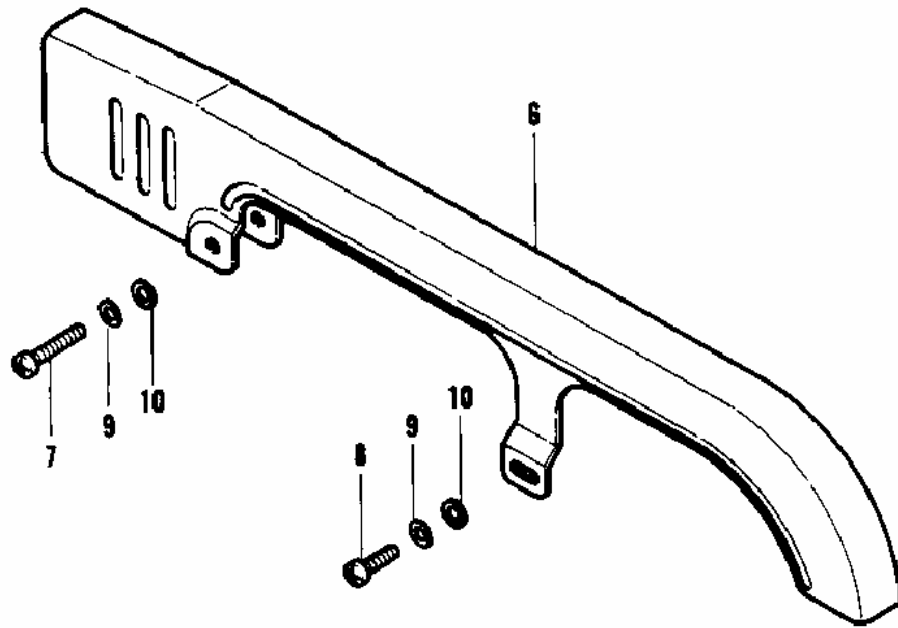


SEAT/SEAT COVER ('73-'75 D/E/F & '76 A8)

Ref #	Part #	Description	Qty	Spec Code
1	53001-079	SEAT-ASSY, DUAL	1	H1-D
1	53001-097	SEAT-ASSY, DUAL	1	H1-E/F
1	53001-115	SEAT-ASSY, DUAL	1	KH500- A8
2	92041-003	COTTER PIN	2	
3	53009-021	HINGE-SEAT	1	H1-D/E/F
3	53009-033	HINGE, FRONT	1	KH500- A8
4	410B0600	WASHER PLAIN 6MM	12	
5	461F0600	WASHER SPRING 6MM	6	
6	112B0614	BOLT-UPSET 6X14	6	
7	550D1615	PIN COTTER 1.6X15	2	H1-D
7	92041-003	COTTER PIN	2	H1-E/F
7	92041-006	PIN, COTER	2	KH500- A8
8	53054-002	STAND, SEAT	1	
9	53011-002	PIN	2	H1-D/E/F
9	92043-1064	PIN, SEAT PIVOT	2	KH500- A8
9	92043-1064	PIN, SEAT PIVOT	2	
10	92071-056	GROMMET	1	
11	92075-139	DAMPER RUBBER, SEAT	3	
12	53009-022	HINGE	1	H1-D/E/F
12	53009-034	HINGE, REAR	1	KH500- A8
13	32099-011	CASE	1	
14	220B0614	SCREW PAN HEAD 6X14	2	
15	92075-099	DAMPER RUBBER	1	
16	53008-018	HOOK	1	H1-D
16-1	53008-025	HOOK, SEAT	1	H1-E/F, KH500-A8
17	92072-012	BAND TOOL	1	
18	53045-004	HOOK ASSY	1	H1-D
18-1	53045-013	LOCK ASSY, SEAT	1	H1-E/F, KH500-A8
19	27018-016-65	KEY SET, #265	AR	H1-D
19	27018-016-79	KEY SET, #279	AR	
19	27008-055-11	KEY SET, #911	AR	
19	27008-055-25	KEY SET, #925	AR	H1-E/F, KH500-A8
20	53010-005	BRACKET, HOOK	1	H1-E/F, KH500-A8
21	221B0612	SCREW CNTSNK HD 6X12	2	H1-E/F, KH500-A8
22	53044-004	MOLE	1	

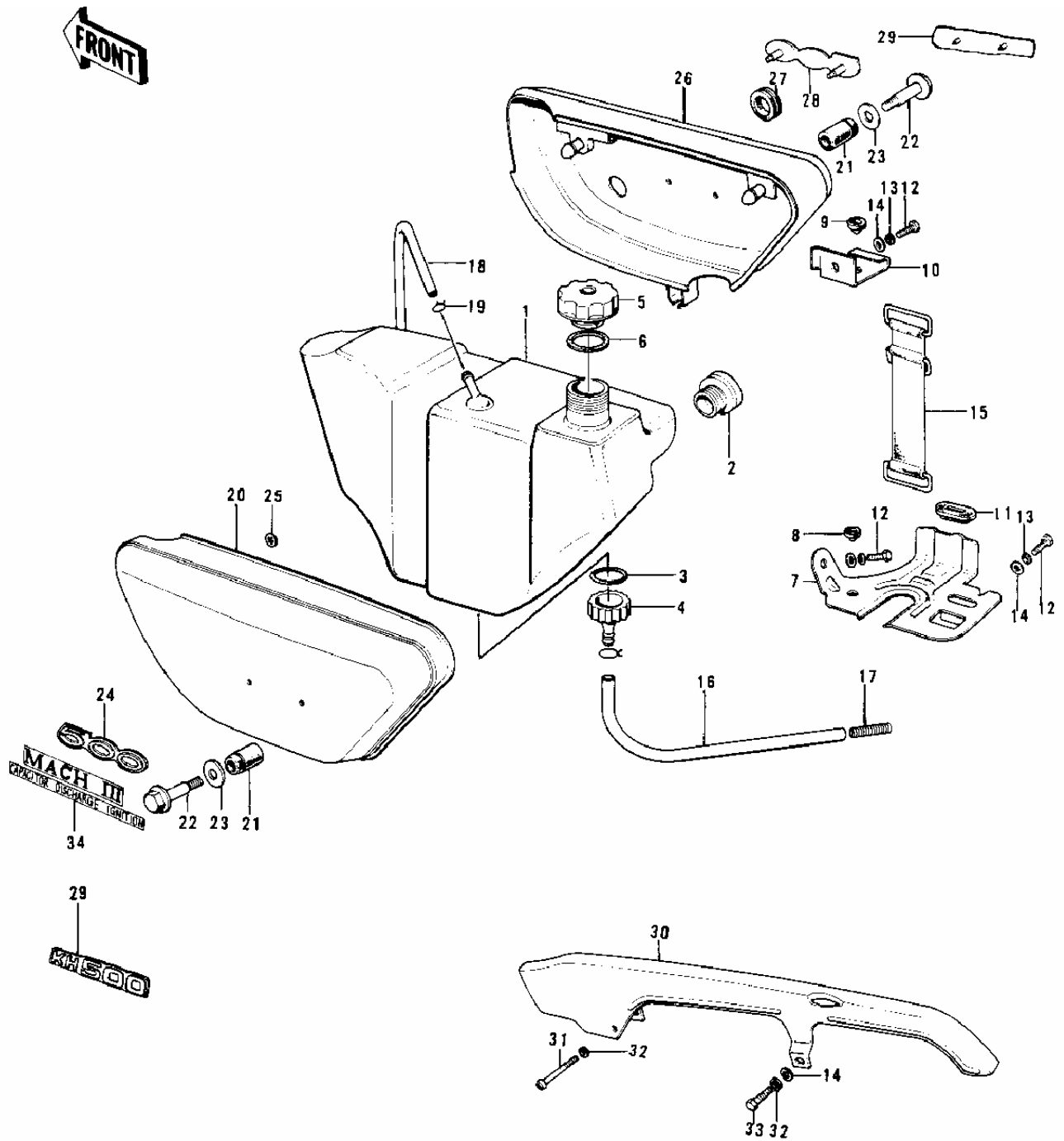
23	53043-006-77	BACK REST, C.LIME	1	HI-D
23	53043-006-1X	BACK REST, C.RED	1	HI-E
23	53043-006-1Y	BACK REST, C.LIME	1	HI-E
23	53043-006-2W	BACK REST, C.BLUE	1	HI-F
23	53043-006-2X	BACK REST, C.GOLD	1	HI-F
23	53043-006-3T	BACKREST, DEEP.BURGUN	1	KH500- A8
23	53043-006-3U	BACK REST, COPPER	1	KH500- A8
24	92071-070	GROMMET, WIRING HARNES	1	
25	311B0600	NUT 6MM	4	
26	92075-169	DAMPER RUBBER	4	
27	53057-002	COVER, BACK REST	1	
28	92075-168	DAMPER RUBBER	4	
29	92022-240	WASHER-PLAIN, 7MM	4	
30	92011-030	SCREW-PAN HEAD, 6X30	4	
31	115G0818	BOLT-SMALL-UPSET, 8X18	4	
32	92037-113	CLAMP,HARNESS	2	HI-E/F, KH500-A8
33	461F0800	WASHER SPRING 8MM	4	
34	411B0800	WASHER PLAIN 8MM	4	

FRONT



SIDE COVER/CHAIN COVER ('69-'72 H1/A/B/C

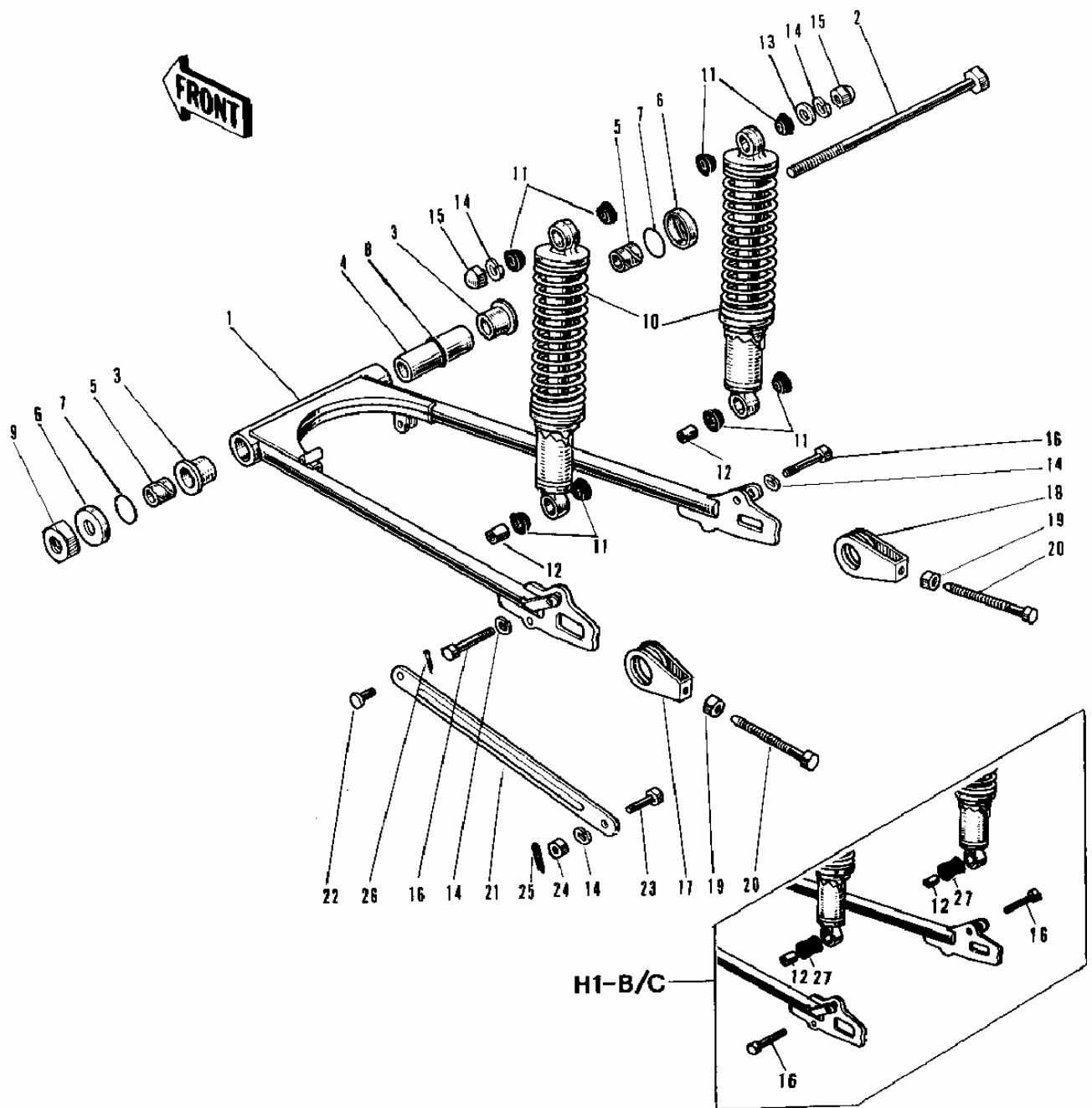
Ref #	Part #	Description	Qty	Spec Code
1	36001-025-19	COVER L.H SIDE WHITE	1	1969 H1
1	36001-025-47	COVER L.H SIDE P.GRAY	1	1970 H1
1	36001-034-58	COVER-LH SIDE,C.BLUE	1	H1-A
1	36001-034-67	COVER-L.H SIDE, P.C.O.	1	H1-B/C
2	56018-021	EMBLEM SIDE COVER WHITE	1	H1
2	56018-025	EMBLEM SIDE COVER BLACK	1	H1
2-1	56018-038	EMBLEM-SIDE COVER BLUE	1	H1-A
2-2	56018-099	EMBLEM-OIL TANK	1	H1-B/C
3	92094-001	RUBBER SIDE COV KNOB	1	
4	92077-016	KNOB L.H SIDE COVER	1	
5	410B0600	WASHER PLAIN 6MM	1	
6	36014-042	CASE-CHAIN	1	H1/A
6	36014-042	CASE-CHAIN	1	H1-B/C
7	220E0655	SCREW PAN HEAD 6X55	1	H1/A
7	220E0650	SCREW PAN HEAD 6X50	1	H1-B/C
8	220E0612	SCREW PAN HEAD 6X12	1	
9	461F0600	WASHER SPRING 6MM	2	
10	411B0600	WASHER PLAIN 6MM	2	



SIDE COVERS/OIL TANK/CHAIN COVER ('73-'76)

Ref #	Part #	Description	Qty	Spec Code
1	52001-034	TANK, OIL	1	
2	52015-005	GAUGE-OIL LEVEL	1	
3	670B2015	"O" RING, 15MM	1	
4	52020-001	FILTER-OIL	1	
5	52003-019	CAP-OIL TANK	1	
6	92065-085	GASKET-OIL TANK CAP	1	
7	31101-002	PLATE, 1.0T	1	
8	92075-183	DAMPER RUBBER, PLATE	1	
9	92075-078	DAMPER RUBBER	1	
10	32101-008	PLATE, 1.6T	1	
11	92075-166	DAMPER RUBBER	1	
12	112B0614	BOLT-UPSET 6X14	3	
13	461F0600	WASHER SPRING 6MM	3	
14	411B0600	WASHER PLAIN 6MM	4	
15	32100-017	BAND, OIL TANK	1	
16	92059-082	PIPE, OIL	1	
17	92081-027	SPRING PIPE CLAMP B	1	
18	700Q05600	TUBE-VINYL, 5X600	1	
19	92037-072	CLAMP-PIPE	2	
20	36001-037-77	COVER, L.H SIDE, C.LIME	1	H1-D
20	36001-037-1X	COVER, L.H SIDE, C.RED	1	H1-E
20	36001-037-1Y	COVER, L.H SIDE, LIME	1	H1-E
20	36001-037-2W	COVER, L.H SIDE, BLUE	1	H1-F
20	36001-037-2X	COVER, L.H SIDE, GOLD	1	H1-F
20	36001-037-3T	COVER, L.H SIDE D.BURG	1	KH500- A8
20	36001-037-3U	COVER, L.H SIDE, COPPER	1	KH500- A8
21	92075-184	DAMPER RUBBER, SID COV	2	
22	92007-034	BOLT, SIDE COVER FITT	2	
23	411B0800	WASHER PLAIN 8MM	2	
24	56018-146	EMBLEM, L.H SIDE COVER	1	H1-D/E
24	56018-195	EMBLEM, L.H SIDE COVER	1	H1-F
25	92018-004	NUT, LOCK, 5MM	4	
26	36007-032-77	COVER, RH SIDE, C.LIME	1	H1-D
26	36007-032-1X	COVER, RH SIDE, C.RED	1	H1-E
26	36007-032-1Y	COVER, RH SIDE, LIME	1	H1-E

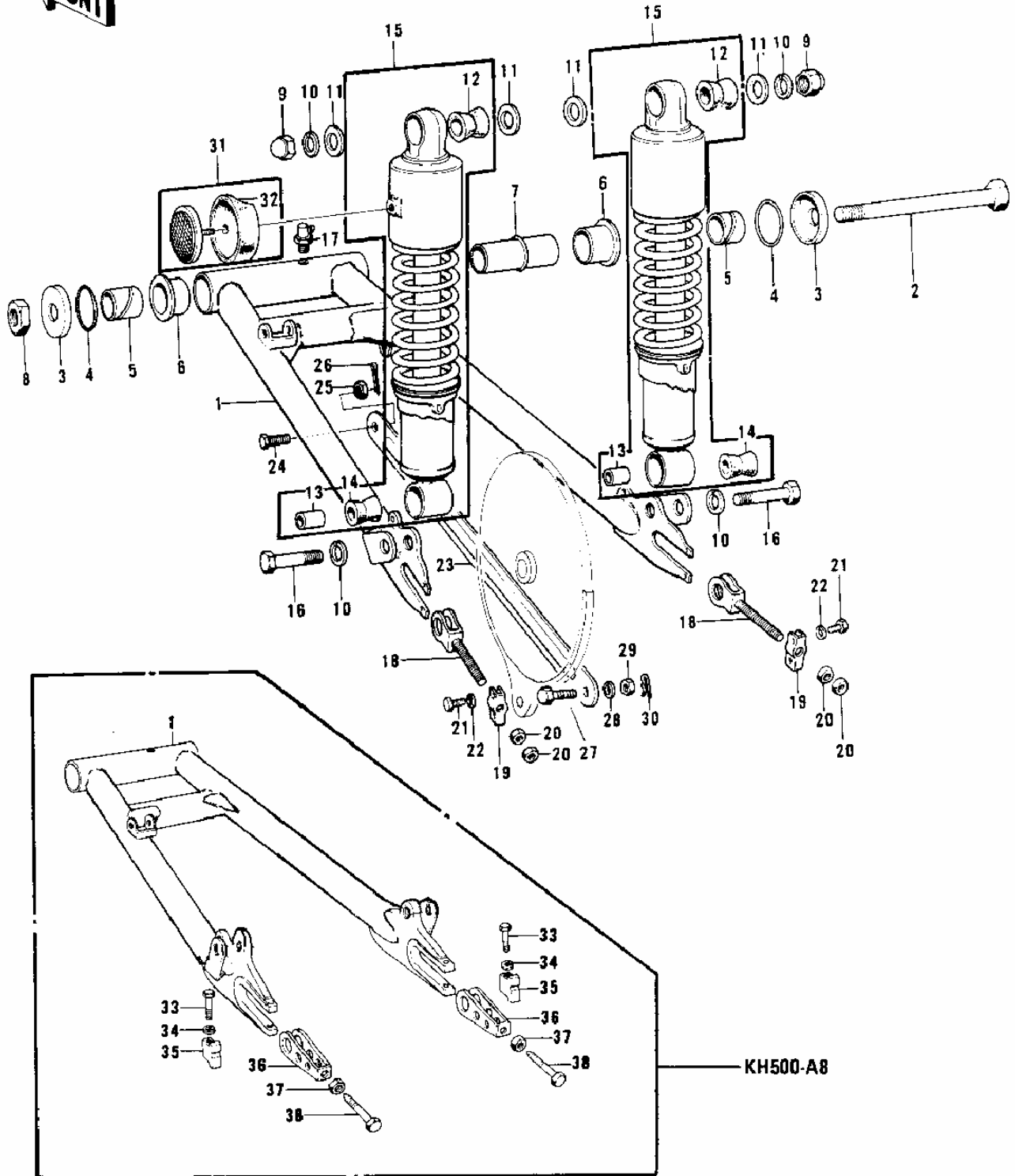
26	36007-032-2W COVER, RH SIDE, BLUE	1	H1-F
26	36007-032-2X COVER, RH SIDE, GOLD	1	H1-F
26	36007-032-3T COVER, RH SIDE, D.BURG	1	KH500- A8
26	36007-032-3U COVER, RH SIDE, COPPER	1	KH500- A8
27	92071-065 GROMMET -R.H SIDE COV	1	
28	56018-147 EMBLEM, R.H SIDE COVER	1	H1-D/E
28	56018-196 EMBLEM, R.H SIDE COVER	1	H1-F
29	56018-213 EMBLEM, SIDE COVER	2	KH500- A8
30	36014-046-21 CASE-CHAIN, FR BLACK	1	H1-D
30	36014-053 CASE-CHAIN	1	H1-E/F, KH500
31	220E0650 SCREW PAN HEAD 6X50	1	
32	461F0600 WASHER SPRING 6MM	2	
33	92001-121 BOLT, HEX HEAD, 6X14	1	
34	56027-145-SP DECAL, SIDE COVER	2	H1-D
34	56027-197-SP DECAL, SIDE COVER	2	H1-E
34	56027-198-SP DECAL, SIDE COVER	2	H1-E



SWING ARM/SHOCK ABSORBERS ('69-'72 H1/A/B/C)

Ref #	Part #	Description	Qty	Spec Code
1	33001-016	ARM SWING	1	H1/A
1	33001-040	ARM-SWINGING	1	H1-B/C
2	33032-020	SHAFT SWING ARM PIVOT 1		H1/A
2	33032-038	SHAFT-SWING ARM PIVOT 1		H1-B/C
2	33032-038	SHAFT-SWING ARM PIVOT 1		
3	33033-009	BUSHING-SWING ARM	2	
4	33034-008	SLEEVE SWING ARM LONG 1		
5	33034-009	SLEEVE SWING ARM	2	
6	33035-007	CAP, SWING ARM	2	
7	671B2530	"0" RING, 30MM	2	
8	670B2021	"0" RING, 21MM	1	USED ON EARLY 69 MODEL
9	92019-012	NUT-SELF LOCKING	1	H1/A
9	92019-012	NUT-SELF LOCKING	1	H1-B/C
10	45014-056	SHOCK ABSBR RR	2	
11	45017-001	BUSH SHCK ABS RUBBER 8		H1/A
11	45017-001	BUSH SHCK ABS RUBBER 4		H1-B/C
12	45016-003	BUSH SHCK ABS PVT SFT 2		H1/A
12	45016-005	BUSH-SHCK.ABS.PVT.SFT 2		H1-B/C
13	92022-044	WASHER -PL-10.5X26X2.3	1	
14	461F1000	WASHER SPRING 10MM	5	H1/A
14	461F1000	WASHER SPRING 10MM	3	H1-B/C
15	92020-003	NUT SHOCK ABSORBER	2	
16	113N1035	BOLT HEX HEAD 10X35	2	H1/A
16	92003-083	BOLT-HEX HEAD, 10X35	2	H1-B/C
17	33040-028	ADJUSTER CHAIN L.H	1	
18	33040-029	ADJUSTER CHAIN R.H	1	
19	312B0800	NUT 8MM	2	
20	92001-1399	BOLT, 8X50	2	
21	43007-016	TORQUE LINK REAR BRK	1	
22	43009-001	PIN REAR TORQUE LINK	1	
23	92003-034	BOLT HEX HEAD 10MM	1	
24	321B1000	NUT CASTLE 10MM	1	
25	550D2015	PIN COTTER 2.0X15	1	H1/A
25	554A0800	PIN, SNAP	1	H1-B/C
26	550D2520	PIN COTTER 2.5X20	1	
27	45017-018	BUSHING, SHCK ABS RUB 2		H1-B/C

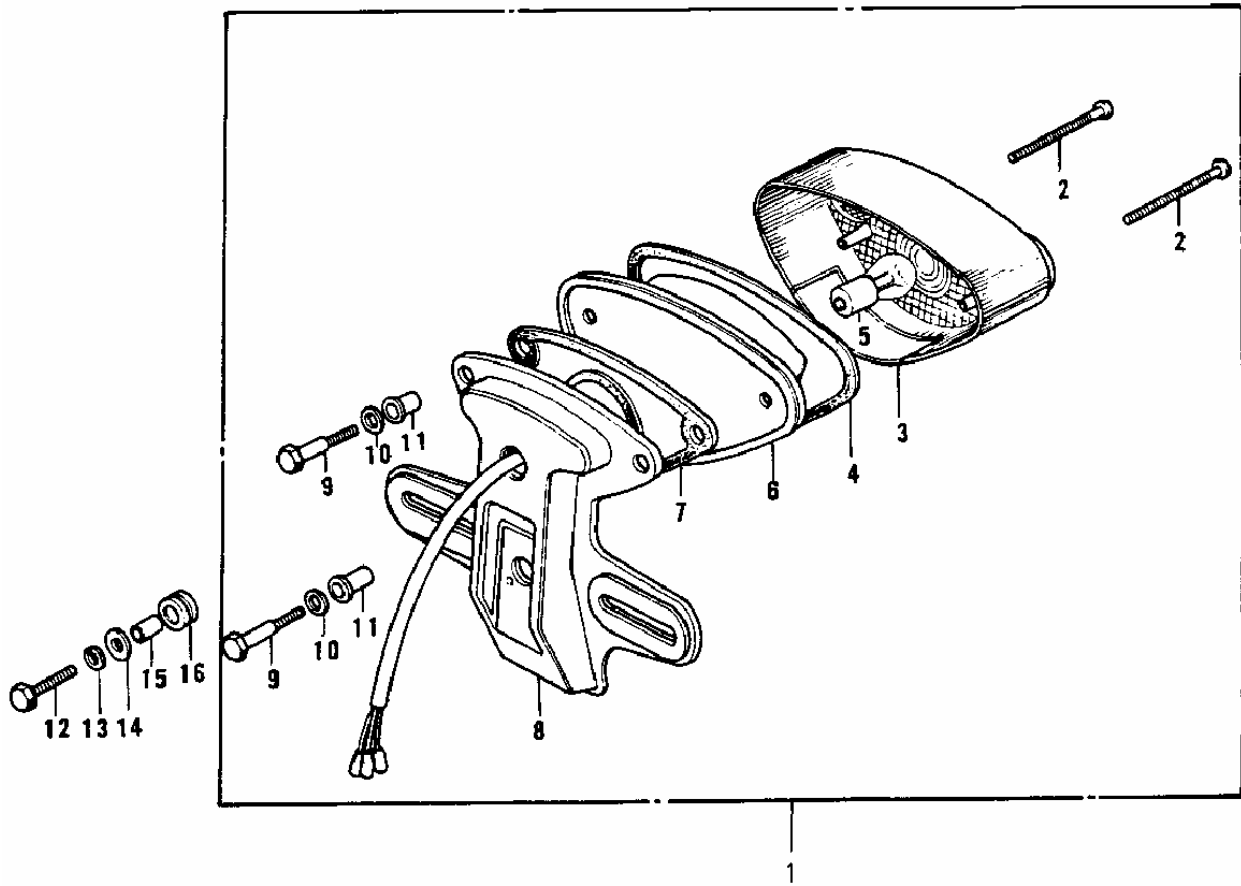
FRONT



SWING ARM/SHOCK ABSORBERS ('73-'75 D/E/F '76 KH500-A8)

Ref #	Part #	Description	Qty	Spec Code
1	33001-050	ARM, SWING	1	H1-D
1	33001-065	SWINGING ARM	1	H1-E/F
1	33001-084	1ARM, SWING	1	KH500- A8
2	33032-038	SHAFT -SWING ARM PIVOT	1	
3	33035-007	CAP, SWING ARM	2	
4	671B2530	"0" RING, 30MM	2	
5	33034-009	SLEEVE SWING ARM	2	
6	33033-009	BUSHING-SWING ARM	2	
7	33034-008	SLEEVE SWING ARM LONG	1	
8	92019-012	NUT -SELF LOCKING	1	
9	92020-003	NUT SHOCK ABSORBER	2	
10	461F1000	WASHER SPRING 10MM	4	
11	92022-246	WASHER, PLAIN, 10MM	4	
12	45017-001	BUSH SHCK ABS RUBBER	4	H1-D
12	45017-015	BUSHING, SHCK ABS RUB	2	H1-E/F, KH500-A8
13	45016-003	BUSH SHCK ABS PVT SFT	2	H1-D
13	45016-008	BUSHING, SHOCK ABSORB	2	H1-E/F, KH500-A8
14	45017-018	BUSHING, SHCK ABS RUB	2	H1-D
14	45017-012	BUSHING, SHCK ABS RUB	2	H1-E/F, KH500-A8
15	45014-077	SHOCK ABSBR RR	2	H1-D
15	45014-095	SHOCK ABSBR RR	2	H1-E/F, KH500-A8
16	113N1035	BOLT HEX HEAD 10X35	2	
17	92005-002	GREASE NIPPLE	1	
18	33040-050	ADJUSTER -CHAIN	2	H1-D
18	33040-059	ADJUSTER, CHAIN	2	H1-E/F
19	33041-002	PLATE-CHAIN ADJUSTER	2	H1-D
19	33041-004	PLATE, CHAIN ADJUSTER	2	H1-E/F
20	312B0800	NUT 8MM	4	
21	112G0616	BOLT-UPSET, 6X16	4	
22	461F0600	WASHER SPRING 6MM	4	
23	43007-027	TORQUE LINK-REAR BRK	1	
24	92003-096	BOLT	1	
25	314B1000	NUT, 10MM	1	
26	550D2025	PIN COTTER 2.0X25	1	
27	92003-097	BOLT-HEX HEAD, 10X40	1	

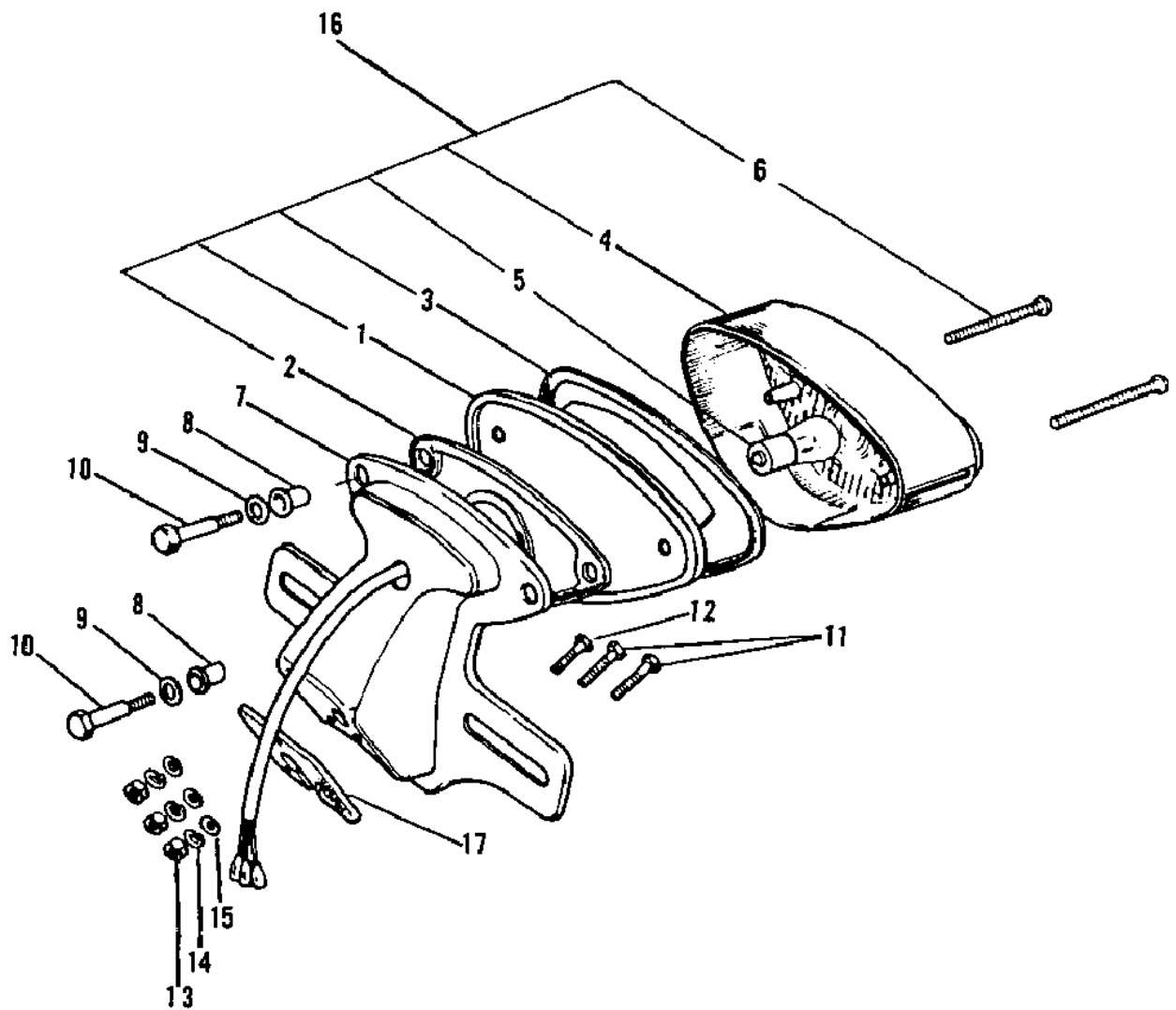
28	461F1000	WASHER SPRING 10MM	1	
29	315B1000	NUT 10MM	1	
30	554A0800	PIN, SNAP	1	
31	28001-030	REFLECTOR, REFLEX, REAR	2	
32	28016-003	DAMPER RUBBER, REFLEX	2	
33	92001-1577	BOLT, FLANGED, 8X35	2	KH500- A8
34	461F0800	WASHER SPRING 8MM	2	KH500- A8
35	33044-002	STOPPER, CHAIN ADJUST	2	KH500- A8
36	33040-056	ADJUSTER, CHAIN	2	KH500- A8
37	314B0800	NUT 8MM	2	KH500- A8
38	92001-1399	BOLT, 8X50	2	KH500- A8



TAILLIGHT ('73-'75 D/E/F & '76 A8)

Ref #	Part #	Description	Qty	Spec Code
1	23024-027-21	LAMP ASY, TAIL, BLACK	1	
2	220R0455	SCREW	4	
3	23026-022	LENS-TAIL LAMP	1	
4	23028-016	GASKET-TAIL LAMP LENS	1	
5	92069-059	BULB, 12V 32/3CP	1	
6	23027-029	CASE-TAIL LAMP	1	
7	23028-015	GASKET-TAIL LAMP CASE	1	
8	23036-020-21	BKT, LICENSE PLT, BLACK	1	

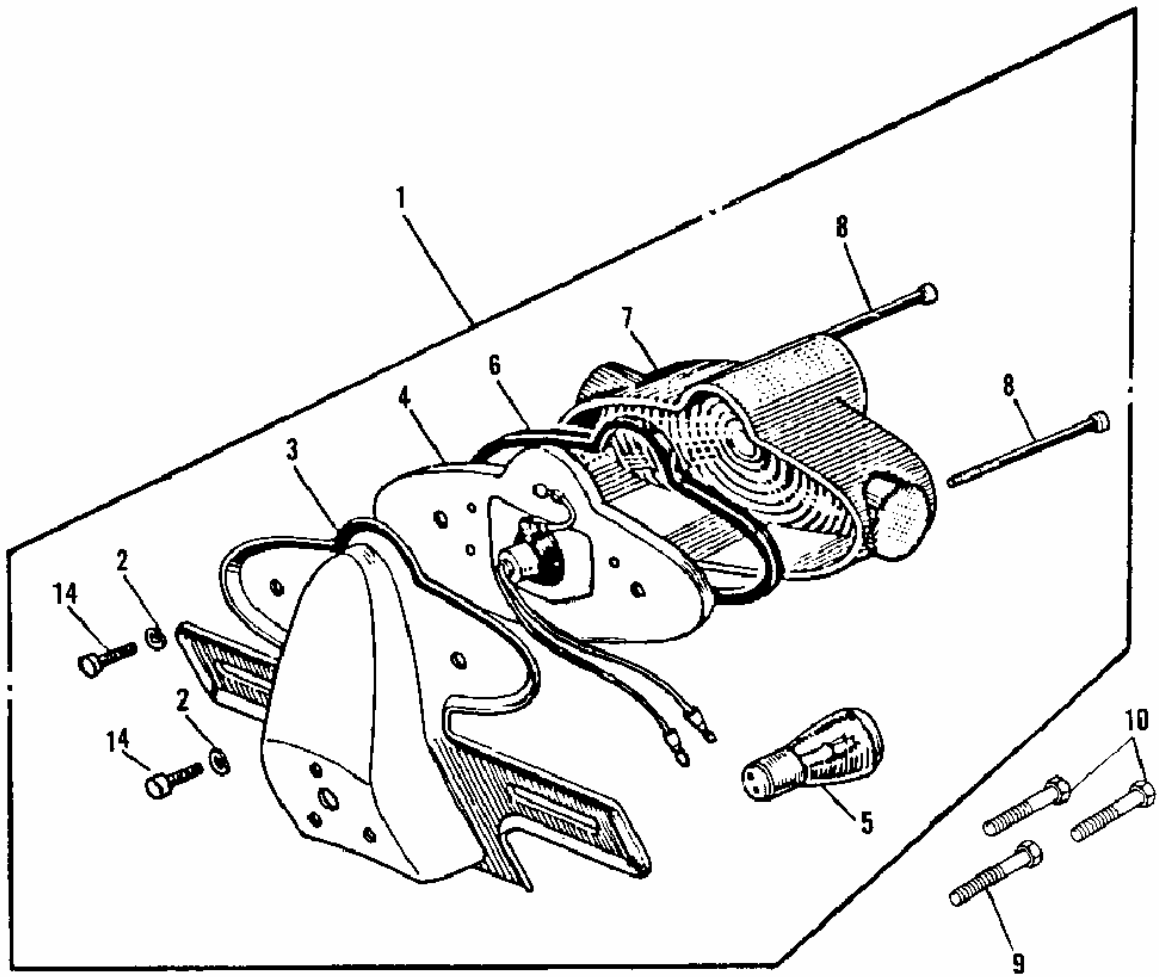
9	92001-105	BOLT	2
10	92022-1561	WASHER, 8.5X20X1.6	2
11	92075-091	DAMPER RUBBER	2
12	112B0622	BOLT 6X22	3
13	461F0600	WASHER SPRING 6MM	3
14	92022-125	WASHER 6.5X20X1.6T	3
15	92027-120	COLLAR 6.8X10X10.5	3
16	92075-112	DAMPER RUBBER	3



TAILLIGHT (H1-B/C)

Ref #	Part #	Description	Qty	Spec Code
1	23027-029	CASE-TAIL LAMP	1	
2	23028-015	GASKET-TAIL LAMP CASE	1	
3	23028-016	GASKET-TAIL LAMP LENS	1	
4	23026-022	LENS-TAIL LAMP	1	
5	92069-059	BULB, 12V 32/3CP	1	
6	220R0455	SCREW	4	
7	23036-014-21	BKT -LICENSE PLT, BLACK	1	

8	92075-091	DAMPER RUBBER	2	
9	92022-1561	WASHER, 8.5X20X1.6	2	
10	92001-105	BOLT	2	
11	112G0640	BOLT-UPSET, 6X40	2	
12	110G0650	BOLT, HEX HEAD, 6X50	1	
13	312B0600	NUT 6MM	3	
14	461F0600	WASHER SPRING 6MM	3	
15	411B0600	WASHER PLAIN 6MM	3	
16	23025-044	LAMP ASSY-TAIL	1	INCLUDES REF. #S 1-6

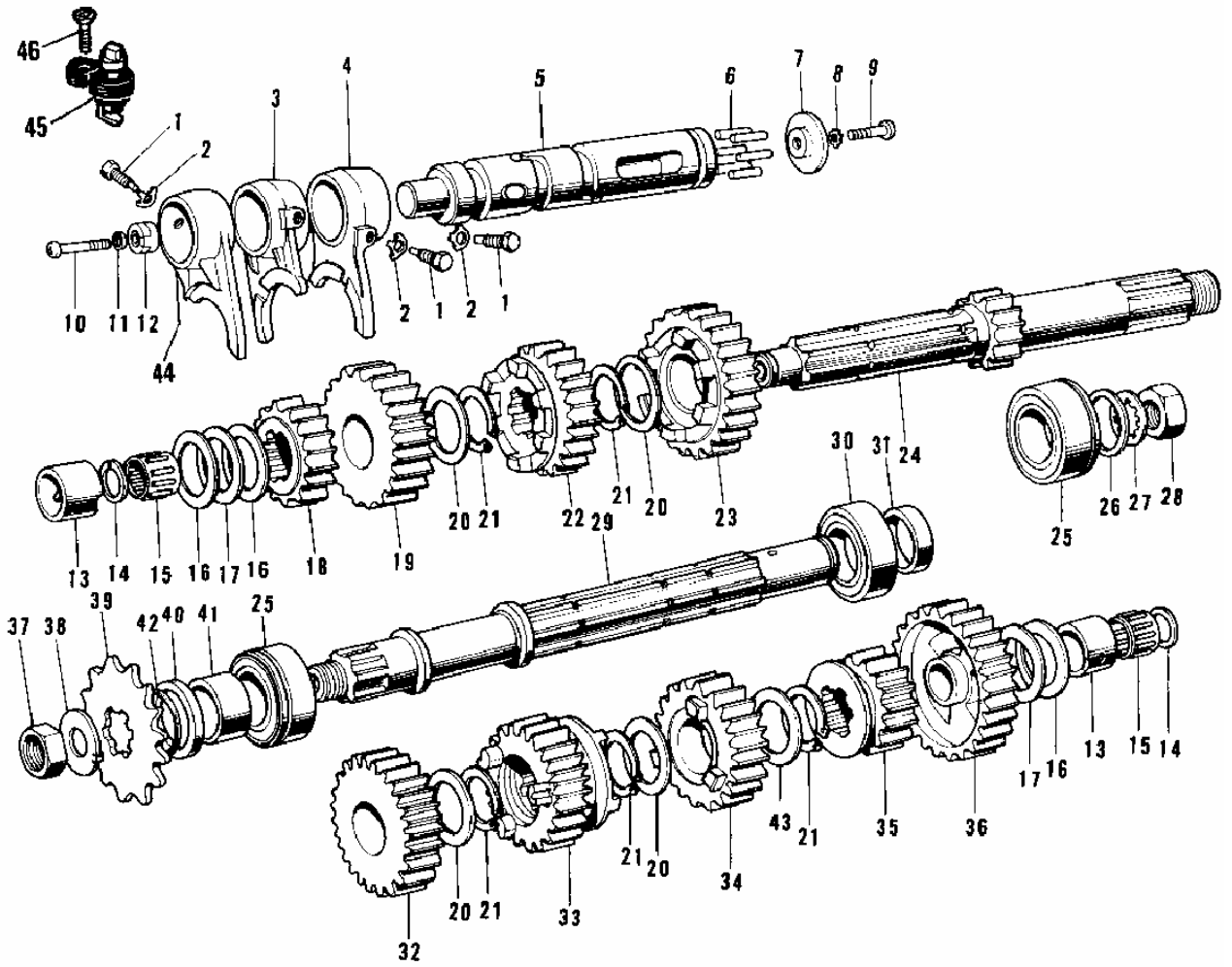


← FRONT

TAILLIGHT (H1/A)

Ref #	Part #	Description	Qty	Spec Code
1	23025-029-10	LAMP ASSY TAIL BLACK	1	
1	23024-020-21	LAMP ASSY-TAIL, BLACK	1	
2	461F0500	WASHER SPRING 5MM	2	
3	23036-002	BKT LICENSE PLT	1	H1
3	23036-007-10	BKT LICENSE PLT BLACK	1	H1-A
4	23027-009	SOCKET TAIL LAMP	1	
5	92069-059	BULB, 12V 32/3CP	1	
6	23028-008	GASKET TAIL LAMP	1	
7	23026-010	LENS TAIL LAMP	1	
8	220R0455	SCREW	4	
9	112G0640	BOLT-UPSET, 6X40	1	
10	112G0630	BOLT-UPSET	2	
11	461F0600	WASHER SPRING 6MM	3	
12	411B0600	WASHER PLAIN 6MM	3	
13	311B0600	NUT 6MM	3	
14	110N0512A	BOLT HEX HEAD	2	

FRONT

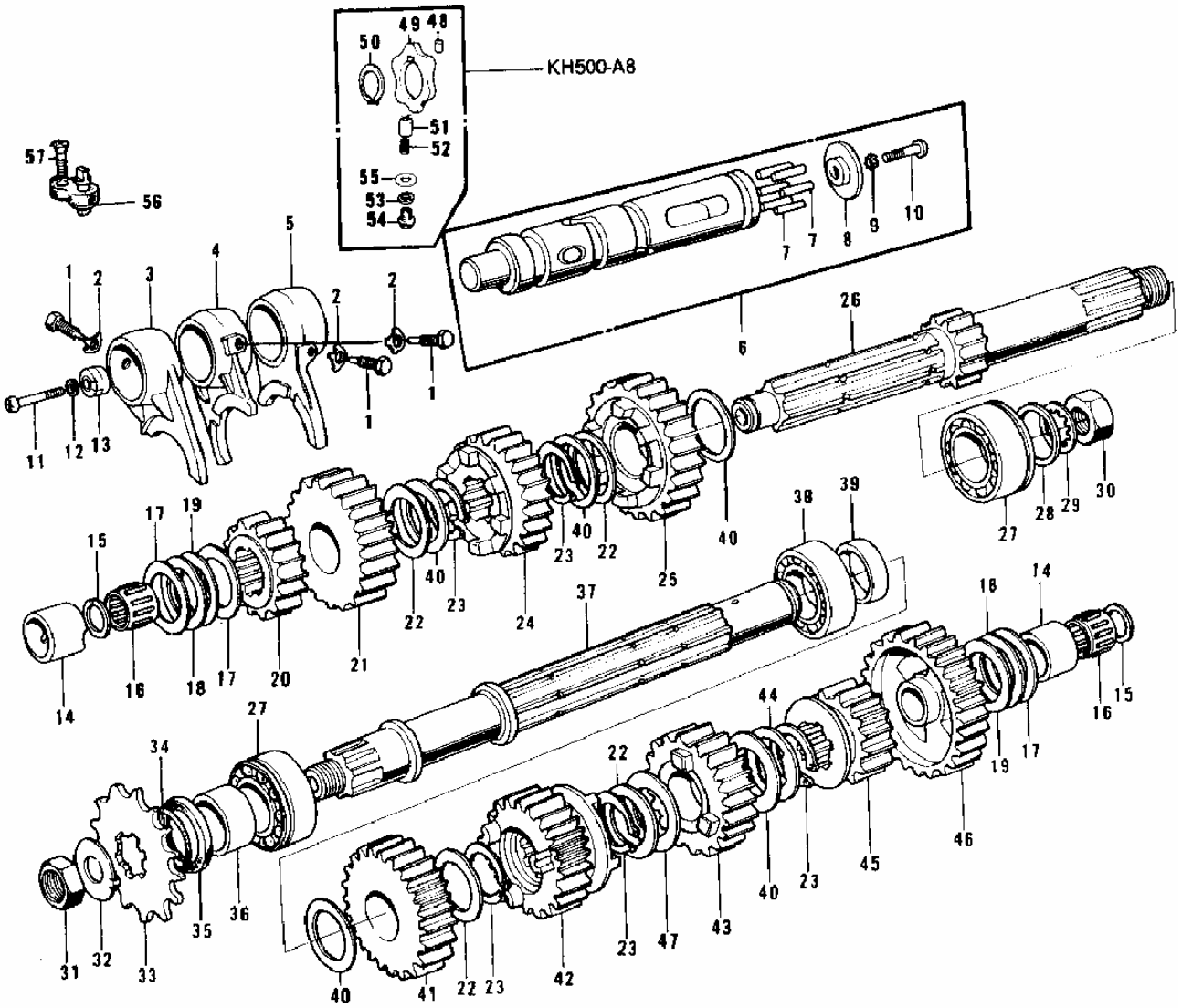


TRANSMISSION/CHANGE DRUM ('69-'72 H1/A/B/C)

Ref #	Part #	Description	Qty	Spec Code
1	92043-016	PIN SELECT FORK GUIDE	3	
2	92031-001	WASHER LOCK 10MM	3	
3	13140-013	FORK SELECTOR TOP	1	
4	13140-014	FORK-SELECTOR, LOW	1	
5	13239-007	DRUM ASSY-GEAR CHANGE	1	
6	92042-014	PIN GEAR CHANGE DRUM	6	
7	13142-004	PLATE CHANGE DRUM PIN	1	
8	464H0600	WASHER LOCK 6MM	1	
9	220B0612	SCREW PAN HEAD 6X12	1	
10	220B0625	SCREW PAN HEAD 6X25	1	
11	461F0600	WASHER SPRING 6MM	1	
12	13147-001	ROTOR NEUTRAL SWITCH	1	
13	92028-073	BUSH	2	
14	92033-015	CIRCLIP	2	
15	92046-010	BEARING NEEDLE	2	KT202513
16	92022-112	WASHER THRUST	3	STEEL
17	92022-113	WASHER THRUST	2	BRONZE
18	13130-017	2ND GEAR DRIVE SHAFT	1	
19	13134-003	4TH GEAR DRIVE SHAFT	1	
20	92022-076	WASHER 25MM	4	
21	92033-026	CIRCLIP	5	
22	13132-014	3RD GEAR DRIVE SHAFT	1	
23	13136-041	TOP GEAR-DRIVE SHAFT	1	
24	13127-019	SHAFT DRIVE	1	
25	92045-010	BEARING BALL 6205NX3	1	
26	92022-114	WASHER THRUST	1	
27	463G2000	WASHER LOCK 20MM	1	
28	92016-043	NUT, 20MM	1	
29	13128-020	SHAFT OUTPUT	1	
30	601B6005	BEARING BALL #6005	1	
31	92027-052	COLLAR	1	
32	13131-011	2ND GEAR OUTPUT SHAFT	1	
33	13135-007	4TH GEAR OUTPUT SHAFT	1	
34	13133-015	3RD GEAR OUTPUT SHAFT	1	
35	13137-010	TOP GEAR OUTPUT SHAFT	1	

36	13129-024	LOW GEAR OUTPUT SHAFT	1	
37	92015-019	NUT 18MM	1	
38	92024-067	WASHER, LOCK, 18MM	1	
39	13144-030	ENGINE SPROCKET 15T	1	STD
39	13144-036	ENG SPROCKET 16T (OPT	1	
39	13144-035	ENGINE SPROCKET 14T	1	
40	92050-024	OIL SEAL SC325210	1	SC 325210
41	92026-1024	SPACER-ENG SPROCKET	1	
42	92055-035	"O" RING	1	
43	92022-076	WASHER 25MM	1	H1/A/C
43	92024-033	WASHER-LOCK	1	H1-B
44	13140-064	FORK, SELECTOR, 2ND&3RD	1	
45	13151-012	SWITCH NEUTRAL	1	
46	221B0616	SCREW CNTSNK HD 6X16	1	

FRONT



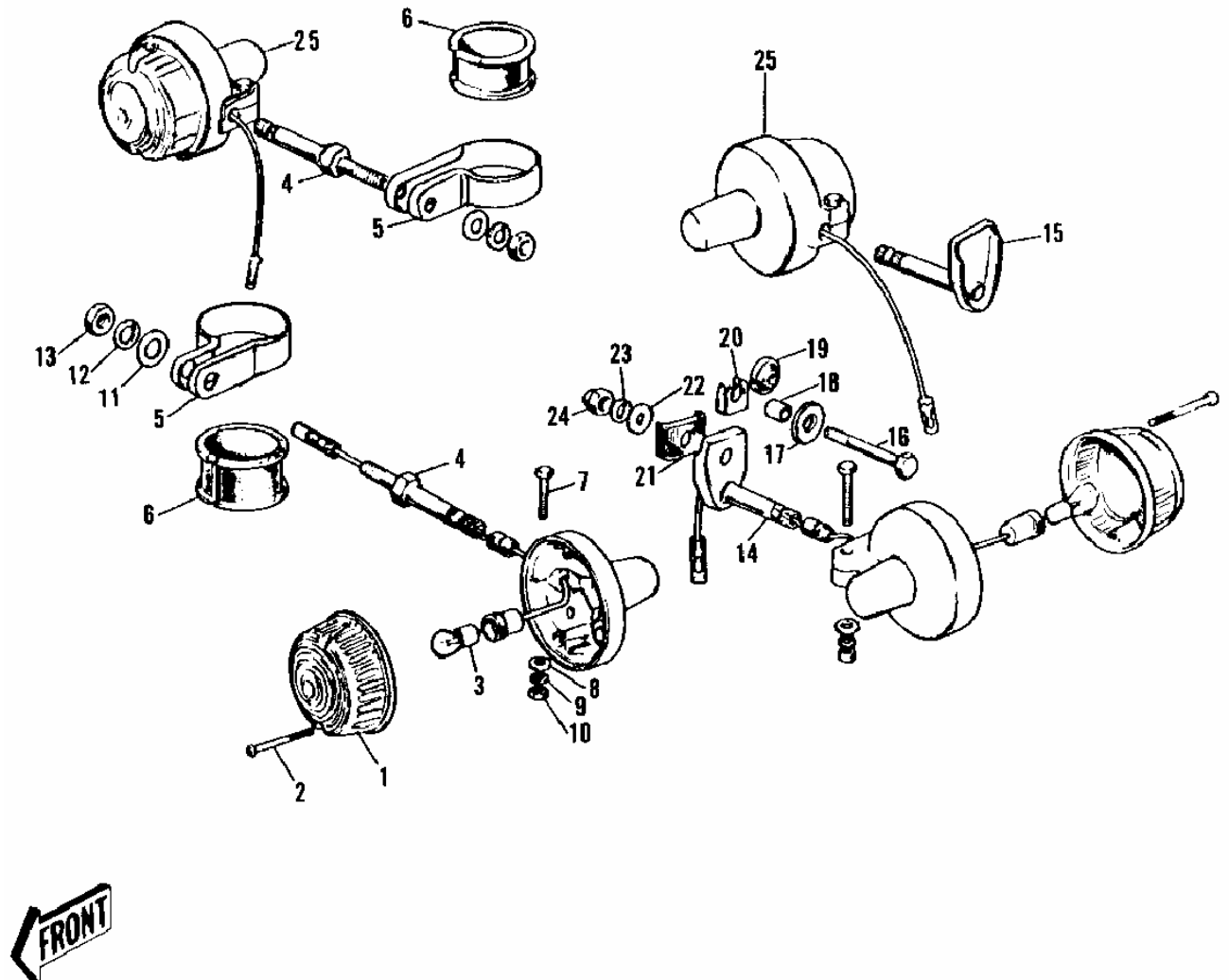
TRANSMISSION/CHANGE DRUM ('73-'77 D/E/F)

Ref #	Part #	Description	Qty	Spec Code
1	92043-016	PIN SELECT FORK GUIDE	3	
2	92031-001	WASHER LOCK 10MM	3	
3	13140-064	FORK, SELECTOR, 2ND&3RD	1	
4	13140-013	FORK SELECTOR TOP	1	
5	13140-014	FORK-SELECTOR, LOW	1	H1-D/E/F
5	13140-014	FORK-SELECTOR, LOW	1	KH500-A8
6	13239-007	DRUM ASSY-GEAR CHANGE	1	H1-D/E/F
6	13239-023	DRUM ASSY, CHANGE	1	KH500-A8
7	92042-014	PIN GEAR CHANGE DRUM	6	
8	13142-004	PLATE CHANGE DRUM PIN	1	
9	464H0600	WASHER LOCK 6MM	1	
10	220B0614	SCREW PAN HEAD 6X14	1	
11	220B0625	SCREW PAN HEAD 6X25	1	
12	461F0600	WASHER SPRING 6MM	1	
13	13147-001	ROTOR NEUTRAL SWITCH	1	H1-D/E/F
13	13147-005	ROTOR TRANSMISSION	1	KH500-A8
14	92028-073	BUSH	2	
15	92033-015	CIRCLIP	2	
16	92046-010	BEARING NEEDLE	2	
17	92022-112	WASHER THRUST	3	
18	92022-144	SHIM-KICK SHAFT	2	H1-D/E/F
18	92022-223	WASHER, THRUST	2	KH500-A8
19	92022-113	WASHER THRUST	2	
20	13130-017	2ND GEAR DRIVE SHAFT	1	
21	13134-003	4TH GEAR DRIVE SHAFT	1	
22	92022-076	WASHER 25MM	4	H1-D
22	92022-161	WASHER PLAIN	4	H1-E/F, KH500-A8
23	92033-026	CIRCLIP	5	
24	13132-014	3RD GEAR DRIVE SHAFT	1	
25	13136-041	TOP GEAR-DRIVE SHAFT	1	
26	13127-019	SHAFT DRIVE	1	
27	92045-010	BEARING BALL 6205NX3	2	
28	92022-114	WASHER THRUST	1	
29	463G2000	WASHER LOCK 20MM	1	
30	92016-028	NUT 20MM	1	

31	92015-019	NUT 18MM	1	
32	92024-067	WASHER, LOCK, 18MM	1	
33	13144-030	ENGINE SPROCKET 15T	1	STD
33	13144-035	ENGINE SPROCKET 14T	1	
33	13144-036	ENG SPROCKET 16T (OPT	1	
34	92055-035	"O" RING	1	
35	92050-024	OIL SEAL SC325210	1	
36	92026-1024	SPACER-ENG SPROCKET	1	
37	13128-020	SHAFT OUTPUT	1	
38	601B6005	BEARING BALL #6005	1	
39	92027-052	COLLAR	1	
40	92022-225	WASHER-THRUST	5	
41	13131-011	2ND GEAR OUTPUT SHAFT	1	
42	13135-007	4TH GEAR OUTPUT SHAFT	1	
43	13133-015	3RD GEAR OUTPUT SHAFT	1	
44	92024-033	WASHER-LOCK	1	
45	13137-010	TOP GEAR OUTPUT SHAFT	1	
46	13129-024	LOW GEAR OUTPUT SHAFT	1	
47	92024-072	WASHER, LOCK	1	KH500- A8
47	92022-225	WASHER-THRUST	1	H1-D/E/F
48	610A0406	PIN-DOWEL, 4X6	1	KH500- A8
49	13145-006	DISC, CHANG DRUM OPRTN	1	KH500- A8
50	480J3000	CIRCLIP, 30MM	1	KH500- A8
51	92043-076	PIN-NEUTRAL POSITION	1	KH500- A8
52	92081-112	SPRING	1	KH500- A8
53	92065-090	GASKET	1	KH500- A8
54	92001-131	BOLT, 10MM	1	KH500- A8
55	92022-053	WASHER THRUST	1	KH500- A8
56	13151-012	SWITCH NEUTRAL	1	
57	221B0616	SCREW CNTSNK HD 6X16	1	

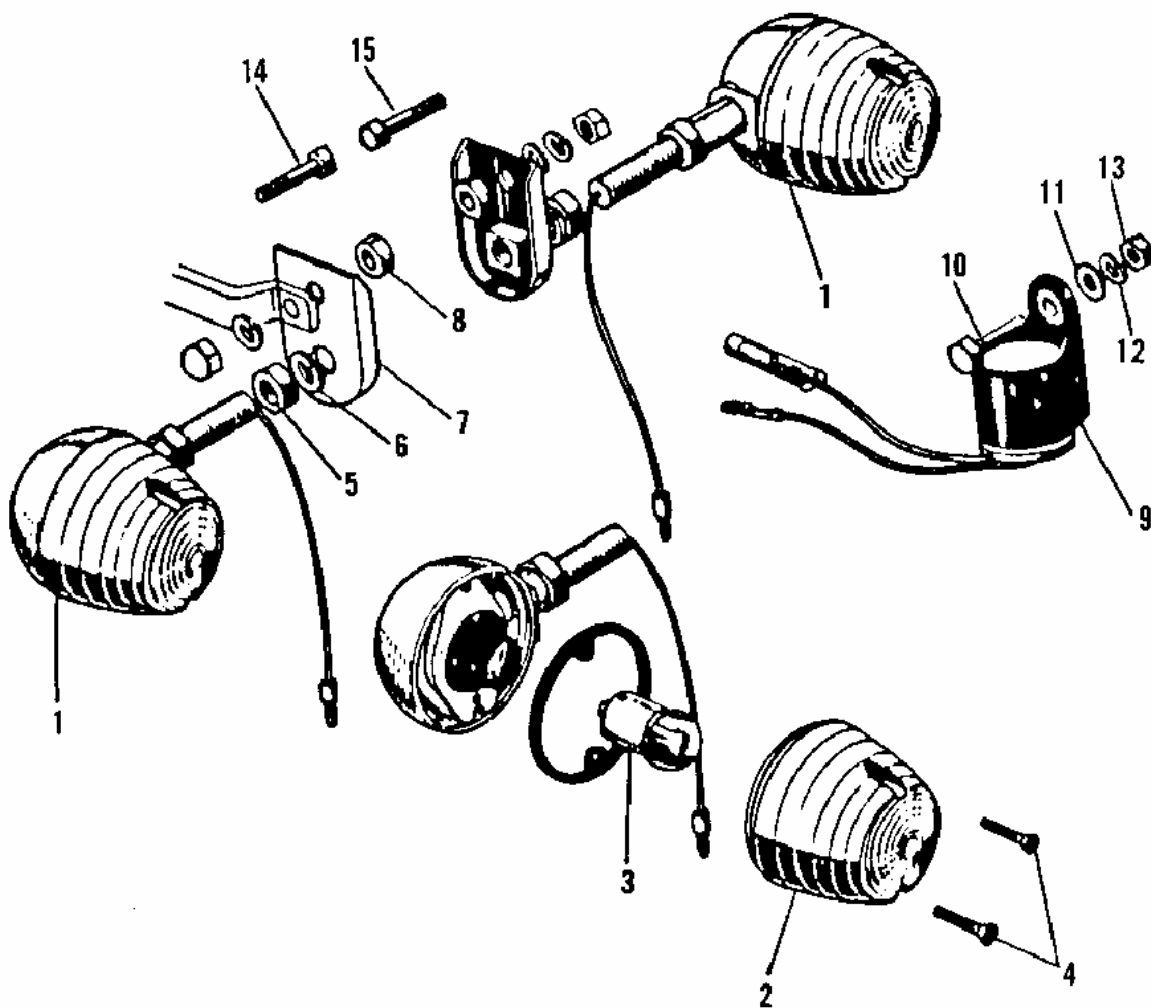
TAILLIGHT ('73-'75 D/E/F & '76 A8)

Ref #	Part #	Description	Qty	Spec Code
1	23040-037	LAMP ASSY-TURN SIGNAL	4	
2	220E0420A	SCREW-PAN HEAD, 4X20	8	
3	23058-002	WASHER-PLAIN, 4MM	8	
4	23048-1001	LENS, TURN SIGNAL LAMP	4	
5	23050-003	GASKET-SIG LAMP LENS	4	
6	92069-055	BULB 12V 32CP	4	
7	112G0630	BOLT-UPSET	4	
8	411D0600	WASHER-PLAIN, 6MM	8	
9	461F0600	WASHER SPRING 6MM	4	
10	311N0600	NUT, 6MM	4	
11	23078-001	BRACKET-TURN SIG LAMP	4	
12	23073-001	BOLT SET-SIG LAMP BKT	4	
13	92075-128	DAMPER RUBBER	4	
14	315B1000	NUT 10MM	4	
15	92075-158	DAMPER RUBBER, SIG LM	2	
16	23076-003	COLLAR	2	
17	461F1000	WASHER SPRING 10MM	2	



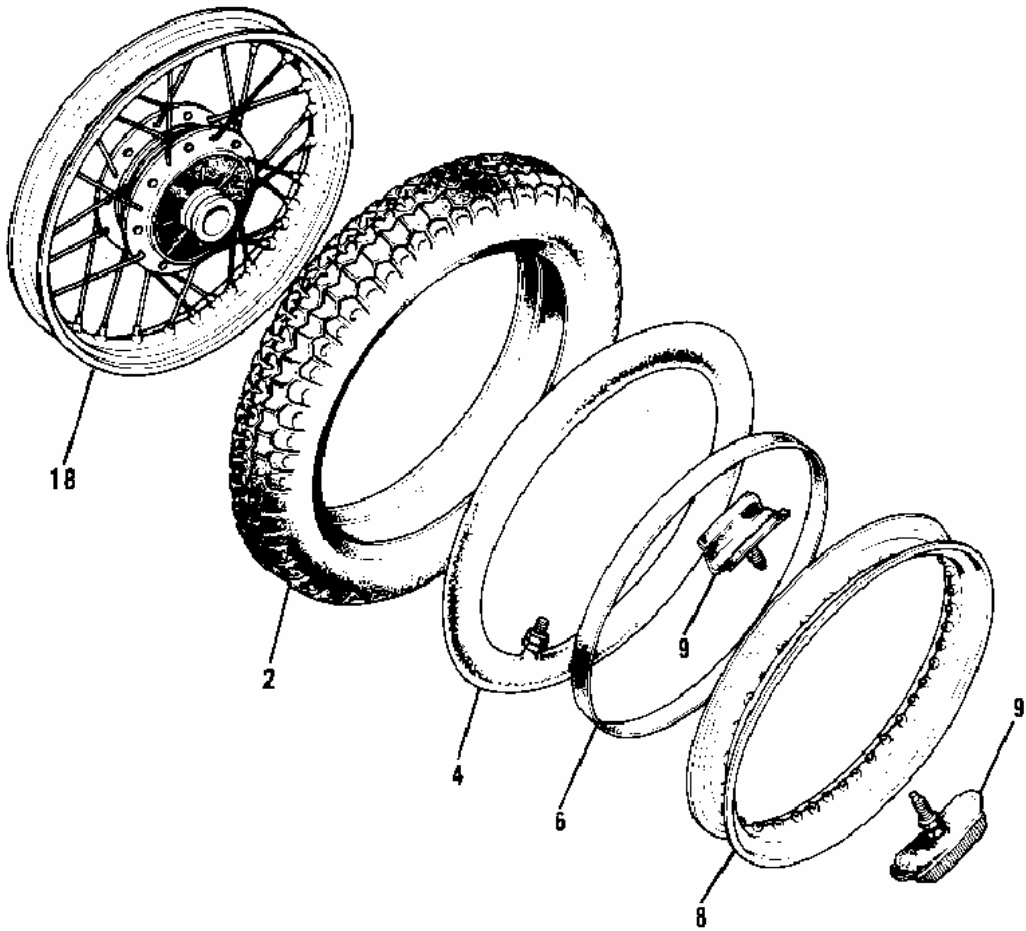
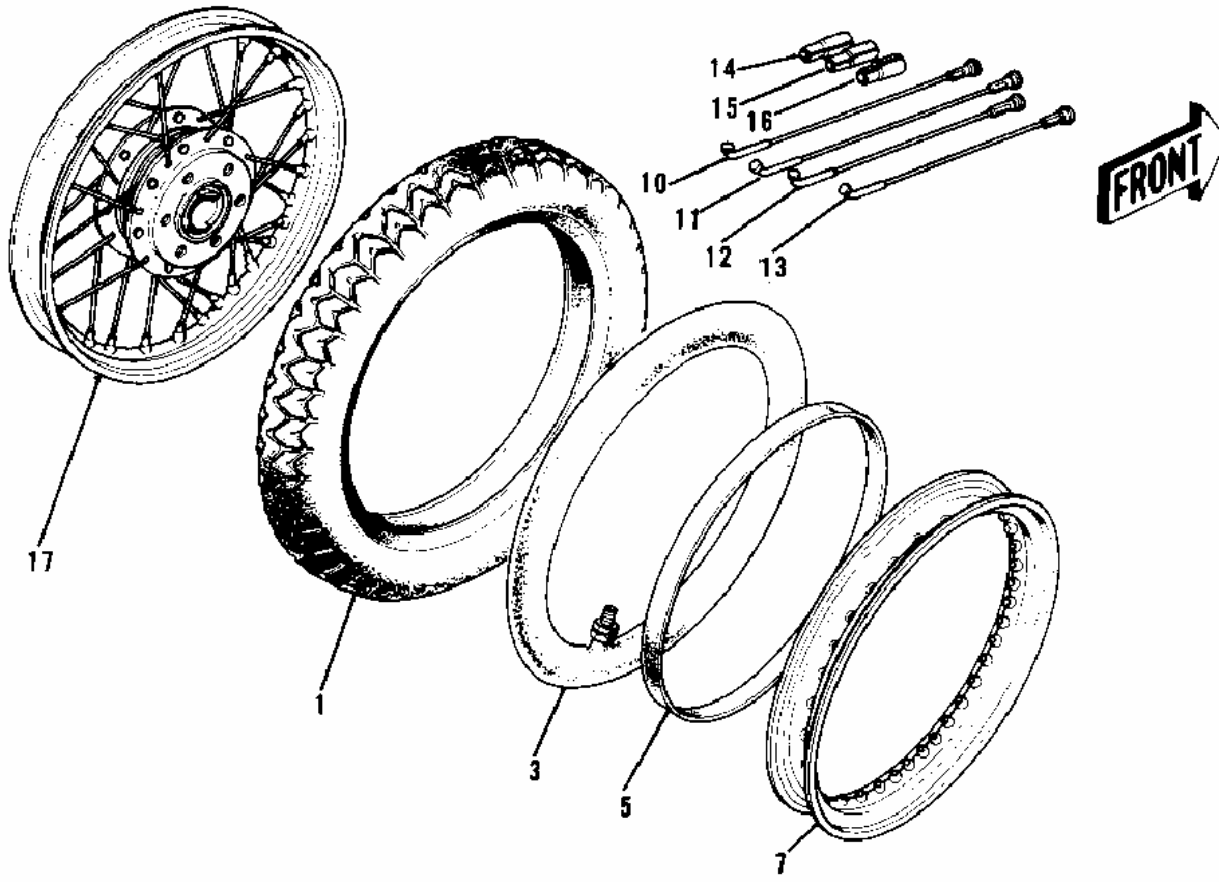
TURN SIGNALS (H1-B/C)

Ref #	Part #	Description	Qty	Spec Code
1	23048-1024	LENS-SIGNAL LAMP	4	
2	220E0430	SCREW PAN HEAD 4X30	8	
3	92069-055	BULB 12V 32CP	4	
4	23051-047	BRACKET, TURN SIGNAL	2	
5	23051-021	BKT -FRT SIGNAL LAMP	2	H1-C
6	92075-088	DAMPER RUBBER-FR SGNL	2	H1-C
7	112G0630	BOLT-UPSET	4	
8	410B0600	WASHER PLAIN 6MM	4	
9	461F0600	WASHER SPRING 6MM	4	
10	311B0600	NUT 6MM	4	
11	410B1200	WASHER PLAIN 12MM	2	H1-C
12	461F1200	WASHER SPRING 12MM	2	
13	314N1200A	NUT, 12MM	2	H1-B
13	315B1200	NUT -HEX-FINE, 12MM	2	H1-C
14	23051-018	BKT -RR SIGNL LAMP, R.H	1	
15	23051-019	BKT -RR SIGNL LAMP, L.H	1	
16	92001-1254	BOLT, HEX HEAD, 10X50	2	
17	92022-206	WASHER-PLAIN	2	
18	92027-137	COLLAR	2	
19	92075-114	DAMPER RUBBER, A	2	
20	23061-003	PLATE-EARTH	2	
21	92075-082	DAMPER RUBBER B	2	
22	411B1000	WASHER PLAIN 10MM	2	H1-C
23	461F1000	WASHER SPRING 10MM	2	
24	311B1000	NUT (10MM)	2	H1-C
25	23040-029	LAMP-TURN SIGNAL	4	



TURN SIGNALS (H1/A OPTIONAL)

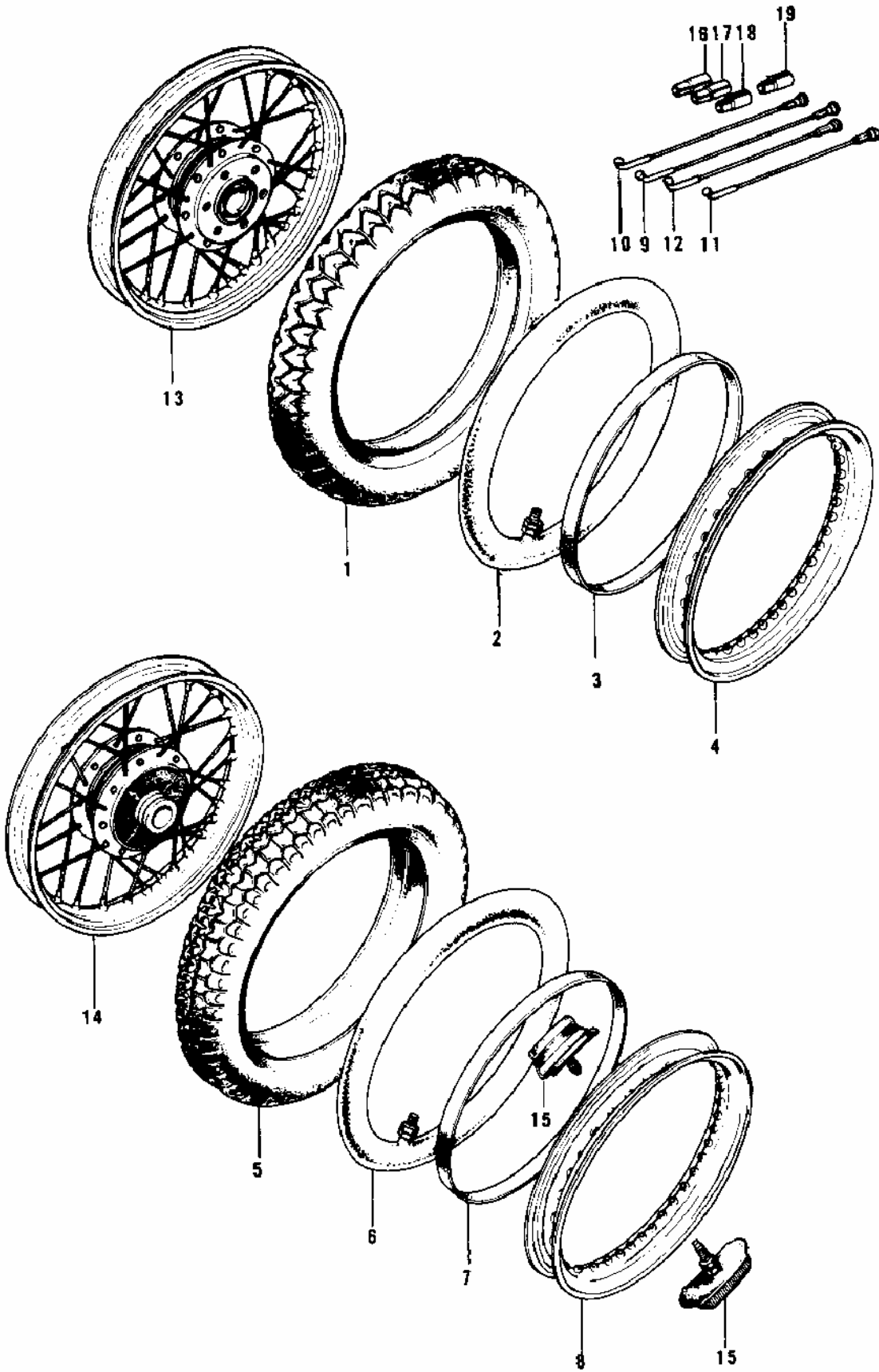
Ref #	Part #	Description	Qty	Spec Code
1	23040-020	LAMP FRNT TURN SIGNAL	4	
2	23048-011	LENS TURN SIGNAL LAMP	4	
3	92069-043	BULB 12V 8W	4	
4	222B0315A	SCREW OVL CNTSNK 3X15	8	
5	315B1000	NUT 10MM	4	
6	461F1000	WASHER SPRING 10MM	4	
7	23051-011	BRACKET TURN SIG LAMP	2	
8	92027-015	COLLAR FUEL TANK FIT	2	
9	27002-008	RELAY TURN SIGNAL	1	
10	112G0616	BOLT-UPSET,6X16	1	
11	411B0600	WASHER PLAIN 6MM	1	
12	461F0600	WASHER SPRING 6MM	1	
13	311B0600	NUT 6MM	1	
14	92001-1581	BOLT, FLANGED, 8X60	1	
15	92001-1386	BOLT, 8X55	1	



WHEELS/TIRES ('69-'72 H1/A/B/C)

Ref #	Part #	Description	Qty	Spec Code
1	41020-004	UNAVAILABLE IN PRICE BOOK	1	
1	41021-038	TIRE 325H-19 F6B (F)	1	
2	41021-011	UNAVAILABLE IN PRICE BOOK	1	
2	41021-039	TIRE 400H-18 K87 (R)	1	
3	41022-030	*** N.L.A.*** (Canada)	1	
3	41022-1019	TUBE,3.0/3.25/3.60-19	1	
4	41022-031	TUBE 350/375/410-18	1	
5	41023-015	BAND RIM	1	
6	41023-1006	BAND,RIM,4.00/5.10-18	1	
7	41025-056	RIM 1.85BX19W	1	H1/A/C
7	41025-051	RIM, 1.8BX19W	1	H1-B
8	41025-058	RIM-2-15BX18W	1	
9	41024-007	PROTECTOR-BEAD 1.85B	2	
10	41027-044	SPOKE-ASY, FR INNER	20	H1/A/C
10	41027-042	SPOKE-ASY, FR INNER	20	H1-B
11	41028-043	SPOKE-ASY, FR OUTER	20	H1/A/C
11	41028-041	SPOKE-ASY, FR OUTER	20	H1-B
12	41027-047	SPOKE-ASY, RR INNER	20	
13	41028-046	SPOKE-ASY, RR OUTER	20	
14	41075-1007	WEIGHT,BALANCE, 10G	AR	
15	41075-1008	WEIGHT,BALANCE, 20G	AR	
16	41075-1009	WEIGHT,BALANCE, 30G	AR	
17	41074-006	WHEEL ASSY FRONT	1	H1/A/C
17	41074-022	WHEEL ASSY-FRONT	1	H1-B
18	42048-008	WHEEL ASSY REAR	1	
18	42048-021	WHEEL ASSY, REAR	1	

FRONT



WHEELS/TIRES ('73-'75 D/E/F & '76 A8)

Ref #	Part #	Description	Qty	Spec Code
1	41021-029	UNAVAILABLE IN PRICE BOOK	1	H1-D/E/F
1	41021-038	TIRE 325H-19 F6B (F)	1	KH500- A8
2	41022-030	*** N.L.A.*** (Canada)	1	
2	41022-1019	TUBE,3.0/3.25/3.60-19	1	
3	41023-015	BAND RIM	1	
4	41025-051	RIM, 1.8BX19W	1	H1-D/E/F
4	41025-085	RIM	1	KH500- A8
5	41021-021	UNAVAILABLE IN PRICE BOOK	1	H1-D
5	41021-030	UNAVAILABLE IN PRICE BOOK	1	H1-E/F
5	41021-039	TIRE 400H-18 K87 (R)	1	KH500- A8
6	41022-031	TUBE 350/375/410-18	1	
7	41023-1006	BAND, RIM, 4.00/5.10-18	1	
8	41025-058	RIM-2-15BX18W	1	
9	41027-042	SPOKE-ASY, FR INNER	20	H1-D/E/F
9	41027-085	SPOKE-ASY, FR INNER	20	KH500- A8
10	41028-041	SPOKE-ASY, FR OUTER	20	H1-D/E/F
10	41028-084	SPOKE-ASY, FR OUTER	20	KH500- A8
11	41027-047	SPOKE-ASY, RR INNER	20	
12	41028-046	SPOKE-ASY, RR OUTER	20	
13	41074-022	WHEEL ASSY-FRONT	1	H1-D/E/F
13	41074-047	WHEEL ASSY FRONT	1	KH500- A8
14	42048-021	WHEEL ASSY, REAR	1	
15	41024-008	PROTECTOR-BEAD, 2.15B	1	
16	41075-1007	WEIGHT,BALANCE, 10G	AR	
17	41075-1008	WEIGHT,BALANCE, 20G	AR	
18	41075-1009	WEIGHT,BALANCE, 30G	AR	
19	41075-1010	WEIGHT,BALANCE, 5G	AR	