

PARTS CATALOGUE

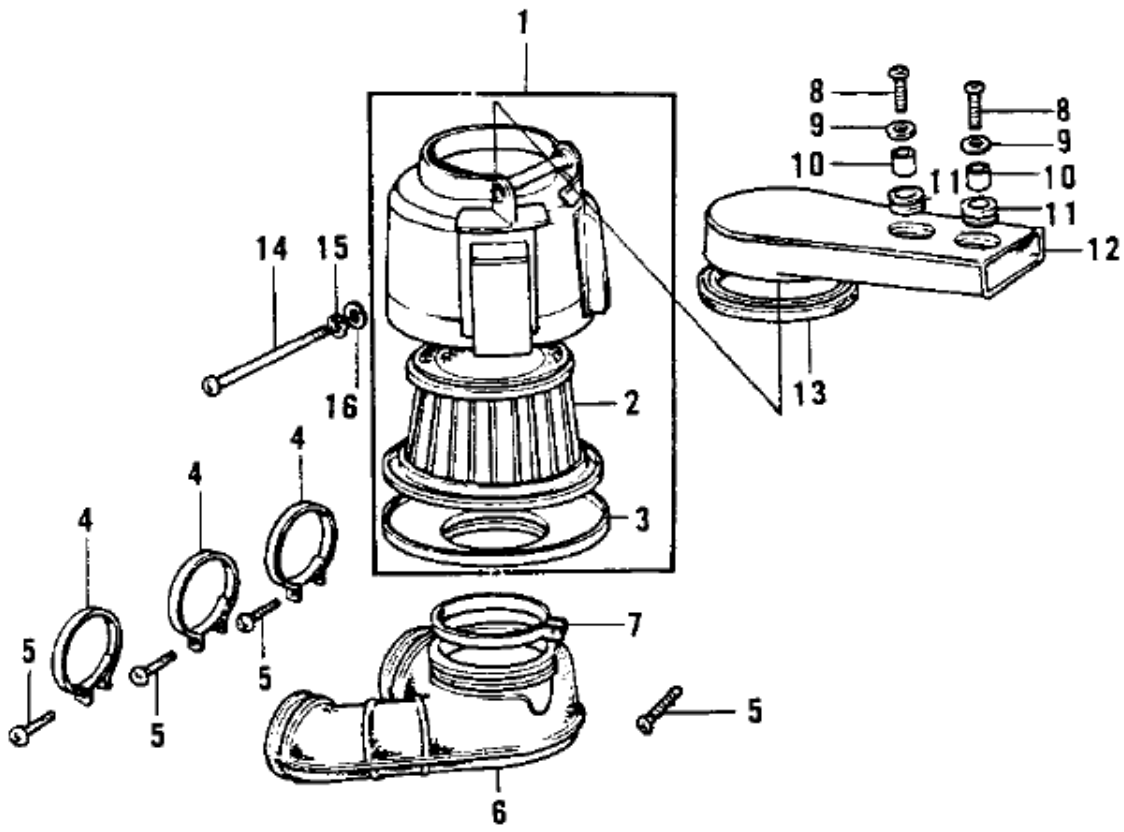
KAWASAKI 500 H1 D-E-F



INDEX

1- AIR CLEANER.....	P2
2- CABLES.....	P4
3- CARBURATORS.....	P6
4- CHASSIS ELECTRICAL EQUIPMENT.....	P8
5- CLUTCH.....	P10
6- CRANKCASE.....	P12
7- CRANKSHAFT / PISTONS.....	P14
8- CYLINDER HEADS / CYLINDERS.....	P16
9- ENGINE COVERS.....	P18
10- FENDERS.....	P20
11- FOOTRESTS / STANDS / BRAKE PEDAL.....	P22
12- FRAME / FRAME FITTINGS.....	P24
13- FRONT BRAKE.....	P27
14- FRONT FORK.....	P29
15- FRONT HUB.....	P32
16- FRONT MASTER CYLINDER.....	P34
17- FUEL TANK.....	P36
18- GEAR CHANGE MECHANISM.....	P38
19- HANDLEBAR.....	P40
20- HEADLIGHT.....	P43
21- IGNITION / GENERATOR / REGULATOR (H1D).....	P45
22- IGNITION / GENERATOR / REGULATOR (H1E/F).....	P47
23- KICKSTARTER MECHANISM.....	P49
24- METERS/IGNITION SWITCH.....	P51
25- MUFFLERS.....	P53
26- OIL PUMP.....	P55
27- REAR HUB / BRAKE / CHAIN.....	P57
28- SEAT / SEAT COVER.....	P59
29- SIDE COVERS / OIL TANK / CHAIN COVER.....	P61
30- SWING ARM / SHOCK ABSORBERS.....	P63
31- TAILLIGHT.....	P65
32- TRANSMISSION / CHANGE DRUM.....	P67
33- TURN SIGNALS.....	P70
34- WHEELS / TIRES.....	P72

1- AIR CLEANER

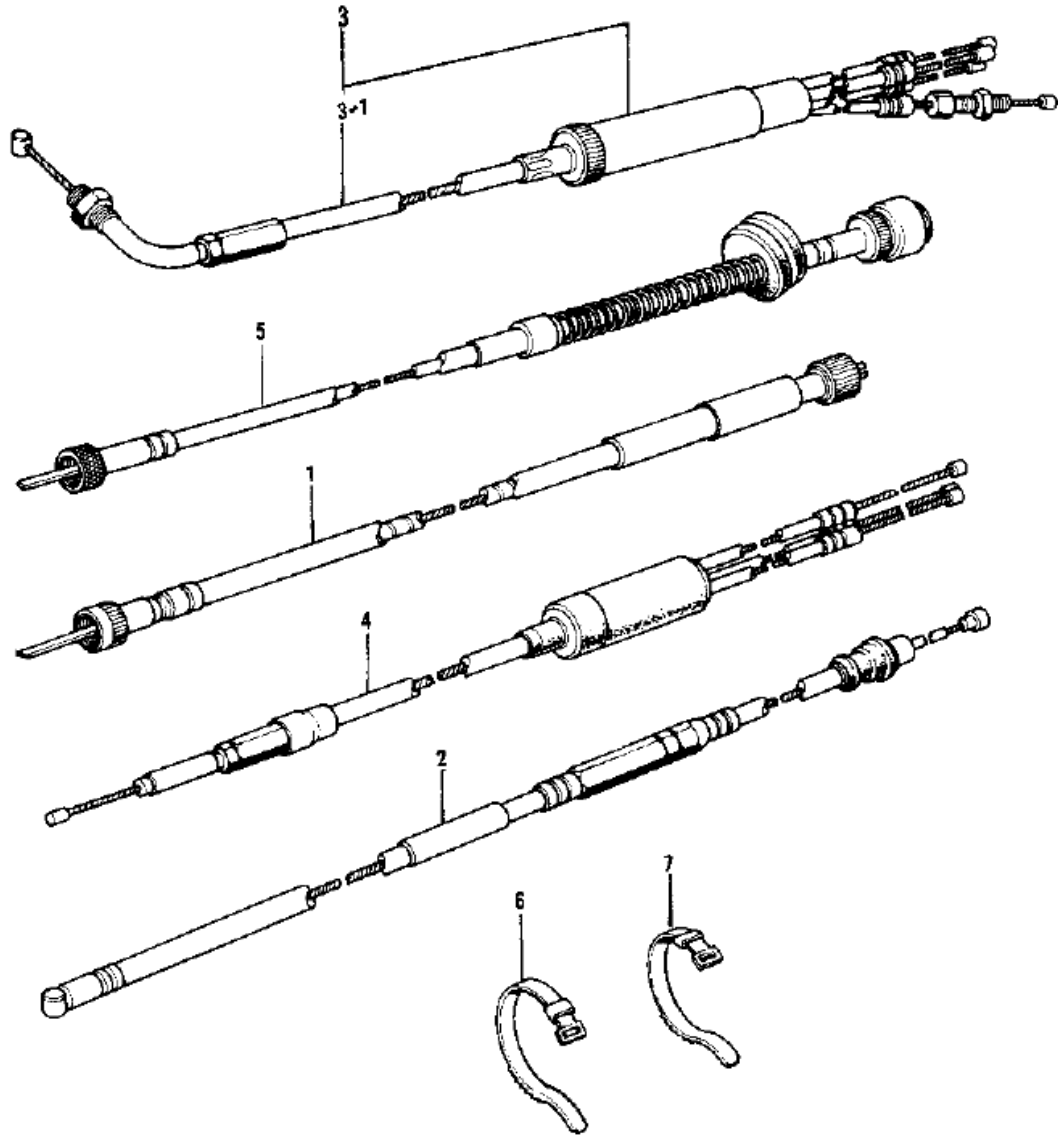


(H1-D/E)

1- AIR CLEANER

Ref n°	Part n°	Description	Qty	Spec Code
1	11010-065-10	AIR CLEANER ASY,BLACK	1	H1-D/E
1	11010-091-21	AIR CLEANER ASY,BLACK	1	H1-F
2	11013-019	ELEMENT,AIR CLNR	1	
3	11012-011	CAP AIR CLEANER	1	
4	92037-1326	CLAMP	3	
5	220B0635	SCREW PAN HEAD 6X35	4	H1-D
5	220C0635	SCREW-PAN-CROS.6X35,B	4	H1-E/F
6	11015-033	PIPE ASSY-INLET	1	
7	92037-128	CLAMP,AIR CLEANER	1	
8	220B0645	SCREW PAN HEAD 6X45	2	
9	92022-125	WASHER 6.5X20X1.6T	2	
10	92027-149	COLLAR-SILENCER	2	
11	92075-118	DAMPER RUBBER	2	
12	11016-006	SILENCER	1	
13	11017-009	GASKET,SILENCER	1	
14	220B06110	SCREW PAN HEAD 6X110	1	
15	461F0600	WASHER SPRING 6MM	1	
16	411B0600	WASHER PLAIN 6MM	1	

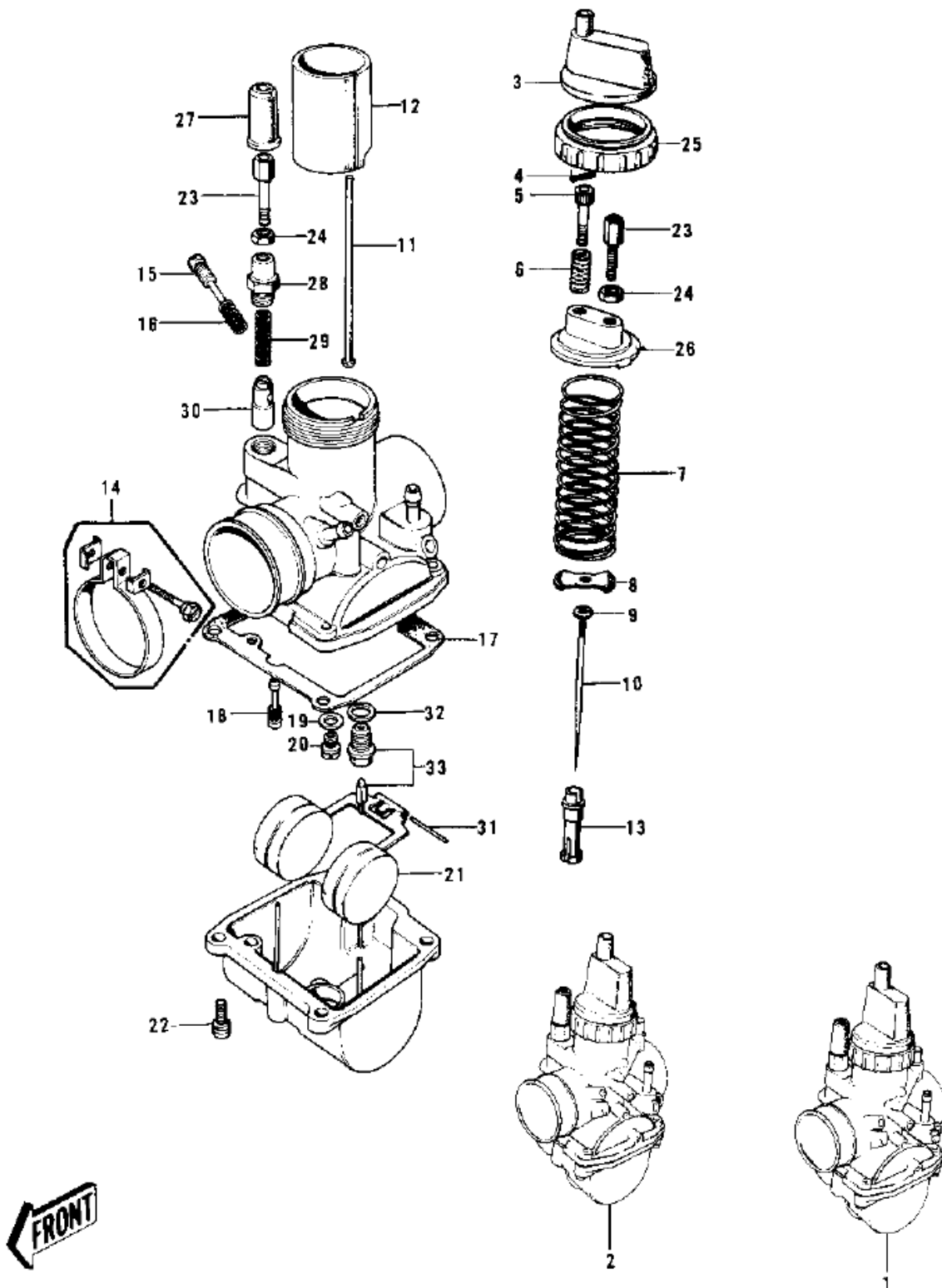
2- CABLES



2- CABLES

Ref n°	Part n°	Description	Qty	Spec Code
1	54011-030	CABLE CLUTCH	1	
2	54011-030	CABLE CLUTCH	1	
3	54012-054	CABLE COMBINATION	1	
3-1	54012-054-SP	CABLE,TROTTLE UPPER	1	
4	54017-053	CABLE,STARTER	1	
5	54018-007	CABLE TACHOMETER	1	
6	92072-031	BAND,MIDDLE	2	
7	92072-032	BAND,LONG	2	

3- CARBURATORS

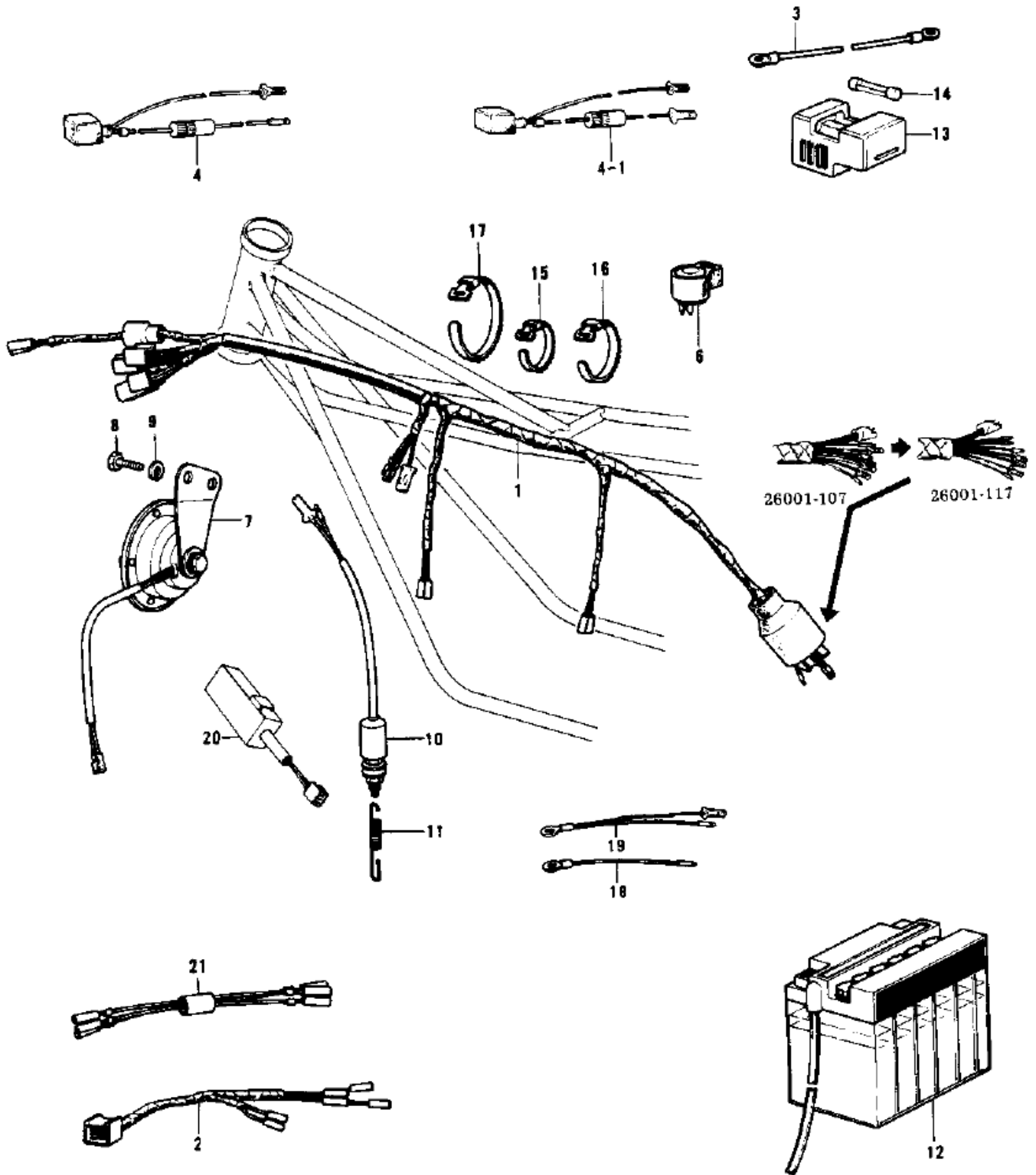


3- CARBURETORS

Ref n°	Part n°	Description	Qty	Spec Code
1	16001-165	CARBURETOR ASY,L,H&CN	2	H1-D/E/F
1	16001-276	CARBURETOR ASY,L-H&CN	2	KH500-A8
2	16001-166	CARBURETOR ASSY,R,H	1	H1-D/E/F
2	16001-257	CARBURETOR ASSY,R,H	1	KH500-A8
2	16001-277	CARBURETOR ASSY,R H	1	KH500-A8
3	16036-004	CAP CARBURETOR RUBBER	3	
4	550D1210	PIN COTTER 1.2X10	3	
5	16021-002	SCREW,THROTTLE STOP	3	
6	16022-005	SPRING THR STOP SCREW	3	
7	16006-012	SPRING THROTTLE VALVE	3	
8	16007-007	SPRING SEAT THRTL VLV	3	
9	16008-010	CIRCLIP	3	
10	16009-049	JET NEEDLE 5DJ19	3	
11	16024-005	ROD THROTTLE VLV STOP	3	
12	16025-048	VALVE-THROTTLE CA2.0	3	
13	16017-062	NEEDLE JET,0-4	3	
14	16051-002	CLAMP SET CARB MOUNT	3	
15	16014-006	SCREW	3	
16	16022-007	SPRING-THR STOP SCREW	3	
17	16019-008	GASKET FLOAT CHAMBER	3	
18	92064-022	JET-PILOT NO 30	3	H1-D/E/F
18	92064-032	JET-PILOT NO 25	3	KH500-A8
19	16034-001	WASHER MAIN JET	3	
20	92063-068	MAIN JET NO 92.5R	3	H1-D/E/F, STD
20	92063-109	MAIN JET NO 75R	3	KH500-A8, STD
20	92063-094	MAIN JET NO 87.5R	3	H1-D/E/F
20	92063-1029	MAIN JET,#A90R	3	H1-D/E/F
20	92063-1031	MAIN JET,#A95	3	H1-D/E/F
20	92063-1035	MAIN JET,#A97.5R	3	H1-D/E/F
20	92063-1012	MAIN JET,#70R	3	KH500-A8
20	92063-108	MAIN JET NO 72.5R	3	KH500-A8
20	92063-1032	MAIN JET,#77.5R	3	KH500-A8
20	92063-1030	MAIN JET, #A80	3	KH500-A8
21	16031-023	FLOAT	3	
22	16033-009	SCREW FLOAT CHAMBER	12	
23	16002-017	ADJUSTER,CABLE	6	
24	16003-004	NUT CABLE ADJUST LOCK	6	
25	16004-006	CAP MIXING CHAMBER	3	
26	16005-016	TOP MIXING CHAMBER	3	
27	16036-005	CAP CABLE ADJUST RUBB	3	
28	16012-008	CAP STARTER PLUNGER	3	
29	16013-003	SPRING-PLUNGER	3	
30	16016-002	PLUNGER-ENRICHNER	3	
31	16032-003	FLOAT PIN	3	
32	16029-004	WASHER FLOAT VLV SEAT	3	
33	16030-005	FLOAT VALVE ASSY	3	

4- CHASSIS ELECTRICAL EQUIPMENT

Re
—



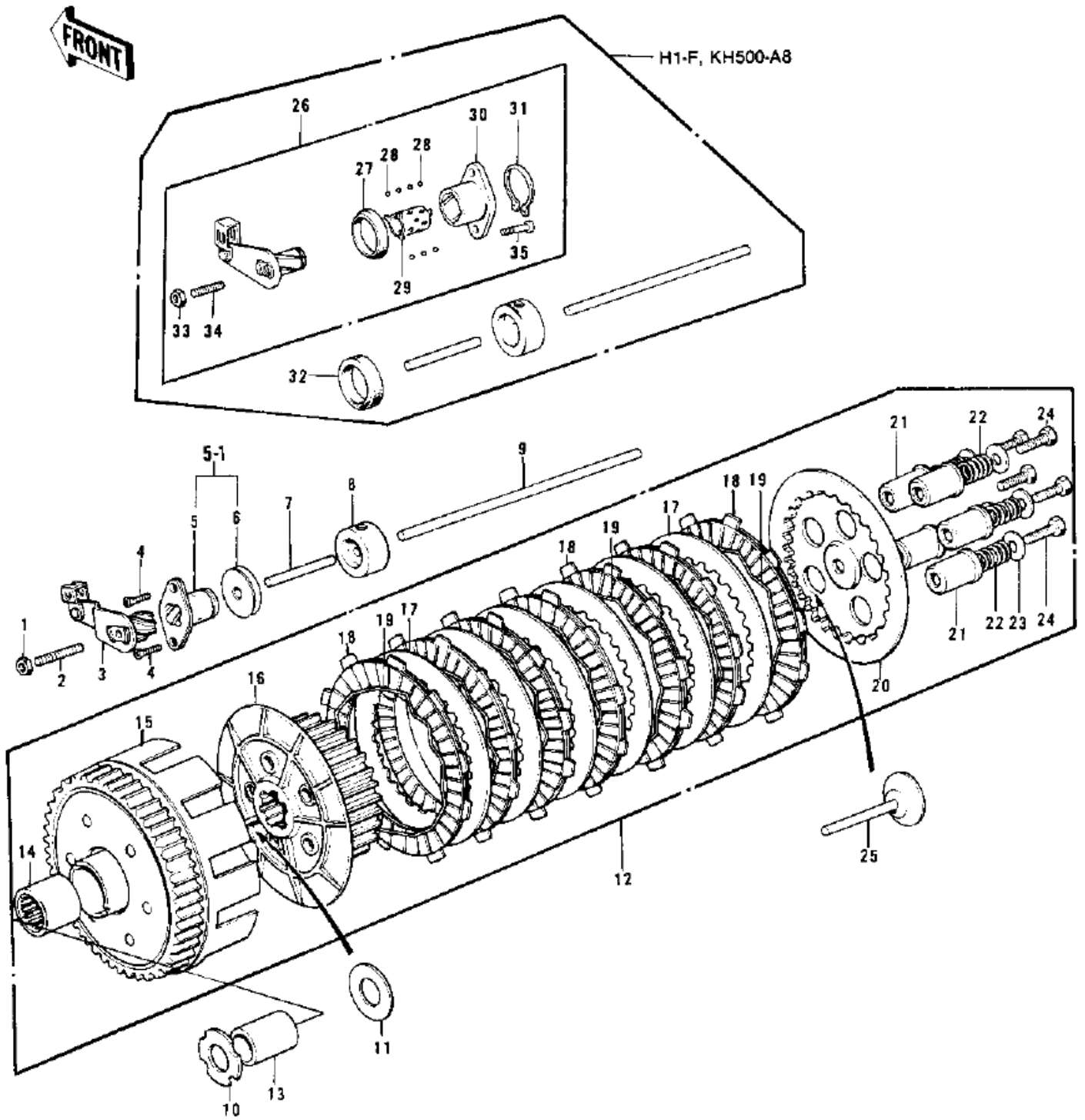
1045-2

(H1-D/A)

4- CHASSIS ELECTRICAL EQUIPMENT

Ref n°	Part n°	Description	Qty	Spec Code
1	26001-095	WIRING HARNESS,MAIN	1	H1-D
1	26001-107	WIRING HARNESS,MAIN	1	H1-E
1	26001-117	WIRING HARNESS,MAIN	1	H1-E/F
2	26002-039	WIRING HARNESS,REAR	1	
3	26010-023	WIRE-GROUND LEAD	1	
4	26004-016	FUSE ASSY	1	H1-D/E, USE FOR 26001-095/107
4-1	26004-023	FUSE ASSY	1	H1-E/F, USE FOR 26001-117
5	26006-005	FUSE-20A	1	
6	27002-011	RELAY-TURN SIGNAL	1	
7	27003-043	HORN	1	H1-D
7	27003-047	HORN	1	H1-E/F
8	115G0820	BOLT,8X20	2	H1-D
8	115G0816	BOLT-SMALL-UPSET,8X16	2	H1-E/F
9	461F0800	WASHER SPRING 8MM	2	
10	27010-020	SWITCH-BRAKE LAMP	1	
10	27010-025	SWITCH,BRAKE LIGHT	1	H1-F
11	27011-013	SPRING-BRAKE LAMP SW	1	H1-D/E
11	27011-017	SPRING.BRAKE LAMP SN	1	H1-F
12	26012-039	YUA BAT 12N9-3B	1	12N9-3B
13	26016-003	HOLDER,SPARE FUSE	1	
14	26006-005	FUSE-20A	2	
15	92072-030	BAND,SHORT	4	
16	92072-031	BAND,MIDDLE	4	
17	92072-056	BAND.WIRING HARNESS	5	
18	26011-080	WIRE,LEAD	1	USE FOR 26001-117
19	26011-079	WIRE,LEAD	1	USE FOR 26001-095/107
20	28019-001	SWITCH,OUTAGE,INDICTR	1	H1-E/F
21	26011-067	WIRE,IGNITION SW LEAD	1	H1-D

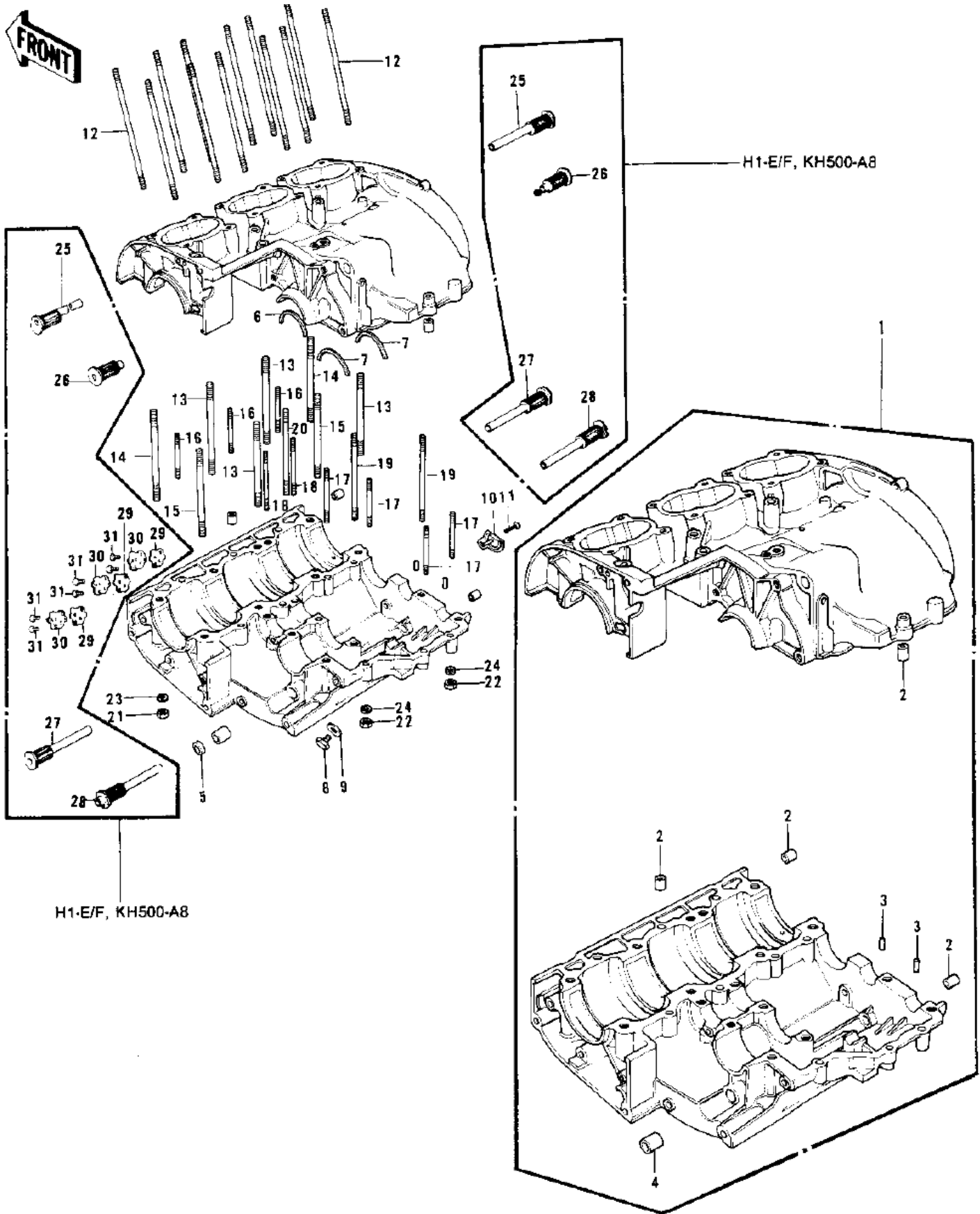
5- CLUTCH



5- CLUTCH

Ref n°	Part n°	Description	Qty	Spec Code
1	311B0600	NUT 6MM	1	H1-D/E
2	291Z0625	SCREW SLOTTED	1	H1-D/E
3	13102-017	INNER,CLUTCH RELEASE	1	H1-D/E
4	221B0616	SCREW CNTSNK HD 6X16	2	H1-D/E
5	13118-008	OUTER,CLUTCH RELEASE	1	H1-D/E
5-1	13231-010	RELEASE ASSY,CLUTCH	1	H1-D/E
6	92050-025	OIL SEAL SC7317	1	H1-D/E
7	13116-010	ROD CLUTCH PUSH SHORT	1	L=49 MM
8	92028-070	BUSH CLUTCH PUSH ROD	1	
9	13116-009	ROD CLUTCH PUSH LONG	1	L=167.5 MM
10	92022-119	WASHER THRUST	1	
11	92026-022	WASHER TH 25.5X47X2.5	1	
12	13081-071	CLUTCH-ASSY	1	H1-D
12	13081-071	CLUTCH-ASSY	1	H1-E/F, KH500-A8
13	92028-081	BUSHING 25X30X34L	1	
14	92046-004	BEARING NEEDLE	1	
15	13095-018	HOUSING CLUTCH	1	
16	13087-030	HUB-CLUTCH	1	
17	13089-013	PLATE CLUTCH STEEL	6	
18	13088-015	PLATE CLUTCH FRICTION	7	H1-D
18	13088-015	PLATE CLUTCH FRICTION	7	H1-E
18	13088-1008	PLATE,CLUTCH FRICTION	7	H1-F, KH500-A8
19	13229-003	RING-CLUTCH STEEL	7	
20	13187-005	PLATE-CLUTCH SPRING	1	
21	13092-005	GUIDE CLUTCH SPRING	5	
22	92081-042	SPRING CLUTCH	5	
23	13091-009	HOLDER CL SPG6.5X20X2	5	
24	112G0618	BOLT-UPSET	5	
25	13116-011	PUSHER-CLTCH SPRG PLT	1	
26	13231-1001	RELEASE ASSY,CLUTCH	1	H1-F, KH500-A8
27	92056-007	OIL SEAL	1	H1-F, KH500-A8
28	600A0400	BALL STEEL 1/8"	11	H1-F, KH500-A8
29	13197-006	RETAINER	1	H1-F, KH500-A8
30	13118-015	OUTER,CLUTCH RELEASE	1	H1-F, KH500-A8
31	480J1500	CIRCLIP 15MM	1	H1-F, KH500-A8
32	92050-070	OIL SEAL	1	H1-F, KH500-A8
33	311B0600	NUT 6MM	1	H1-F, KH500-A8
34	291Z0625	SCREW SLOTTED	1	H1-F, KH500-A8
35	220B0616	SCREW PAN HEAD 6X16	2	H1-F, KH500-A8

6- CRANKCASE

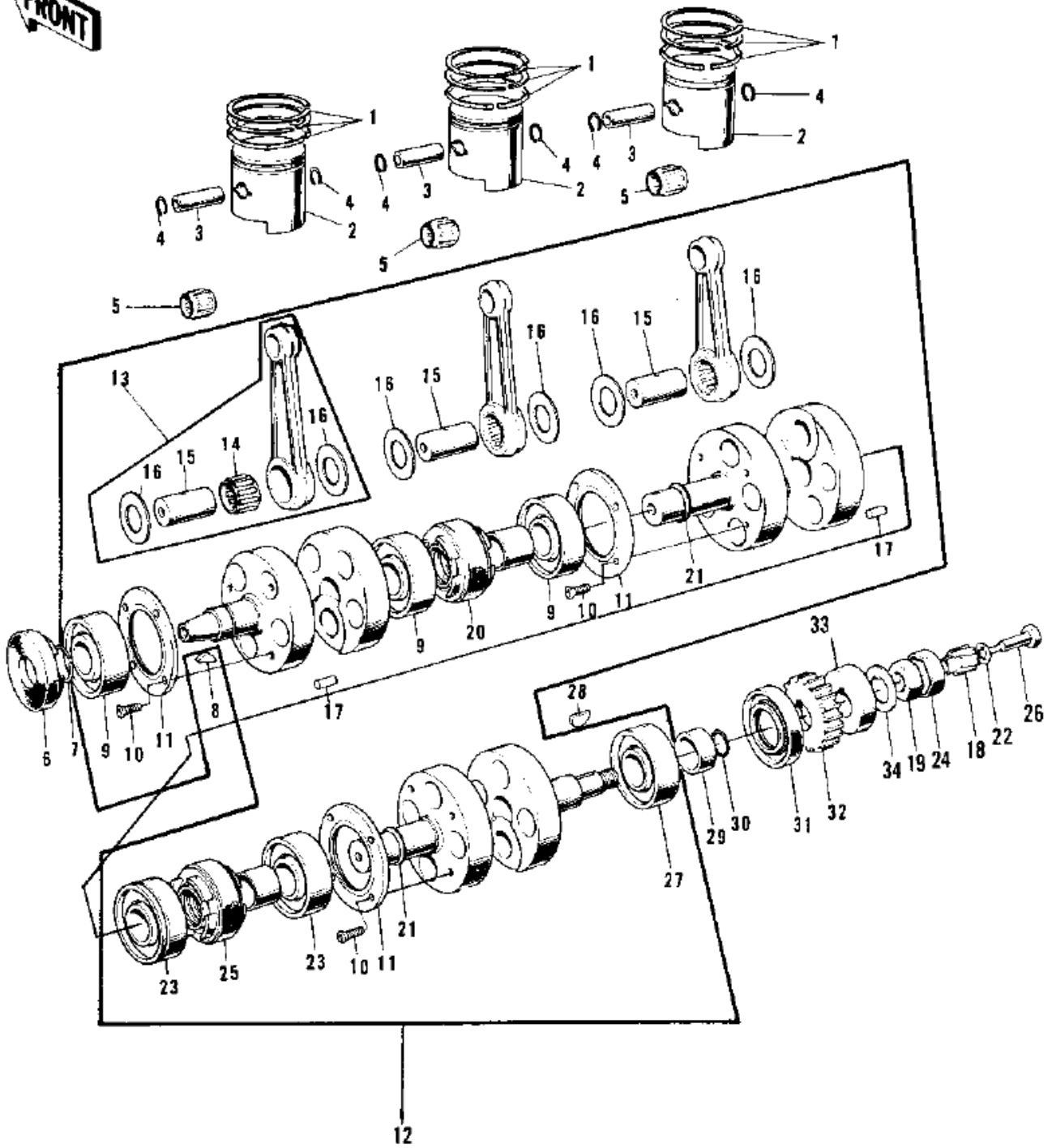


6- CRANKCASE

Ref n°	Part n°	Description	Qty	Spec Code
1	14001-030	CRANKCASE SET	1	H1-D
1	14001-5004	CRANKCASE SET	1	H1-E/F
1	14001-078	CRANKCASE ASSY	1	KH500-A8
2	92043-1037	PIN,DOWEL,10X8.2X14	4	
3	92042-016	PIN DOWEL 6MM	4	
4	92028-071	BUSH CHANGE PEDAL SHT	1	
5	92049-004	OIL SEAL SB12205	1	
6	14013-1004	RING,POSITION	1	
7	14013-004	RING BEARING SETTING	2	
8	92067-001	PLUG OIL DRAIN	1	
9	92065-058	GASKET CHECK VALVE	1	
10	14015-001	RECEIVER OIL	1	
11	221B0616	SCREW CNTSNK HD 6X16	1	
12	172G0875	STUD 8X75	12	
13	172G1060	STUD 10X60	8	
14	172G1075	STUD 10X75	2	
15	172G1090	STUD 10X90	2	
16	172G0622	STUD 6X22	3	H1-D
16	172G0620	STUD 6X20	3	H1-E/F, KH500-A8
17	172G0635	STUD 6X35	4	
18	172G0650	STUD 6X50	3	
19	172G0675	STUD 6X75	4	
20	172G0685	STUD 6X85	1	
21	317B1000	NUT,10MM	12	
22	311B0600	NUT 6MM	15	
23	461F1000	WASHER SPRING 10MM	12	
24	461F0600	WASHER SPRING 6MM	15	
25	14017-012	ABSORBER,FRONT UPPER	2	H1-E/F, KH500-A8
26	14017-013	ABSORBER,REAR UPPER	2	H1-E/F, KH500-A8
27	14017-010	ABSORBER,FRONT LOWER	2	H1-E/F, KH500-A8
28	14017-011	ABSORBER,REAR LOWER	2	H1-E/F, KH500-A8
29	14051-003	GASKET.CHECK VALVE	3	H1-E/F, KH500-A8
30	16128-008	VALVE.CHECK	3	H1-E/F, KH500-A8
31	220B0620	SCREW PAN HEAD 6X20	6	H1-E/F, KH500-A8

7- CRANKSHAFT / PISTONS

FRONT

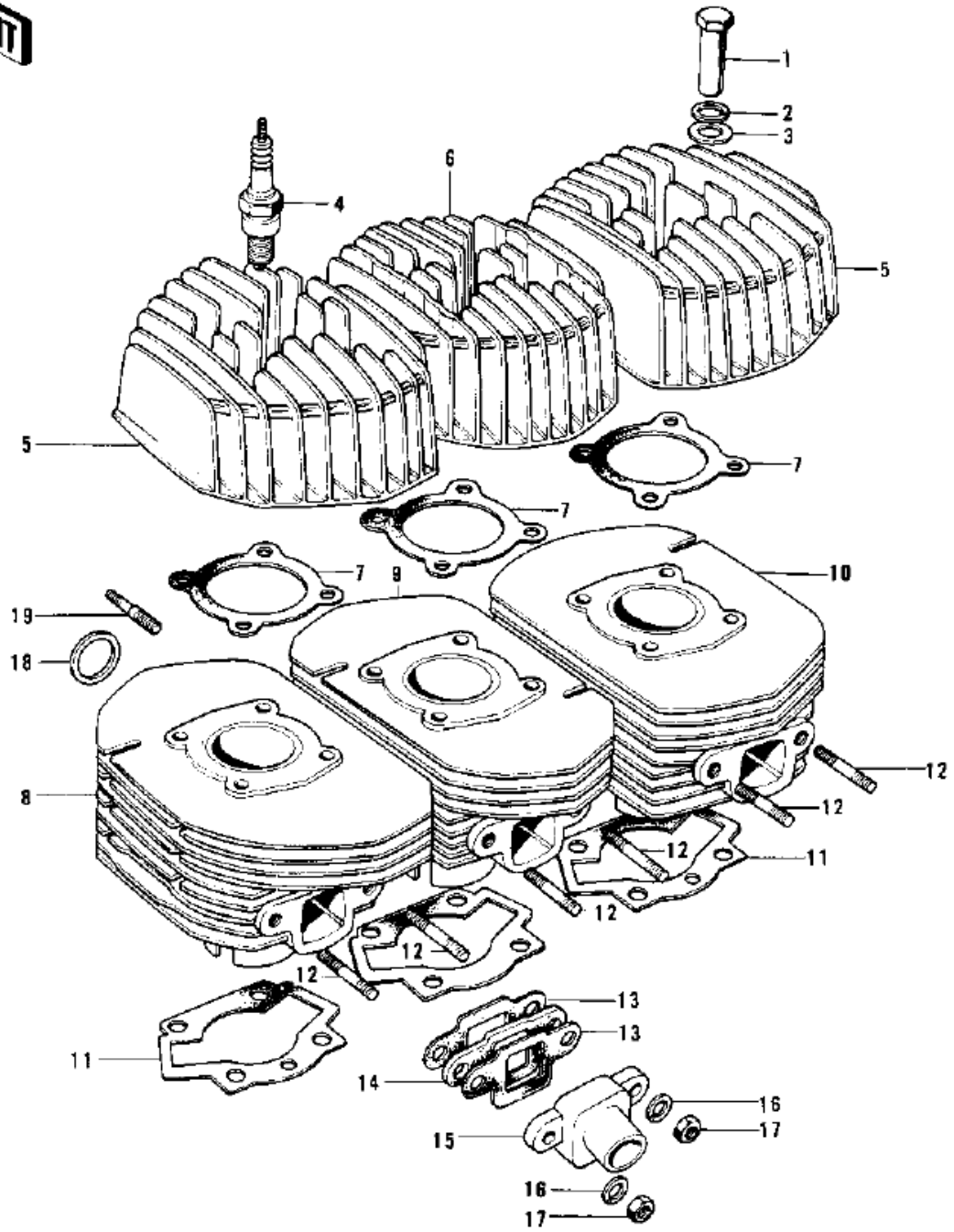


7- CRANKSHAFT / PISTONS

Ref n°	Part n°	Description	Qty	Spec Code
1	13008-041	RING SET,STD	3	
1	13025-044	RING SET,0.020" O.S	3	
1	13024-048	RING SET,0.040" O.S	3	
2	13001-031	PISTON STD	3	
2	13029-031	PISTON 0.020' O.S	3	
2	13027-031	PISTON 0.040' O.S	3	
3	13002-010	PIN-PISTON	3	
4	92036-004	CIRCLIP PISTON PIN	6	
5	92046-1038	BEARING-NEEDLE	3	
6	92050-051	OIL SEAL,TC255210	1	TC 255210
7	92036-013	CIRCLIP	1	
8	92038-001	WOODRUFF KEY	1	
9	601B6205	BEARING BALL #6205	3	
10	92012-001	SCREW CNTRSNK HD 5X10	12	
11	13045-010	OIL RECEIVER,CRANKSFT	3	
12	13031-049	CRANK&CONROD ASSY	1	
13	13044-034	CONNECTING ROD SET	3	
14	13034-010	NEEDLE BEARING BG END	3	
15	13035-017	CRANK PIN	3	
16	92026-024	WASHER SIDE	6	
17	610A0512	PIN DOWEL 5X12	2	
18	16084-010	PINION OIL PUMP	1	
19	92015-019	NUT 18MM	1	
20	92054-017	OIL SEAL,Y325222.5	1	Y325222.5
21	92026-066	SPACER	2	
22	463H0600	WASHER LOCK 6MM	1	
23	92045-020	BALL BEARING 6305N	2	
24	92024-021	WASHER LOCK	1	
25	92054-018	OIL SEAL,Y326219	1	Y326219
26	92001-060	BOLT OIL PUMP PINION	1	
27	601B6305	BEARING BALL #6305	2	
28	510A5200	WOODRUFF KEY	1	
29	92027-031	COLLAR CRANK OIL SEAL	1	
30	92055-018	"O" RING,22MM	1	
31	92050-052	OIL SEAL,TC326210	1	TC 326210
32	13121-013	PINION-PRIMARY	1	
33	92027-091	COLLAR	1	
34	92024-015	WASHER LOCK 18MM	1	

8- CYLINDER HEADS / CYLINDERS

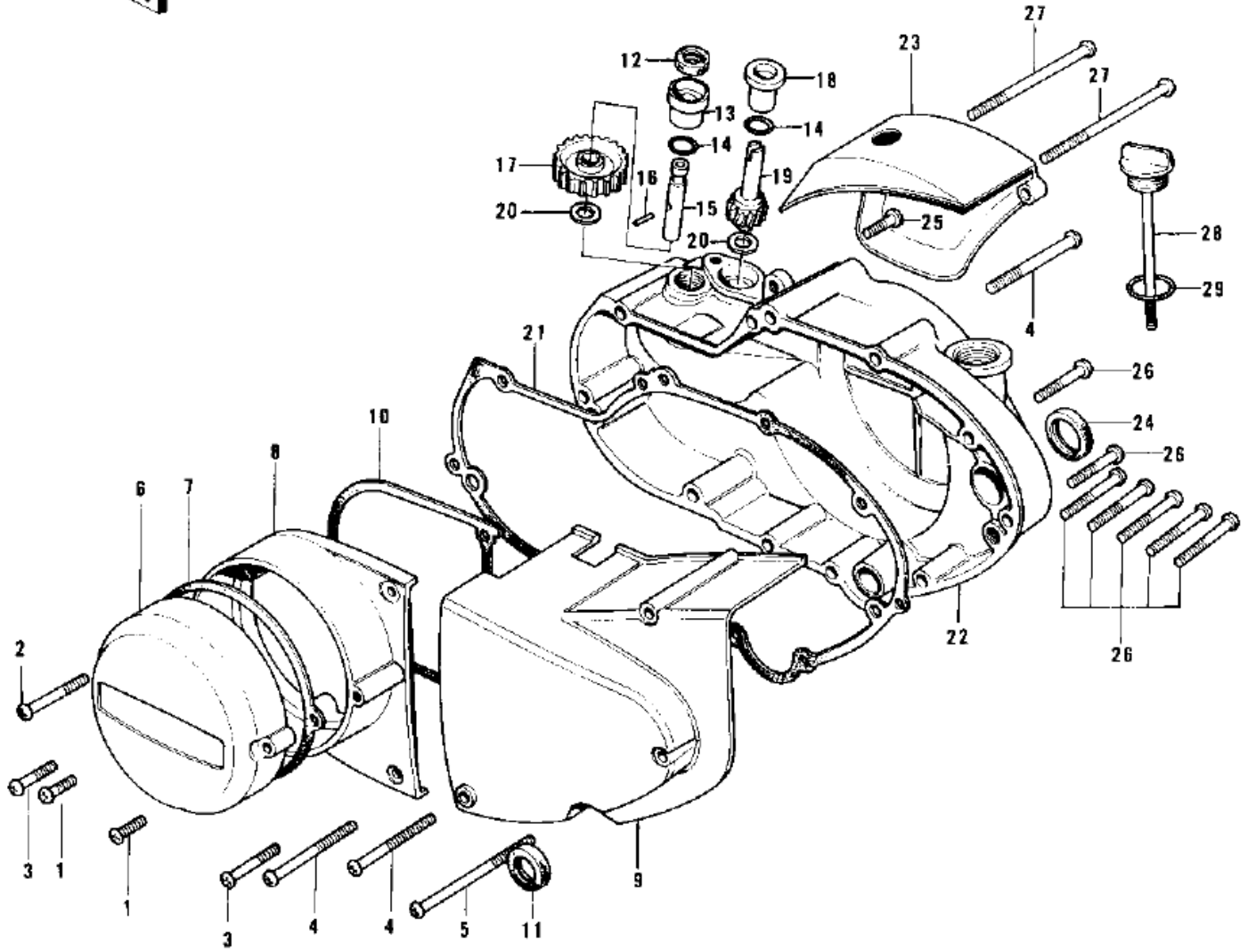
FRONT



8- CYLINDER HEADS / CYLINDERS

Ref n°	Part n°	Description	Qty	Spec Code
1	92015-020	NUT 8MM	12	
2	461F1200	WASHER SPRING 12MM	12	
3	92022-072	WASHER PLAIN 12MM	12	
4	B9HS1	SPARK PLUG B9HS1	3	
5	11001-064-80	CYLINDER HEAD,L.H&R.H	2	H1-D
5	11001-098-2H	CYLINDER HEAD,L.H&R.H	2	H1-E/F, KH500-A8
6	11001-065	CYLINDER HEAD,CENTER	1	H1-D
6	11001-099-2H	CYLINDER HEAD,CENTER	1	H1-E/F, KH500-A8
7	11004-048	GASKET-CYLINDER HEAD	3	
8	11005-050	CYLINDER	1	H1-D
8	11005-122-2H	CYLINDER,L.H,BARREL	1	H1-E/F, KH500-A8
9	11005-051	CYLINDER	1	H1-D
9	11005-123-2H	CYLINDER,CENTER,BAREL	1	H1-E/F, KH500-A8
10	11005-052	CYLINDER	1	H1-D
10	11005-124-2H	CYLINDER,R.H,BARREL	1	H1-E/F, KH500-A8
11	11009-019	GASKET CYLINDER BASE	3	
12	172G0820	STUD 8X20	6	
13	16062-011	GASKET AIR INLET	6	
14	16061-010	INSULATOR HEAT	3	
15	16060-009	INLET PIPE	3	
16	461F0800	WASHER SPRING 8MM	6	
17	311B0800	NUT,8MM	6	
18	18067-008	GASKET EXHAUST PIPE	3	H1-D
18	11009-1840	GASKET,EXHAUST PIPE H	3	H1-E/F, KH500-A8
19	92004-029	STUD	6	H1-D
19	92004-1008	STUD,8X25	6	H1-E/F, KH500-A8

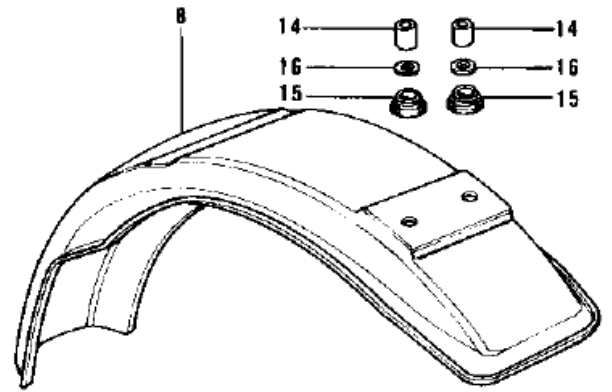
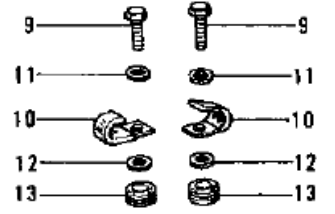
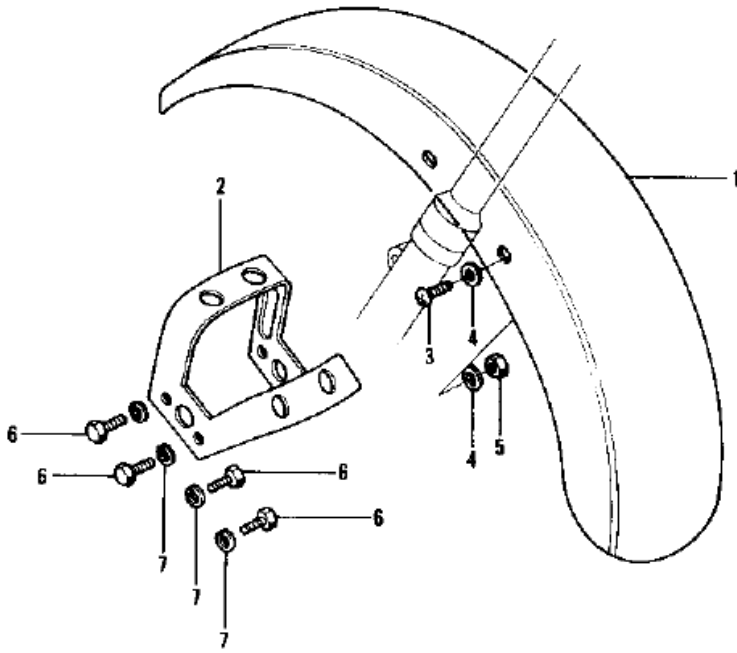
9- ENGINE COVERS



9- ENGINE COVERS

Ref n°	Part n°	Description	Qty	Spec Code
1	220B0620	SCREW PAN HEAD 6X20	2	
2	220B0645	SCREW PAN HEAD 6X45	1	
3	220B0635	SCREW PAN HEAD 6X35	2	
4	220B0655	SCREW PAN HEAD 6X55	3	
5	220B0685	SCREW PAN HEAD 6X85	1	
6	14027-016-80	CAP,BREAKER POINT,BUF	1	
7	14050-005	GASKET-POINT CAP	1	H1-D
7	14050-008	GASKET,POINT CAP	1	H1-E/F, KH500-A8
8	14031-049-80	COVER,L.H ENGINE,BUFF	1	H1-D
8	14031-060-80	COVER,L.H ENGINE,BUFF	1	H1-E/F, KH500-A8
9	14026-024-80	COVER,CHN CASE,BUFF	1	H1-D/E/F
9	14026-034-80	COVER.FRONT CHN,BUFF	1	KH500-A8
10	14045-022	GASKET,L.H ENG COVER	1	
11	92049-004	OIL SEAL SB12205	1	
12	92054-004	OIL SEAL	1	
13	92028-075	BUSH	1	
14	92055-025	"0" RING	2	
15	13226-004	SHAFT TACHOMETER GEAR	1	
16	92042-035	PIN,DOWEL	1	
17	13224-005	GEAR TACHOMETER	1	
18	92028-074	BUSH	1	
19	16085-011	GEAR OIL PUMP	1	
20	92026-026	WASHER THRUST	2	
21	14046-014	GASKET R.H ENGINE COV	1	
22	14032-1024-80	COVER,R.H.ENGINE	1	
23	14030-036-80	COVER,OIL PUMP,BUFF	1	
24	92049-002	OIL SEAL SB16244	1	
25	220B0625	SCREW PAN HEAD 6X25	1	
26	220B0630	SCREW PAN HEAD 6X30	7	
27	220B06100	SCREW PAN HEAD 6X100	2	
28	16115-017	PLUG-OIL FILLER	1	
29	670B2020	"0" RING,20MM	1	

10- FENDERS

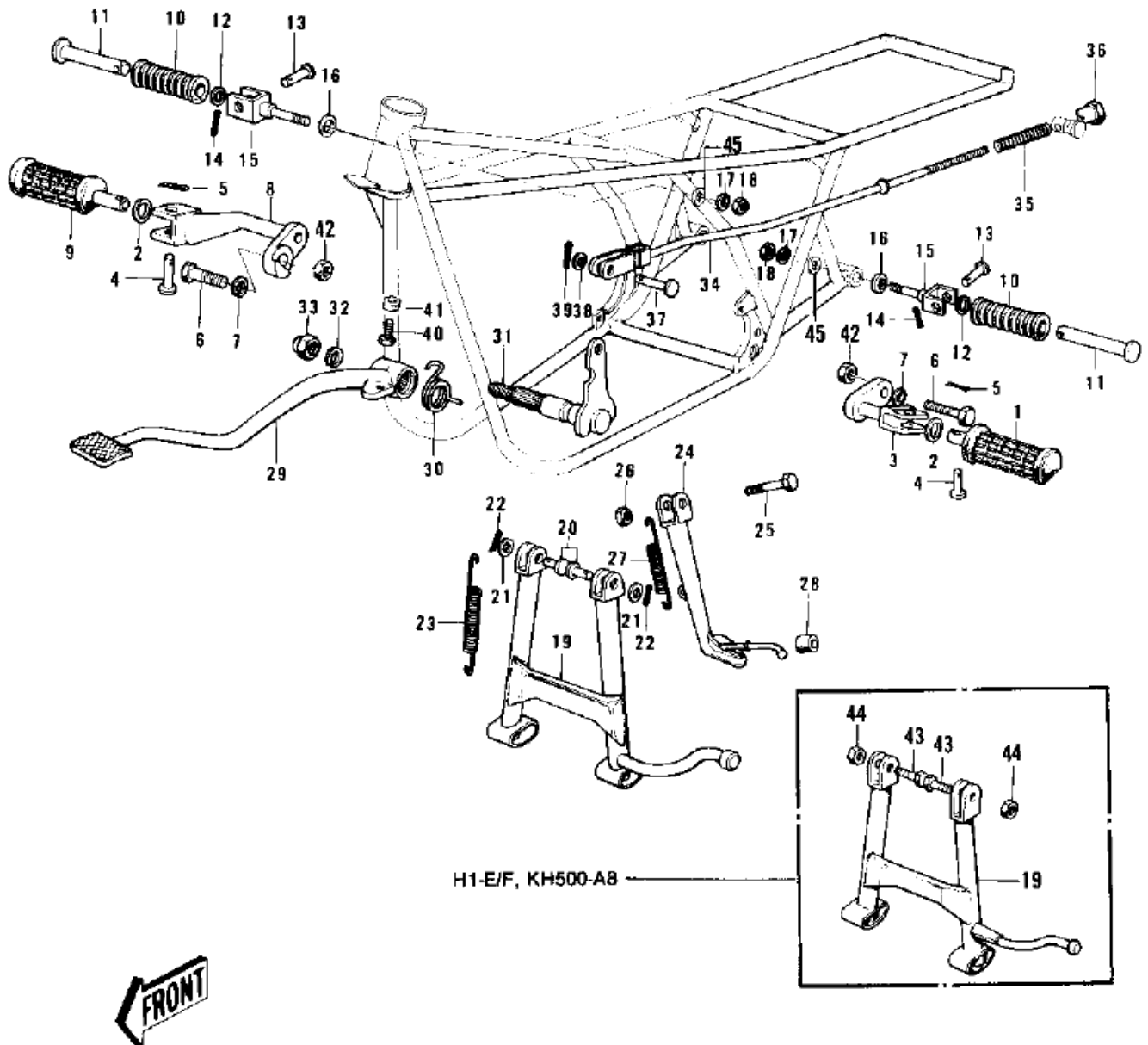


10

10- FENDERS

Ref n°	Part n°	Description	Qty	Spec Code
1	35004-076	FENDER-FR	1	H1-D
1	35004-085	FENDER-FR	1	H1-E/F,KH500-A8
2	35009-025	BRACE-FRONT FENDER	1	H1-D
2	35009-029	BRACE,FRONT FENDER	1	H1-E/F,KH500-A8
3	220E0614	SCREW PAN HEAD 6X14	4	
4	411B0600	WASHER PLAIN 6MM	8	
5	92019-008	NUT	4	
6	115G0816	BOLT-SMALL-UPSET,8X16	4	
7	461F0800	WASHER SPRING 8MM	4	
8	35022-076	FENDER-RR	1	
9	110N0632	BOLT-HEX HEAD,6X32	2	
10	92037-113	CLAMP.HARNESS	2	H1-E/F,KH500-A8
11	411B0600	WASHER PLAIN 6MM	2	H1-E/F,KH500-A8
12	92022-228	WASHER,PLAIN,7MM	2	
13	92075-121	DAMPER RUBBER,RR FEND	2	
14	92027-162	COLLAR,REAR FENDER	2	
15	92075-133	DAMPER RUBBER,RR FEND	2	
16	92022-227	WASHER,PLAIN,7MM	2	
17	461F0600	WASHER SPRING 6MM	2	
18	311B0600	NUT 6MM	2	

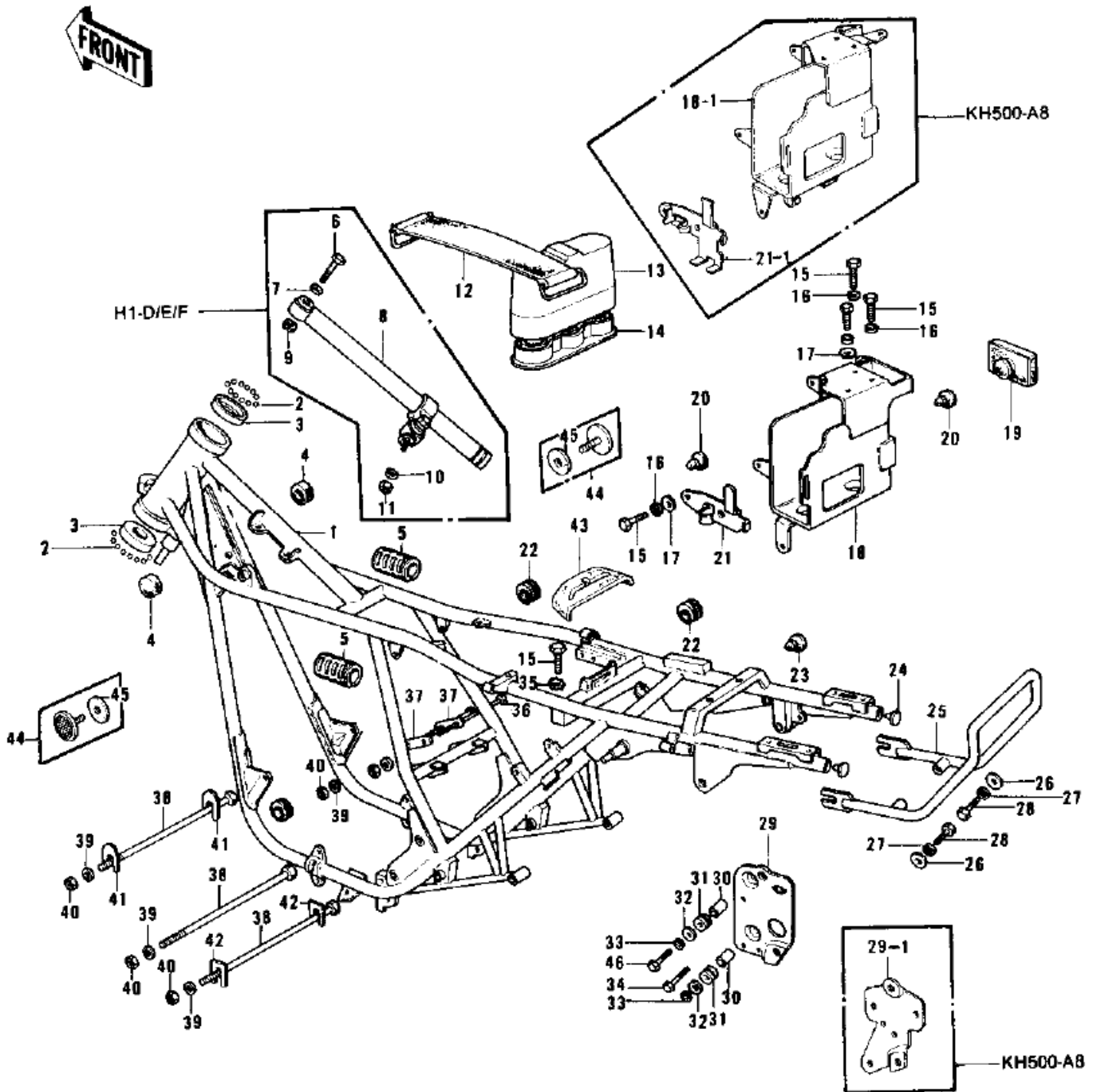
11- FOOTRESTS / STANDS / BRAKE PEDAL



11- FOOTRESTS / STANDS / BRAKE PEDAL

Ref n°	Part n°	Description	Qty	Spec Code
1	34028-011	BAR-FOOTREST,L.H	1	
2	92022-204	WASHER PL 22.5X36X2.3	2	
3	34003-038	BRACKET,FOTRST BAR,LH	1	
4	92043-080	PIN-FOOTREST BAR FIT	2	
5	550D2515	PIN,COTTER,2.5X15	2	
6	113G1240	BOLT HEX HEAD 12X40	2	H1-D
6	92003-165	BOLT.HEX HEAD,12X56	2	H1-E/F,KH500-A8
7	461F1200	WASHER SPRING 12MM	2	
8	34003-039	BRACKET,FOTRST BAR,RH	1	
9	34028-012	BAR-FOOTREST,R.H	1	
10	92076-024	RUBBER,REAR FOOTREST	2	
11	34028-009	BAR-RR FOOTREST (OPT)	2	
12	92022-199	WASHER-PLAIN (OPT)	2	
13	92043-1464	PIN	2	
14	550D2015	PIN COTTER 2.0X15	2	H1-D
14	550D2012	PIN,COTTER,2.0X12	2	H1-E/F,KH500-A8
15	34029-008	HOLDER-STEP RR	2	H1-D
15	34029-011	BRACKET,REAR FOOTREST	2	H1-E/F,KH500-A8
16	92026-074	SPACER	2	H1-D
16	92022-099	WASHER CYL HEAD BOLT	2	H1-E/F,KH500-A8
17	461F1000	WASHER SPRING 10MM	2	
18	314B1000	NUT,10MM	2	
19	34011-034	STAND-MAIN	1	H1-E/F,KH500-A8
20	92043-041	PIN JOINT	2	H1-D
21	410B1200	WASHER PLAIN 12MM	2	H1-D
22	550D2525	PIN COTTER 2.5X25	2	H1-D
23	34023-010	SPRING-MAIN STAND	1	H1-D
23	34023-016	SPRING,MAIN STAND	1	H1-E/F,KH500-A8
24	34024-039	STAND-SIDE	1	
25	92003-079	BOLT-SIDE STAND	1	
26	314B1000	NUT,10MM	1	
27	34023-005	SPRING MAIN STAND	1	
28	92075-031	DAMPER RUBB SIDE STND	1	
29	43001-047	PEDAL,BRAKE	1	
30	43005-022	SPRING,BRAKE PEDAL	1	
31	43004-011	SHAFT,BRAKE PEDAL	1	
32	411B0800	WASHER PLAIN 8MM	1	
33	92019-013	NUT,CAP AND LOCK,8MM	1	
34	43011-016	ROD,BRAKE	1	
35	43012-001	SPRING,BRAKE ROD	1	
36	92015-042	NUT-BRAKE ROD ADJUST	1	
37	92043-064	PIN-BRAKE ROD FITTING	1	
38	410B0600	WASHER PLAIN 6MM	1	
39	550D2015	PIN COTTER 2.0X15	1	
40	112G0620	BOLT-UPSET,6X20	1	
41	311B0600	NUT 6MM	1	
42	314G1200A	NUT,12MM	2	H1-E/F,KH500-A8
43	92003-150	BOLT.HEX HEAD,12X32	2	H1-E/F,KH500-A8
44	92019-009	NUT-LOCK,12MM	2	H1-E/F,KH500-A8
45	410B1000	WASHER PLAIN 10MM	2	H1-E/F,KH500-A8

12- FRAME / FRAME FITTINGS



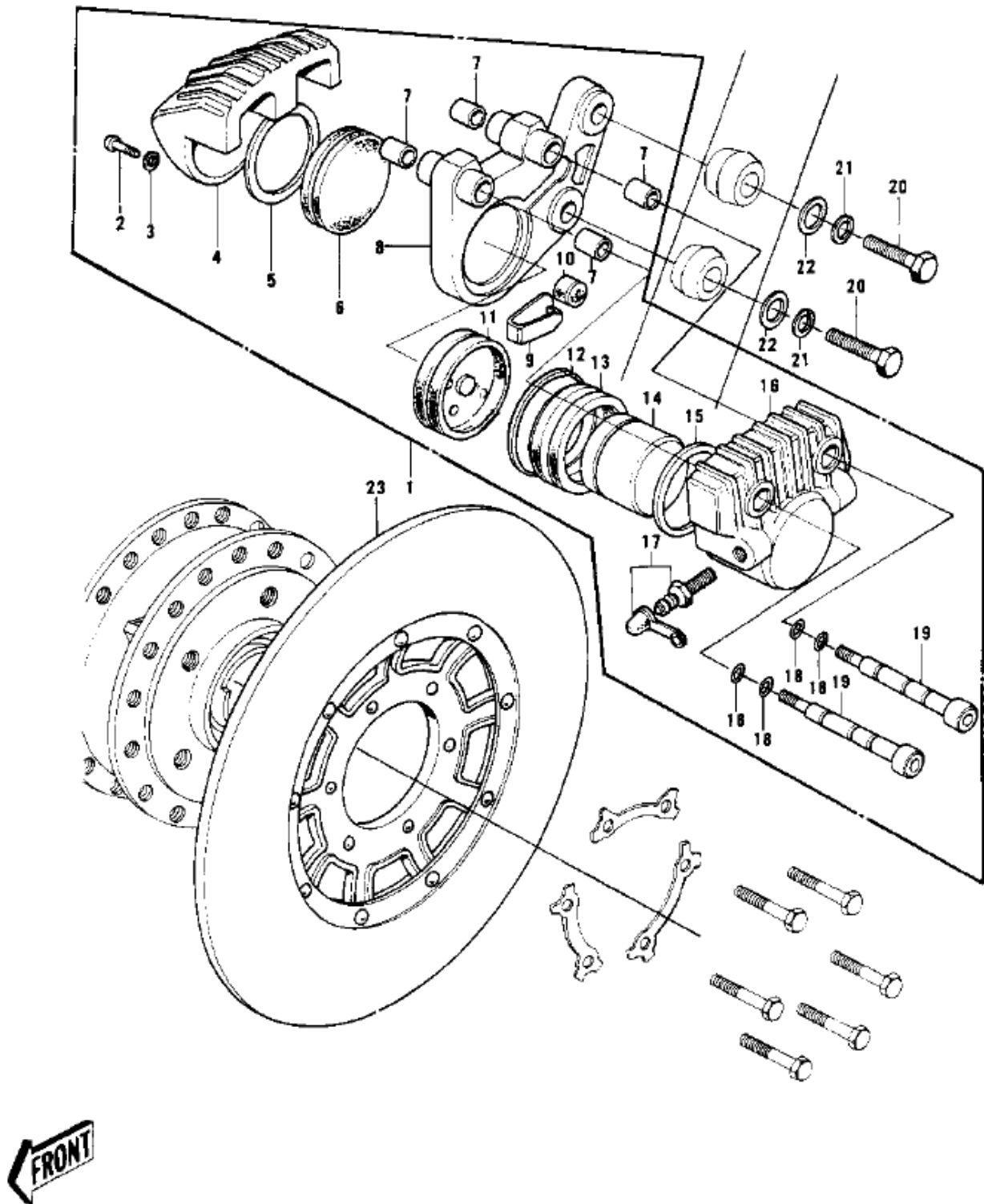
12- FRAME / FRAME FITTINGS (1/2)

Ref n°	Part n°	Description	Qty	Spec Code
1	32002-062	FRAME	1	H1-D
1	32002-085	FRAME	1	H1-E
1	32002-114	FRAME	1	H1-F
1	32002-127	FRAME	1	H1-D/E/F
1	32002-131	FRAME ASSY	1	KH500-A8
2	600A0800	BALL STEEL 1/4'	38	
3	92048-006	RACE STRNG STEM BERNG	2	
4	92075-101	DAMPER RUBBER-FL TANK	2	
5	92075-084	DAMPER RUBBER	2	H1-D/E/F
6	110B0860	BOLT HEX HEAD 8X60	1	H1-D/E/F
7	411B0800	WASHER PLAIN 8MM	1	H1-D/E/F
8	46117-006	OIL DAMPER-STEERING	1	H1-D/E/F
9	92015-1124	NUT,LOCK,8MM	1	H1-D/E/F
10	461F0800	WASHER SPRING 8MM	1	H1-D/E/F
11	311B0800	NUT,8MM	1	H1-D/E/F
12	32100-015	BAND,SPARK PLUG COVER	1	
13	32132-003	COVER-SPARK PLUG	1	
14	32132-002	HOLDER-SPARK PLUG COV	1	
15	112G0616	BOLT-UPSET,6X16	5	H1-D/E/F
15	112G0612	BOLT-UPSET,6X12	5	KH500-A8
16	461F0600	WASHER SPRING 6MM	5	
17	411B0600	WASHER PLAIN 6MM	5	
18	32097-026	CASE,BATTERY	1	H1-D
18	32097-033	CASE,BATTERY	1	H1-E/F
18-1	32097-038	CASE,BATTERY	1	KH500-A8
19	92075-163	DAMPER RUBBER,BATERY	1	
20	92075-078	DAMPER RUBBER	4	
21	32100-016	BAND,BATTERY	1	H1-D/E/F
21-1	32100-018	BAND,BATERY CASE	1	KH500-A8
22	92071-056	GROMMET	4	
23	92071-081	GROMMET	1	H1-E/F
24	32112-006	PLUG	2	
25	35032-023	STAY,REAR FENDER	1	
26	411B0800	WASHER PLAIN 8MM	2	
27	461F0800	WASHER SPRING 8MM	2	
28	115G0820	BOLT,8X20	2	
29	26002-036	WIRING HARNESS&BKT	1	H1-D
29	26002-044	BKT&HARNESS,WIRING	1	H1-E/F
29-1	32129-007	BKT,ELECT BASE	1	KH500-A8
30	92027-156	COLLAR 6.8X10X14.5	2	
31	92075-167	DAMPER RUBBER	2	
32	92022-125	WASHER 6.5X20X1.6T	2	
33	461F0600	WASHER SPRING 6MM	2	
34	112G0630	BOLT-UPSET	1	
35	464H0600	WASHER LOCK 6MM	1	
36	92001-1248	BOLT,HEX HEAD,10X125	2	
37	32030-016	PLATE REAR ENG HOLDER	2	
38	92091-024	BOLT-ENG MOUNT,10X274	5	
39	410B1000	WASHER PLAIN 10MM	5	

12- FRAME / FRAME FITTINGS (2/2)

Ref n°	Part n°	Description	Qty	Spec Code
40	92015-1429	NUT,10MM	5	
41	92025-048	SHIM-ENG FIT RR,0.5MM	5	
41	92025-049	SHIM-ENG FIT RR,0.8MM	AR	
41	92025-050	SHIM-ENG FIT RR,1.0MM	AR	
41	92025-051	SHIM-ENG FIT RR,1.6MM	AR	
41	92025-052	SHIM-ENG FIT RR,2.0MM	AR	
42	92025-053	SHIM-ENG FIT FR,0.5MM	5	
42	92025-054	SHIM-ENG FIT FR,0.8MM	AR	
42	92025-055	SHIM-ENG FIT FR,1.0MM	AR	
42	92025-056	SHIM-ENG FIT FR,1.6MM	AR	
42	92025-057	SHIM-ENG FIT FR,2.0MM	AR	
42	92025-058	SHIM-ENG FIT FR,2.3MM	AR	
43	92075-278	DAMPER RUBBER,FUEL TK	1	KH500-A8
44	28001-026	REFLECTOR,REFLEX	2	KH500-A8
45	92094-011	DAMPER RUBBER,REFLECT	2	KH500-A8
46	112G0630	BOLT-UPSET	1	H1-D/E/F
46	112G0625	BOLT-UPSET	1	KH500-A8

13- FRONT BRAKE



(H1-D/

13- FRONT BRAKE

Ref n°	Part n°	Description	Qty	Spec Code
1	43041-001	CALIPER ASSY	1	
2	220B0612	SCREW PAN HEAD 6X12	1	
3	461F0600	WASHER SPRING 6MM	1	
4	43043-001	CALIPER B	1	
5	43071-001	RING-PAD B	1	
6	43051-001	PAD B	1	
7	43052-001	DUST SEAL-SHAFT	4	
8	43044-001	HOLDER-CALIPER	1	
9	43046-001	STOPPER-PAD A	1	
10	43047-001	BUSHING-RUBBER	1	
11	43082-001	PAD A	1	
12	43058-001	BAND-DUST SEAL	1	
13	43054-001	DUST SEAL-PISTON	1	
14	43048-001	PISTON-CALIPER	1	
15	43049-001	RING-PISTON	1	
16	43042-001	CALIPER A	1	
17	43085-001	BLEEDER SET	1	
18	43053-001	"O" RING,SHAFT	4	
19	43045-001	SHAFT	2	
20	43070-001	BOLT-HEX HEAD,10X43	2	
21	461F1000	WASHER SPRING 10MM	2	
22	411B1000	WASHER PLAIN 10MM	2	
23	41080-001	DISC PLATE-FRONT BRK	1	
23	43073-002	REPAIR SET-CALIPER	1	

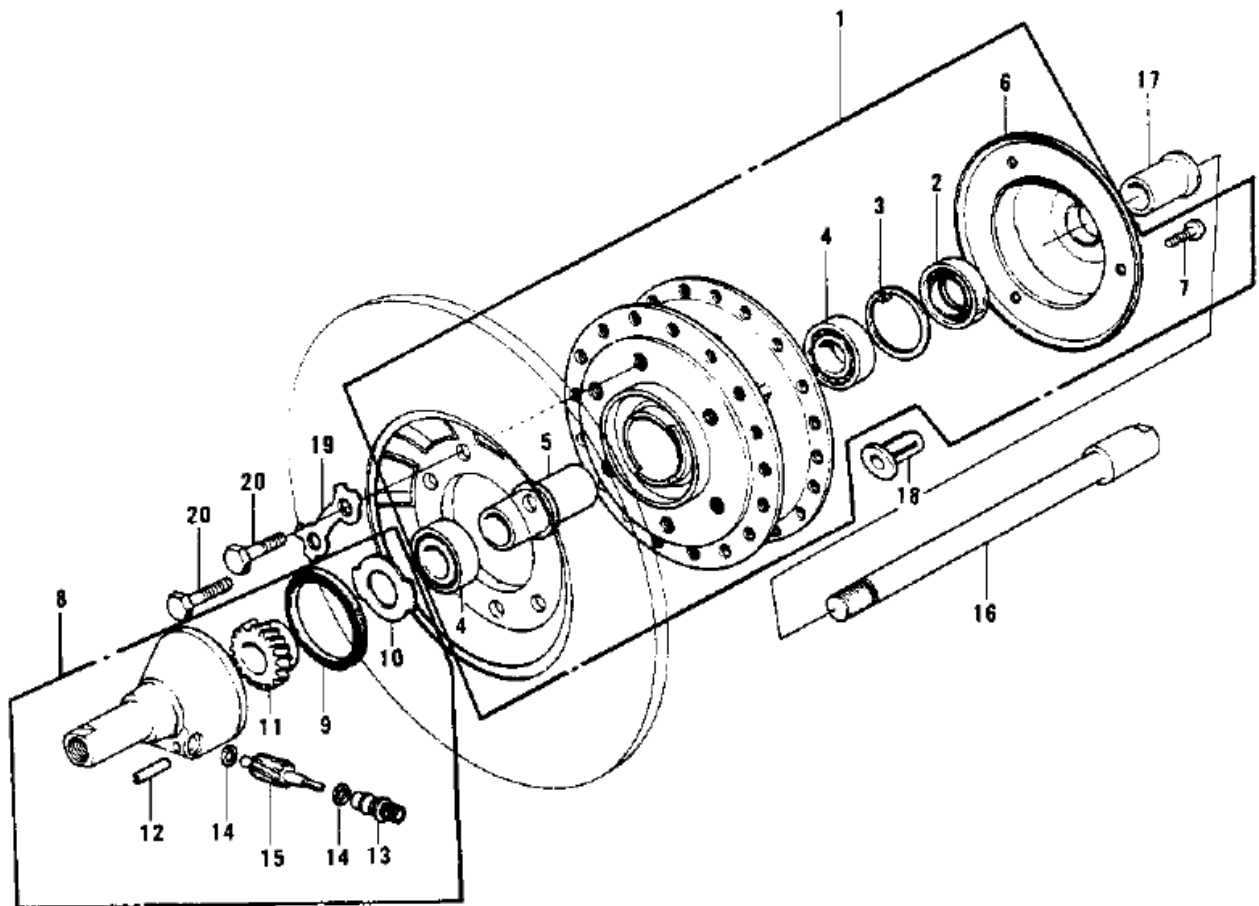
14- FRONT FORK (1/2)

Ref n°	Part n°	Description	Qty	Spec Code
1	44001-131	FORK-FRONT	1	H1-D
1	44001-131	FORK-FRONT	1	H1-E/F
1	44001-176	FORK-FRONT	1	KH500-A8
2	44062-003	BOLT-FORK TOP	2	
3	44046-015	'O' RING FORK TOP	2	
4	44039-048	HEAD,STEERING STEM	1	
5	461F0800	WASHER SPRING 8MM	6	H1-D/E/F
5	461F0800	WASHER SPRING 8MM	7	KH500-A8
6	44041-049	BOLT,HEX HEAD,6MM	2	
7	44041-042	BOLT-STEERING STEM HD	1	
8	92015-1124	NUT,LOCK,8MM	1	H1-D/E/F
8	92017-013	NUT,LOCK,8MM	1	KH500-A8
9	44045-041	GASKET,FORK COVER	2	
10	44043-048	WASHER,FORK COVER	2	
11	44033-069	COVER-L.H.FORK	1	H1-D
11	44033-069	COVER-L.H.FORK	1	H1-E/F
11	44033-068	COVER,L.H.FORK	1	KH500-A8
12	44034-069	COVER,R.H.FORK	1	H1-D
12	44034-069	COVER,R.H.FORK	1	H1-E/F
12	44034-068	COVER,R.H.FORK	1	KH500-A8
13	44032-008	WASHER-FORK COVER	2	
14	44045-040	GASKET,FORK COVER	2	H1-D
14	44045-038	GASKET,FORK COVER	2	H1-E/F,KH500-A8
15	44064-014	GUIDE,L.H.FORK COVER	1	H1-D/E/F
15	44064-025	GUIDE,FORK COVER	1	KH500-A8
15-1	44064-013	GUIDE,R.H.FORK COVER	1	H1-D/E/F
15-1	44064-025	GUIDE,FORK COVER	1	KH500-A8
16	44037-053	STEM,STEERING	1	H1-D/E/F
16	44037-096	STEM,STEERING	1	KH500-A8
17	461F1200	WASHER SPRING 12MM	2	
18	92003-064	BOLT-HEX HEAD,12X36	2	
19	44028-023	SPACER-FORK SPRING	2	
20	44029-019	GUIDE-FORK SPRING	2	
21	44026-031	SPRING-FORK	2	
22	44013-032	TUBE-FORK INNER	2	
23	44022-007	CYLINDER-FORK	2	H1-D
23	44023-006	CYLINDER-FORK	2	INCLUDES REF. #S 24 &
23	44022-027	CYLINDER-FORK	2	H1-E/F
23	44022-038	CYLINDER-FORK	2	KH500-A8
24	44018-003	PISTON FORK	2	H1-D USE FOR 44022-00
24	44018-009	PISTON,FORK	2	H1-E/F,KH500-A8
25	44044-008	CIRCLIP FORK PISTON	2	H1-D USE FOR 44022-00
25	44044-019	CIRCLIP,FORK PISTON	2	H1-E/F,KH500-A8
26	44010-021	DUST SHIELD-FORK	2	H1-D/E/F
26	44010-032	DUST SHEILD,FORK	2	KH500-A8
27	44044-012	CIRCLIP-OIL SEAL FIT	2	
29	92049-1216	SEAL-OIL,FORK OUTER P	2	H1-D/E/F
29	92049-1216	SEAL-OIL,FORK OUTER P	2	KH500-A8

14- FRONT FORK (2/2)

Ref n°	Part n°	Description	Qty	Spec Code
30	44005-041	TUBE,LH,FORK OUTER	1	H1-D/E/F
30	44005-065	TUBE,LH,FORK OUTER	1	KH500-A8
31	44006-039	TUBE,RH,FORK OUTER	1	H1-D/E/F
31	44006-063	TUBE,RH,FORK OUTER	1	KH500-A8
32	44045-002	GASKET FORK DRAIN PLG	2	
33	220B0408	SCREW PAN HEAD 4X8	2	
34	44045-057	GASKET,FORK CYLINDER	2	
35	44041-040	BOLT-FORK CYLINDER	2	
36	92004-1009	STUD.8X35	4	
37	44063-003	HOLDER-FRONT AXLE	2	H1-D/E/F
37	44063-014	HOLDER,FRONT AXLE	2	KH500-A8
38	92007-031	BOLT,STEERG STEM HEAD	1	
39	92022-230	WASHER,STEERG STM HD	1	
40	46100-003	WASHER,WAVE	1	
41	92090-007	NUT STEERING STEM LCK	1	
42	46098-016	CAP, STEERING STEM	1	
43	92047-006	CONE STRNG STEM BERNG	2	
44	92008-007	SCREW-TAPPING	1	
45	92097-003	WASHER	1	
46	27031-002	CAP,STEERING LOCK	1	H1-D
46	27031-004	CAP,STEERING LOCK	1	H1-E/F,KH500-A8
47	27016-030	LOCK ASSY-STEERING	1	H1-D
47	27016-038	LOCK ASSY,STEERING	1	H1-E/F,KH500-A8
48	27018-016-65	KEY SET,#265	AR	H1-D
48	27018-016-79	KEY SET,#279	AR	H1-D
48	27008-055-11	KEY SET,#911	AR	H1-E/F,KH500-A8
48	27008-055-25	KEY SET,#925	AR	H1-E/F,KH500-A8
49	27032-001	SPRING-STEERING LOCK	1	
50	311B0800	NUT,8MM	4	H1-D/E/F
50	92017-013	NUT,LOCK,8MM	4	KH500-A8
51	410B0800	WASHER PLAIN 8MM	2	H1-D/E/F
52	28016-002	DAMPER RUBBER-REFLEX	2	H1-D/E/F
53	28001-029	REFLECTOR,REFLEX,FRNT	2	H1-D/E/F

15- FRONT HUB

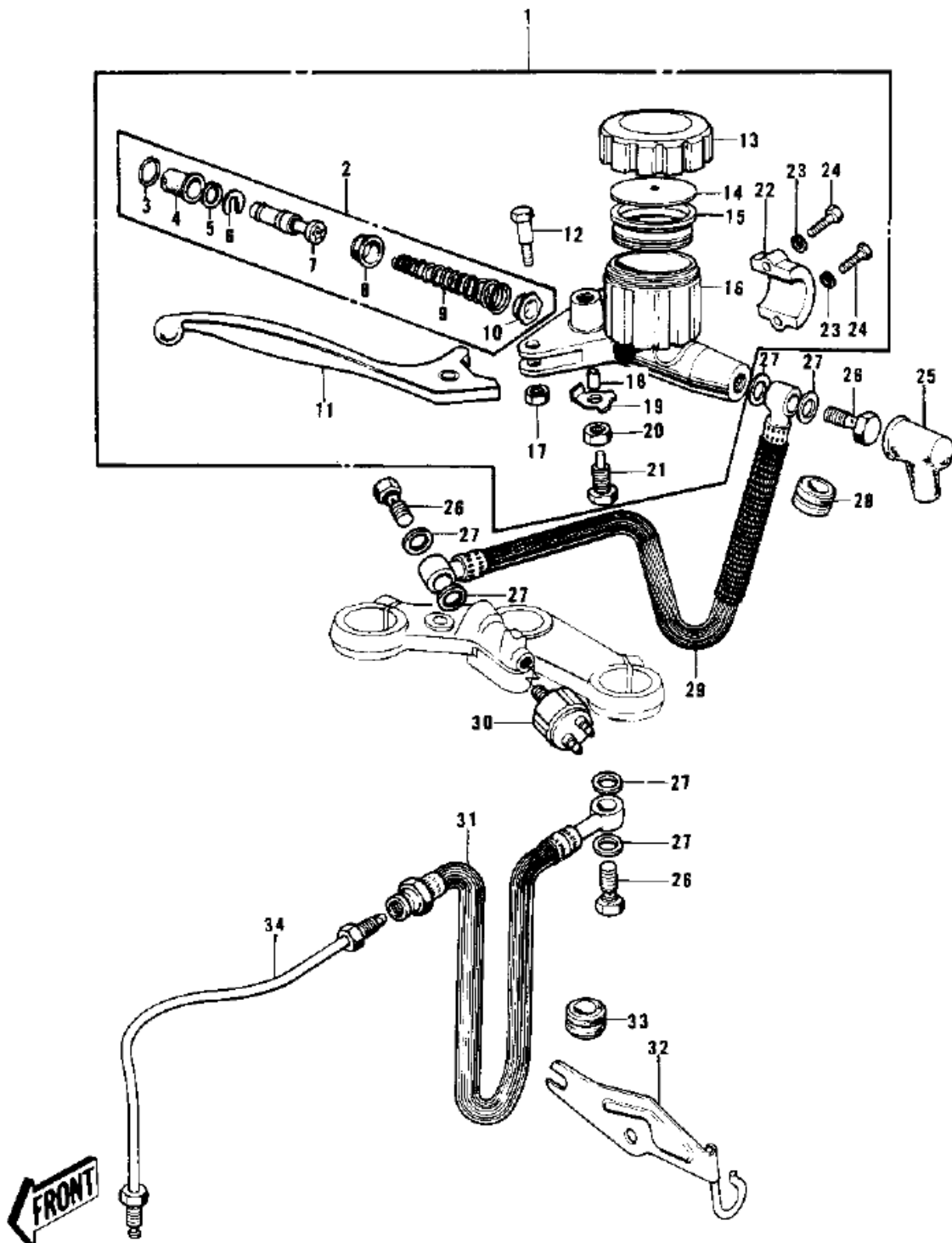


(H1-D/E)

15- FRONT HUB

Ref n°	Part n°	Description	Qty	Spec Code
1	41034-021-21	DRUM-ASSY,FR BRK,BLK	1	
2	92052-003	OIL SEAL-COUPLING	1	
3	92033-1040	RING, SNAP,43.5MM	1	
4	601B6203	BEARING BALL #6203	2	
5	41039-019	COLLAR-FRONT DRUM	1	
6	41042-009	COVER-BRAKE DRUM DUST	1	
7	222E0512A	SCREW OVL CNTSNK 5X12	3	
8	41078-001	CASE ASSY-SPEED GEAR	1	
9	92050-046	OIL SEAL,VC54656	1	
10	41064-007	RECEIVER-SPEEDO GEAR	1	
11	41059-016	GEAR-SPEEDOMETER	1	
12	41082-001	PIN,SPRING	1	
13	41062-001	BUSH SPEEDMETER CABLE	1	
14	41063-001	WASHER THRST SPD PINI	2	
15	41060-012	PINION-SPEEDOMETER	1	
16	41068-036	AXLE-FRONT HUB	1	
17	41069-018	COLLAR-FRONT AXLE	1	
18	92102-006	CAP-FRONT DRUM HOLE	6	
19	92088-014	WASHER-LOCK,8MM	3	
20	92001-104	BOLT-HEX HEAD,8X28	6	

16- FRONT MASTER CYLINDER



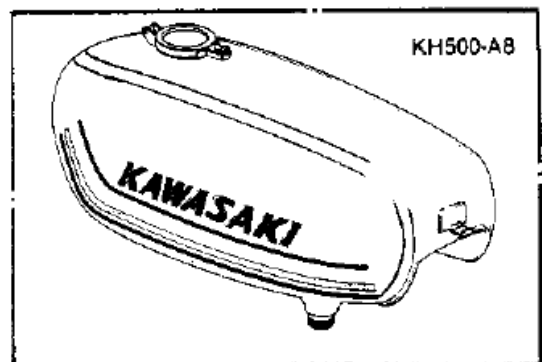
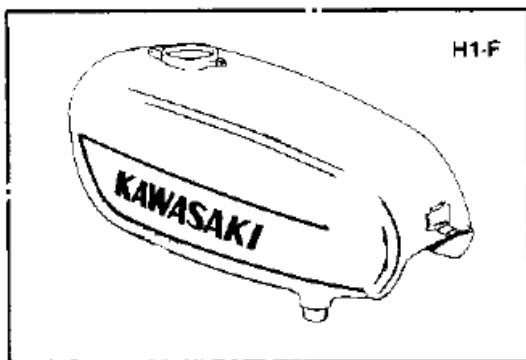
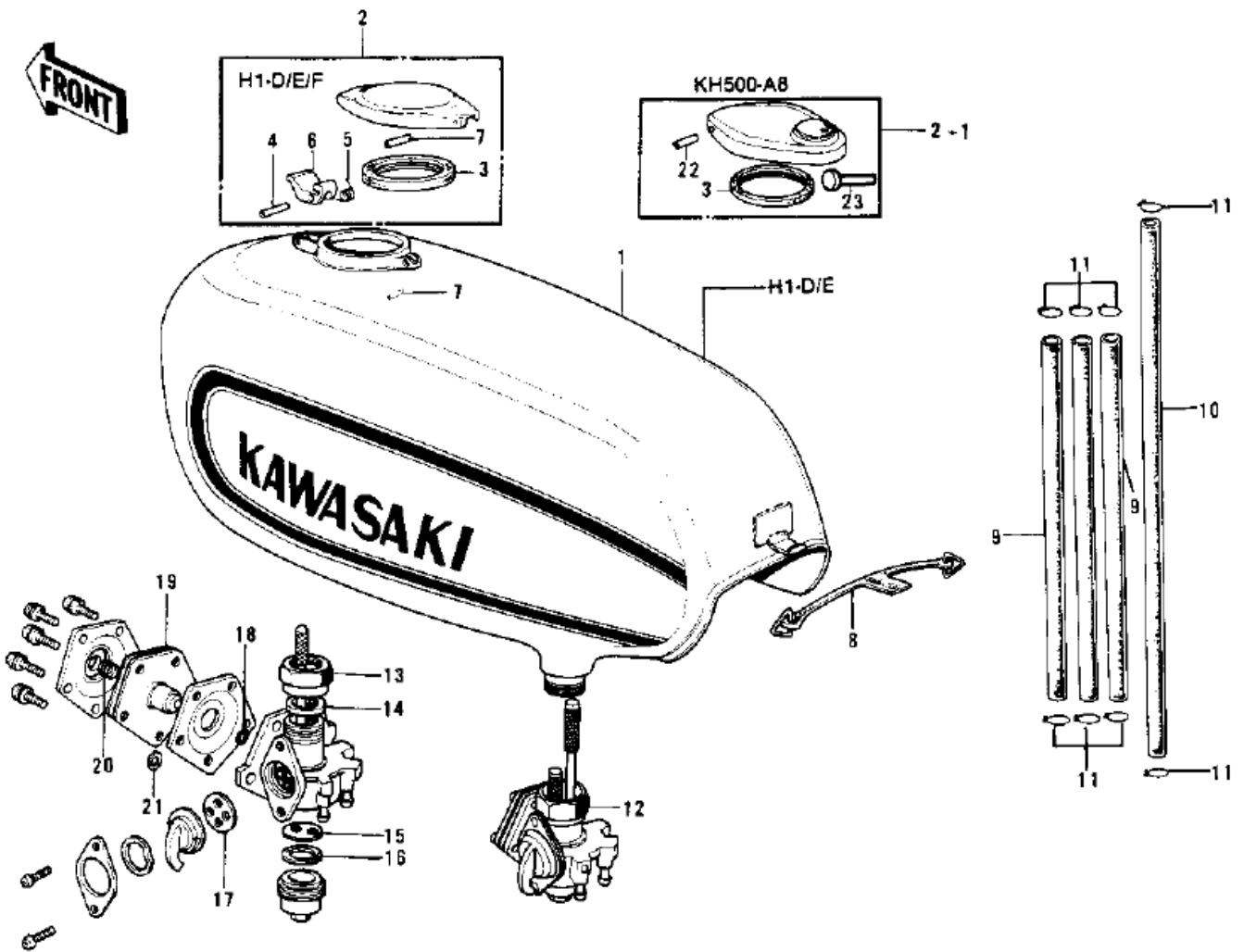
10

(H1-D/

16- FRONT MASTER CYLINDER

Ref n°	Part n°	Description	Qty	Spec Code
1	43015-032	CYLINDER ASSY,MASTER	1	H1-D
1	43015-032	CYLINDER ASSY,MASTER	1	H1-E/F
1	43015-032	CYLINDER ASSY,MASTER	1	
2	43073-001	REPAIR SET-MASTER CYL	1	
3	43025-001	STOPPER-BOOTS	1	
4	43024-001	BOOTS	1	
5	481J1800	CIRCLIP,18MM	1	
6	43022-001	STOPPER-PISTON	1	
7	43072-001	PISTON ASSY	1	
8	43019-001	CUP-PRIMARY	1	
9	43018-001	SPRING ASSY-RETURN	1	
10	43017-001	VALVE ASSY-CHECK	1	
11	43029-003	LEVER.FRONT BRAKE	1	
12	43033-001	BOLT-LEVER FITTING	1	
13	43026-003	CAP.OIL CUP	1	
14	43027-001	PLATE-MASTER CYLINDER	1	
15	43028-001	DIAPHRAGM	1	
16	43016-002	BODY, MASTER CYLINDER	1	
17	312N0600	NUT,6MM	1	
18	43074-001	TUBE	1	
19	43031-001	WASHER-LOCK,8MM	1	
20	314N0800	NUT,8MM	1	
21	43030-002	BOLT-LEVER ADJUST	1	
22	43034-001	HOLDER-MASTER CYL	1	
23	411B0600	WASHER PLAIN 6MM	2	
24	110N0625	BOLT HEX HEAD 6X25	2	
25	49006-1041	BOOT,DUST	1	
26	92002-1888	BOLT.OIL.L=23	3	
27	43067-001	WASHER-OIL BOLT	6	
28	43064-005	DAMPER RUBBER	1	
29	43059-009	HOSE,CYLINDER BRAKE	1	
30	43065-001	SWITCH-FRONT BRAKE	1	
31	43059-1262	HOSE-BRAKE,L=350	1	
32	43063-001	BRACKET-BRAKE HOSE	1	
33	43064-001	GROMMET-HOSE BRACKET	1	
34	43060-001	PIPE-FRONT BRAKE	1	

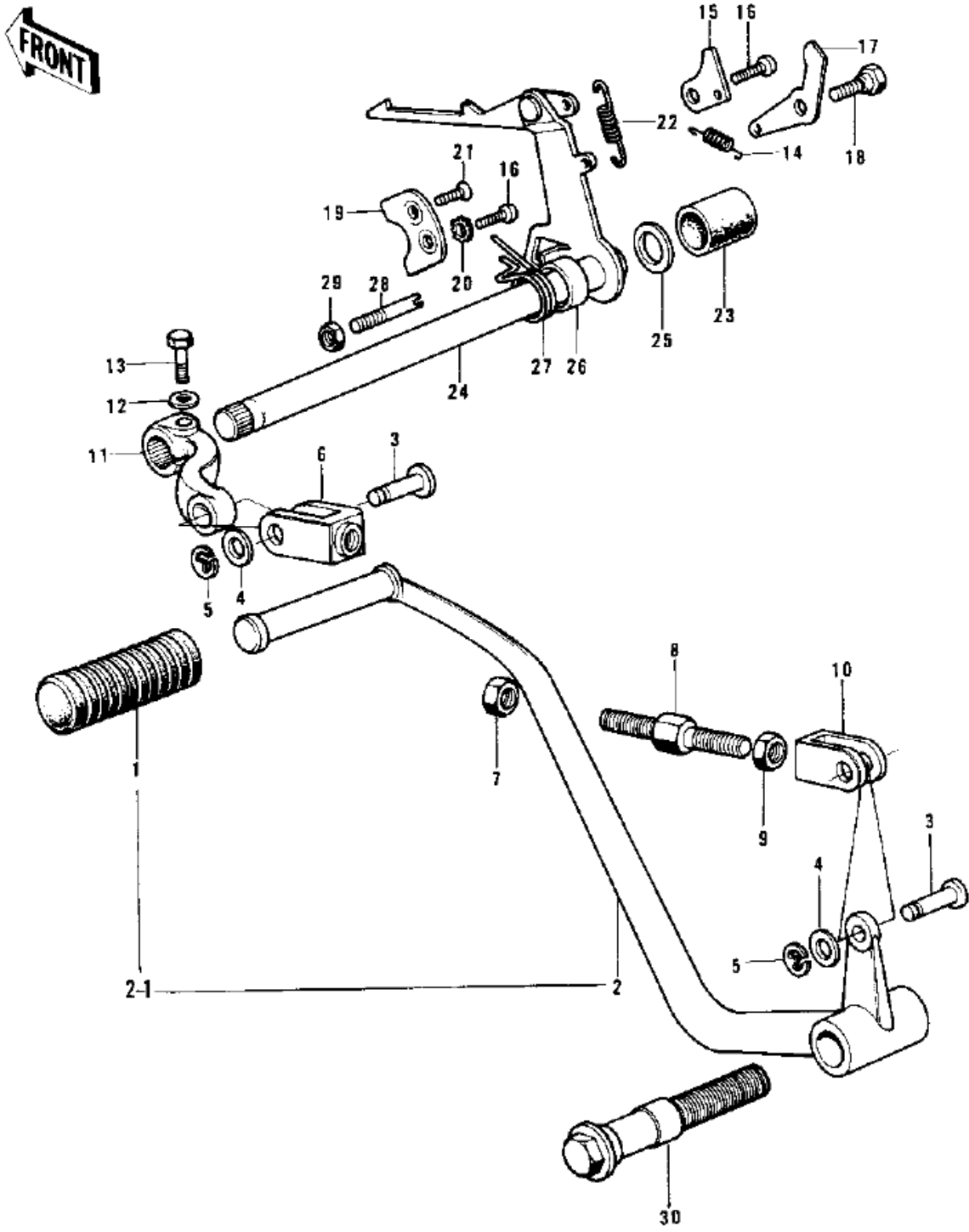
17- FUEL TANK



17- FUEL TANK

Ref n°	Part n°	Description	Qty	Spec Code
1	51001-082-77	TANK-FUEL,C.LIME	1	H1-D
1	51001-082-1X	TANK-FUEL,C.RED	1	H1-E
1	51001-082-1Y	TANK-FUEL,C.LIME	1	H1-E
1	51001-082-2W	TANK-FUEL,C.BLUE	1	H1-F
1	51001-082-2X	TANK-FUEL,C.GOLD	1	H1-F
1	51001-108-3T	TANK-FUEL,D.BURGUNDY	1	KH500-A8
1	51001-108-3U	TANK-FUEL,COPPER	1	KH500-A8
2	51048-007	CAP ASSY,FUEL TANK	1	H1-D/E/F
2-1	51048-012	CAP,FUEL TANK	1	KH500-A8
3	51059-008	GASKET-FUEL TANK CAP	1	
4	92043-091	PIN,TANK CAP	1	H1-D/E/F
5	51053-003	SPRING-HOOK	1	H1-D/E/F
6	51063-002	HOOK,FUEL TANK CAP	1	H1-D/E/F
7	92043-096	PIN,TANK CAP FIT	2	H1-D/E/F
8	92072-050	BAND-FUEL TANK	1	
9	51047-001	PIPE FUEL TANK CONECT	3	H1-D
9	92059-1691	TUBE,4.5X9X380	3	H1-E/F,KH500-A8
10	92059-008	PIPE OIL TANK	1	H1-D
10	92059-073	PIPE-FUEL	1	H1-E/F,KH500-A8
11	92037-010	CLAMP FUEL PIPE	8	
12	51023-040	COCK ASSY,FUEL	1	
13	51035-005	NUT FUEL COCK JOINT	1	
14	92065-054	GASKET FUEL COCK JONT	1	
15	51038-005	STRAINER FUEL	1	
16	51037-007	GASKET FUEL COCK CUP	1	
17	92065-055	GASKET FUEL COCK LEV	1	
18	92055-044	"0" RING	1	
19	51069-001	DIAPHRAGM ASSY	1	
20	92081-048	SPRING DIAPHRAGM	1	
21	92065-052	GASKET	1	
22	92043-127	PIN,CAP HINGE	1	KH500-A8
23	92043-126	PIN,HOOK	1	KH500-A8

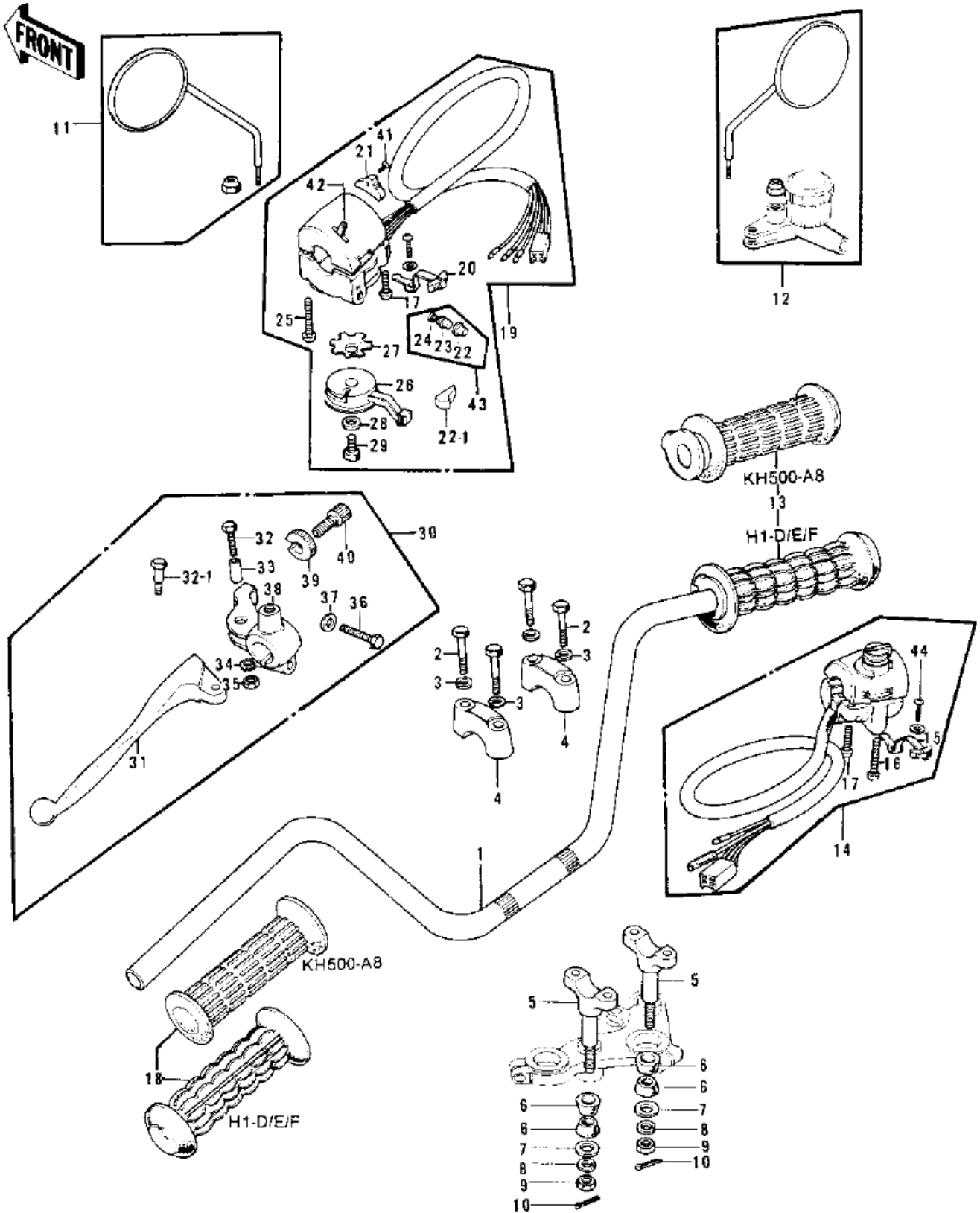
18- GEAR CHANGE MECHANISM



18- GEAR CHANGE MECHANISM

Ref n°	Part n°	Description	Qty	Spec Code
1	13157-004	RUBBER CHANGE PEDAL	1	
2	13242-011	PEDAL ANY,GEAR CHANGE	1	
2-1	13242-011	PEDAL ANY,GEAR CHANGE	1	
3	92043-069	PIN	2	
4	92022-1028	WASHER,PLAIN	2	
5	482K5000	CIRCLIP 5MM	2	
6	13159-008	CONNECTOR,B	1	
7	92017-010	NUT,8MM	1	
8	92003-115	BOLT.CHNG PEDAL JOINT	1	
9	318N0800	NUT,8MM	1	
10	13159-007	CONNECTOR,A	1	
11	13158-011	LEVER-GEAR CHANGE	1	
12	461F0800	WASHER SPRING 8MM	1	
13	115G0820	BOLT,8X20	1	H1-D
13	115B0822	BOLT-SMALL-UPSET.8X22	1	H1-E/F, KH500-A8
14	92081-1045	SPRING.CHNG DRUM LEVR	1	H1-D/E/F
15	13170-004	PLATE CHANGE DRUM LEV	1	H1-D/E/F
16	220B0616	SCREW PAN HEAD 6X16	2	H1-D/E/F
17	13168-012	LEVER GEAR CHNG DRUM	1	H1-D/E/F
18	92150-1450	BOLT.CHANGE DRUM LEVE	1	H1-D/E/F
19	13169-005	PLATE CHNG DRUM PSTON	1	
20	464H0600	WASHER LOCK 6MM	1	
21	212B0616	SCREW CNTSNK HD 6X16	1	
22	92144-1720	SPRING.CHANGE LEVER	1	H1-D/E/F
22	92081-151	SPRING.CHANGE LEVER	1	KH500-A8
23	13080-004	RUBBER CAP	1	
24	13161-035	LEVER ASSY GEAR CHNG	1	H1-D
24	13161-035	LEVER ASSY GEAR CHNG	1	H1-E/F
24	13161-045	LEVER ASSY,CHANGE	1	KH500-A8
25	92026-068	SPACER	1	
26	92027-121	COLLAR	1	
27	92081-1129	SPRING,TENTION	1	
28	92001-1401	BOLT.RETURN SPRING	1	
29	312B0800	NUT 8MM	1	
30	92003-117	BOLT.CHANGE PEDAL	1	
31	92022-150	SHIM-KICK SHAFT,0.5T	1	
32	314G1200A	NUT,12MM	1	

19- HANDLEBAR



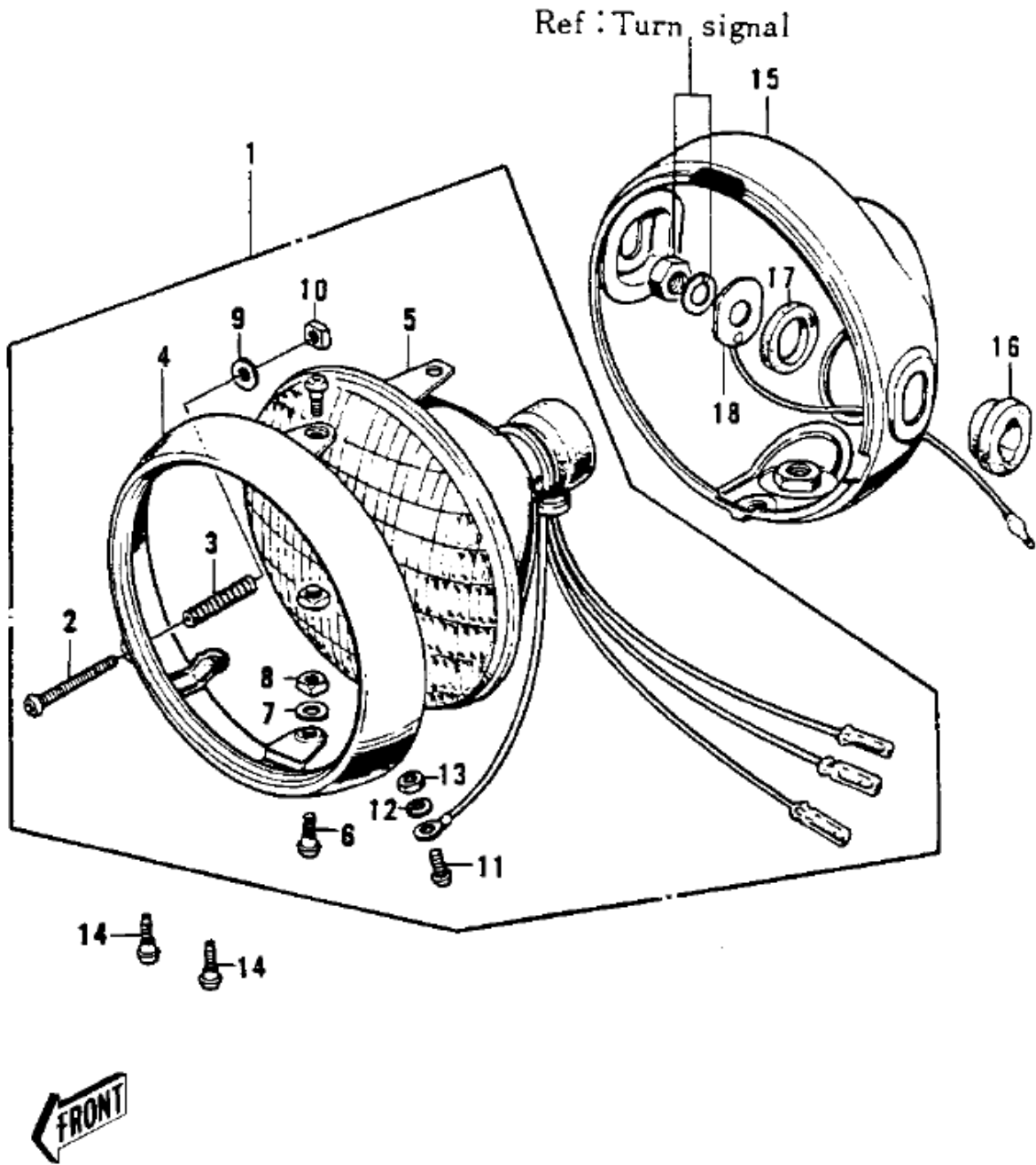
19- HANDLEBAR (1/2)

Ref n°	Part n°	Description	Qty	Spec Code
1	46003-017	HANDLEBAR	1	
2	92001-1405	BOLT 8X38	4	
3	461F0800	WASHER SPRING 8MM	4	
4	46012-008	HOLDER-HANDLEBAR	2	
5	46012-010	HOLDER-HANDLEBAR LOW	2	
6	92075-275	DAMPER RUBBER,HANDLE	4	
7	92022-196	WASHER-HANDLEBAR FIT	2	
8	461F1000	WASHER SPRING 10MM	2	
9	314B1000	NUT,10MM	2	
10	554A0800	PIN,SNAP	2	
11	56003-009	REAR VIEW MIRROR,L.H	1	H1-D/E/F
11	56003-019	REAR VIEW MIRROR,L.H	1	KH500-A8
12	56002-020	REAR VIEW MIRROR,R.H	1	H1-D/E/F
12	56002-029	REAR VIEW MIRROR,R.H	1	KH500-A8
13	46019-023	GRIP ASSY-THROTTLE	1	H1-D/E/F
13	46019-041	GRIP ASSY,THROTTLE	1	KH500-A8
14	46132-003	CASE ASSY,R.H	1	H1-D/E
14	46132-019	CASE ASSY,R.H	1	H1-F
14	46132-027	CASE ASSY,R.H	1	KH500-A8
14	46132-028	CASE ASSY,R.H	1	KH500-A8 CANADA
15	46043-006	KNOB,LIGHING SWITCH	1	
16	220B0535	SCREW-PAN-CROS	1	
17	220B0522	SCREW PAN HEAD 5X22	2	
18	46075-017	RUBBER-L.H GRIP	1	H1-D/E/F
18	46075-028	RUBBER,L.H GRIP	1	KH500-A8
19	46091-014	CASE ASSY,L.H	1	H1-D
19	46091-047	CASE ASSY,L.H	1	H1-E/F,KH500-A8
20	46043-005	KNOB,LIGHTING SW L.H	1	
21	46044-013	KNOB,LIGHTING SW L.H	1	
22	27010-1009	SWITCH ASSY,HORN BUTN	1	H1-D/E
22-1	27010-1001	BUTTON,HORN PUSH	1	H1-F,KH500-A8
23	27010-1009	SWITCH ASSY,HORN BUTN	1	H1-D/E
24	27010-1009	SWITCH ASSY,HORN BUTN	1	H1-D/E
24-1	27010-1009	SWITCH ASSY,HORN BUTN	1	H1-D/E
25	220B0530	SCREW PAN HEAD 5X30	1	
26	46096-009	LEVER,STARTER	1	
27	92095-012	WASHER LOCK	1	
28	410B0600	WASHER PLAIN 6MM	1	
29	110B0608	BOLT HEX HEAD 6X8	1	
30	46076-026	LEVER ASSY-CLUTCH	1	H1-D
30	46076-036	LEVER ASSY,CLUTCH	1	H1-E/F
30	46076-051	LEVER ASSY,CLUTCH	1	KH500-A8
31	46092-015	LEVER-CLUTCH	1	H1-D
31	46092-015	LEVER-CLUTCH	1	H1-E/F
31	46092-023	LEVER,CLUTCH	1	KH500-A8
32	92007-020	BOLT HEX HEAD 5X20	1	H1-D
32-1	92007-046	BOLT,HEX HEAD,5X22	1	H1-E/F
32-1	92007-047	BOLT,HEX HEAD	1	KH500-A8
33	46059-011	COLLAR LEVER	1	H1-D, USE FOR 92007-020
34	464H0500	WASHER LOCK 5MM	1	H1-D, USE FOR 92007-020

19- HANDLEBAR (2/2)

Ref n°	Part n°	Description	Qty	Spec Code
35	312B0500	NUT 5MM	1	H1-D, USE FOR 92007-020
35	92019-014	NUT-LOCK,5MM	1	H1-E/F,KH500-A8
36	110N0625	BOLT HEX HEAD 6X25	1	
37	410B0600	WASHER PLAIN 6MM	1	
38	46094-011-21	HOLDER-CLUTCH LEV,BLK	1	H1-D/E/F
38	46094-017	HOLDER,CLUTCH LEVER	1	KH500-A8
39	46056-005	NUT-LOCK	1	
40	46055-006	SCREW ADJUST	1	
41	221B0308A	SCREW CNTSNK HD 3X8	1	
42	46089-016	SWITCH ASSY,L.H	1	H1-D/E
42	46089-014	SWITCH,L.H	1	H1-F
43	99990-530	L.H GRIP SWITCH KIT	1	INCLUDES REF. #S 21, 41-42
44	220B0305A	SCREW PAN HEAD 3X5	1	

20-HEADLIGHT

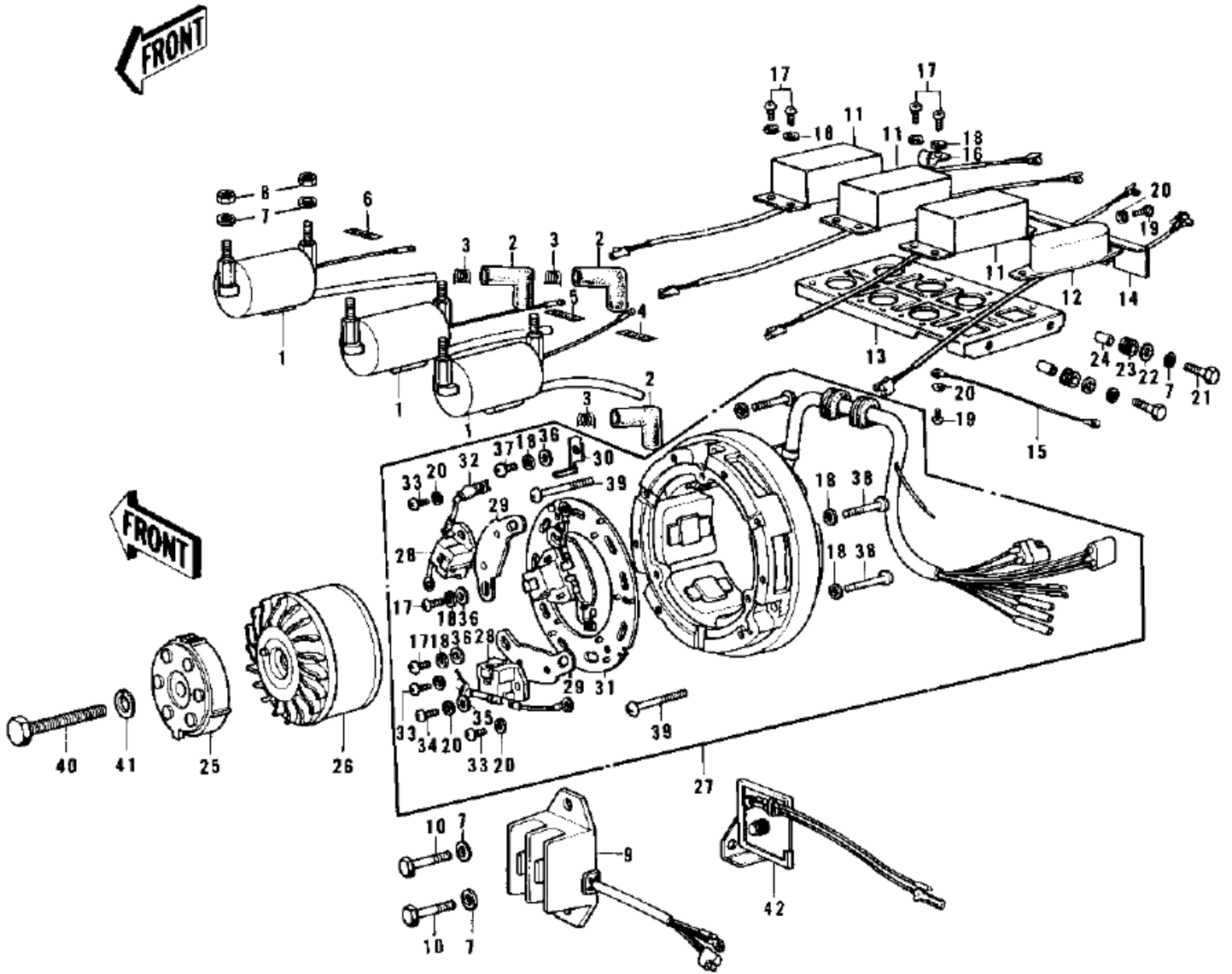


(H1-D/

20- HEADLIGHT

Ref n°	Part n°	Description	Qty	Spec Code
1	23003-018	LAMP UNIT-HEAD	1	
2	23019-021	SCREW FORCUS ADJUST	1	
3	23014-005	SPRING FOCUS ADJUST	1	
4	23006-034	RIM-HEAD LAMP	1	
5	23007-043	SEALED BEAM UNIT	1	
6	23019-023	SCREW-PAN HEAD,5X12	2	
7	23021-012	WASHER-PLAIN,5MM	2	
8	23020-023	NUT,HEAD LAMP RIM FIT	2	
9	23021-004	WASHER	1	
10	23020-018	NUT,4MM	1	
11	220B0306	SCREW-PAN-HEAD 3X6	1	
12	461F0300	WASHER SPRING 3MM	1	
13	311B0300	NUT-HEX	1	
14	23019-022	SCREW,PAN HEAD,5X14	1	
15	23005-038-21	BODY-HEAD.LAMP,BLACK	1	
16	23066-001	DAMPER RUBBER A	2	
17	23066-005	DAMPER RUBBER	2	
18	23076-005	COLLAR	2	

21- IGNITION / GENERATOR / REGULATOR (H1D)

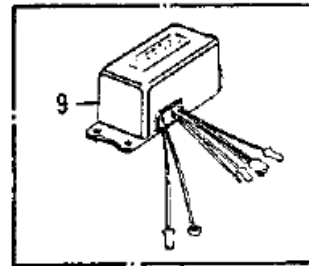
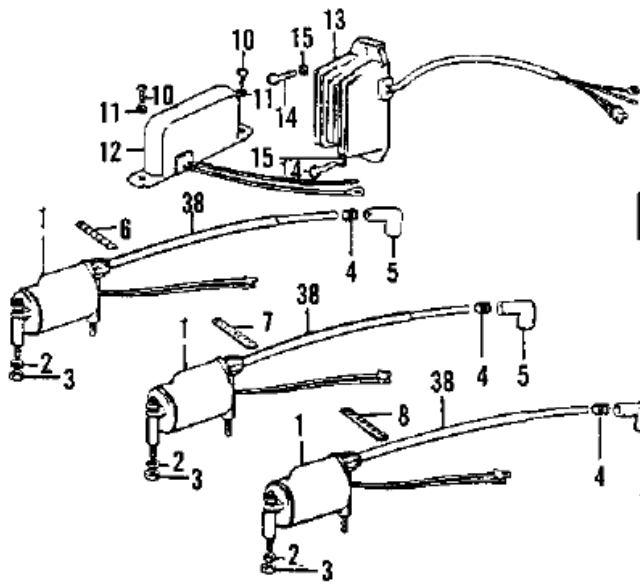


(H1-D)

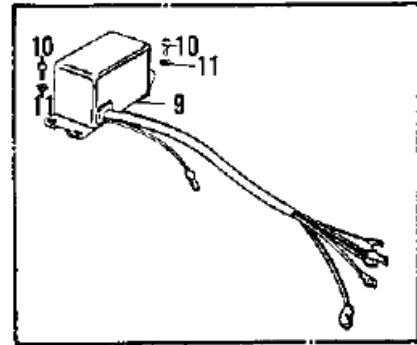
21- IGNITION / GENERATOR / REGULATOR (H1D)

Ref n°	Part n°	Description	Qty	Spec Code
1	21121-064	COIL-IGNITION	3	
2	21130-009	CAP SPARK PLUG	3	
3	92101-001	SPRING-SPARK PLUG CAP	3	
4	21168-001	LABEL,LEFT	1	
5	21168-002	LABEL,CENTER	1	
6	21168-003	LABEL,RIGHT	1	
7	461F0600	WASHER SPRING 6MM	12	
8	311B0600	NUT 6MM	6	
9	21066-1036	REGULATOR	1	
10	112G0616	BOLT-UPSET,6X16	2	
11	21119-016	IGNITION UNIT A	3	
12	21120-006	IGNITION UNIT B	1	
13	21155-005	PLATE,IGNITION UNIT	1	
14	21155-004	PLATE	1	
15	21045-009	WIRE-LEAD	1	
16	21098-009	CLAMP-WIRE	1	
17	220B0510	SCREW PAN HEAD 5X10	15	
18	461F0500	WASHER SPRING 5MM	21	
19	220B0406	SCREW PAN HEAD 4X6	3	
20	461F0400	WASHER SPRING 4MM	15	
21	112G0618	BOLT-UPSET	4	
22	92022-125	WASHER 6.5X20X1.6T	4	
23	92075-051	DAMPER RUBBER	4	
24	92027-103	COLLAR	4	
25	21007-021	ROTOR-S.G	1	
26	21007-024	ROTOR	1	
27	21076-015	YOKE ASSY	1	
28	21152-003	PICK UP	3	
29	21156-002	PLATE-PICK UP	3	
30	21020-002	POINTER-IGN TIMING	1	
31	21155-002	PLATE-YOKE	1	
32	21098-008	CLAMP-LEAD WIRE	3	
33	220B0408	SCREW PAN HEAD 4X8	6	
34	220B0410	SCREW PAN HEAD 4X10	6	
35	410B0400	WASHER PLAIN 4MM	6	
36	411B0500	WASHER PLAIN 5MM	9	
37	220B0512	SCREW PAN HEAD 5X12	3	
38	220B0535	SCREW-PAN-CROS	3	
39	220B0540	SCREW-PAN-CROS	3	
40	92001-1583	BOLT FLANGED,8X70	1	
41	461F0800	WASHER SPRING 8MM	1	
42	21061-014	RECTIFIER	1	

22- IGNITION / GENERATOR / REGULATOR (H1E/F)

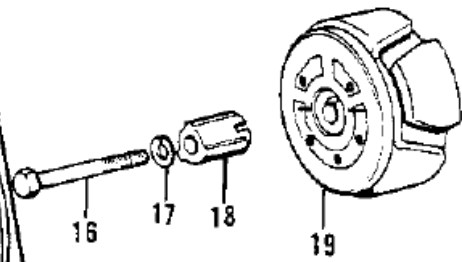
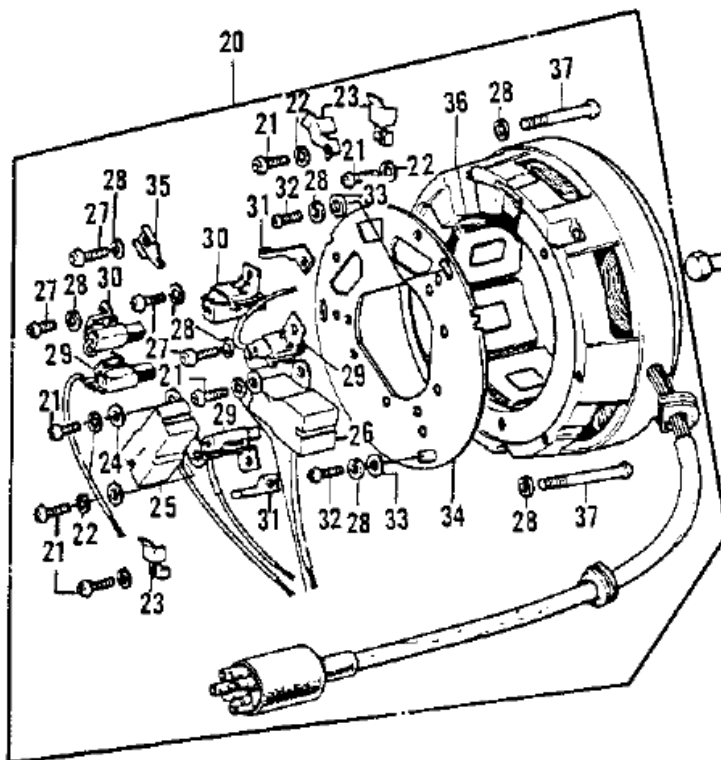


KH 500-A8



H1-E/F

FRONT

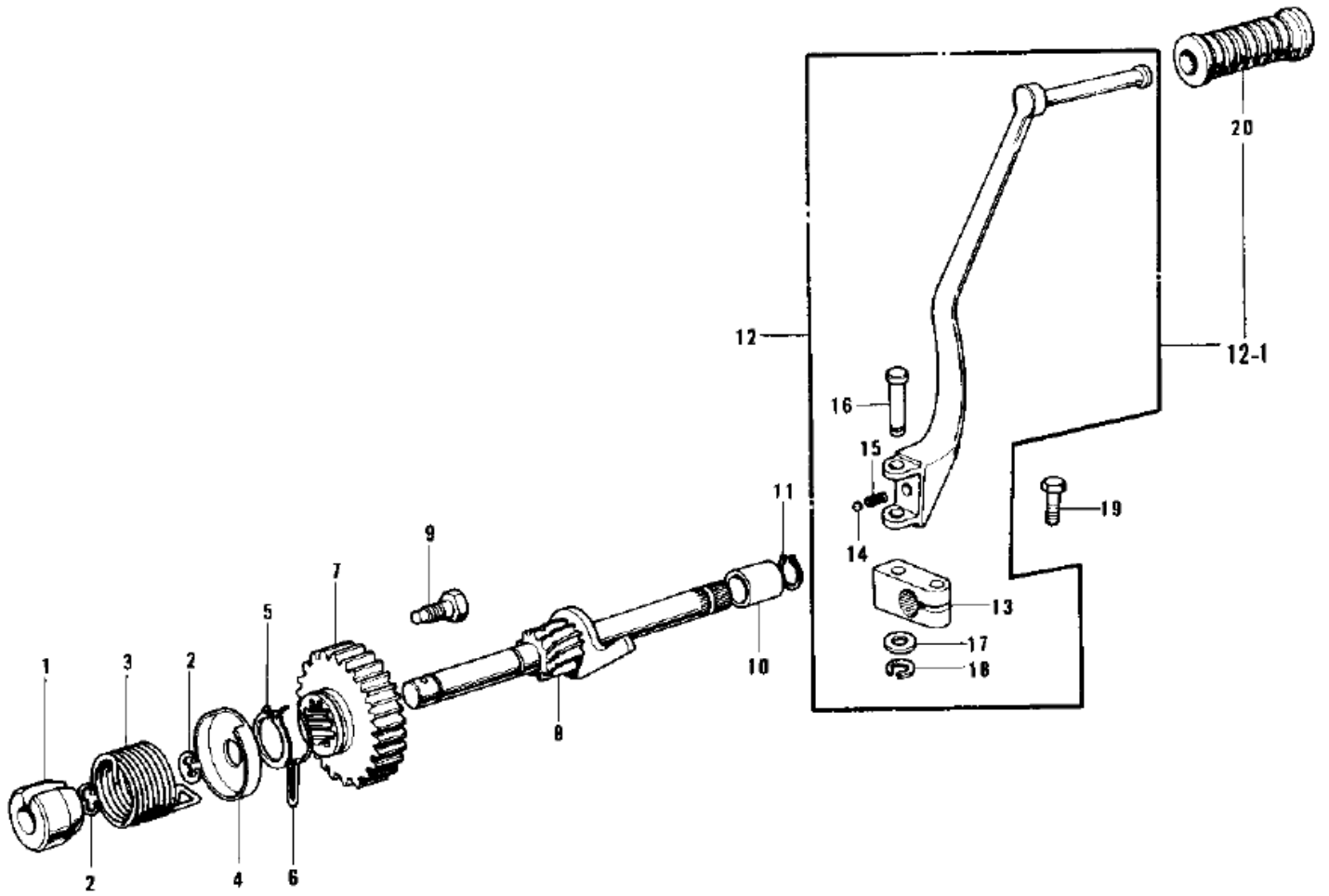


(H1-E/F, KH50

22- IGNITION / GENERATOR / REGULATOR (H1E/F)

Ref n°	Part n°	Description	Qty	Spec Code
1	21121-074	COIL,IGNITION	3	H1-E/F
1	21121-087	COIL,IGNITION	3	KH500-A8
2	461F0600	WASHER SPRING 6MM	6	
3	311B0600	NUT 6MM	6	
4	92101-001	SPRING-SPARK PLUG CAP	3	
5	21130-009	CAP SPARK PLUG	3	
6	21168-001	LABEL,LEFT	1	
7	21168-002	LABEL,CENTER	1	
8	21168-003	LABEL,RIGHT	1	
9	21119-025	IGNITION UNIT	1	H1-E/F
9	21119-025	IGNITION UNIT	1	KH500-A8
10	220B0512	SCREW PAN HEAD 5X12	5	
11	461F0500	WASHER SPRING 5MM	5	
12	21119-019	IGNITION UNIT B	1	
13	21066-1036	REGULATOR	1	
14	112G0620	BOLT-UPSET,6X20	2	
15	461F0600	WASHER SPRING 6MM	2	
16	92001-1583	BOLT FLANGED,8X70	1	
17	461F0800	WASHER SPRING 8MM	1	
18	21007-027	ROTOR,S.G	1	
19	21007-028	ROTOR	1	
20	21076-016	YOKE ASSY	1	H1-E/F
20	21076-022	YOKE ASSY	1	KH500-A8
21	220B0408	SCREW PAN HEAD 4X8	8	
22	461F0400	WASHER SPRING 4MM	8	
23	21098-010	CLAMP,LEAD WIRE	4	
24	410B0400	WASHER PLAIN 4MM	4	
25	21152-004	PICK UP	1	"1" OR "N" MARK
26	21152-005	PICK UP	1	"2" OR "S" MARK
27	220B0506A	SCREW PAN HEAD 5X6	6	
28	461F0500	WASHER SPRING 5MM	12	
29	21088-013	BRUSH,CARBON	3	
30	21088-014	BRUSH,CARBON	2	
31	21098-011	CLAMP,CARBON BRUSH	3	
32	220B0512	SCREW PAN HEAD 5X12	3	
33	410B0500	WASHER PLAIN 5MM	3	
34	21155-007	PLATE,YOKE	1	
35	21020-003	POINTER,IGNITION TMNG	1	
36	21003-024	STATOR	1	H1-E/F
36	21003-033	STATOR ASSY	1	KH500-A8
37	220B0550A	SCREW-PAN HEAD,5X50	3	
38	21133-026	CORD,HIGH TENSION	3	

23- KICKSTARTER MECHANISM

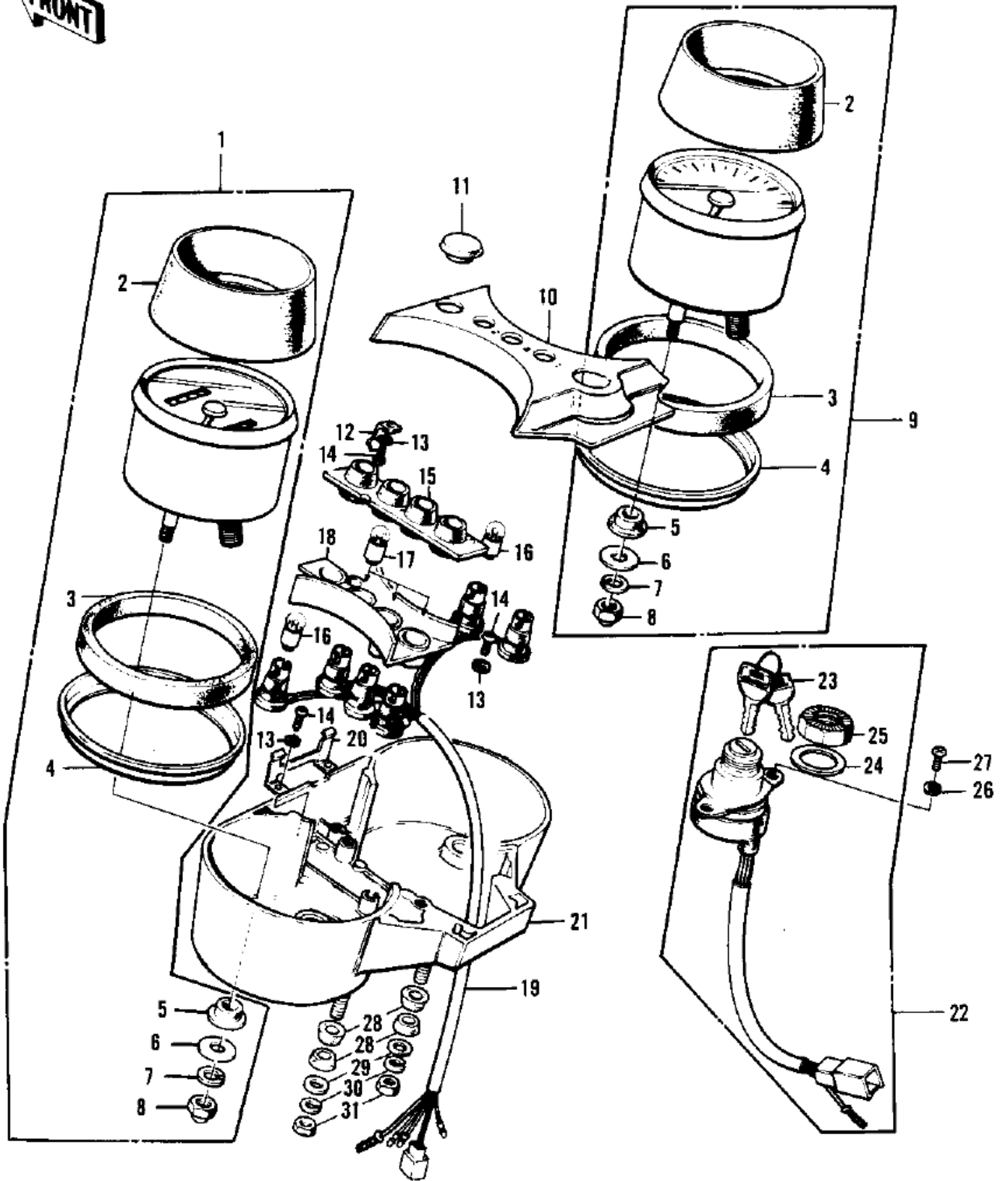


23- KICKSTARTER MECHANISM

Ref n°	Part n°	Description	Qty	Spec Code
1	13070-001	GUIDE KICK SPRING	1	
2	482J0100	CIRCLIP 10MM	2	
3	92081-021	SPRING KICKSTARTER	1	
4	13071-003	PLATE KICK GEAR HLDER	1	
5	480J2600	CIRCLIP 26MM	1	
6	13077-002	HOLDER KICK GEAR	1	
7	13068-015	GEAR KICKSTARTER	1	
8	13245-009	SHAFT ASY,KICKSTARTER	1	H1-D
8	13245-009	SHAFT ASY,KICKSTARTER	1	H1-E/F, KH500-A8
9	13072-006	STOPPER KICKSTARTER	1	
10	92028-072	BUSH	1	
11	480J1600	CIRCLIP 16MM	1	
12	13064-016	PEDAL,KICKSTARTER	1	H1-D
12-1	13064-016	PEDAL,KICKSTARTER	1	H1-E/F, KH500-A8
13	13061-013	BOSS-KICK PEDAL	1	H1-D
13	13061-020	BOSS,KICK PEDAL	1	H1-E/F, KH500-A8
14	600A0800	BALL STEEL 1/4'	1	
15	92081-020	SPRING KICK PEDAL	1	
16	92043-075	PIN-KICKSTARTER	1	
17	410B0800	WASHER PLAIN 8MM	1	
18	482K5000	CIRCLIP 5MM	1	
19	92001-101	BOLT-KICK PEDAL	1	
20	13063-004	RUBBER KICK PEDAL	1	

24- METERS / IGNITION SWITCH

FRONT

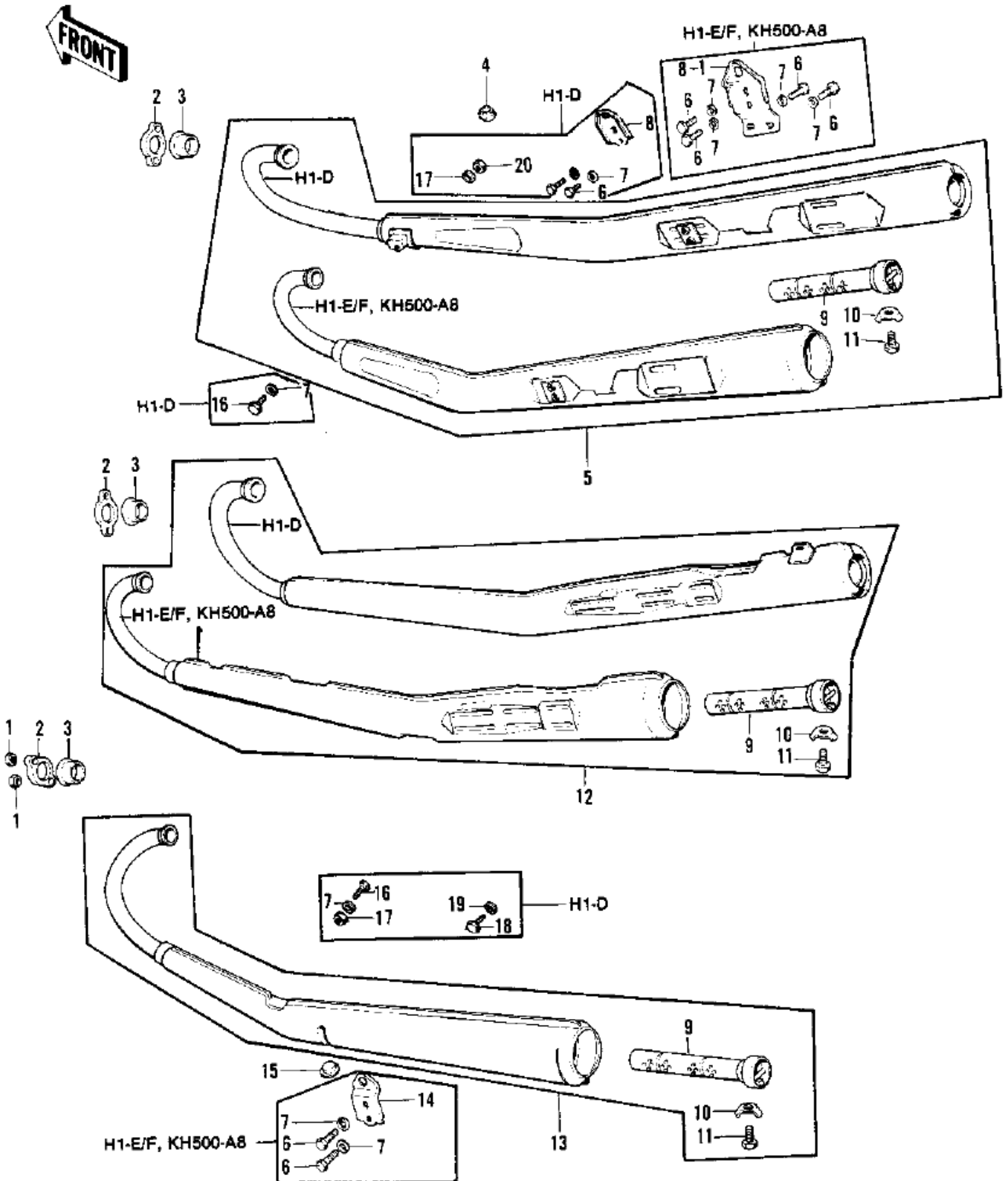


1045-235-7 H1-DIE/F, KH500-A8

24- METERS / IGNITION SWITCH

Ref n°	Part n°	Description	Qty	Spec Code
1	25005-090	SPEEDOMETER ASSY,MPH	1	H1-D
1	25005-109	SPEEDOMETER ASSY,MPH	1	H1-E
1	25005-124	SPEEDOMETER ASSY,MPH	1	H1-F
1	25005-124	SPEEDOMETER ASSY,MPH	1	KH500-A8
1	25005-111	SPEEDOMETER ASSY KPH (Canada)	1	CANADA
2	25012-012	COVER-METER	2	
3	25019-015	DAMPER RUBBER-METER	2	
4	25026-001	RING-METER	2	
5	25019-013	DAMPER RUBBER-METER	4	
6	411B0500	WASHER PLAIN 5MM	4	
7	461F0500	WASHER SPRING 5MM	4	
8	92015-059	NUT.5MM	4	
9	25015-026	TACHOMETER ASSY	1	
10	25023-002	COVER-METER CASE	1	H1-D
10	25023-009	COVER.METER CASE	1	H1-E/F, KH500-A8
11	92074-032	PLUG.RUBBER	1	
12	25014-004	HOLDER-METER CASE COV	2	
13	461F0400	WASHER SPRING 4MM	6	
14	220B0408	SCREW PAN HEAD 4X8	6	
15	25019-014	DAMPER RUBBER-METER	1	
16	92069-018	BULB 12V 3W	5	
17	92069-017	BULB 12V 1.5W	1	
18	25023-003	COVER-METER SOCKET	1	
19	25011-029	SOCKET-METER	1	H1-D
19	25011-040	SOCKET,METER.	1	H1-E/F, KH500-A8
20	25014-003	HOLDER-METER CASE	1	
21	25008-026	CASE-METER	1	
22	27005-050	SWITCH ASSY,IGNITION	1	H1-D
22	27005-054	SWITCH ASSY,IGNITION	1	H1-E/F, KH500-A8
23	27008-048-90	KEY SET.#190	AR	H1-D
23	27008-048-95	KEY SET.#195	AR	H1-D
23	27008-055-11	KEY SET,#911	AR	H1-D
23	27008-055-25	KEY SET.#925	AR	H1-E/F, KH500-A8
23	27008-1024	KEY,BLANK	AR	
23	27008-1025	KEY,BLANK	AR	
24	27019-002	WASHER-IGNITION	1	
25	27007-003	NUT-IGNITION SWITCH	1	
26	461F0500	WASHER SPRING 5MM	2	
27	220B0508	SCREW PAN HEAD 5X8	2	
28	92075-080	DAMPER RUBBER	4	
29	411B0800	WASHER PLAIN 8MM	2	
30	461F0800	WASHER SPRING 8MM	2	
31	311B0800	NUT,8MM	2	

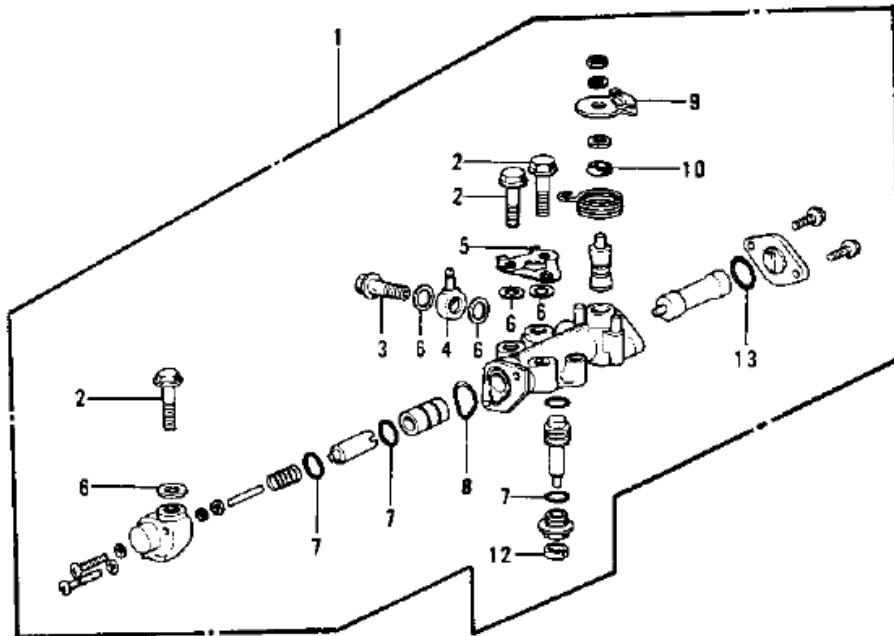
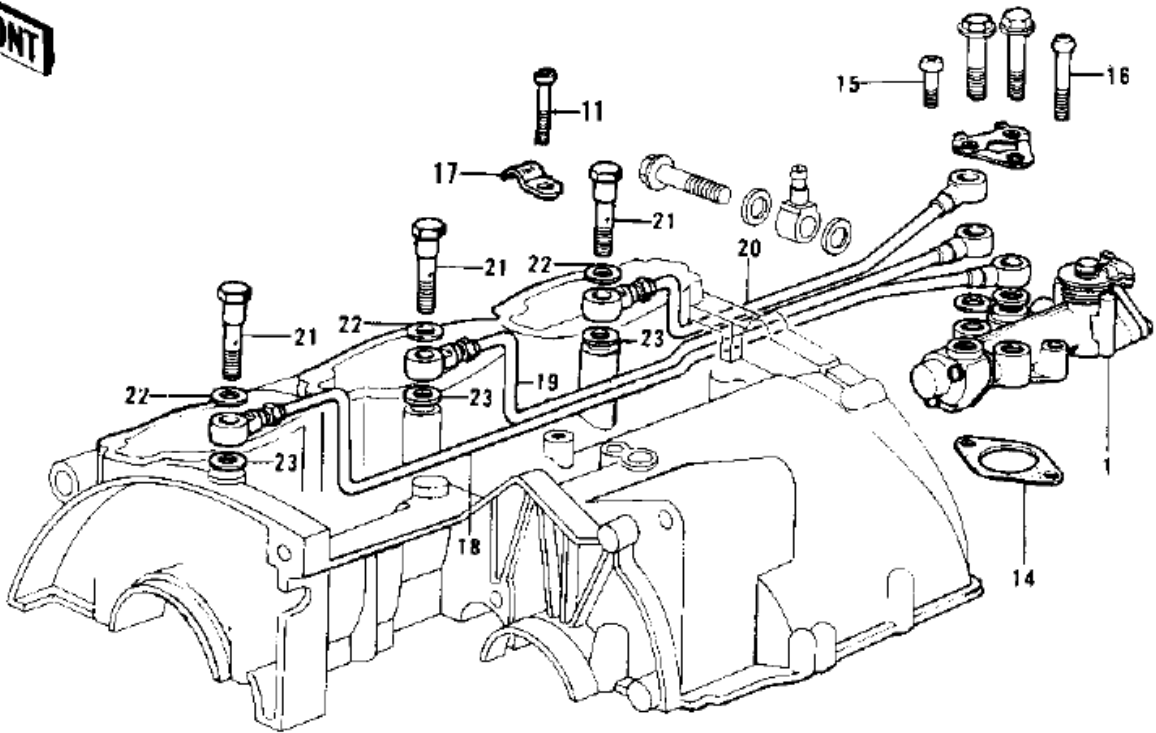
25- MUFFLERS



25- MUFFLERS

Ref n°	Part n°	Description	Qty	Spec Code
1	311B0600	NUT 6MM	6	H1-D
1	311B0800	NUT,8MM	6	H1-E/F
1	311B0800	NUT,8MM	6	KH500-A8
2	18069-044	HOLDER,EXHAUST	3	H1-D
2	18069-049	HOLDER,EXHAUST	3	H1-E/F,KH500-A8
3	18070-007	INSERT,EXHAUST HOLDER	3	
4	92075-006	DAMPER RUBBER	1	H1-E/F,KH500-A8
5	18001-086	MUFFLER ASSY,R.H	1	H1-D
5	18001-164	MUFFLER ASSY,R.H	1	H1-E
5	18001-164	MUFFLER ASSY,R.H	1	H1-F
5	18001-179	MUFFLER ASSY,R.H	1	KH500-A8
6	115B0814	BOLT-SMALL-UPSET,8X14	4	H1-D
6	115B0814	BOLT-SMALL-UPSET,8X14	6	H1-E/F,KH500-A8
7	461F0800	WASHER SPRING 8MM	6	
8	18061-039	BRACKET,MUFFLER	2	H1-D
8-1	18061-050	BRACKET,MUFFLER,R.H	1	H1-E/F,KH500-A8
9	18033-064	BAFFLE TUBE	3	
10	92024-016	WASHER LOCK 6MM	3	
11	112G0612	BOLT-UPSET,6X12	3	
12	18001-085	MUFFLER ASSY,CENTER	1	H1-D
12	18001-163	MUFFLER ASSY,CENTER	1	H1-E
12	18001-163	MUFFLER ASSY,CENTER	1	H1-F
12	18001-178	MUFFLER ASSY,CENTER	1	KH500-A8
13	18001-084	MUFFLER ASSY,L.H	1	H1-D
13	18001-162	MUFFLER ASSY L.H.	1	H1-E
13	18001-162	MUFFLER ASSY L.H.	1	H1-F
13	18001-177	MUFFLER ASSY,L.H	1	KH500-A8
14	18061-049	BRACKET,MUFFLER,L.H	1	H1-E/F,KH500-A8
15	92075-015	DAMPER RUBB MAIN STAD	1	
16	115G0825	BOLT-SMALL-UPSET 8X25	2	H1-D
17	411B0800	WASHER PLAIN 8MM	2	H1-D
18	113G1018	BOLT,HEX HEAD,10X18	1	H1-D
19	461F1000	WASHER SPRING 10MM	1	H1-D
20	311B0800	NUT,8MM	1	H1-D

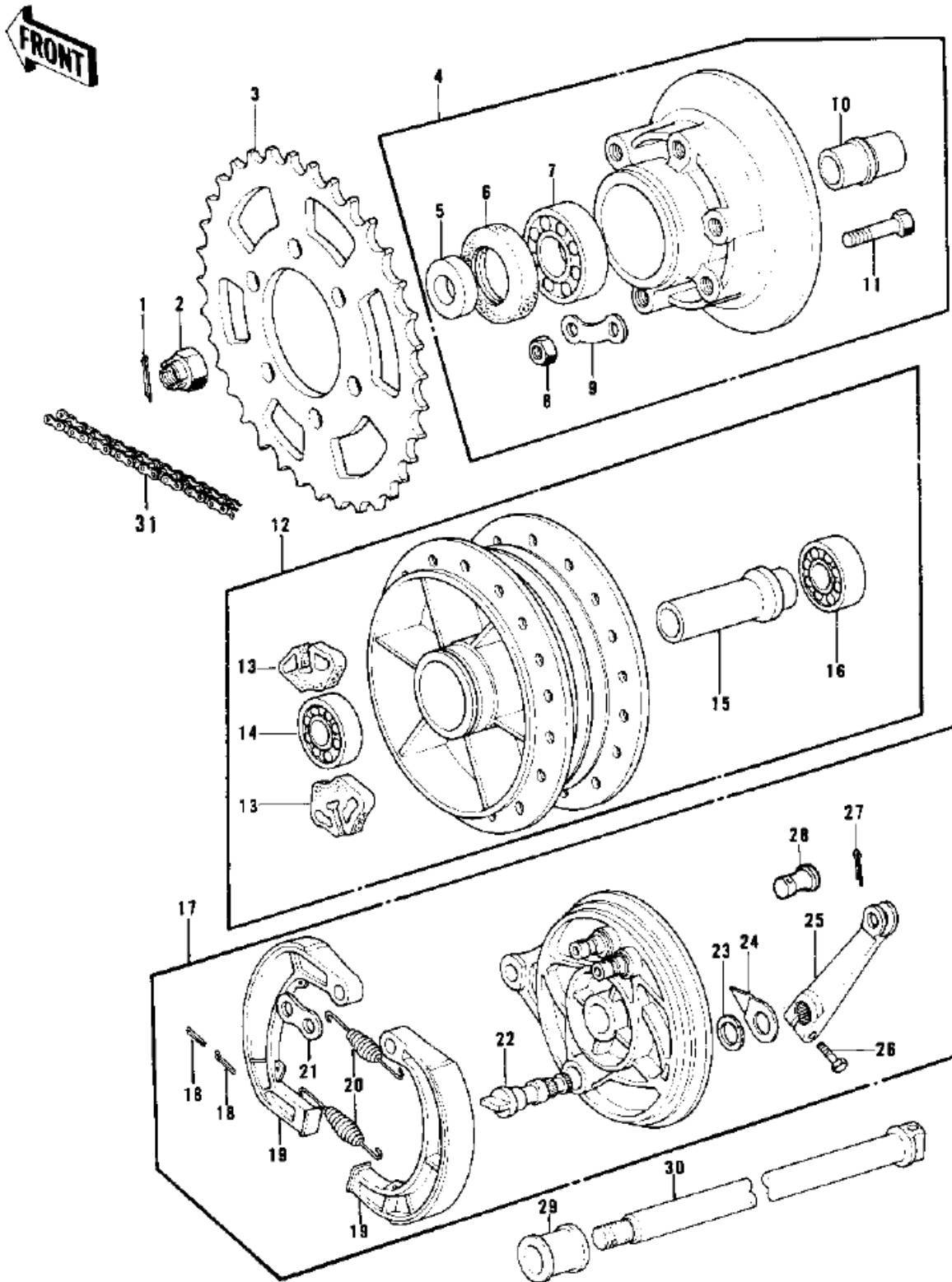
26- OIL PUMP



26- OIL PUMP

Ref n°	Part n°	Description	Qty	Spec Code
1	16082-040	OIL PUMP ASSY	1	
2	92060-008	BOLT BANJO	3	
3	92060-009	BOLT BANJO	1	
4	92061-015	CONNECTOR BANJO	1	
5	92024-058	WASHER,OIL PUMP LOCK	1	
6	92022-077	WASHER OIL PUMP BANJO	5	
7	16090-002	"0" RING,OIL PUMP SHT	3	
8	16088-002	"0" RING,UPPER CAP	1	
9	16096-003	LEVER-OIL PUMP CABLE	1	
10	92049-1294	SEAL-OIL,CAMSHAFT,"X"	1	
11	220B0610	SCREW PAN HEAD 6X10	1	
12	16091-001	OIL SEAL OIL PUMP SHT	1	
13	16090-003	"0" RING.LOWER CAP	1	
14	11060-1160	GASKET,OIL PUMP	1	
15	220B0514	SCREW-PAN-CROS	1	
16	220B0528	SCREW PAN CROSS.5X28	1	
17	16068-004	HOLDER OIL PIPE	1	
18	16134-007	PIPE OIL	1	
19	16134-008	PIPE OIL	1	
20	16134-009	PIPE OIL	1	
21	92060-010-79	BOLT-BANJO,CR	3	
22	92065-058	GASKET CHECK VALVE	3	
23	92065-023	GASKET CHECK VALVE	3	

27- REAR HUB / BRAKE / CHAIN

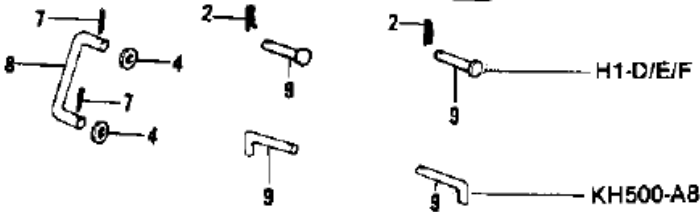
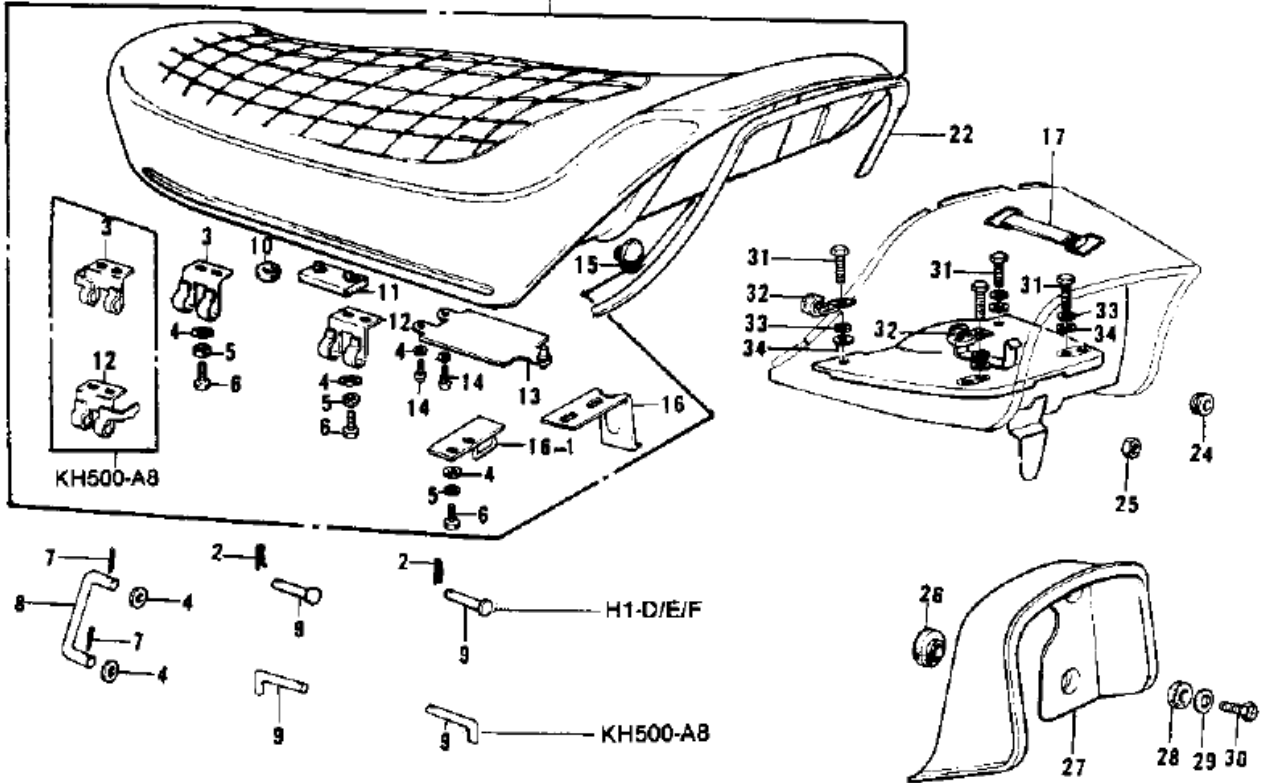


27- REAR HUB / BRAKE / CHAIN

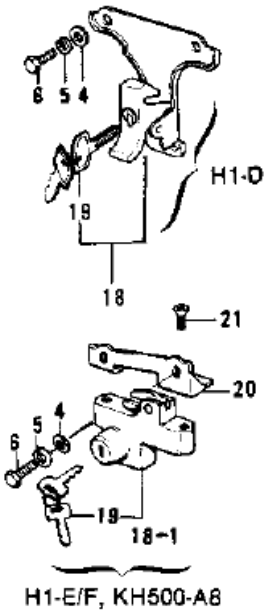
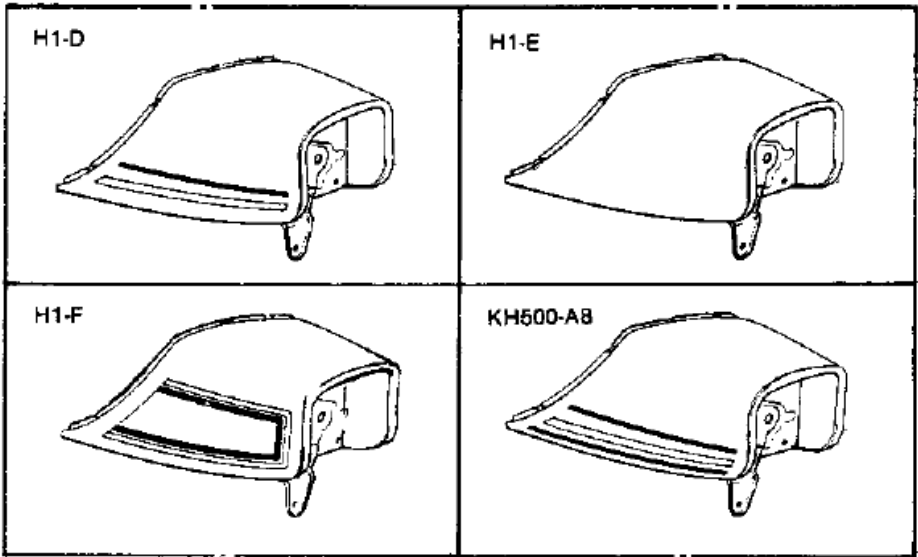
Ref n°	Part n°	Description	Qty	Spec Code
1	550D4035	PIN-COTTER,4.0X35	1	
2	92015-055	NUT CASTLE,16MM	1	
3	42041-046	REAR SPROCKET 45T	1	STD
3	42041-047	RR SPROCKET 43T (OPT)	1	
3	42041-077	RR SPROCKET 47T (OPT)	1	
4	42008-014	COUPLING ASSY,RR HUB	1	
5	42037-022	COLLAR,RR AXLE SLEEVE	1	
6	92050-027	OIL SEAL	1	
7	601B6305	BEARING BALL #6305	1	
8	42045-005	NUT 10MM	6	
9	92088-007	WASHER LOCK	3	
10	42036-014	SLEEVE,RR HUB COUPLNG	1	
11	92003-087	BOLT-REAR SPROCKET	6	
12	42005-015-80	DRUM ASSY,RR BK,BUFF	1	
13	42014-014	DAMPER REAR HUB SHOCK	6	
14	601B6303Z	BEARING BALL #6303Z	1	
15	42010-014	SPACER RR HUB BEARING	1	
16	601B6205Z	BEARING BALL #6205Z	1	
17	42006-031-80	PANEL-ASY,RR BRK,BUFF	1	H1-D
17	42006-061-80	PANEL-ASY,RR BRK,BUFF	1	H1-E/F,KH500-A8
18	550D3025	PIN COTTER 3.0X25	2	
19	41048-013	SHOE,BRAKE	2	
20	41049-012	SPRING,BRAKE SHOE	2	H1-D
20	41049-012	SPRING,BRAKE SHOE	2	H1-E/F,KH500-A8
21	41045-006	WASHER-BRAKE SHOE	1	
22	41050-011	CAM SHAFT-BRAKE	1	H1-D
22	41050-017	CAM SHAFT,BRAKE	1	H1-E/F,KH500-A8
23	41051-003	DUST SHIELD-BRAKE CAM	1	
24	41085-004	INDICATOR,BRAKE SHOE	1	
25	42029-024	LEVER,REAR BRAKE CAM	1	
26	115G0825	BOLT-SMALL-UPSET 8X25	1	
27	550D2525	PIN COTTER 2.5X25	1	
28	92043-093	PIN	1	
29	42032-017	COLLAR REAR AXLE	1	
30	42031-042	AXLE,REAR	1	H1-D/E/F
30	42031-053	AXLE,REAR	1	KH500-A8
31	92057-038	DR CHAIN 530X106 H1D	1	H1-D/E/F
31	92057-1044	CHAIN,530X106 SH-D	1	KH500-A8
31	92057-1044	CHAIN,530X106 SH-D	1	EK530SH-O

28- METERS/IGNITION SWITCH SEAT / SEAT COVER

FRONT



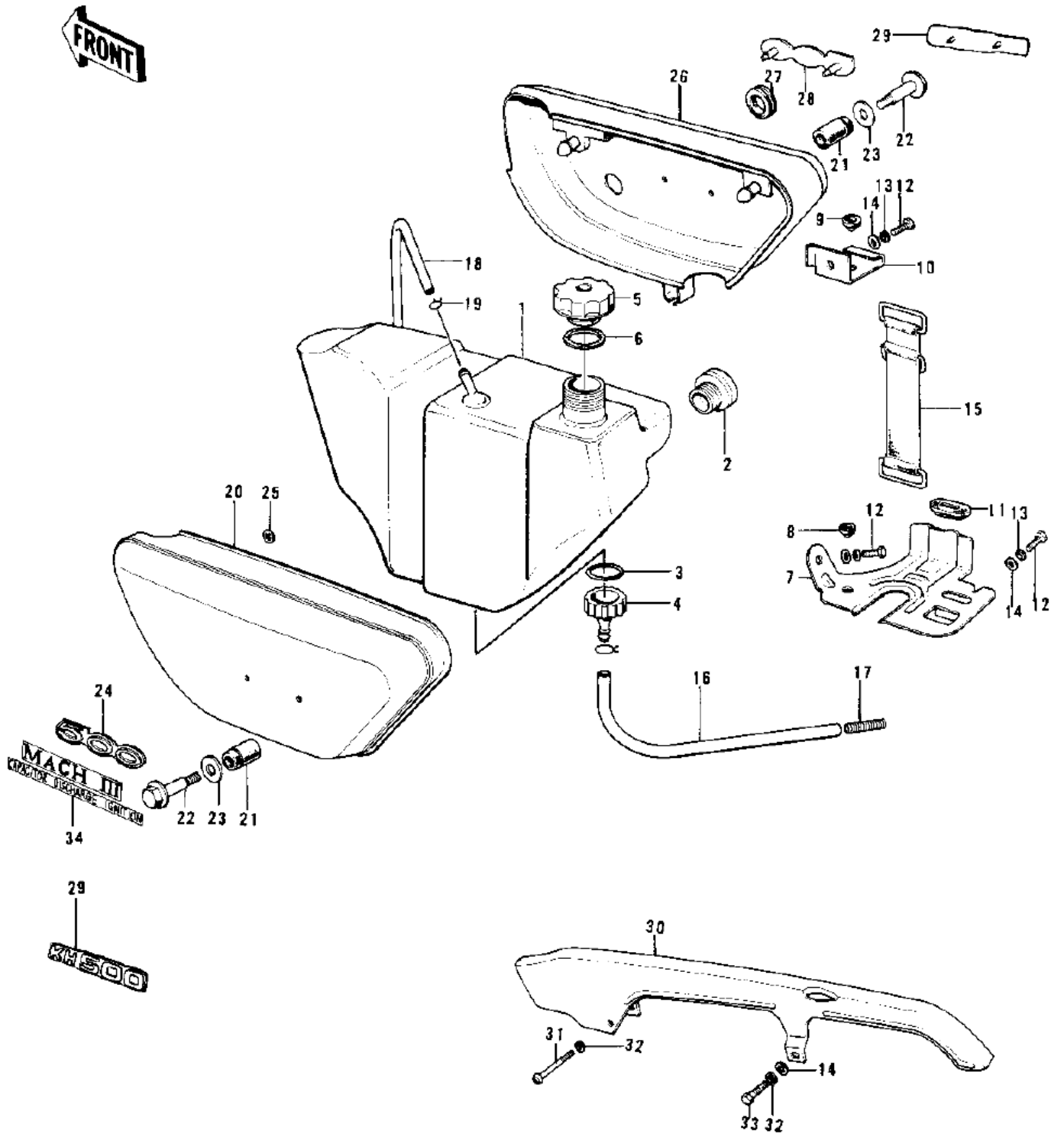
23



28- SEAT / SEAT COVER

Ref n°	Part n°	Description	Qty	Spec Code
1	53001-079	SEAT-ASSY,DUAL	1	H1-D
1	53001-097	SEAT-ASSY,DUAL	1	H1-E/F
1	53001-115	SEAT-ASSY,DUAL	1	KH500-A8
2	92041-003	COTTER PIN	2	
3	53009-021	HINGE-SEAT	1	H1-D/E/F
3	53009-033	HINGE.FRONT	1	KH500-A8
4	410B0600	WASHER PLAIN 6MM	12	
5	461F0600	WASHER SPRING 6MM	6	
6	112B0614	BOLT-UPSET 6X14	6	
7	550D1615	PIN COTTER 1.6X15	2	H1-D
7	92041-003	COTTER PIN	2	H1-E/F
7	92041-006	PIN,COTER	2	KH500-A8
8	53054-002	STAND,SEAT	1	
9	53011-002	PIN	2	H1-D/E/F
9	92043-1064	PIN,SEAT PIVOT	2	KH500-A8
9	92043-1064	PIN,SEAT PIVOT	2	
10	92071-056	GROMMET	1	
11	92075-139	DAMPER RUBBER,SEAT	3	
12	53009-022	HINGE	1	H1-D/E/F
12	53009-034	HINGE,REAR	1	KH500-A8
13	32099-011	CASE	1	
14	220B0614	SCREW PAN HEAD 6X14	2	
15	92075-099	DAMPER RUBBER	1	
16	53008-018	HOOK	1	H1-D
16-1	53008-025	HOOK,SEAT	1	H1-E/F,KH500-A8
17	92072-012	BAND TOOL	1	
18	53045-004	HOOK ASSY	1	H1-D
18-1	53045-013	LOCK ASSY,SEAT	1	H1-E/F,KH500-A8
19	27018-016-65	KEY SET,#265	AR	H1-D
19	27018-016-79	KEY SET,#279	AR	
19	27008-055-11	KEY SET,#911	AR	
19	27008-055-25	KEY SET,#925	AR	H1-E/F,KH500-A8
20	53010-005	BRACKET,HOOK	1	H1-E/F,KH500-A8
21	221B0612	SCREW CNTSNK HD 6X12	2	H1-E/F,KH500-A8
22	53044-004	MOLE	1	
23	53043-006-77	BACK REST,C.LIME	1	H1-D
23	53043-006-1X	BACK REST,C.RED	1	H1-E
23	53043-006-1Y	BACK REST,C.LIME	1	H1-E
23	53043-006-2W	BACK REST,C.BLUE	1	H1-F
23	53043-006-2X	BACK REST, C.GOLD	1	H1-F
23	53043-006-3T	BACKREST,DEEP.BURGUN	1	KH500-A8
23	53043-006-3U	BACK REST,COPPER	1	KH500-A8
24	92071-070	GROMMET,WIRING HARNES	1	
25	311B0600	NUT 6MM	4	
26	92075-169	DAMPER RUBBER	4	
27	53057-002	COVER,BACK REST	1	
28	92075-168	DAMPER RUBBER	4	
29	92022-240	WASHER-PLAIN,7MM	4	
30	92011-030	SCREW-PAN HEAD,6X30	4	
31	115G0818	BOLT-SMALL-UPSET,8X18	4	
32	92037-113	CLAMP,HARNNESS	2	H1-E/F,KH500-A8
33	461F0800	WASHER SPRING 8MM	4	
34	411B0800	WASHER PLAIN 8MM	4	

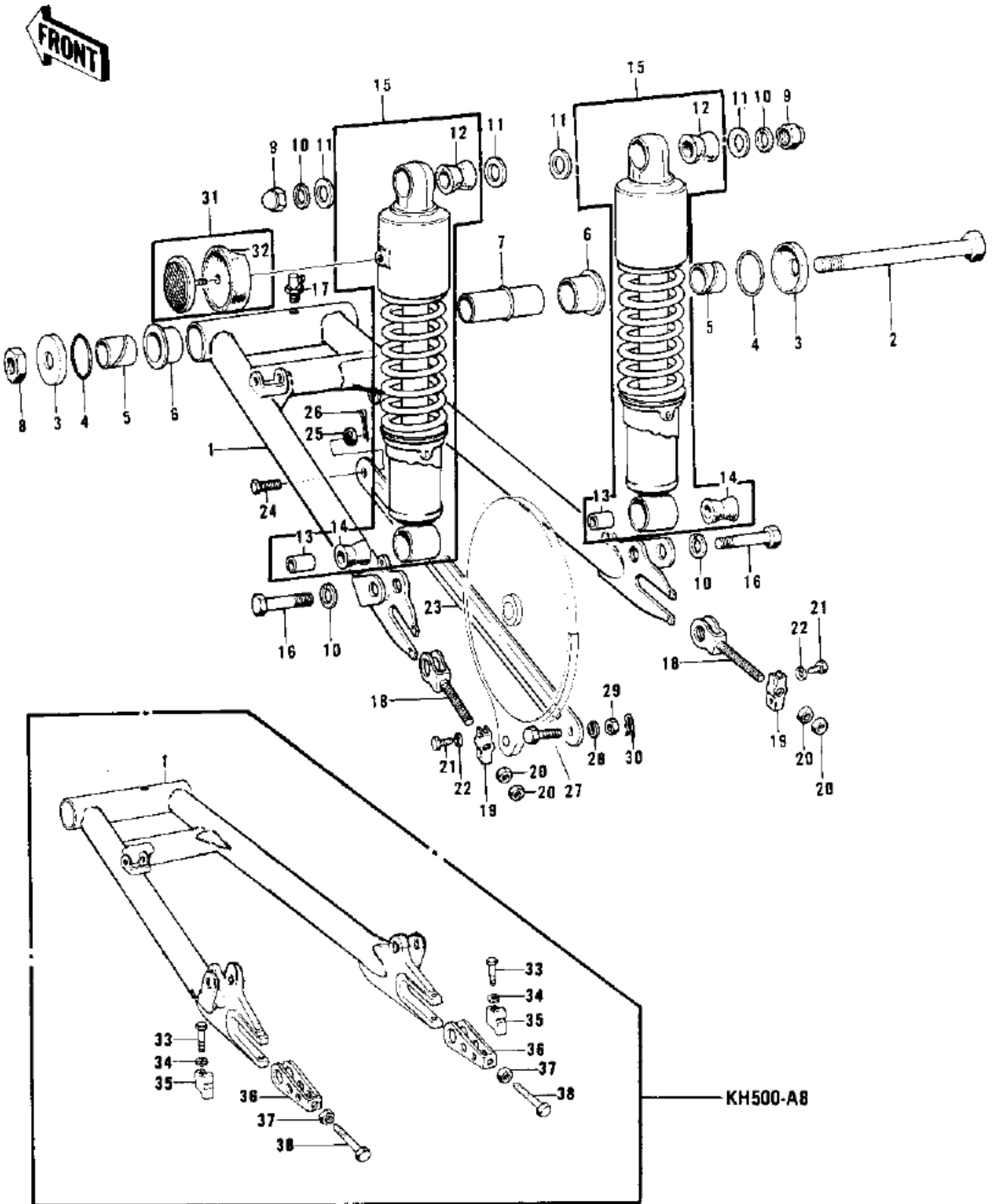
29- SIDE COVERS / OIL TANK / CHAIN COVER



29- SIDE COVERS / OIL TANK / CHAIN COVER

Ref n°	Part n°	Description	Qty	Spec Code
1	52001-034	TANK,OIL	1	
2	52015-005	GAUGE-OIL LEVEL	1	
3	670B2015	"O" RING,15MM	1	
4	52020-001	FILTER-OIL	1	
5	52003-019	CAP-OIL TANK	1	
6	92065-085	GASKET-OIL TANK CAP	1	
7	31101-002	PLATE,1.0T	1	
8	92075-183	DAMPER RUBBER,PLATE	1	
9	92075-078	DAMPER RUBBER	1	
10	32101-008	PLATE,1.6T	1	
11	92075-166	DAMPER RUBBER	1	
12	112B0614	BOLT-UPSET 6X14	3	
13	461F0600	WASHER SPRING 6MM	3	
14	411B0600	WASHER PLAIN 6MM	4	
15	32100-017	BAND,OIL TANK	1	
16	92059-082	PIPE,OIL	1	
17	92081-027	SPRING PIPE CLAMP B	1	
18	700Q05600	TUBE-VINYL,5X600	1	
19	92037-072	CLAMP-PIPE	2	
20	36001-037-77	COVER,L.H SIDE,C.LIME	1	H1-D
20	36001-037-1X	COVER,L.H SIDE,C.RED	1	H1-E
20	36001-037-1Y	COVER,L.H SIDE,LIME	1	H1-E
20	36001-037-2W	COVER,L.H SIDE,BLUE	1	H1-F
20	36001-037-2X	COVER,L.H SIDE,GOLD	1	H1-F
20	36001-037-3T	COVER,L.H SIDE D.BURG	1	KH500-A8
20	36001-037-3U	COVER,L.H SIDE,COPPER	1	KH500-A8
21	92075-184	DAMPER RUBBER,SID COV	2	
22	92007-034	BOLT,SIDE COVER FITT	2	
23	411B0800	WASHER PLAIN 8MM	2	
24	56018-146	EMBLEM,L.H SIDE COVER	1	H1-D/E
24	56018-195	EMBLEM,L.H SIDE COVER	1	H1-F
25	92018-004	NUT,LOCK,5MM	4	
26	36007-032-77	COVER,RH SIDE,C.LIME	1	H1-D
26	36007-032-1X	COVER,RH SIDE,C.RED	1	H1-E
26	36007-032-1Y	COVER,RH SIDE,LIME	1	H1-E
26	36007-032-2W	COVER,RH SIDE,BLUE	1	H1-F
26	36007-032-2X	COVER,RH SIDE,GOLD	1	H1-F
26	36007-032-3T	COVER,RH SIDE,D.BURG	1	KH500-A8
26	36007-032-3U	COVER,RH SIDE,COPPER	1	KH500-A8
27	92071-065	GROMMET-R.H SIDE COV	1	
28	56018-147	EMBLEM,R.H SIDE COVER	1	H1-D/E
28	56018-196	EMBLEM,R.H SIDE COVER	1	H1-F
29	56018-213	EMBLEM,SIDE COVER	2	KH500-A8
30	36014-046-21	CASE-CHAIN,FR BLACK	1	H1-D
30	36014-053	CASE-CHAIN	1	H1-E/F,KH500
31	220E0650	SCREW PAN HEAD 6X50	1	
32	461F0600	WASHER SPRING 6MM	2	
33	92001-121	BOLT,HEX HEAD,6X14	1	
34	56027-145-SP	DECAL,SIDE COVER	2	H1-D
34	56027-197-SP	DECAL,SIDE COVER	2	H1-E
34	56027-198-SP	DECAL,SIDE COVER	2	H1-E

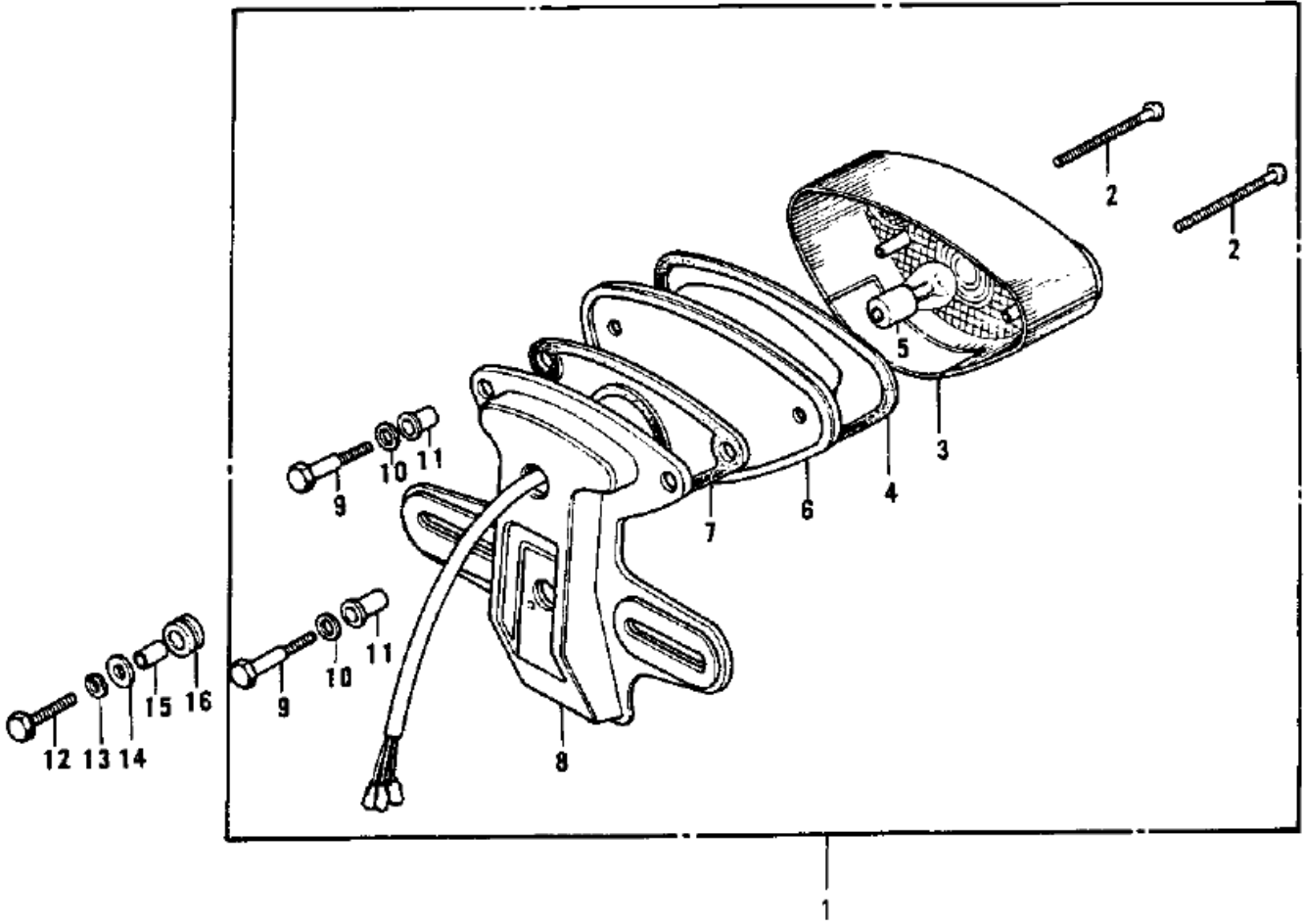
30- SWING ARM / SHOCK ABSORBERS



30- SWING ARM / SHOCK ABSORBERS

Ref n°	Part n°	Description	Qty	Spec Code
1	33001-050	ARM,SWING	1	H1-D
1	33001-065	SWINGING ARM	1	H1-E/F
1	33001-084	1ARM,SWING	1	KH500-A8
2	33032-038	SHAFT-SWING ARM PIVOT	1	
3	33035-007	CAP,SWING ARM	2	
4	671B2530	"0" RING,30MM	2	
5	33034-009	SLEEVE SWING ARM	2	
6	33033-009	BUSHING-SWING ARM	2	
7	33034-008	SLEEVE SWING ARM LONG	1	
8	92019-012	NUT-SELF LOCKING	1	
9	92020-003	NUT SHOCK ABSORBER	2	
10	461F1000	WASHER SPRING 10MM	4	
11	92022-246	WASHER,PLAIN.10MM	4	
12	45017-001	BUSH SHCK ABS RUBBER	4	H1-D
12	45017-015	BUSHING,SHCK ABS RUB	2	H1-E/F,KH500-A8
13	45016-003	BUSH SHCK ABS PVT SFT	2	H1-D
13	45016-008	BUSHING,SHOCK ABSORB	2	H1-E/F,KH500-A8
14	45017-018	BUSHING,SHCK ABS RUB	2	H1-D
14	45017-012	BUSHING, SHCK ABS RUB	2	H1-E/F,KH500-A8
15	45014-077	SHOCK ABSBR RR	2	H1-D
15	45014-095	SHOCK ABSBR RR	2	H1-E/F,KH500-A8
16	113N1035	BOLT HEX HEAD 10X35	2	
17	92005-002	GREASE NIPPLE	1	
18	33040-050	ADJUSTER-CHAIN	2	H1-D
18	33040-059	ADJUSTER.CHAIN	2	H1-E/F
19	33041-002	PLATE-CHAIN ADJUSTER	2	H1-D
19	33041-004	PLATE,CHAIN ADJUSTER	2	H1-E/F
20	312B0800	NUT 8MM	4	
21	112G0616	BOLT-UPSET.6X16	4	
22	461F0600	WASHER SPRING 6MM	4	
23	43007-027	TORQUE LINK-REAR BRK	1	
24	92003-096	BOLT	1	
25	314B1000	NUT.10MM	1	
26	550D2025	PIN COTTER 2.0X25	1	
27	92003-097	BOLT-HEX HEAD,10X40	1	
28	461F1000	WASHER SPRING 10MM	1	
29	315B1000	NUT 10MM	1	
30	554A0800	PIN,SNAP	1	
31	28001-030	REFLECTOR,REFLEX,REAR	2	
32	28016-003	DAMPER RUBBER,REFLEX	2	
33	92001-1577	BOLT,FLANGED.8X35	2	KH500-A8
34	461F0800	WASHER SPRING 8MM	2	KH500-A8
35	33044-002	STOPPER,CHAIN ADJUST	2	KH500-A8
36	33040-056	ADJUSTER.CHAIN	2	KH500-A8
37	314B0800	NUT 8MM	2	KH500-A8
38	92001-1399	BOLT,8X50	2	KH500-A8

31- TAILLIGHT

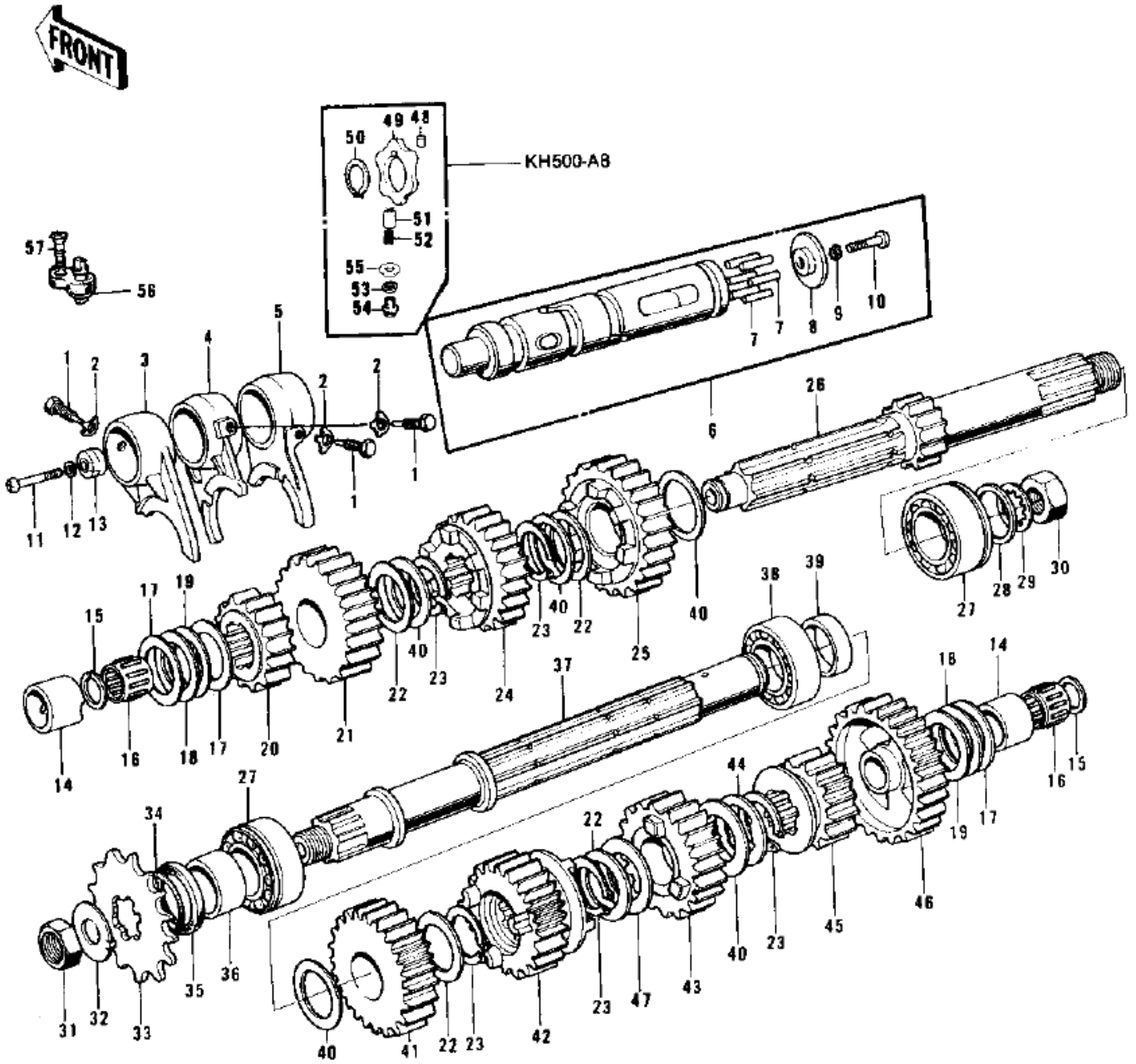


← FRONT

31- TAILLIGHT

Ref n°	Part n°	Description	Qty	Spec Code
1	23024-027-21	LAMP ASY, TAIL, BLACK	1	
2	220R0455	SCREW	4	
3	23026-022	LENS-TAIL LAMP	1	
4	23028-016	GASKET-TAIL LAMP LENS	1	
5	92069-059	BULB, 12V 32/3CP	1	
6	23027-029	CASE-TAIL LAMP	1	
7	23028-015	GASKET-TAIL LAMP CASE	1	
8	23036-020-21	BKT, LICENSE PLT, BLACK	1	
9	92001-105	BOLT	2	
10	92022-1561	WASHER, 8.5X20X1.6	2	
11	92075-091	DAMPER RUBBER	2	
12	112B0622	BOLT 6X22	3	
13	461F0600	WASHER SPRING 6MM	3	
14	92022-125	WASHER 6.5X20X1.6T	3	
15	92027-120	COLLAR 6.8X10X10.5	3	
16	92075-112	DAMPER RUBBER	3	

32- TRANSMISSION / CHANGE DRUM



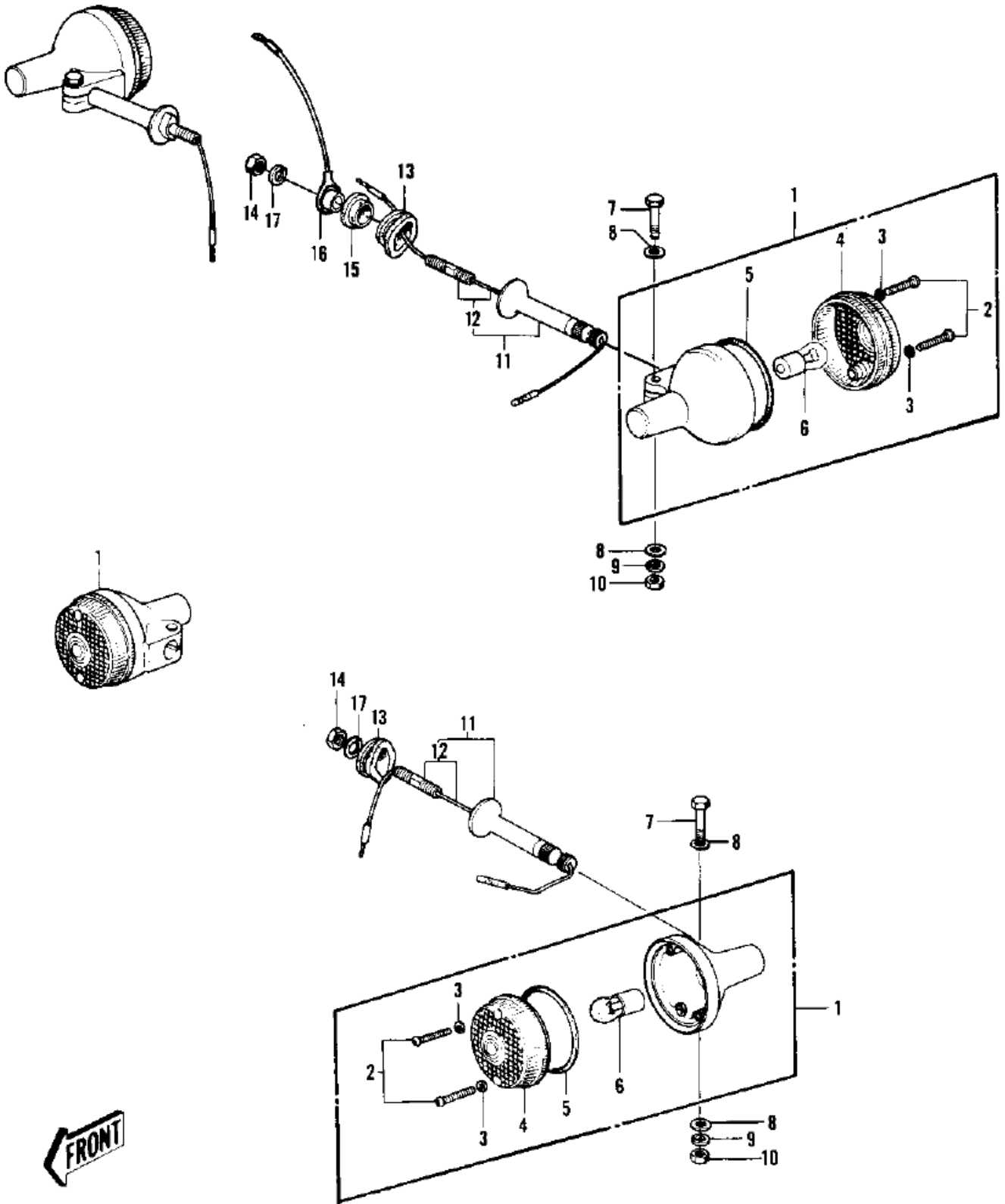
32- TRANSMISSION / CHANGE DRUM (1/2)

Ref n°	Part n°	Description	Qty	Spec Code
1	92043-016	PIN SELECT FORK GUIDE	3	
2	92031-001	WASHER LOCK 10MM	3	
3	13140-064	FORK,SELECTOR,2ND&3RD	1	
4	13140-013	FORK SELECTOR TOP	1	
5	13140-014	FORK-SELECTOR,LOW	1	H1-D/E/F
5	13140-014	FORK-SELECTOR,LOW	1	KH500-A8
6	13239-007	DRUM ASSY-GEAR CHANGE	1	H1-D/E/F
6	13239-023	DRUM ASSY,CHANGE	1	KH500-A8
7	92042-014	PIN GEAR CHANGE DRUM	6	
8	13142-004	PLATE CHANGE DRUM PIN	1	
9	464H0600	WASHER LOCK 6MM	1	
10	220B0614	SCREW PAN HEAD 6X14	1	
11	220B0625	SCREW PAN HEAD 6X25	1	
12	461F0600	WASHER SPRING 6MM	1	
13	13147-001	ROTOR NEUTRAL SWITCH	1	H1-D/E/F
13	13147-005	ROTOR TRANSMISSION	1	KH500-A8
14	92028-073	BUSH	2	
15	92033-015	CIRCLIP	2	
16	92046-010	BEARING NEEDLE	2	
17	92022-112	WASHER THRUST	3	
18	92022-144	SHIM-KICK SHAFT	2	H1-D/E/F
18	92022-223	WASHER,THRUST	2	KH500-A8
19	92022-113	WASHER THRUST	2	
20	13130-017	2ND GEAR DRIVE SHAFT	1	
21	13134-003	4TH GEAR DRIVE SHAFT	1	
22	92022-076	WASHER 25MM	4	H1-D
22	92022-161	WASHER PLAIN	4	H1-E/F, KH500-A8
23	92033-026	CIRCLIP	5	
24	13132-014	3RD GEAR DRIVE SHAFT	1	
25	13136-041	TOP GEAR-DRIVE SHAFT	1	
26	13127-019	SHAFT DRIVE	1	
27	92045-010	BEARING BALL 6205NX3	2	
28	92022-114	WASHER THRUST	1	
29	463G2000	WASHER LOCK 20MM	1	
30	92016-028	NUT 20MM	1	
31	92015-019	NUT 18MM	1	
32	92024-067	WASHER,LOCK,18MM	1	
33	13144-030	ENGINE SPROCKET 15T	1	STD
33	13144-035	ENGINE SPROCKET 14T	1	
33	13144-036	ENG SPROCKET 16T (OPT	1	
34	92055-035	"O" RING	1	
35	92050-024	OIL SEAL SC325210	1	
36	92026-1024	SPACER-ENG SPROCKET	1	
37	13128-020	SHAFT OUTPUT	1	
38	601B6005	BEARING BALL #6005	1	
39	92027-052	COLLAR	1	
40	92022-225	WASHER-THRUST	5	
41	13131-011	2ND GEAR OUTPUT SHAFT	1	
42	13135-007	4TH GEAR OUTPUT SHAFT	1	
43	13133-015	3RD GEAR OUTPUT SHAFT	1	
44	92024-033	WASHER-LOCK	1	
45	13137-010	TOP GEAR OUTPUT SHAFT	1	

32- TRANSMISSION / CHANGE DRUM (2/2)

Ref n°	Part n°	Description	Qty	Spec Code
46	13129-024	LOW GEAR OUTPUT SHAFT	1	
47	92024-072	WASHER,LOCK	1	KH500-A8
47	92022-225	WASHER-THRUST	1	H1-D/E/F
48	610A0406	PIN-DOWEL,4X6	1	KH500-A8
49	13145-006	DISC,CHANG DRUM OPRTN	1	KH500-A8
50	480J3000	CIRCLIP,30MM	1	KH500-A8
51	92043-076	PIN-NEUTRAL POSITION	1	KH500-A8
52	92081-112	SPRING	1	KH500-A8
53	92065-090	GASKET	1	KH500-A8
54	92001-131	BOLT,10MM	1	KH500-A8
55	92022-053	WASHER THRUST	1	KKH500-A8
56	13151-012	SWITCH NEUTRAL	1	
57	221B0616	SCREW CNTSNK HD 6X16	1	

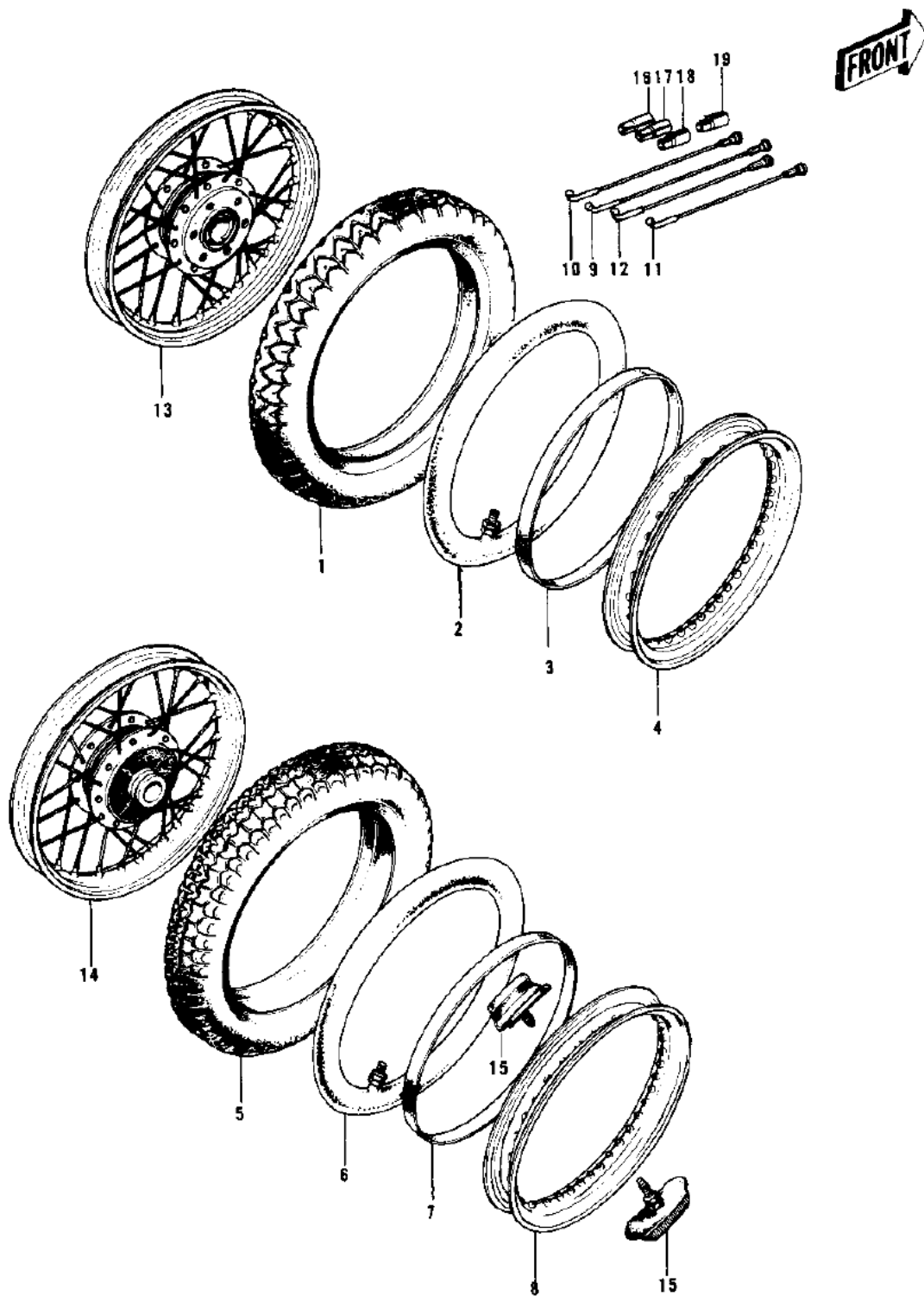
33- TURN SIGNALS



33- TURN SIGNALS

Ref n°	Part n°	Description	Qty	Spec Code
1	23040-037	LAMP ASSY-TURN SIGNAL	4	
2	220E0420A	SCREW-PAN HEAD,4X20	8	
3	23058-002	WASHER-PLAIN,4MM	8	
4	23048-1001	LENS,TURN SIGNAL LAMP	4	
5	23050-003	GASKET-SIG LAMP LENS	4	
6	92069-055	BULB 12V 32CP	4	
7	112G0630	BOLT-UPSET	4	
8	411D0600	WASHER-PLAIN,6MM	8	
9	461F0600	WASHER SPRING 6MM	4	
10	311N0600	NUT,6MM	4	
11	23078-001	BRACKET-TURN SIG LAMP	4	
12	23073-001	BOLT SET-SIG LAMP BKT	4	
13	92075-128	DAMPER RUBBER	4	
14	315B1000	NUT 10MM	4	
15	92075-158	DAMPER RUBBER,SIG LM	2	
16	23076-003	COLLAR	2	
17	461F1000	WASHER SPRING 10MM	2	

34- WHEELS / TIRES



34- WHEELS / TIRES

Ref n°	Part n°	Description	Qty	Spec Code
1	41021-029	UNAVAILABLE IN PRICE BOOK	1	H1-D/E/F
1	41021-038	TIRE 325H-19 F6B (F)	1	KH500-A8
2	41022-030	*** N.L.A.*** (Canada)	1	
2	41022-1019	TUBE,3.0/3.25/3.60-19	1	
3	41023-015	BAND RIM	1	
4	41025-051	RIM,1.8BX19W	1	H1-D/E/F
4	41025-085	RIM	1	KH500-A8
5	41021-021	UNAVAILABLE IN PRICE BOOK	1	H1-D
5	41021-030	UNAVAILABLE IN PRICE BOOK	1	H1-E/F
5	41021-039	TIRE 400H-18 K87 (R)	1	KH500-A8
6	41022-031	TUBE 350/375/410-18	1	
7	41023-1006	BAND,RIM,4.00/5.10-18	1	
8	41025-058	RIM-2-15BX18W	1	
9	41027-042	SPOKE-ASY,FR INNER	20	H1-D/E/F
9	41027-085	SPOKE-ASY,FR INNER	20	KH500-A8
10	41028-041	SPOKE-ASY,FR OUTER	20	H1-D/E/F
10	41028-084	SPOKE-ASY,FR OUTER	20	KH500-A8
11	41027-047	SPOKE-ASY,RR INNER	20	
12	41028-046	SPOKE-ASY,RR OUTER	20	
13	41074-022	WHEEL ASSY-FRONT	1	H1-D/E/F
13	41074-047	WHEEL ASSY FRONT	1	KH500-A8
14	42048-021	WHEEL ASSY.REAR	1	
15	41024-008	PROTECTOR-BEAD,2.15B	1	
16	41075-1007	WEIGHT,BALANCE,10G	AR	
17	41075-1008	WEIGHT,BALANCE,20G	AR	
18	41075-1009	WEIGHT,BALANCE,30G	AR	
19	41075-1010	WEIGHT,BALANCE,5G	AR	