

*This file is only for home and personal use.  
It's free and cannot be sold, but you can give it.*

# **500 H1 - H1 A**



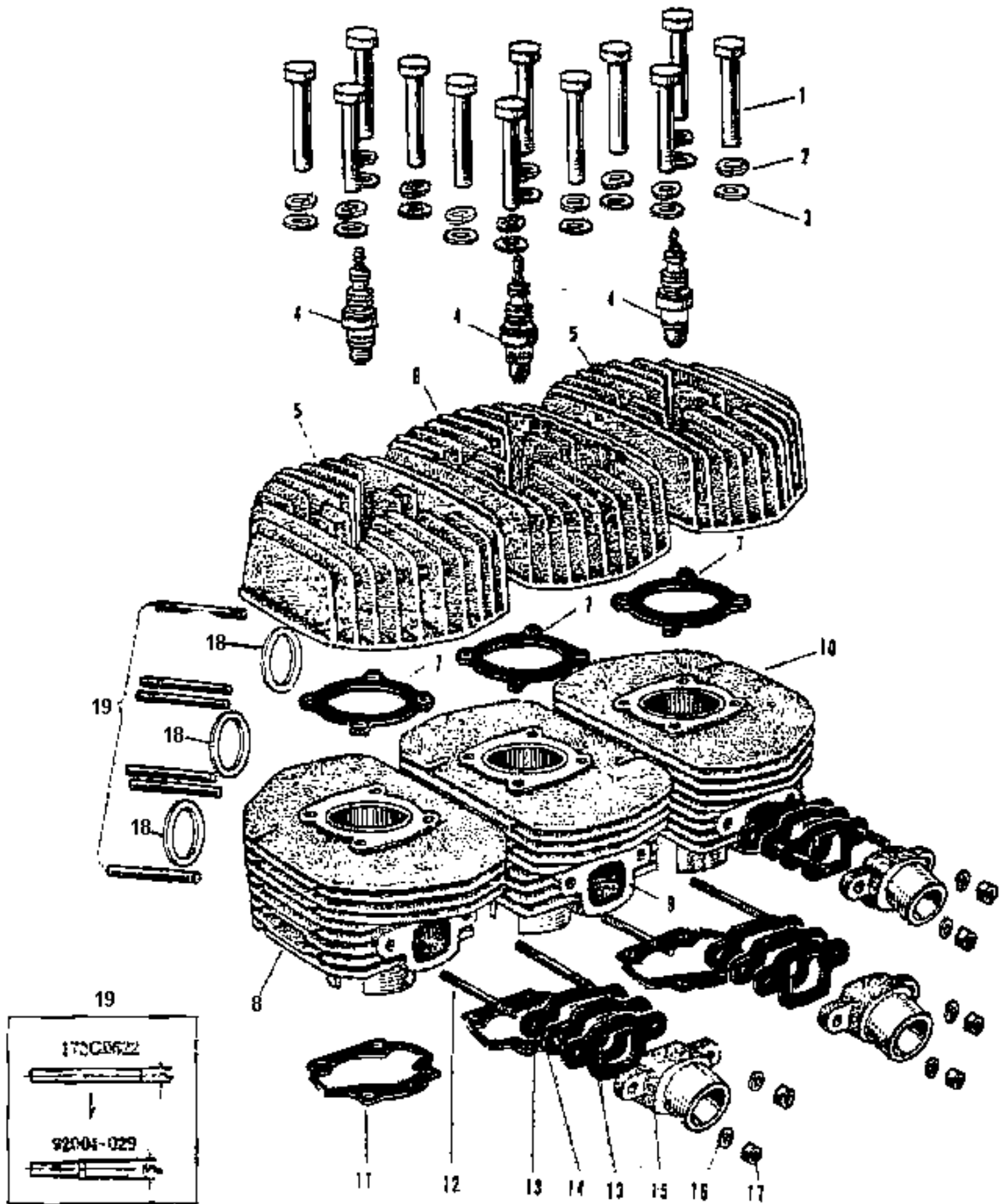
## **PARTS LIST**



**KAE 21876 à KAE 54100**  
**KAF 23626 à KAF 48762**

*Ce fichier est destiné à un usage personnel.  
Il peut être distribué, donné,  
mais en aucun cas il ne doit être vendu ou échangé à titre onéreux*

1. Cylinder head, cylinder.



Rev.1 July 1969

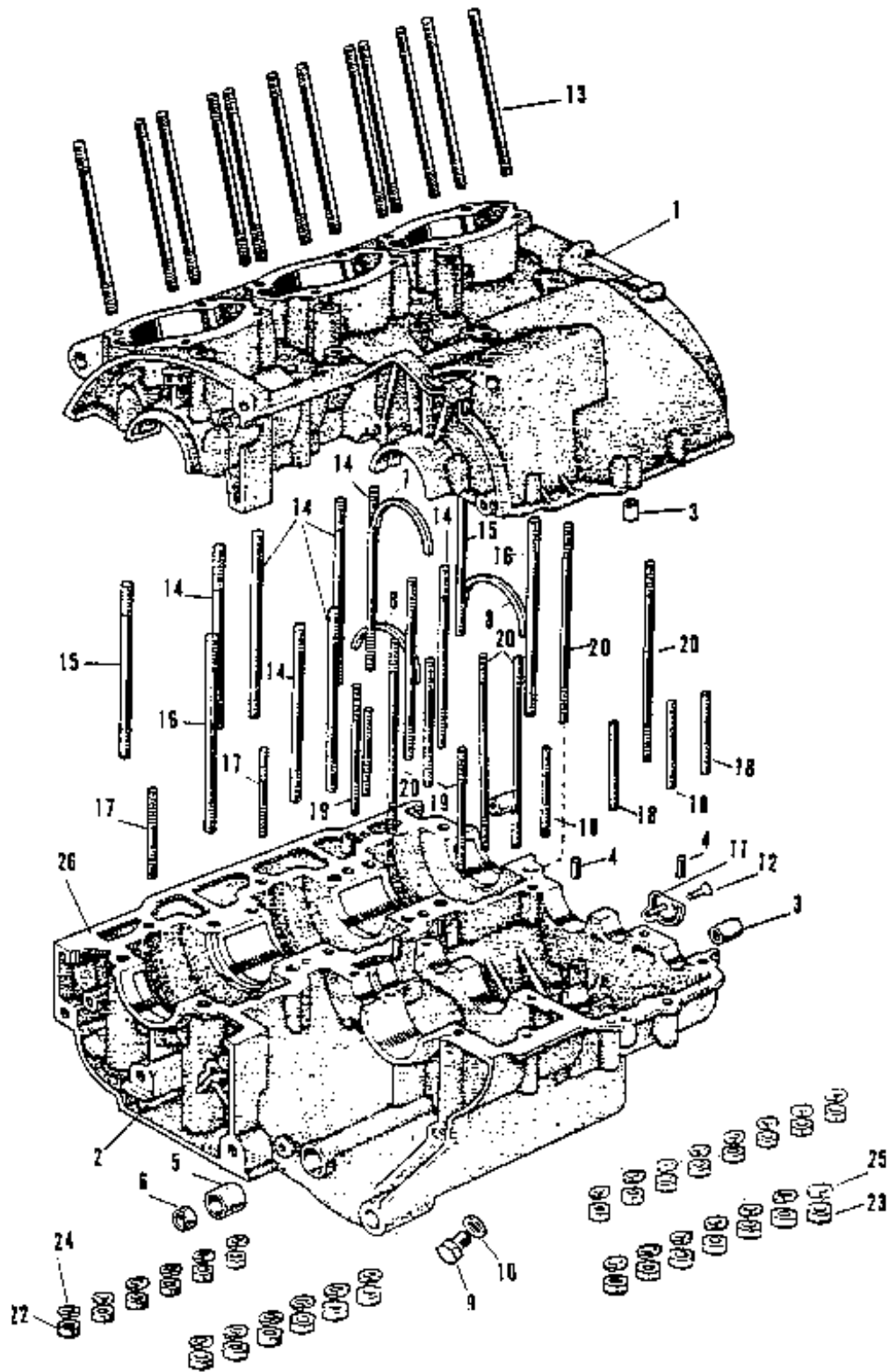
### 1. Cylinder head, cylinder.

Ref n°	D.P. n°	New parts n° (Old parts n°)	Part name	Quantity
1	1011146	92015-020 (A1010-1111)	6 m/m Nut	12
2	1064959	460E1200	12 m/m spring washer	12
3	1011154	92022-072 (A1010-1112)	8 m/m plain washer	12
4	1100572	92070-016 (787121-8310)	Spark plug UL 19V	3
5**	1116126	11001-035	Cylinder head for RH & LH WHN EXH USE 11001-064	2
6**	1116134	11001-036	Cylinder head Center WHN EXH USE 11001-065	1
		11001-065	Cylinder head	1
7**	1116142	11004-031	Cylinder head gasket WHN EXH 11004-048	3
		11004-048	Cylinder head gasket	3
8	1116169	11005-050	Cylinder with helisert insert or stud LH	1
9	1116177	11005-051	Cylinder with helisert insert or stud Center	1
10	1116185	11005-052	Cylinder with helisert insert or stud RH	1
11	1116193	11009-019	Cylinder head gasket	3
12	1043927	172G0820	8X20 Stud	6
13	1116207	16062-011	Air inlet gasket	6
14	1116215	16061-010	Heat insulator	3
15	1116223	16060-009	Air inlet	3
16	1064932	460E0800	8 m/m Spring washer	6
17	1063065	316B0800	8 m/m Nut	6
18	1011375	18067-008 (A1010-1473)	Exhaust pipe gasket	3
19	1096389	172G0622	6X20 Stud	6
19*	1125265	92004-029	Stud	6

\*Rev. 1 July 1969

\*\*Rev.29 Feb. 1972

## 2. Crankcase.



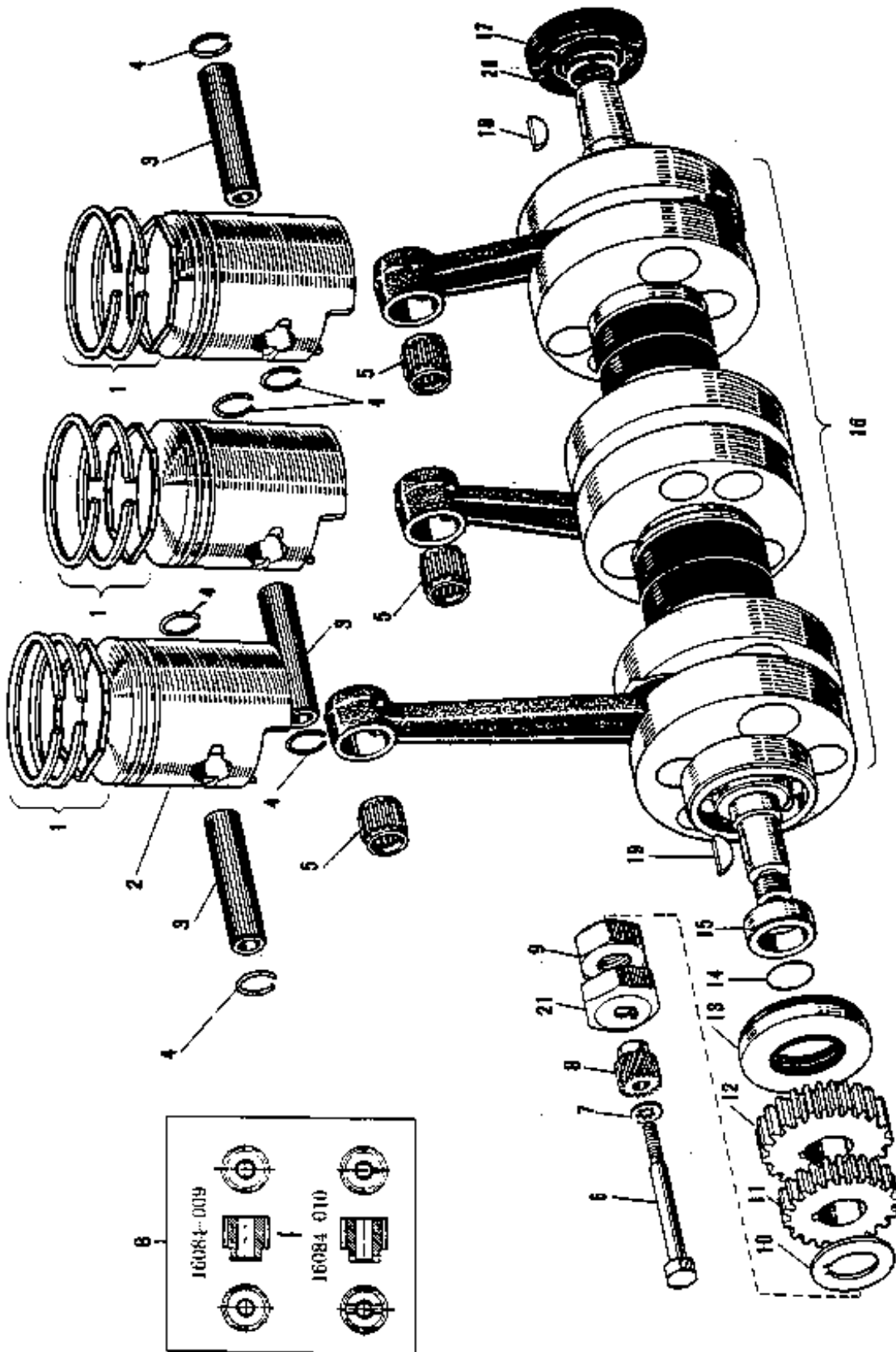
## 2. Crankcase.

Ref n°	D.P. n°	New parts n° (Old parts n°)	Part name	Quantity
1->5	1116258	14001-030	Crankcase set	1
3	1067508	552A1014	10X14 Dowel pin	4
4	1116266	92042-016 (A1010-4113)	6 m/m Dowel pin	4
5	1116274	92028-071	Gear change pedal shaft bushing	1
6	1012916	92049-004 (A1010-4232)	SB11205 Oil seal	1
7*	1012797	14013-001 (A1010-4112)	62 m/m setting ring	1
8*	1116282	14013-004	Bearing setting ring	2
9	1024167	92067-001 (B1050-7401)	Oil dran plug	1
10**	1060503	92065-011 (310-9112)	Oil drain plug gasket	1
11	1012789	14015-001 (A1010-4111)	Oil receiver	1
12*	1052985	221B0616	6X16 Countersunk head screw	1
13	1096508	172G0875	8X75 Stud	12
14	1096516	172G1060	10X60 Stud	8
15	1096524	172G1075	10X75 Stud	2
16	1096532	172G1090	10X90 Stud	2
17*	1043889	172G0620	6X20 Stud WHN EXH USE 172G0622	(3)
	1096389	172G0622	6X22 Stud	3
18	1043897	172G0635	6X35 Stud	4
19	1096419	172G0650	6X50 Stud	3
20	1096427	172G0675	6X75 Stud	4
21	1096435	172G0685	6X85 Stud	1
22	1121285	316B1000	10 m/m Nut	12
23	1054872	310B0600	6 m/m Nut	15
24	1074423	460E1000	10 m/m Spring washer	12
25	1064924	460E0600	6 m/m Spring washer	15
26	1055062	92104-002 (310-0203)	Liquid gasket	AR

\*Rev.15 April 1970

\*\*Rev. 29 Feb. 1972

## 2. Pistons, Crankshaft.



Rev. 1 July 1969

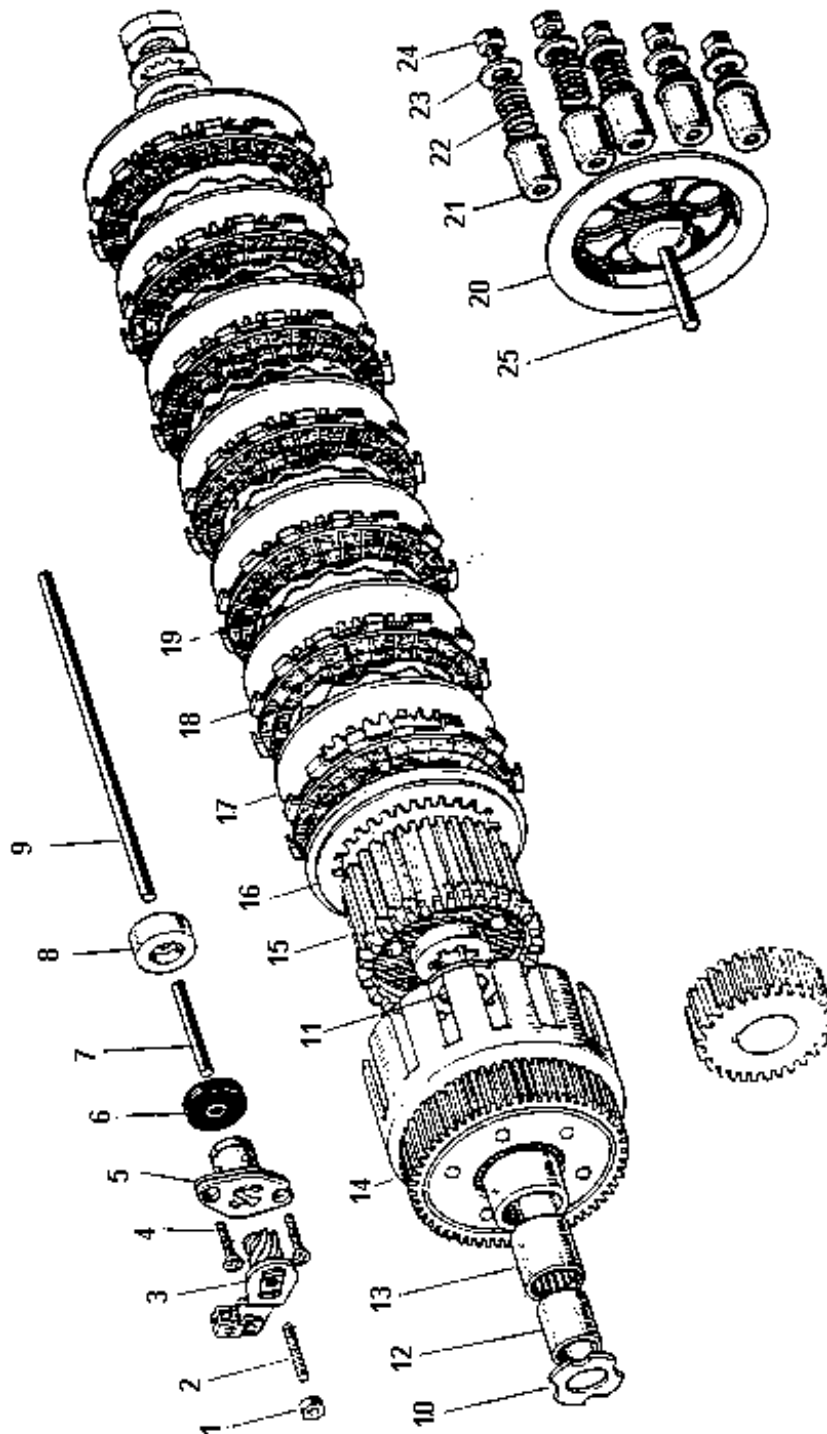
5 @ machIV.com

## 2. Pistons, Crankshaft.

Ref n°	D.P. n°	New parts n° (Old parts n°)	Part name	Quantity
1	1116304	13008-020	Piston ring set STD	1
	1116312	13025-020	Piston ring set 0.020 Over size	
	1116339	13024-020	Piston ring set 0.040 Over size	
2	1116347	13001-031	Piston STD	3
	1116355	13029-031	Piston 0.020 Over size	
	1116363	13027-031	Piston 0.040 Over size	
3	1033158	13002-010 (F2050-3103)	Piston pin	2
4	1023535	92036-004 (B1050-3104)	Piston pin circlip	6
5	1116398	13033-016	Small end needle bearing KTV162022	3
6	1116428	92001-060	Oil pump pinion fitting bolt	1
7	1065254	463H0600	6 m/m toothed lock washer	1
8	1116436	16084-009	Oil pump pinion WHN EXH USE 16084-010	(1)
8*	1125222	16084-010	Oil pump pinion	1
9	1011766	92015- 019 (A1010-3236)	18 m/m nut	1
10	1116444	92024-015	18 m/m clawed lock washer	1
11	1116452	21146-001	Distributor pinion	1
12	1116479	13121-013	Primary gear WHN EXH USE 13121-014	(1)
12*	1123197	13121-014	Primary gear	1
13	1116487	92050-023	TC326210 Oil seal	1
14	1011774	92055-018 (A1010-3237)	22 m/m « O » ring	1
15	1116495	92027-031 (A1010-3233)	Crankshaft collar	1
16	1116509	13031-032	Crankshaft & connecting rod assy	1
17	1116517	92050-022	TC255210 Oil seal	1
18	1097679	510A5200	Woodruff key	1
19	1042106	92038-001 (000-0331)	Woddruff key	1
20*	1124625	92036-012	Circlip	1
21*	1125249	92024-021	Lock washer	1

\*Rev. 1 july 1969

#### 4. Clutch.





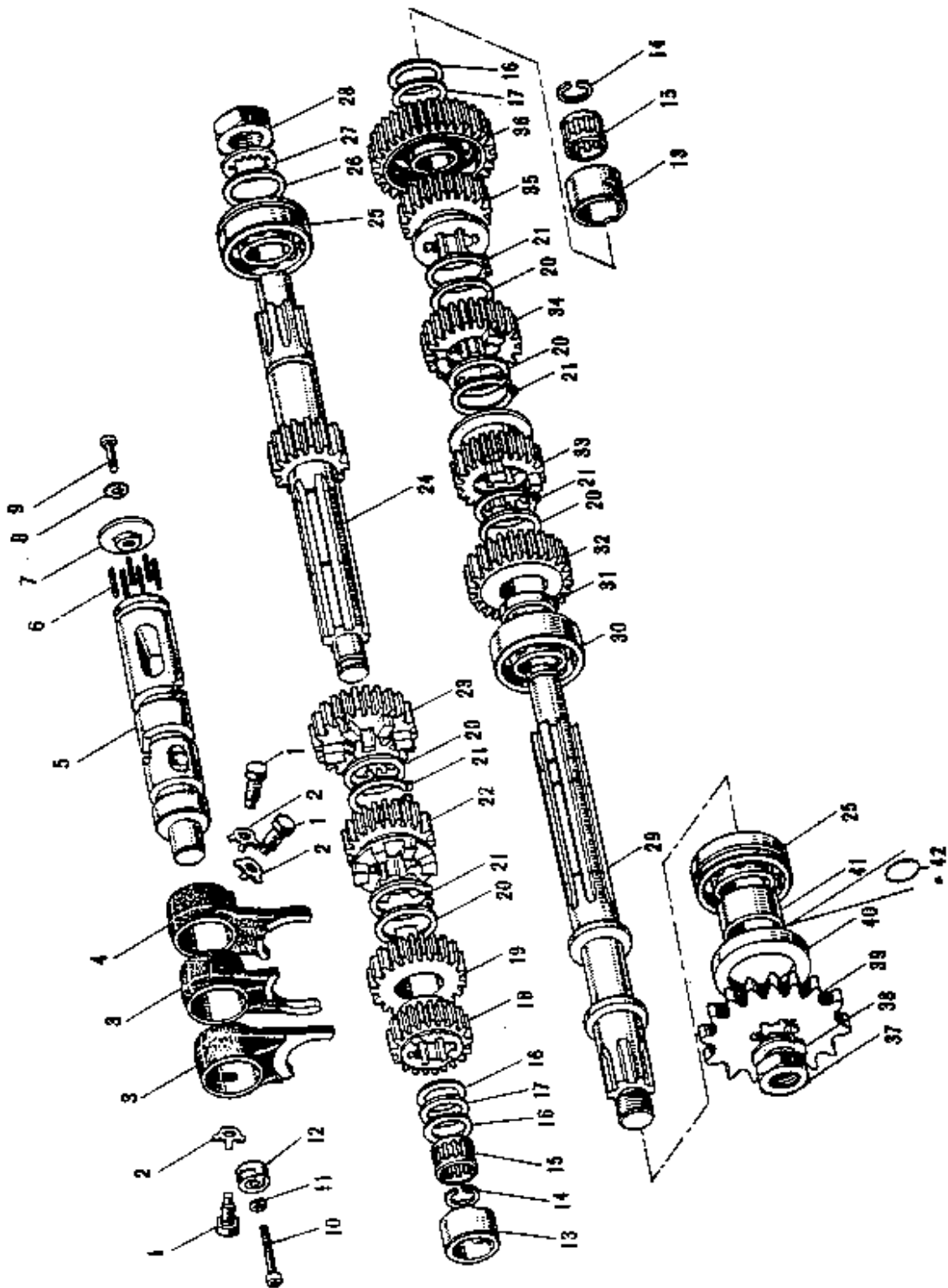
#### 4. Clutch.

Ref n°	D.P. n°	New parts n° (Old parts n°)	Part name	Quantity
1	1121235	311B0600	6 m/m nut	1
	1054872	310B0600	6 m/m nut	ALT
2	1054848	291Z0622	6X22 Slotted screw	1
3**	1116525	13102-009	Clutch release inner WHN EXH USE 13102-014	1
		13102-014	Clutch release inner	1
4	1052985	221B0616	6X16 Countersunk head screw	2
5	1116533	13118-004	Clutch release outer	1
6	1116568	92050-025	SC7317 Oil seal	1
7	1116576	13116-010	Clutch push rod L=49 m/m	1
8	1116592	92028-070	Push rod bushing	1
9	1116584	13116-009	Clutch push rod L=195 m/m	1
10	1116606	92023-119	Thrust washer	1
11	1012207	92026-022	Clutch thrust washer	1
		(A1010-3592)		
12->24	1116649	13081-023	Clutch assy	1
12	1116614	92028-081	Bushing	1
13	1012215	92046-004	Needle bearing	1
		(A1010-3593)		
13,14	1116622	13095-018	Clutch housing	1
15	1116657	13087-014	Clutch hub	1
16	1116665	13090-011	Clutch outer plate	1
17	1116673	13089-013	Clutch steel plate	8
18	1116703	13088-015	Clutch friction plate	7
19	1116738	13229-001	Clutch steel ring	7
20	1116746	13090-012	Clutch spring plate	1
21	1116754	13092-005	Clutch spring guide	5
22	1116762	92081-042	Clutch spring	5
23	1116789	13091-009	Clutch spring holder	5
24	1042483	110B0618	6X18 hex head bolt	5
25*		13116-011	Clutch spring plate pusher	1

\*Rev. 15 April 1970

\*\*Rev. 29 Feb. 1972

5. Transmission gears (1/2).

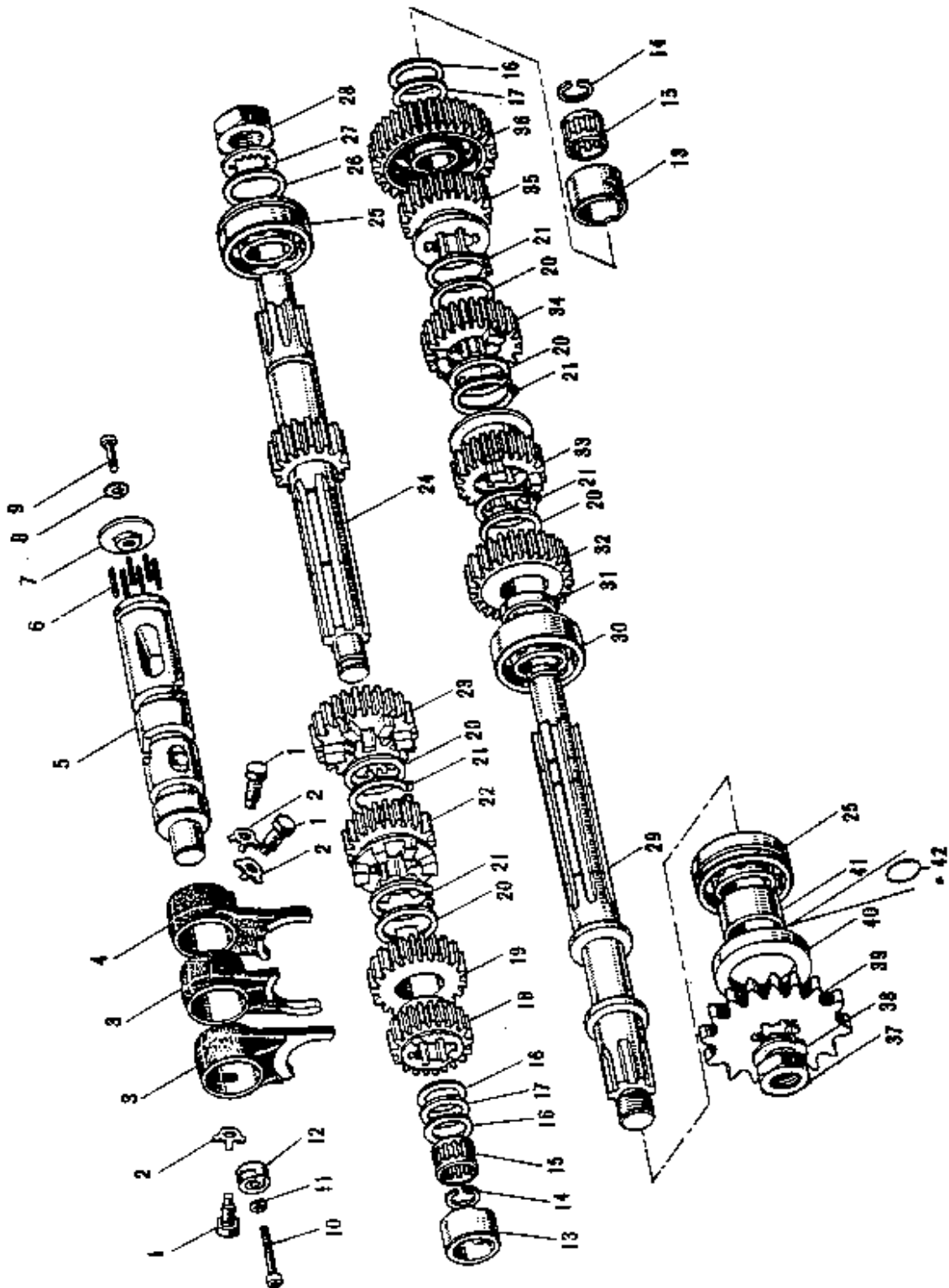


\*Rev.29 Feb. 1972

### 5. Transmission gears (1/2).

Ref n°	D.P. n°	New parts n° (Old parts n°)	Part name	Quantity
1	1012444	92043-016 (A1010-3618)	Selector fork guide pin	3
2	1012452	92031-001 (A1010-3619)	10 m/m lock washer	3
3	1012428	13110-013 (A1010-3613)	Selector fork top	2
4	1018353	13140-014 (A1510-3612)	Selector fork low	1
5	1116819	13141-023	Gear change drum	1
6	1102966	92042-014 (725100-3637)	Gear change drum pin	6
7	1012509	13142-004 (A1010-3623)	Gear change drum pin plate	1
8	1065327	464H0600	6 m/m toothed lock washer	1
9	1052578	220B0612	6X12 Pan head screw	1
10	1052624	220B0625	6X25 Pan head screw	1
11	1065025	461E0600	4 m/m spring washer	1
12	1116827	13147-001 (000-0680)	Neutral indicator switch rotor	1
13	1116835	92028-073	Bushing	2
14	1116843	92033-015	Circlip	2
15	1116878	92046-010	Needle bearing KT 202513	2
16	1116886	92022-112	Thrust washer Steel	3
17	1116894	92022-113	Thrust washer Phosphor-bronze	2
18	1116908	13130-017	Drive shaft 2nd gear 20 teeth	1
19	1022482	13134-003 (A7010-3624)	Drive shaft 4th gear 25 teeth	1
20	1012576	92022-076 (A1010-3629)	25 m/m washer	5
21	1120867	92033-010 (A1010-3637)	24 m/m circlip	5
22	1116916	13132-014	Drive shaft 3rd gear 23 teeth	1
23	1116916	13136-022	Drive shaft top gear 26 teeth	1
24	1116932	13127-019	Drive shaft 15 teeth	1
25	1116959	92045-010	6205N Ball bearing	2
26	1116967	92022-114	Thrust washer	1
27	1121359	463G2000	20 m/m toothed lock washer	1

5. Transmission gears (2/2).



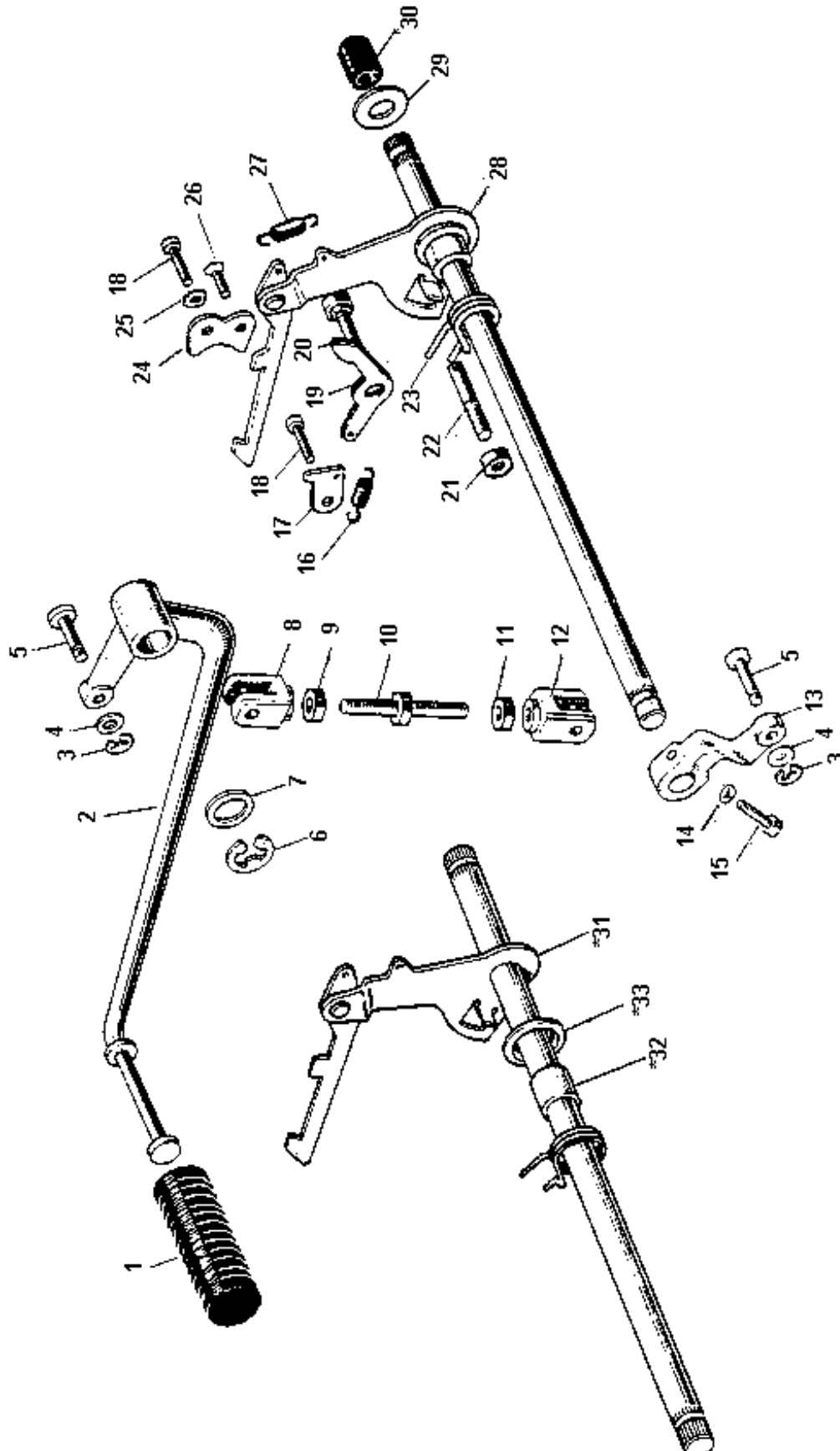
\* Rev. 29 feb.1972

### 5. Transmission gears (2/2).

Ref n°	D.P. n°	New parts n° (Old parts n°)	Part name	Quantity	
28	1116975	62016-028	20 m/m nut	1	
29	1116983	13128-020	Output shaft	1	
30	1097849	601B6005	6005 ball bearing	1	
31	1117009	92027-052	Collar	1	
32	1117017	13131-011	Output shaft 2nd gear	28 teeth	1
33	1117025	13135-007	Output shaft 4th gear	23 teeth	1
34	1117033	13133-015	Output shaft 3rd gear	25 teeth	1
35	1117068	13137-010	Output shaft top gear	21 teeth	1
36	1117076	13129-024	Output shaft low gear	33 teeth	1
37	1011766	92015-019 (A1010-3236)	18 m/m nut	1	
38	1011758	92024-006 (A1010-3235)	18 m/m clavel lock washer	1	
39	1117084	13144-030	Engine sprocket (15 t)	STD	1
	1117092	13144-036	Engine sprocket (16 t)	Option	1
	1117114	13144-035	Engine sprocket (14 t)	Option	1
40	1117114	92050-024	SC325210 oil seal		1
41	1012568	92026-027 (A1010-3628)	Engine sprocket spacer		1
42*		92055-035	« o » ring		1

\*Rev. 29 feb.1972

## 6. Gear change mechanism.



\*Rev, 29 Feb. 1972

13 @ machIV.com

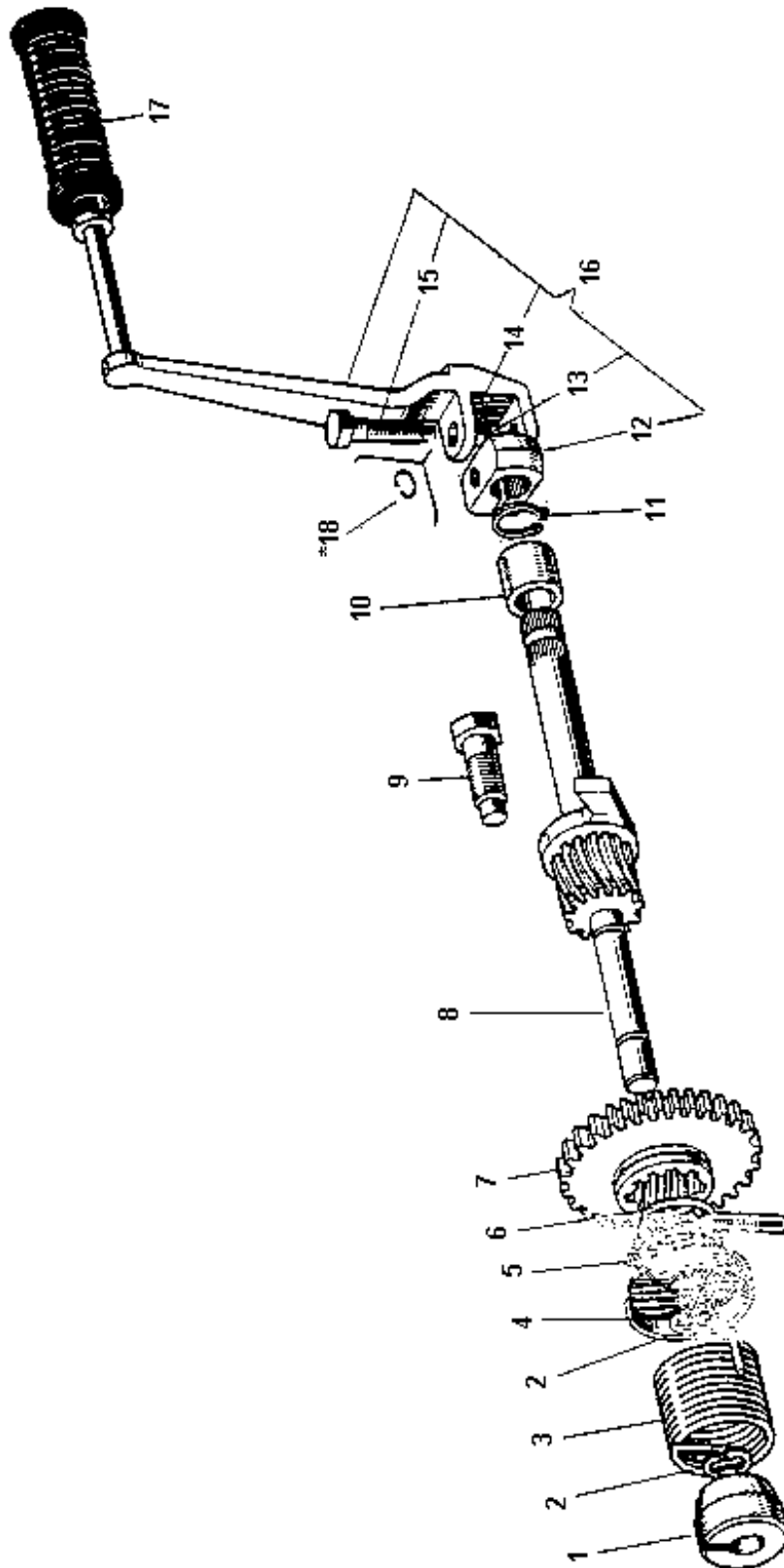
## 6. Gear change mechanism.

Ref n°	D.P. n°	New parts n° (Old parts n°)	Part name	Quantity
1	1012657	13157-004 (A1010-3702)	Gear change pedal rubber	1
2	1117122	13156-026	Gear change pedal	1
3	1121308	482K5000	5 m/m circlip	2
4	1064703	410B0600	6 m/m plain washer	2
5	1117149	92043-024	Joint pin	2
6	1121294	482K0200	12 m/m circlip	1
7	1015303	92022-085 (A1020-2615)	Brake pedal fitting washer	1
8	1117157	13159-005	Joint (clockwise-thread)	1
9	1074407	318B0800	8 m/m nut	1
10	1117165	92003-040	Rod	1
11	1117173	92017-004	8 m/m nut (counterclockwise-thread)	1
12	1117203	13159-006	Joint (counterclockwise-thread)	1
13	1117238	13158-004	Gear change pedal lever	1
14	1065025	461E0600	6 m/m spring washer	1
15	1042506	110B0620	6X20 hex head bolt	1
16	1012673	92081-024 (A1010-3715)	Gear change drum lever spring	1
17	1012703	13170-004 (A1010-3719)	Gear change drum lever fitting plate	1
18	1052594	220B0616	6X16 pan head screw	2
19	1117246	13168-012	Gear change drum lever	1
20	1045253	92001-012 (2010-3716)	Gear change drum lever bolt	1
21	1062883	312B0800	8 m/m nut H = 7 m/m	1
22*	1061739	92043-009 (311-0713)	Gear change pedal return spring pin WHN EXH USE 92043-057	(1)
			Gear change pedal spring pin	1
23	1056263	92083-002 (310-0712)	Gear change pedal return spring	1
24	1117254	13169-005	Gear change drum positioning plate	1
25	1065327	464H0600	6 m/m toothed lock washer	1
26*	1051512	212B0616	6X16 countersunk head screw	1
27	1045202	92081-011 (2010-3711)	Gear change lever spring	1
27,28**	1117262	13161-014	Gear change lever assy WHN EXH USE 13161-024 & 92027-121 & 92026-068	1
29	1117289	92022-111	Plain washer	1
30	1121774	13080-004	Rubber cap	1
31**		13161-024	Gear change lever assy	1
32**		92027-121	Collar	1
33**		92026-068	Spacer	1

\*Rev, 15 April 1970

\*\*Rev, 29 Feb. 1972

7.Kickstarter mechanism.



\*Rev.15 April 1970

15 @ machIV.com

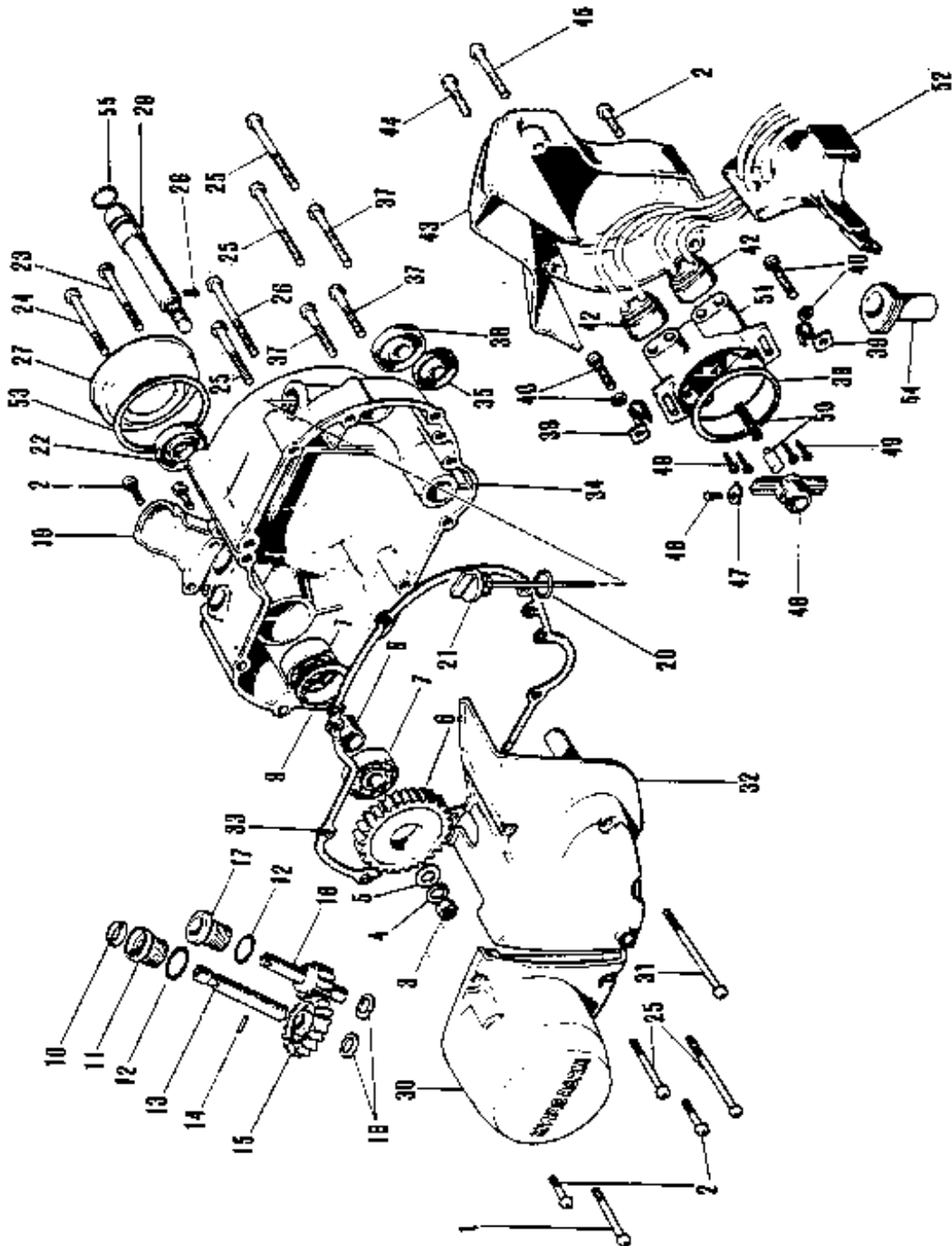


### **7.Kickstarter mechanism.**

<b>Ref n°</b>	<b>D.P. n°</b>	<b>New parts n° (Old parts n°)</b>	<b>Part name</b>	<b>Quantity</b>
1	1056492	13070-001 (310-0824)	Kickstarter spring guide	1
2	1065483	482J0100	10 m/m circlip	2
3	1011936	92081-021 (A1010-3455)	Kickstarter spring	1
4	1056484	13071-003 (310-0823)	Kickstarter spring holder plate	1
5	1097628	480J2600	6 m/m circlip	1
6	1117297	13077-002	Kickstarter gear holder	1
7	1117319	13068-015	Kickstarter gear	1
8	1117327	13066-013	Kickstarter shaft	1
9	1011987	13072-006 (A1010-3465)	Kickstarter stopper	1
10	1117335	92028-072	Bushing	1
11	1065394	480J1600	16 m/m circlip	1
12	1121383	13061-007	Kickstarter pedal boss	1
13	1067524	600A0800	1/4 steel bearing	1
14	1011863	92081-020 (A1010-3444)	Kickstarter pedal spring	1
15	1121405 1011847	92001-071 92001-029 (A1010-3442)	10 m/m bolt 10 m/m bolt	1 ALT
16	1117343	13058-025	Kickstarter pedal complete	1
17	1011898	1063-004 (A1010-3451)	Kickstarter pedal rubber	1
18*		92095-011	Washer	1

*\*Rev.15 April 1970*

8. Engine covers, tachometer, distributor (1/2).

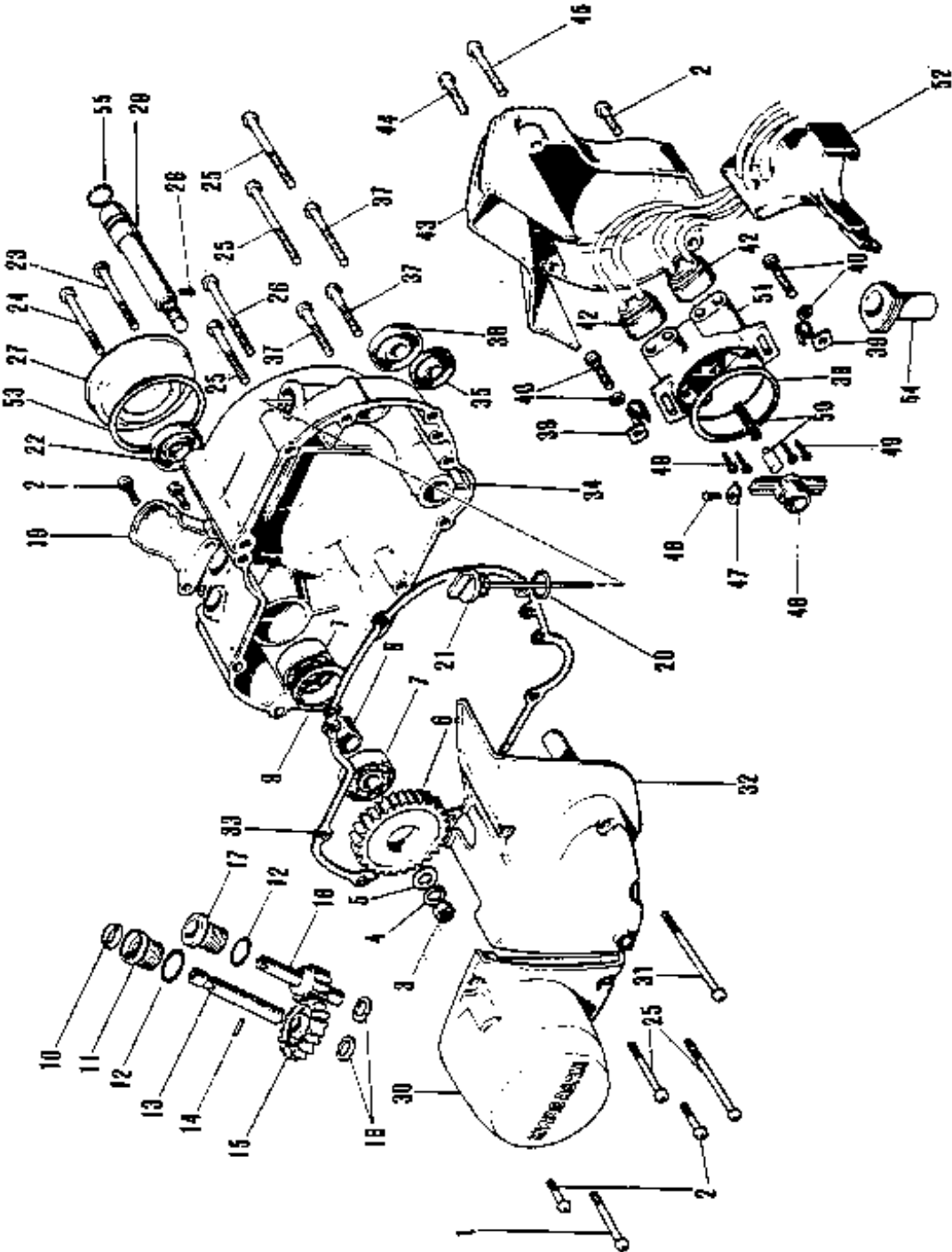


**8. Engine covers, tachometer, distributor (1/2).**

Ref n°	D.P. n°	New parts n° (Old parts n°)	Part name	Quantity
1	1052659	220B0640	6X40 pan head screw	1
2	1052608	220B0620	6X20 pan head screw	5
3	1054872	310B0600	6 m/m nut	1
4	1065025	461E0600	6 m/m spring washer	1
5	1117378	92022-116	Plain washer	1
6	1117386	21147-001	Distributor gear	1
7	1121324	601B6001	6001 ball bearing	2
8	1117394	92027-051	Collar	1
9	1121634	481J2800	28 m/m circlip	1
10	1041452	92054-004 (w2310-9104)	SB12205 OIL SEAL	1
11	1117408	92028-075	Bushing	1
12	1117416	92055-025	« O » ring	2
13	1117424	13226-004	Tachometer gear shaft	1
14	1117432	92042-015	Dowel pin	1
15	1117459	13224-005	Tachometer gear	1
16	1013289	92026-026 (A1010-7133)	Tachometer gear thrust washer	2
17	1117467	92028-074	Bushing	1
18	1117475	16085-011	Oil pump gear	1
19*	1117483	14030-014 (1)14030-024	Oil pump lever cover WHN EXH USE 14030-024 Aluminium Oil pump lever cover Resin	(1) 1
20	1073435	640B2020	20 m/m « o » ring	1
21	1117505	16115-001 (M50050-7403)	Oil filler plug	1
22	1117513	92049-008	TB15256 Oil seal	1
23	1052624	220B0625	6X25 pan head screw	1
24	1121065	220B0680	6X80 pan head screw	2
25	10526832	20B0655	6X55 pan head screw	5
26	1052706	220B0660	6X60 pan head screw	1
27*	1117548	21144-001 (1)21144-002	Distributor insulator WHN EXH USE 21144-002 Distributor insulator	(1) 1

\*Rev.15 April 1970

8. Engine covers, tachometer, distributor (2/2).

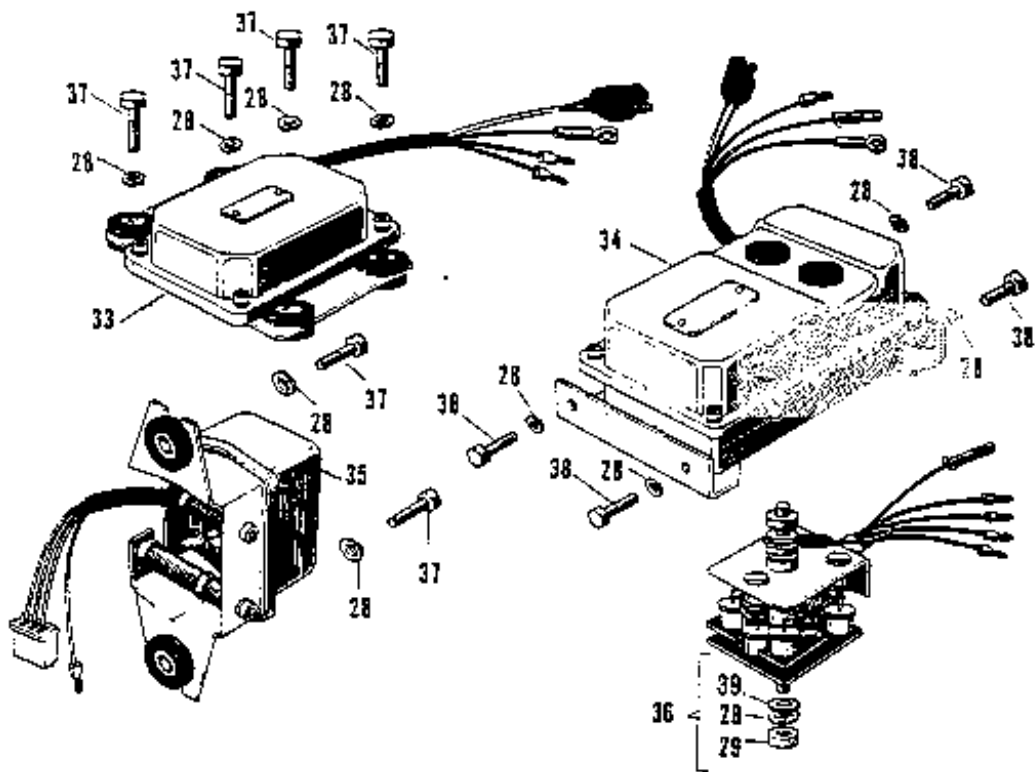
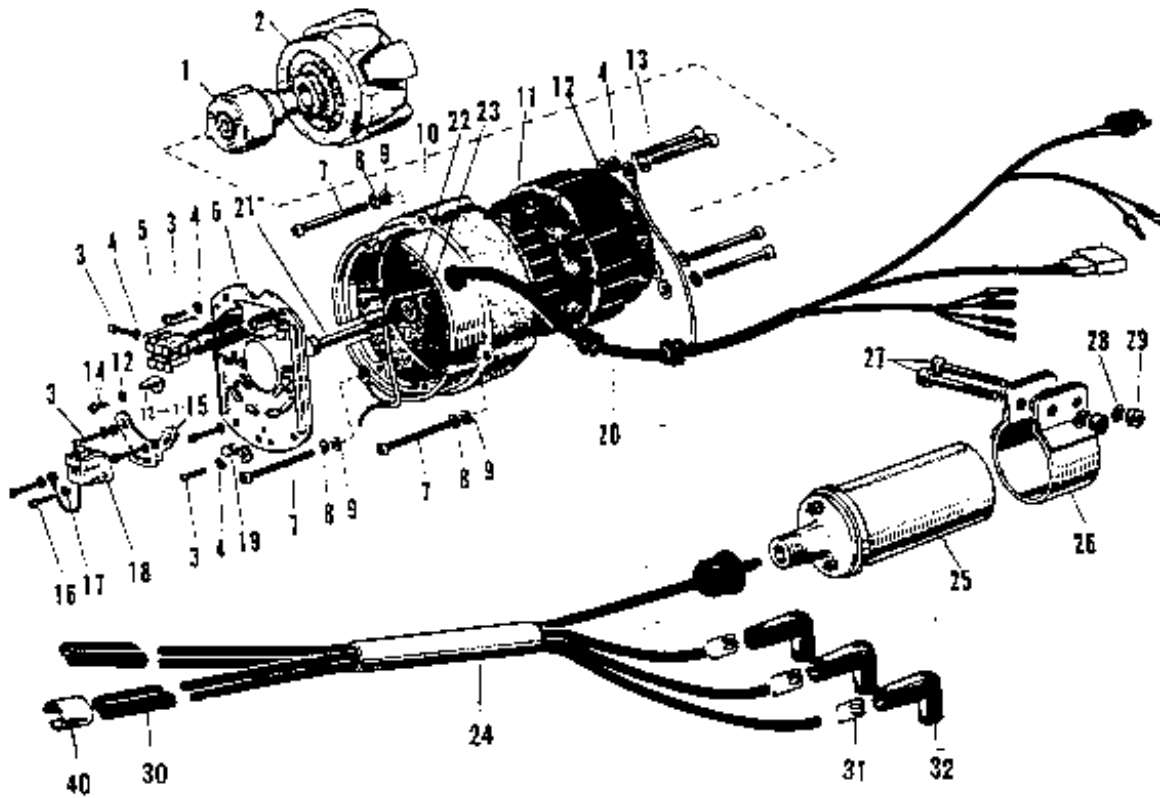


**8. Engine covers, tachometer, distributor (2/2).**

Ref n°	D.P. n°	New parts n° (Old parts n°)	Part name	Quantity
28	1121367	551A0308	3X8 dowe pin	1
29*	1117556	21143-001	Distributor shaft E/n° 8800 & below	1
		(1) 21143-002	Distributor shaft E/n° 8801 & above	1
30	1117564	14031-030	L.H. engine cover	1
31	1121073	220B0685	6X85 pan head screw	1
32	1117572	14026-004	Front chain cover	1
33	1117599	14046-014	R.H. engine cover gasket	1
34	1117602	14032-042	R.H. engine cover	1
35	1012916	92049-004 (A1010-4232)	SB12205 oil seal	1
36	1045474	92049-002 (2010-4312)	SB16244 oil seal	1
37	1074458	220B0630	6X30 pan head screw	3
38	1117629	92065-048	Gasket	1
39	1117637	21149-001	Distributor clamp	2
40	1121197	223B0410A	4X10 pan head screw I.S.O. thread	2
42	1117645	92071-031	Distributor grommet	2
43*	1117654	14030-013	Oil pump cover E/n° 8800 & below	1
		(1) 14030-025	Oil pump cover E/n° 8801 & above	1
44	1052667	220B0645	6X45 pan head screw	1
45	1121103	220B06100	6X100 pan head screw	1
46	1117688	92011-016	4X16 hex head bolt I.S.O. thread	1
47	1117696	92024-013	4 m/m lock washer	1
48*	1117718	21142-001	Distributor rotor WHN EXH USE 211426003	(1)
		21142-003	Distributor rotor E/n° 8800 & below	1
		(1) 21142-002	Distributor rotor E/n° 8801 & above	1
49	1117726	92100-001	High tension cord fitting screw	4
50	1117734	21088-008	Center carbon brush	1
51	1117742	21141-001	Distributor cap	1
52*		92071-040	High tension cord gromment E/n° 8800 & below	1
		(1) 92071-043	High tension cord gromment E/n° 8801 & above	1
53*		(1) 92065-072	Gasket	1
54*		(1) 16116-005	Gromment E/n° 8801 & above	1
55*		(1) 92036-016	Circlip	1

\*Rev. 15 April 1970

9. Electrical equipment for engine (1/2).

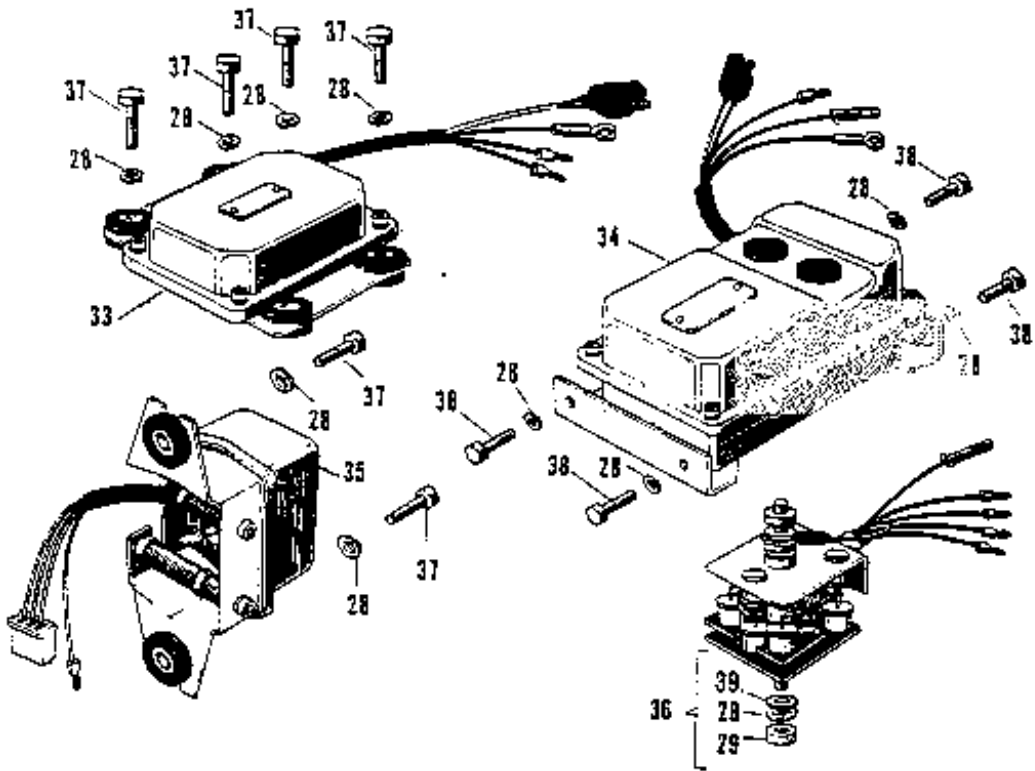
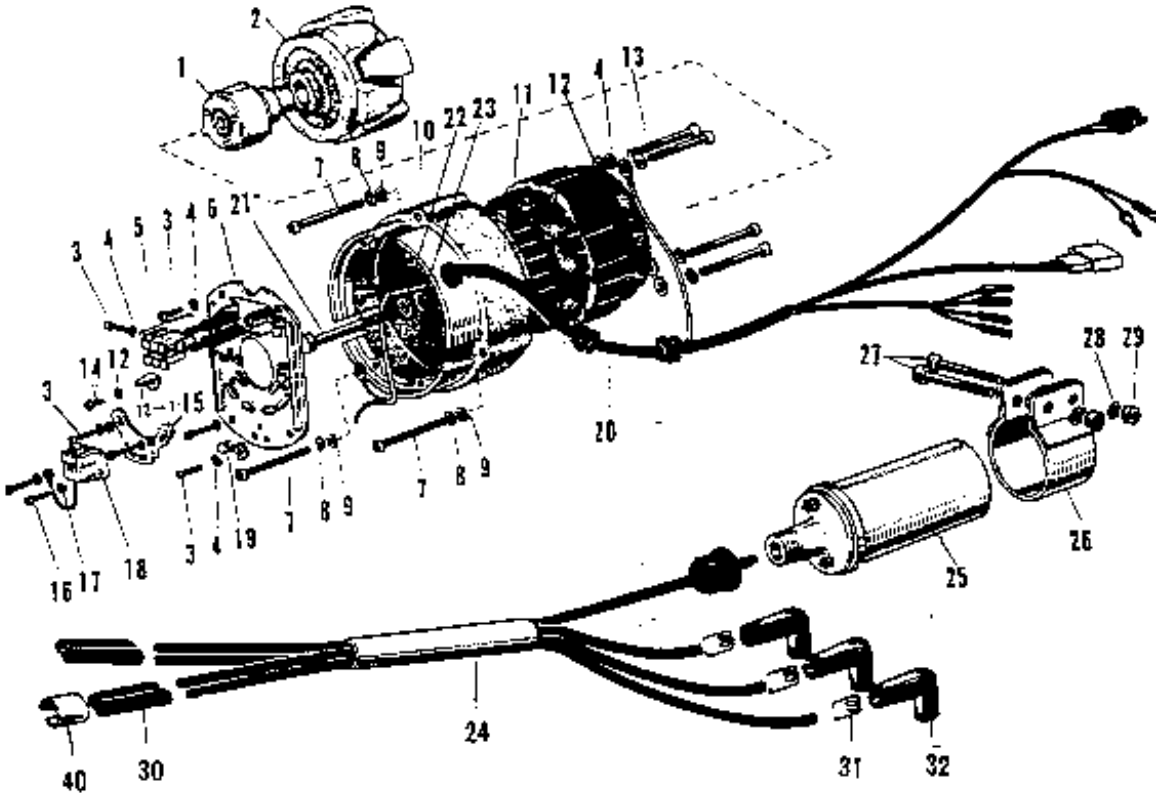


### 9. Electrical equipment for engine (1/2).

Ref n°	D.P. n°	New parts n° (Old parts n°)	Part name	Quantity
1	1117777	21007-011	S.G. rotor	1
2	1117785	21007-012	Rotor	1
3->20	1117793	21076-007	Yoke assy	1
3	1092278	21085-004 (311-9211)	4x8 pan head screw ISO Thread	8
4	1091336	461F0400	4 m/m spring washer	12
5	1117807	21088-009	Carbon brush & holder	1
6*		21155-001	Yoke plate	1
7	1121189	220E0555A	5X55 pan head screw ISO Thread	3
8	1065114	461F0500	5 m/m spring washer	3
9	1064819	411B0500	5 m/m plain washer	3
12	1097458	411B0400	4 m/m plain washer	4
12-1*		21020-020	Ignition timing pointer	1
13	1094963	21022-001 (2011-8102-2)	4x25 pan head screw ISO Thread	4
14	1091913	21085-006 (311-9212)	4x5 pan head screw ISO Thread	1
15*		21156-001	Pick up plate	1
16	1121006	220B0310A	3X10 pan head screw ISO Thread	2
17	1065106	461F0300	3 m/m spring washer	2
18	1121782	21152-002	Pick up	1
19*		21098-007	Lead wire clamp	2
20	1117815	21029-009	Wiring harness complete	1
21	1120883	110B0873	8X73 Hex head bolt	1
22	1065149	461F0800	8 m/m spring washer	1
23	1064835	411B0800	8 m/m plain washer	1
24*	1117823	21150-001	High tension cord assy E/n° 8800 & below	1
		(1) 21150-002	High tension cord assy FURUKAWA	1
		(1) 21150-003	High tension cord assy BELDEN E/n° 8800 & above	1
25,26	1117858	21121-032	Ignition coil	1
26	1117866	21126-003	Ignition coil band	1
27	1042564	110B0635	6X35 hex head bolt	2
28	1065122	461F0600	6 m/m spring washer	14
29	1054872	310B0600	6 m/m nut	4
30*	11177874	92115-001	High tension cord protector WHN EXH USE	(2)
		92115-002	High tension cord protector	2
31	1111124	92101-001 (787121-8334)	Spark plug cap spring	3
32	1121634	21130-009 (787121-8331)	Spark plug cap	3

\*Rev.15 April 1970

9. Electrical equipment for engine (2/2).

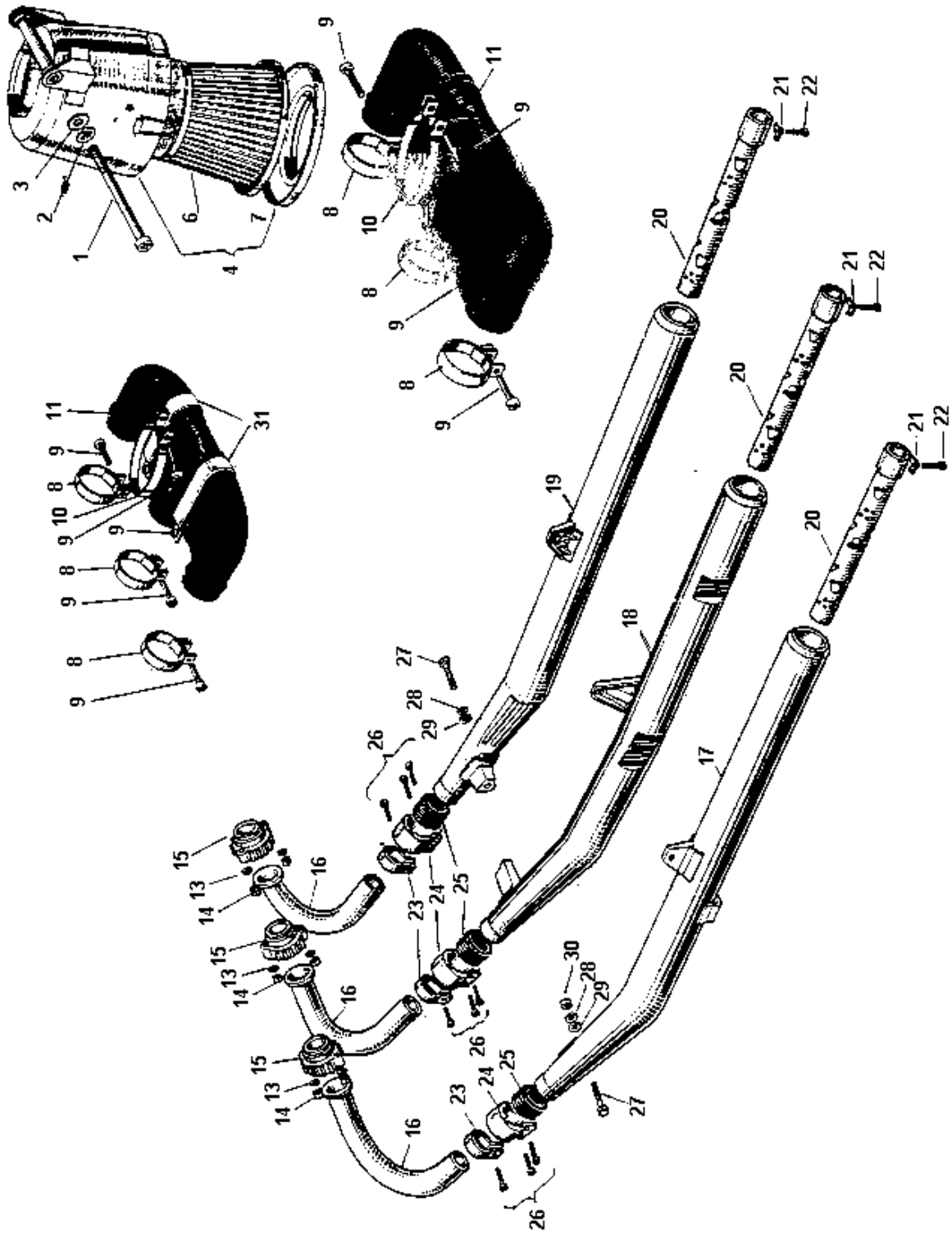




### **9. Electrical equipment for engine (2/2).**

<b>Ref n°</b>	<b>D.P. n°</b>	<b>New parts n° (Old parts n°)</b>	<b>Part name</b>	<b>Quantity</b>
33	1117882	21119-006	Ignition unit (A)	1
34	1117904	21120-004	Ignition unit (B)	1
35	1117912	21072-004	Voltage regulator	1
36	1117939	21061-008	Rectifier	1
37	1042483	110B0618	6X18 hex head bolt	6
38	1042459	110B0612	6X12 head bolt	4
39	1064827	411B0600	6 m/m plain washer	2
40*	1121375	92114-001	Cord protector WHN EXH USE 92114-002 steel	(1)
		92114-002	Cord protector resin	1

10. Air cleaner, mufflers.



\*Rev.1 July 1969

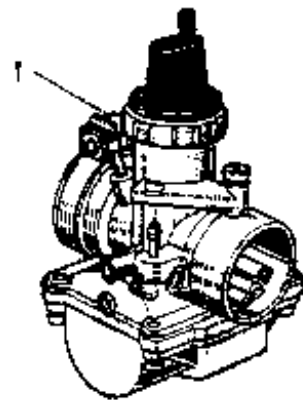
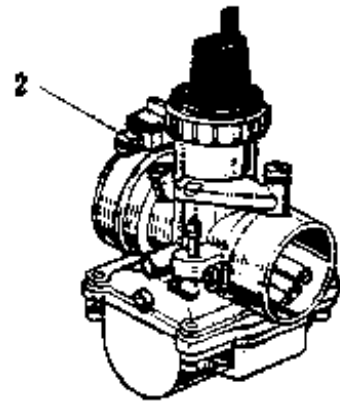
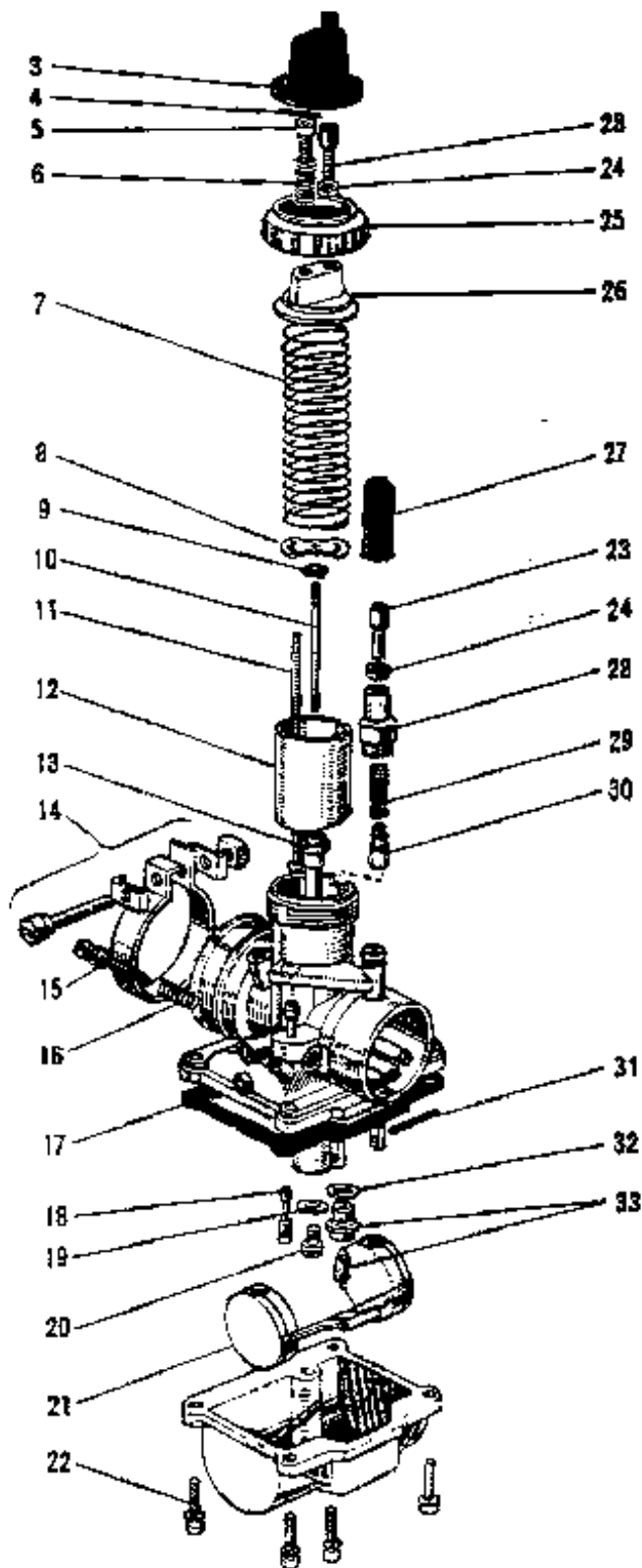
**10. Air cleaner, mufflers.**

Ref n°	D.P. n°	New parts n° (Old parts n°)	Part name	Quantity
1	1121138	220B06110	6X10 pan head screw	1
2	1065122	461F0600	6 m/m spring washer	1
3	1064827	411B0600	6 m/m plain washer	1
4	1117947	11010-035	Air cleaner assy	1
6	1117963	11013-019	Air cleaner element	1
7	1117998	11012-011	Air cleaner cap	1
8	1118005	92037-034	Air cleaner clamp	3
9	1094734	220B0635	6X35 pan head screw	4
10	1118048	92037-035	Air inlet pipe clamp	1
11	1118013	11015-014	Air inlet pipe assy	1
13	1065025	461E0600	6 m/m spring washer	6
14	1054872	310B0600	6 m/m nut	6
15	1118056	18069-024	Exhaust pipe holder	3
16	1118064	18049-050	Exhaust pipe	3
**17,20,22	1118072	18001-022	Muffler complete WHN EXH USE	1
		18001-063	For L.H.	
		18001-063	Muffler complete For L.H.	1
**18,20,22	1118099	18001-023	Muffler complete WHN EXH USE	1
		18001-064	For Center	
		18001-064	Muffler complete For Center	1
**19,22	1118102	18001-024	Muffler complete WHN EXH USE	1
		18001-065	For R.H.	
		18001-065	Muffler complete For R.H.	1
20	1118129	18033-027	Baffle tube	3
21	1118137	92024-016	6 m/m clavel lock washer	3
22	1042459	110B0612	6X12 hex head bolt	3
23	1011383	18044-005 (A1010-1474)	Muffler connector clamp	3
24	1011332	18044-006 (A1010-1462)	Muffler connector holder	3
25	1011324	18043-010 (A1010-1461)	Muffler connector	3
26*	1052624	220B0625	6X25 pan head screw	11
27	1042688	110B0820	8X20 hex head bolt	2
28	1065149	461F0800	9 m/m spring washer	2
29	1064835	411B0800	8 m/m plain washer	2
30	1054899	310B0800	8 m/m nut	1
31*	1123254	92037-043	Air inlet pipe clamp	2

\*Rev.1July 1969

\*\*Rev.29 Feb. 1972

# 11. Carburetors (1/2).

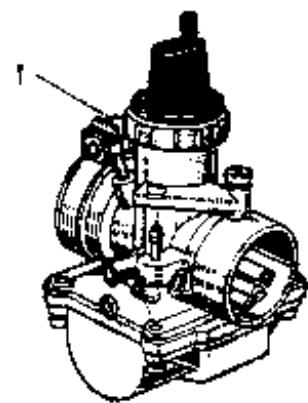
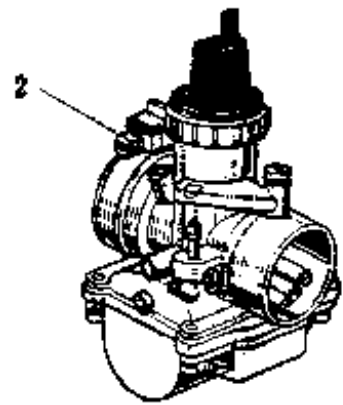
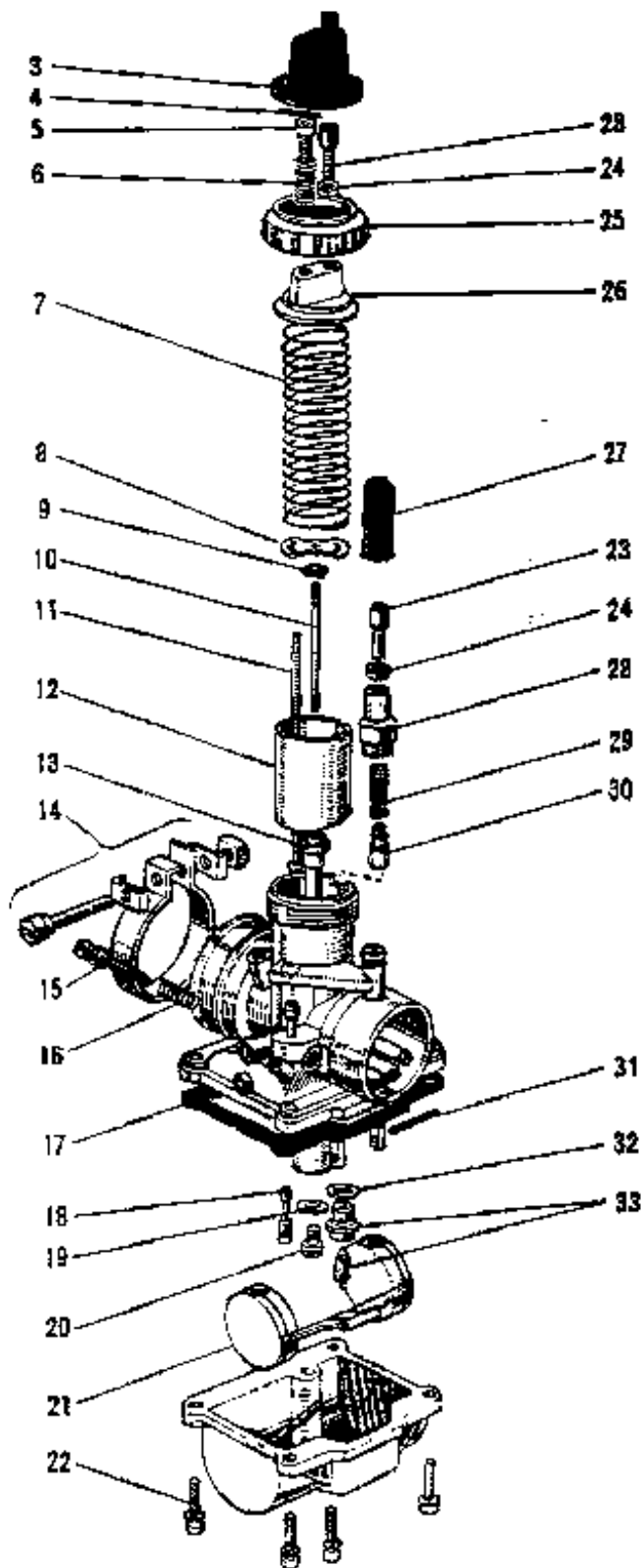


### 11. Carburetors (1/2).

Ref n°	D.P. n°	New parts n° (Old parts n°)	Part name	Quantity
1	1118145	16001-104	Carburetor assy	1
2	1118153	16001-103	Carburetor assy	2
3	1118188	16036-004	Carburetor cap	1x3
4	1045792	16023-001 (2010-6124)	Cotter pin	1x3
5	1045784	16021-003 (2010-6122)	Throttle adjuster	1x3
6	1061135	16022-005 (310-9307)	Throttle stop screw spring	1x3
7	1118196	16006-012	Throttle valve spring	1x3
8	1108948	16007-007 (F21410-6106)	Throttle valve spring seat	1x3
9	1045644	16008-004 (2010-6107)	Needl clip	1x3
10	1118218	16009-021	Jet needle 5GL-3	1x3
11	1118226	16024-005	Throttle stop rod	1x3
12	1118234	16025-021	Throttle valve CA3.0	1x3
13	1118242	16017-029	Needle jet 0-2	1x3
14	1108972	16051-002 (F21410-6140)	Carburetor mounting clamp set	1x3
15	1108956	16014-006 (F21410-6114)	Pilot air adjusting screw	1x3
16	1061178	16015-001 (310-9309)	Pilot air adjusting screw spring	1x3
17	1108964	16019-008 (F21410-6119)	Float chamber gasket	1x3
18*	1137689	92064-022 (PJ-30AS)	Pilot jet n°30 ISO Thread	1x3
19	1061399	16034-001 (310-9329)	Main jet washer	1x3
20	1111159	92063-069 (MJ-95R)	Main jet n°95 Option	
	1111167	92063-063 (MJ97.5R)	Main jet n°97.5 Option	
	1111175	92063-070 (MJ-100R)	Main jet n°100 STD	1x3
	1111183	92063-071 (MJ102-.5R)	Main jet n°102.5 Option	
	1111205	92063-072 (MJ105R)	Main jet n°105 Option	
21	1107119	16031-007 (F21410-6133)	Float	1x3
22	1099299	16033-009 (787 121-6136)	Float chamber fitting screw ISO Thread	4x3
23	1061313	16002-002 (310-9324)	Cable adjuster	2x3

\*Rev. 1 July 1969

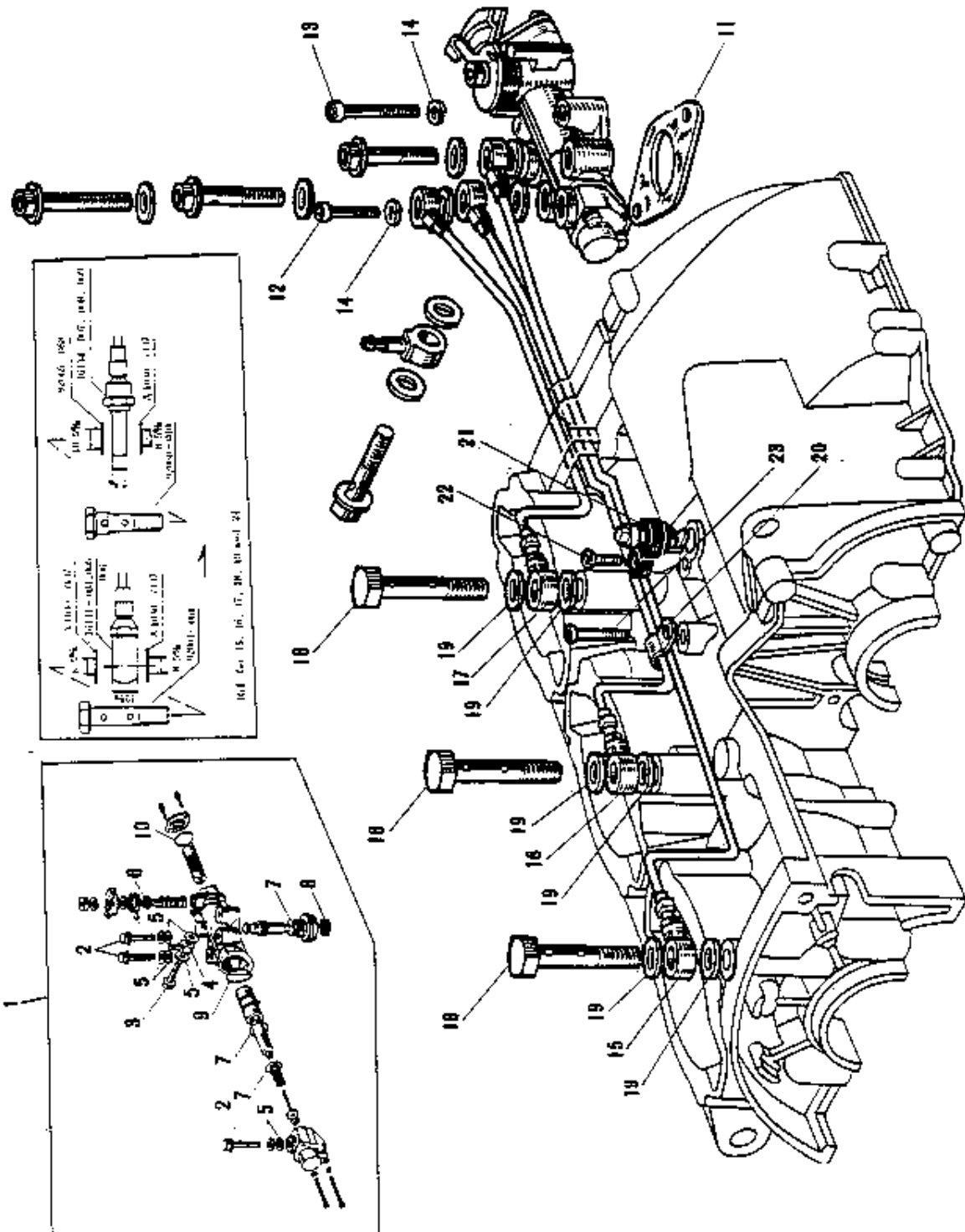
11. Carburetors (2/2).



**11. Carburetors (2/2)..**

Ref n°	D.P. n°	New parts n° (Old parts n°)	Part name	Quantity
24	1061348	16003-004 (310-9325)	Cable adjuster lock nut	2x3
25	1122436	16004-006	Mixing chamber cap	1x3
26	1122444	16005-016	Mixing chamber top	1x3
27	1118269	16036-005	Cable adjuster cap	1x3
28	1118277	16012-008	Starter plunger cap	1x3
29	1045709	16013-003 (2010-6113)	Starter plunger spring	1x3
30	1045725	16016-002 (2010-6116)	Starter plunger	1x3
31	1061267	16032-003 (310-9319)	Float pin	1x3
32	1083937	16029-004 (758 331-6131)	Float valve seat washer	1x3
33	1083945	16030-005 (756 331-6132)	Float valve complete	1x3

## 12. Oil pump.





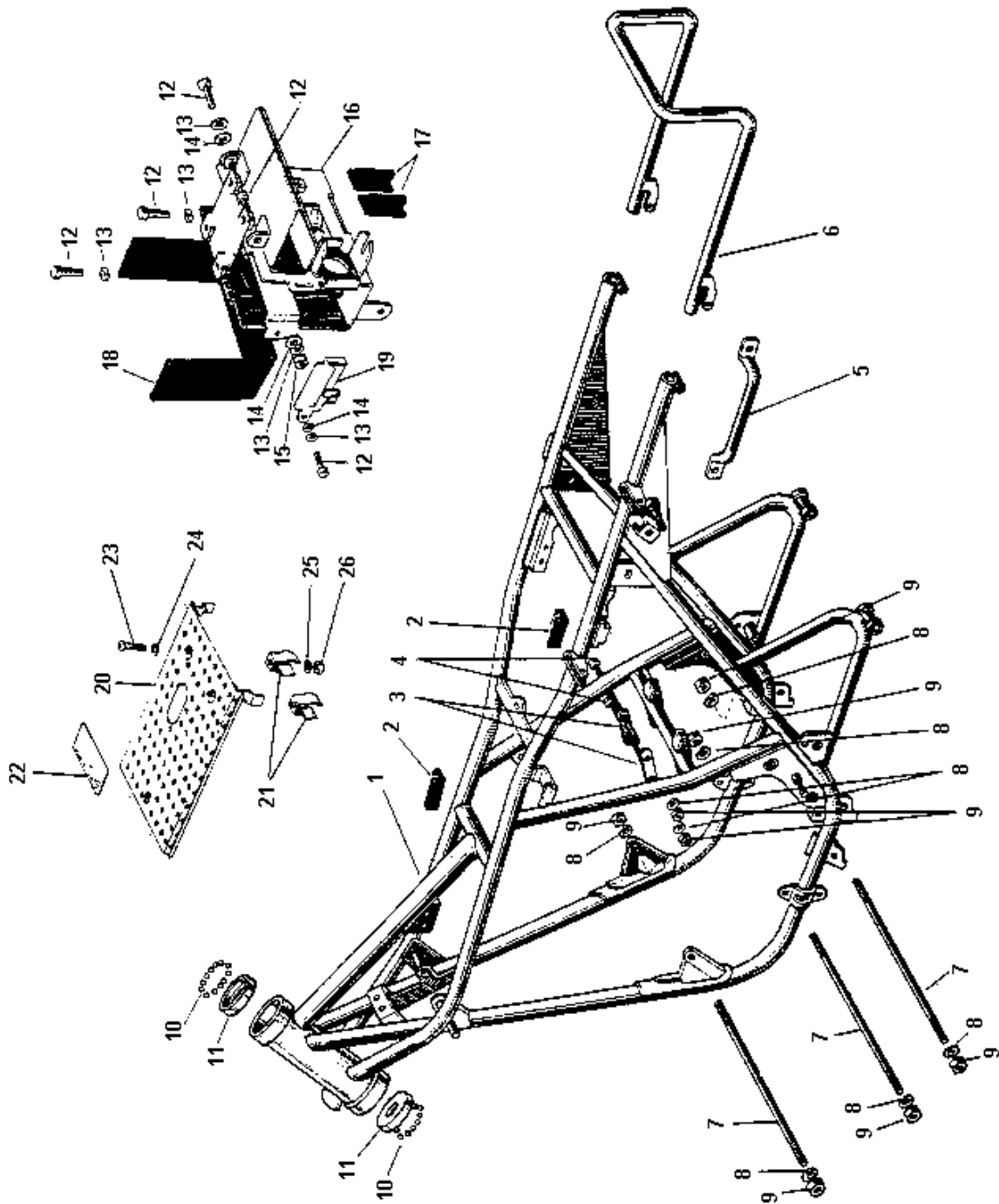
## 12. Oil pump.

Ref n°	D.P. n°	New parts n° (Old parts n°)	Part name	Quantity
1**	1118285	16082-017 16082-040	Oil pump assy whn exh use 16082-040 Oil pump assy	1 1
2	1121642	92060-008	Banjo bolt L= 17.5 m/m	3
3	1121669	92060-009	Banjo bolt L= 24 m/m	1
4	1121685	92061-015	Banjo connector	1
5	1017004	92022-077 (A1030-7144)	Oil pump banjo gasket	8
6	1090119	16089-001 (B1071-7152)	Oil pump cam shaft « V » ring	1
7	1103865	16090-002 (725 100-7153)	Oil pump shaft « O » ring	3
8	1103873	16091-001 (725 100-7154)	Oil pump shaft oil seal	1
9	1107984	16088-002 (725 100-7155)	Oil pump upper cap « O » ring	1
10	1107992	16090-003 (725 100-7153)	Oil pump lower cap « O » ring	1
11	1025732	16094-002 (B1070-7121)	Oil pump gasket	1
12	1121022	220B0514A	5X14 pan head screw ISO Thread	1
13	1121057	220B0528A	5X28 pan head screw ISO Thread	1
14	1065016	461E0500	5 m/m spring washer	2
15	1118293	16134-004	Oil pipe assy For L.H.	1
	1121707	16134-007	Oil pipe assy For L.H.	1
16	1118307	16134-005	Oil pipe assy For center	1
	1121715	16134-008	Oil pipe assy For center	1
17	1118315	16134-006	Oil pipe assy For R.H.	1
	1121723	16134-009	Oil pipe assy For R.H.	1
18	1118323	920016061	Banjo bolt For 16134-004,005 & 006	1
	1121677	92060-010	Banjo bolt For 16134-007, 008 & 009	1
19	1086367	92065-023 (A1030-7137)	Check valve gasket 3 ea not required for 92060-010.	6
20	1118358	16068-004	Oil pipe holder	1
21	1118366	13151-012	Neutral indicator switch	1
22	1052985	221B0616	6X16 Countersunk head screw	1
23*	1052543	220B0610	6X10 pan head screw	1
24	1121693	92065-058	Check valve gasket Not required for 92001-061	3

\*Rev.1 July 1969

\*\*Rev.29 Feb.1972

### 13. Frame.



\*Rev. 15 April 1970

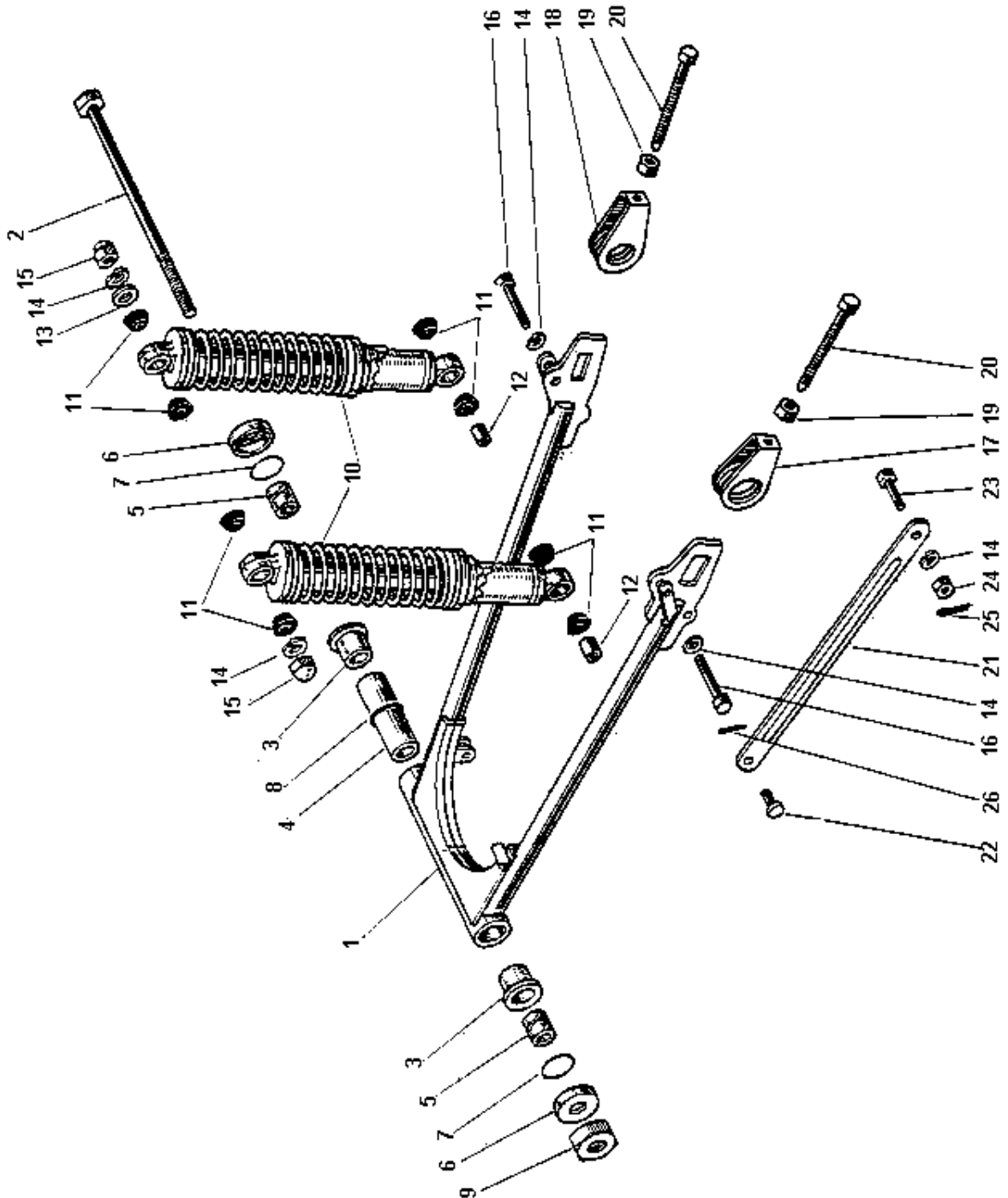
### 13. Frame.

Ref n°	D.P. n°	New parts n° (Old parts n°)	Part name	Quantity
1**	1118374	32002-021	Frame WHN EXH USE 32002-052	1
		32002-052	Frame	1
2	1118382	31082-005	Side cover protector	2
3	1118404	32030-016	Engine rear holder plate	2
4	1043226	113B10125	10X125 hex head bolt	2
5	1118412	32109-009	Frame grip	1
6	1118439	35032-014	Rear fender stay	1
7	1118447	92091-011	Engine front mounting bolt	3
8	1065157	461F1000	10 m/m spring washer	10
9	1062913	313B1000	10 m/m nut	10
10	1067524	600A0800	¼ steel ball	38
11	1066617	92048-006 (5020-6267)	Steering ball cup	2
12	1042467	110B0614	6X14 hex head bolt	5
13	1065122	461F0600	6 m/m spring washer	5
14	1064827	411B0600	6 m/m plain washer	3
15	1054872	310B0600	6 m/m nut	1
16	1118455	32099-004	Battery & tool box	1
17	1014366	32103-003 (A1020-1322)	Selenium rectifier rubber seat	2
18	1118463	32103-012	Battery mat	1
19	1118498	32100-013	Battery band	1
20*		32104-003	Punched plate	1
21*		32095-003	Bracket	2
22*		56020-010	Emblem	1
23*		220B0610	6X10 pan head screw E/N° 8801 & above	2
24*		411B0600	6 m/m plain washer	2
25*		461F0600	6 m/m spring washer	2
26*		310B0600	6 m/m nut	2

\*Rev. 15 April 1970

\*\*Rev. 29 Feb. 1972

14. Swinging arm, rear shock absorber.

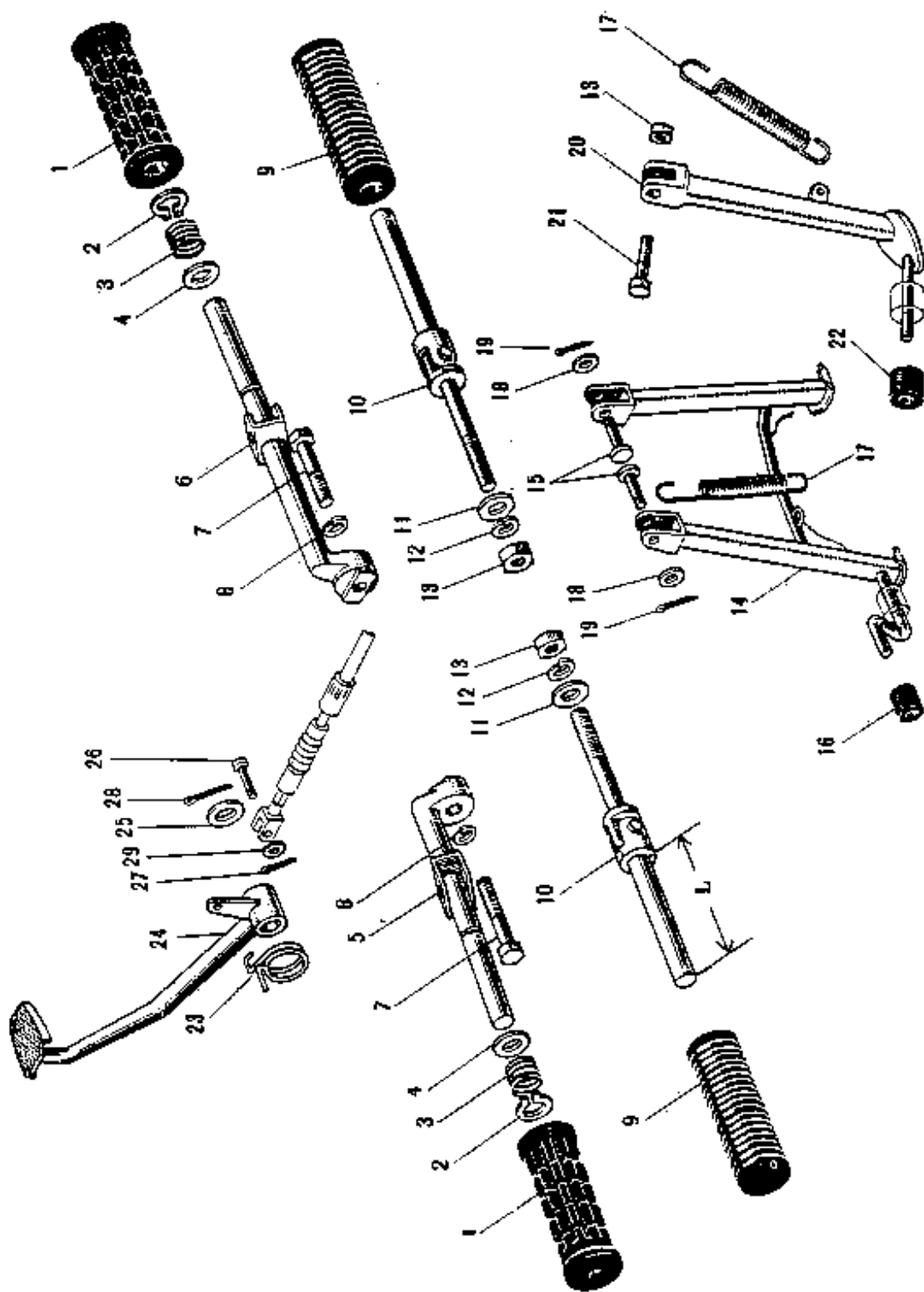


#### 14. Swinging arm, rear shock absorber.

Ref n°	D.P. n°	New parts n° (Old parts n°)	Part name	Quantity
1	1118528	33001-016	Swinging arm	1
2	1118536	33032-020	Swinging arm pivot shaft	1
3	1118544	33033-006	Swinging arm bushing	2
4	1118552	33034-008	Swinging arm sleeve Long	1
5	1118579	33034-009	Swinging arm sleeve Short	2
6	1118587	33035-003	Swinging arm cap	2
7	1073494	671B2530	30 m/m « O » ring	2
8*	1097962	670B2021	21 m/m « O » ring	Deleted Jan.1969
9	1118595	92019-005	16 m/m self locking nut	1
10*	1017624	45014-024 (A1320-2800)	Rear shock absorber WHN EXH USE 45014-056	(2)
		45014-056	Rear shock absorber	2
11	1066633	45017-001 (5020-6303)	Rear shock absorber rubber bushing	2
12*	1066668	45016-003 (5020-6358)	Rear shock absorber pivot shaft bushing	2
13	1024337	92022-044 (B1060-1502)	25 m/m plain washer	1
14	1065157	461F1000	10 m/m spring washer	5
15	1056867	92020-003 (310-1503)	Shock absorber fitting nut	2
16	1043544	113N1035	10X35 hex head bolt	2
17	1118609	33040-028	L.H. chain adjuster d=24.8 m/m	1
18	1118617	33040-029	R.H. chain adjuster d=17.8 m/m	1
19	1062883	312B0800	8 m/m nut	2
20	1034502	92001-038 (F21420-1415)	Chain adjuster bolt	2
21	1118625	43007-016	Rear torque link	1
22	1028227	43009-001 (C2320-2626)	Rear torque link pin	1
23	1118633	92003-034	10 m/m hex head bolt	1
24	1063782	321B1000	10 m/m castle nut WHN EXH USE 315B1000	(1)
24*	1063008	315B1000	10 m/m nut	1
25	1067222	550D2015	2X1.5 cotter pin WHN EXH USE 92041- 002	(1)
25*	1137654	92041-002	Cotter pin	1
26	1067303	550D2520	2.5X20 cotter pin	1

\*Rev.15 April 1970.

15. Footrests, stands, brake pedal.

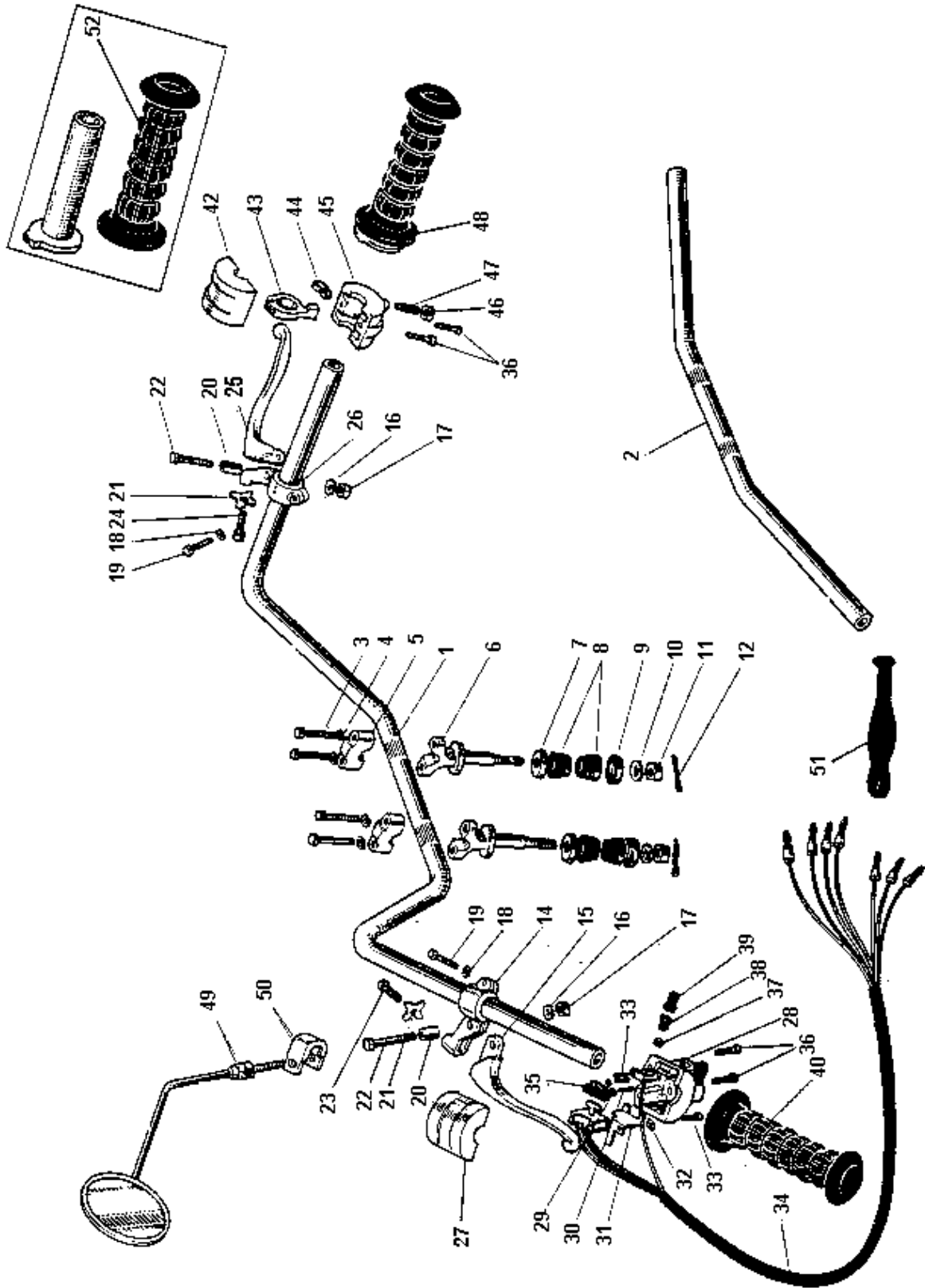


**15. Footrests, stands, brake pedal.**

Ref n°	D.P. n°	New parts n° (Old parts n°)	Part name	Quantity
1	1118668	92076-015	Footrest rubber	2
2	1065294	480J1600	16 m/m circlip	2
3	1014587	34006-002 (A1020-1615)	Footrest folding peg spring	2
4	1027824	92022-049 (C2320-1613)	Footrest folding peg washer	2
5	1118676	34003-013	L.H. Footrest bar	1
6	1118684	34003-015	R.H. Footrest bar	1
7	1120956	113G1236A	12X36 hex head bolt ISO thread	2
8	1065165	461F1200	12 m/m spring washer	2
9*	1065912	92076-009 (5020-5254)	Rear footrest rubber L = 85 m/m	2
		92076-008	Rear footrest rubber L = 70 m/m	2
10*	1118692	34027-012	Rear footrest bar L = 78 m/m	2
		34027-013	Rear footrest bar L = 62 m/m	2
11	1064746	410B1000	10 m/m plain washer	2
12	1065167	461F1000	10 m/m spring washer	2
13	1062913	313B1000	10 m/m nut	3
14	1118706	34011-023	Main stand	1
15	1118714	92043-041	Join pin	2
16	1122452	92075-046	Main stand stopper rubber	1
17	1014676	34023-007 (A1020-1662)	Main stand spring	2
18	1064754	410B1200	12 m/m plain washer	2
19	1121316	550D2525	2.5X25 Cotter pin	2
20	1014617	34024-016 (A1020-1630)	Side stand	1
21	1043285	113B1030	10X30 hex head bolt	1
22	1014625	92075-031 (A1020-1635)	Side stand stopper rubber	1
23	1118722	43005-011	Brake pedal return spring	1
24	1118749	43001-027	Brake pedal	1
25	1015303	92022-085 (A1020-2615)	Brake pedal fitting washer	1
26	1071092	92043-034 (6020-5286)	Brake cable joint pin	1
27	1067222	550D2015	2X15 cotter pin	1
28	1097687	550D3025	3X2.5 cotter pin	1
29	1064703	410B0600	6 m/m plain washer	1

\*Rev.29 Feb.1972

16. Handlebar, grips (1/2).

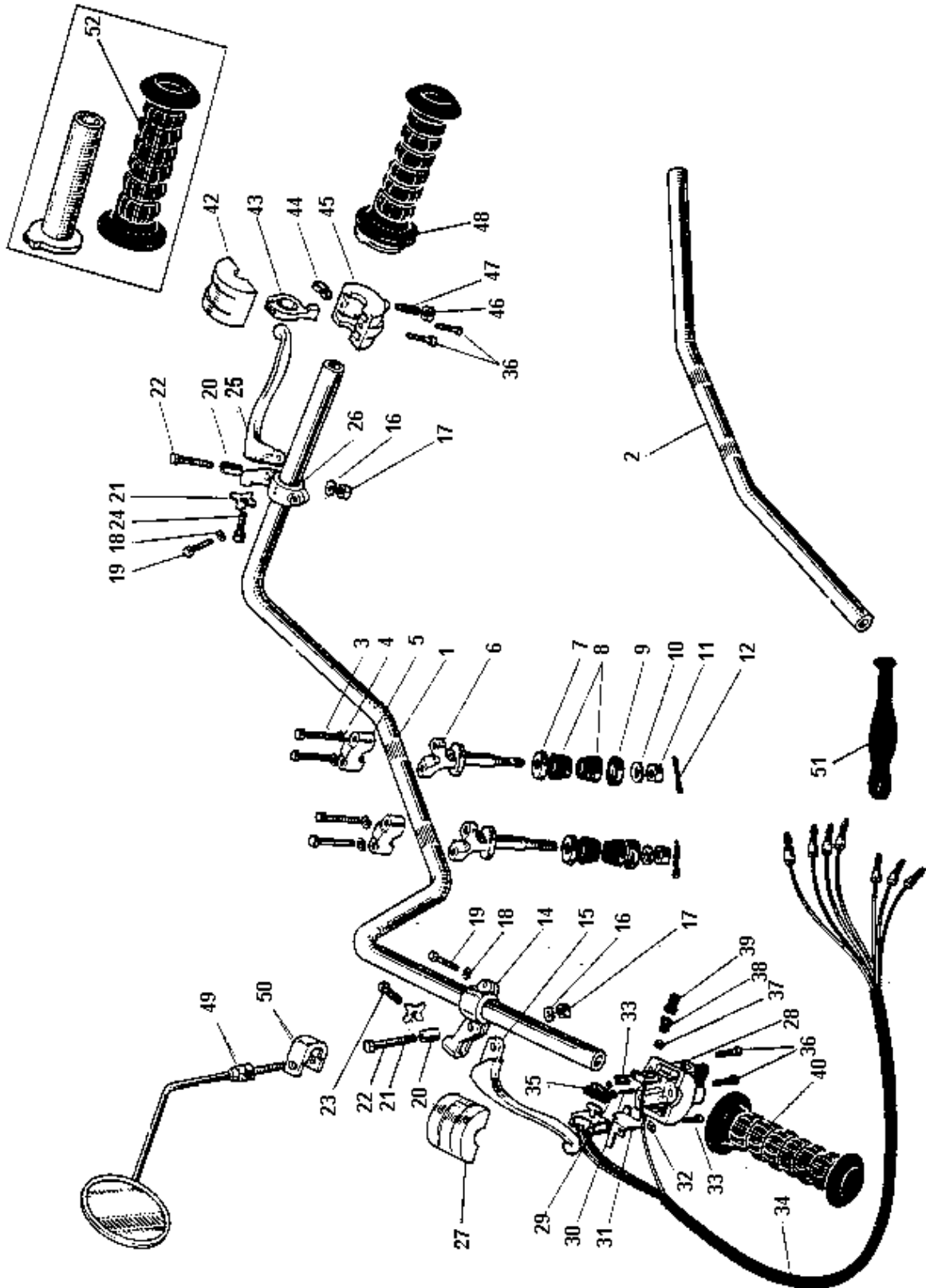




**16. Handlebar, grips (1/2).**

Ref n°	D.P. n°	New parts n° (Old parts n°)	Part name	Quantity
1	1118757	46003-017	Handlebar	1
2	1118765	46005-005	Low-handlebar	Option
3	1047914	92007-002 (2020-3134)	Handlebar fitting bolt	4
4	1065149	461F0800	8 m/m spring washer	4
5	1024698	46012-004 (B1060-3440)	Upper handlebar holder	2
6	1101854	46012-007 (789 621-3122)	Lower handlebar holder	2
7	1118803	46016-004	Handlebar holder cap (upper)	2
8	1118838	92075-039	Handlebar damper rubber	4
9	1118846	46016-003	Handlebar holder cap (lower)	2
10	1065157	461F1000	10 m/m spring washer	2
11	1062913	313B1000	10 m/m nut	2
12	1067303	550D2520	2.5X20 cotter pin	2
14-23	1118854	46076-010	Clutch lever assy	1
15	1118862	46092-012	Clutch lever	1
16	1065327	464H0600	6 m/m toothed lock washer	2
17	1054872	310B0600	6 m/m nut	2
18	1065122	461F0600	6 m/m spring washer	2
19	1075934	110N0625	6X25 hex head bolt	2
20	1118889	46059-010	Lever collar	2
21	1066064	46056-002 (5020-5466)	Cable adjusting screw lock nut	2
22	1120913	110N0628	6X28 hex head bolt	2
23	1118897	46055-006	Cable adjusting screw D = 9 m/m	1
16-22 24-26	1118919	46021-006	Front brake lever assy	1
24	1066099	46055-002 (5020-5468)	Cable adjusting screw D = 8 m/m	1
25	1118927	46058-012	Front brake lever	1
27->39	1118935	46091-001	L.H. case assy	1
27	1118943	46086-012	L.H. upper case	1

16. Handlebar, grips (2/2).

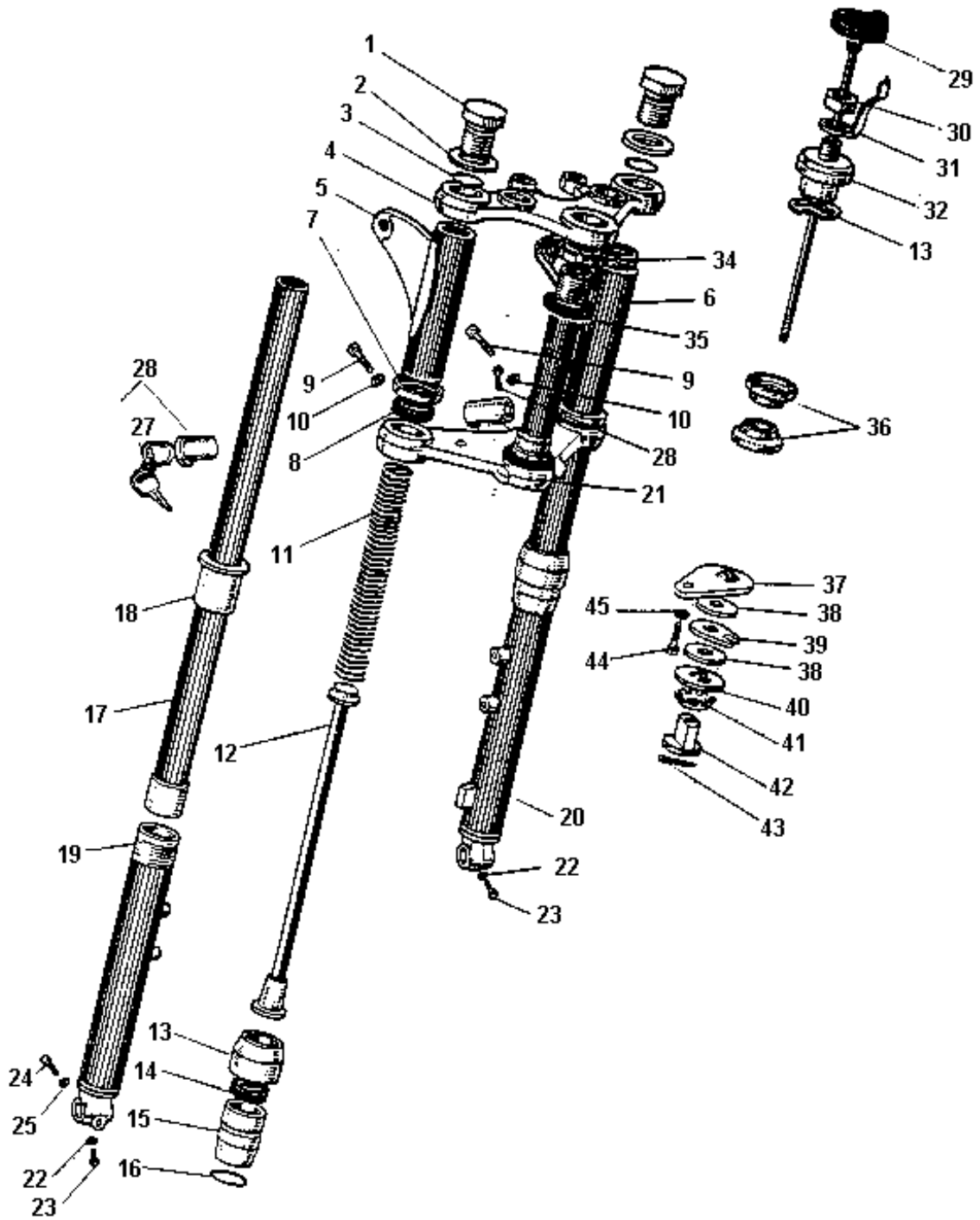


**16. Handlebar, grips (2/2).**

Ref n°	D.P. n°	New parts n° (Old parts n°)	Part name	Quantity
28	1118978	46077-014	L.H. lower case	1
29	1065092	461F0200	2 m/m spring washer	2
30	1051385	211B0206	2X6 pan head screw	2
31	1066234	46085-010 (3020-5487)	L.H. switch upper wiring holder	1
32	1065106	461F0300	3 m/m spring washer	1
33	1120999	220B0305A	3X5 pan head screw ISO thread	2
34	1118986	46082-014	Wiring harness complete	1
35	1066217	46044-003 (5020-5484)	Switch knob	1
36	1121049	220B0518A	5X18 pan head screw ISO thread	4
37	1066285	46079-001 (5020-5492)	Horn switch contact	1
38	1066277	46031-002 (5020-5491)	Horn button spring	1
39	1066269	46028-002 (5020-5489)	Horn button	1
40	1119028	46075-013	L.H. handlebar grip rubber	1
*36, 42->48	1119036	46018-008	R.H. case assy	1
42	1119044	46040-013	R.H. upper case	1
43	1119052	46096-004	Starter lever	1
44	1119079	46025-004	Throttle grip adjusting spring	1
45	1118994	46022-015	R.H. lower case	1
46	1121243	312B0500A	5 m/m nut ISO thread	1
47	1119087	46026-006	Throttle grip adjusting screw ISO thread	1
48	1119095	46019-012	Throttle grip	1
49	1016008	56002-011 (A1020-5500)	Rear view mirror assy WHN EXH USE 56001-005	(1)
49*	1136178	56001-005	Rear view mirror assy	1
50	1119109	56006-001	Bracket	1
51	1072994	92072-013 (6020-9108)	Rubber band	1
52	1122479	46061-008	R.H. handlebar grip rubber	1

\*Rev. 1 July 1969

17. Front fork (1/2).



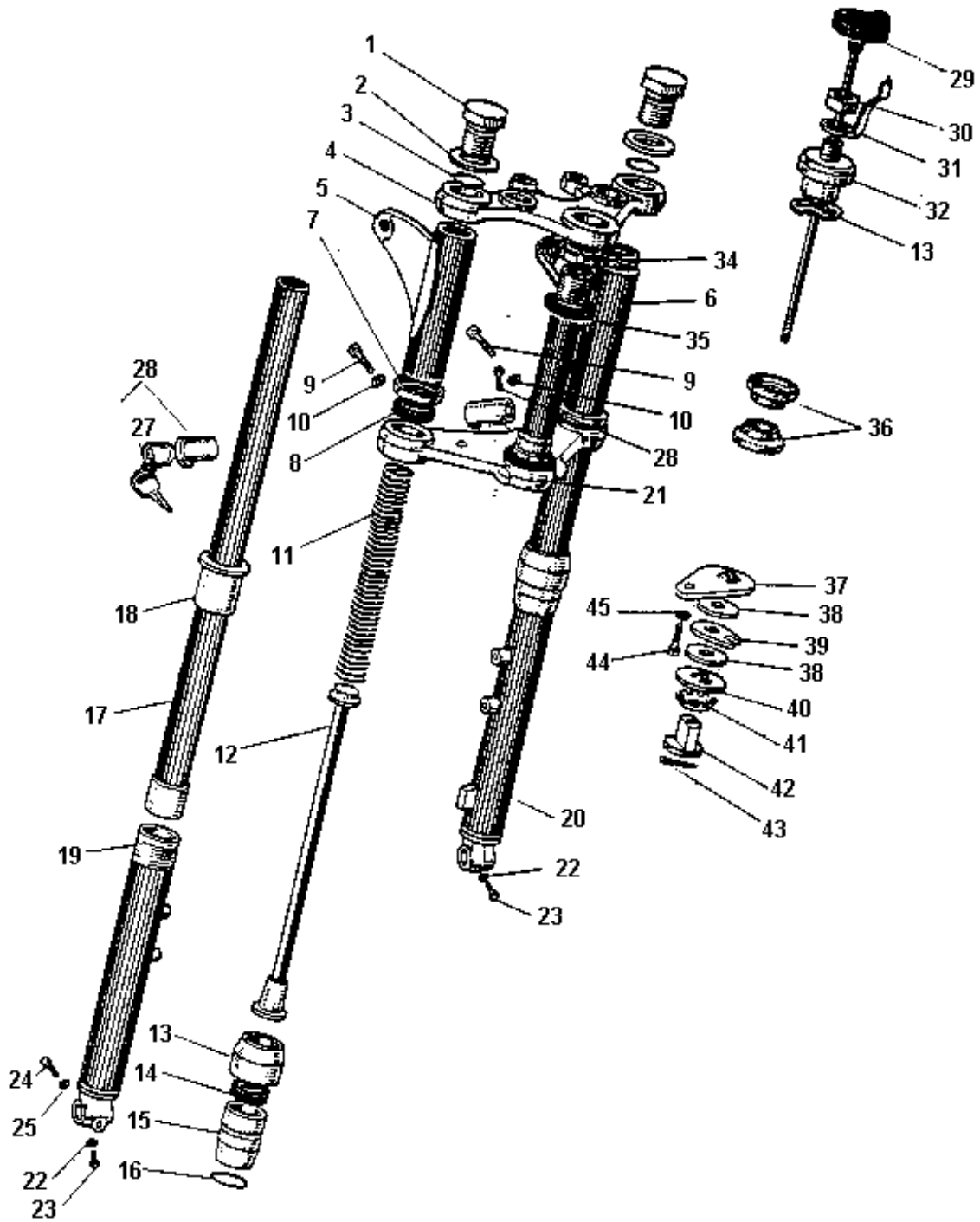
**17. Front fork (1/2).**

Ref n°	D.P. n°	New parts n° (Old parts n°)	Part name	Quantity
*1->25	1119117	44001-043-42	Front fork assy Candytone silver	1
		44001-043-10	Front fork assy Black	1
1	1119125	44041-021	Fork top bolt	2
2	1119133	44043-033	Fork top washer	2
3	1107763	44046-015 (758 631-3424)	Fork top « O » ring	2
4	1119168	44039-025	Steering stem head	1
5*	1119176	44033-024-42	L.H. fork cover Candytone silvere	1
		44033-024-10	L.H. fork cover Black	1
6*	1119184	44034-023-42	R.H. fork cover Candytone silvere	1
		44034-023-10	R.H. fork cover Black	1
7	1107925	44043-034 (758 631-3457)	Fork cover washer	2
8	1107917	44045-029 (758 631-3456)	Fork cover gasket	2
9	1043315	113B1036	10X36 hex head bolt	2
10	1065157	461F1000	10 m/m spring washer	2
11*	1119192	44026-022	Fork spring WHN EXH USE 44026-031	(2)
		44026-031	Fork spring	2
12	1119206	44028-015	Fork spring holder	2
13**	1107712	44010-014 (758 631-3416)	Dust shield WHN EXH USE 44010-017	2
		44010-017	Dust shield	2
14**	1107704	44009-010 (758 631-3415)	Fork oil seal TB 344610.5 WHN EXH USE 44009-011	2
		44009-011	Fork oil seal	2
15	1107682	44007-015 (758 631-3413)	Outer tube nut	2
16	1107976	44046-016 (758 631-3414)	Outer tube nut « O » ring	2
17*	1119214	44013-017	Fork inner tube WHN EXH USE 440136025	(2)
		44013-025	Fork inner tube	2
18	1107755	44015-011 (758 631-3423)	Fork inner tube guide	2
19	1119222	44005-020	L.H. fork outer tube	1
20	1119249	44006-019	R.H. fork outer tube	1
21	1119257	44037-024	Steering stem	1
22	1066412	44045-015 (5020-6033)	Fork drain plug gasket	2
23	1121014	200B0408A	4X8 pan head screw ISO thread	2
24	1043137	110B0832	8X32 hex head bolt	1
25	1065149	461F0800	8 m/m spring washer	1
26	1119265	27016-017	Steering lock assy	1

\*Rev.15 April 1970

\*\*Rev. 29 Feb. 1972

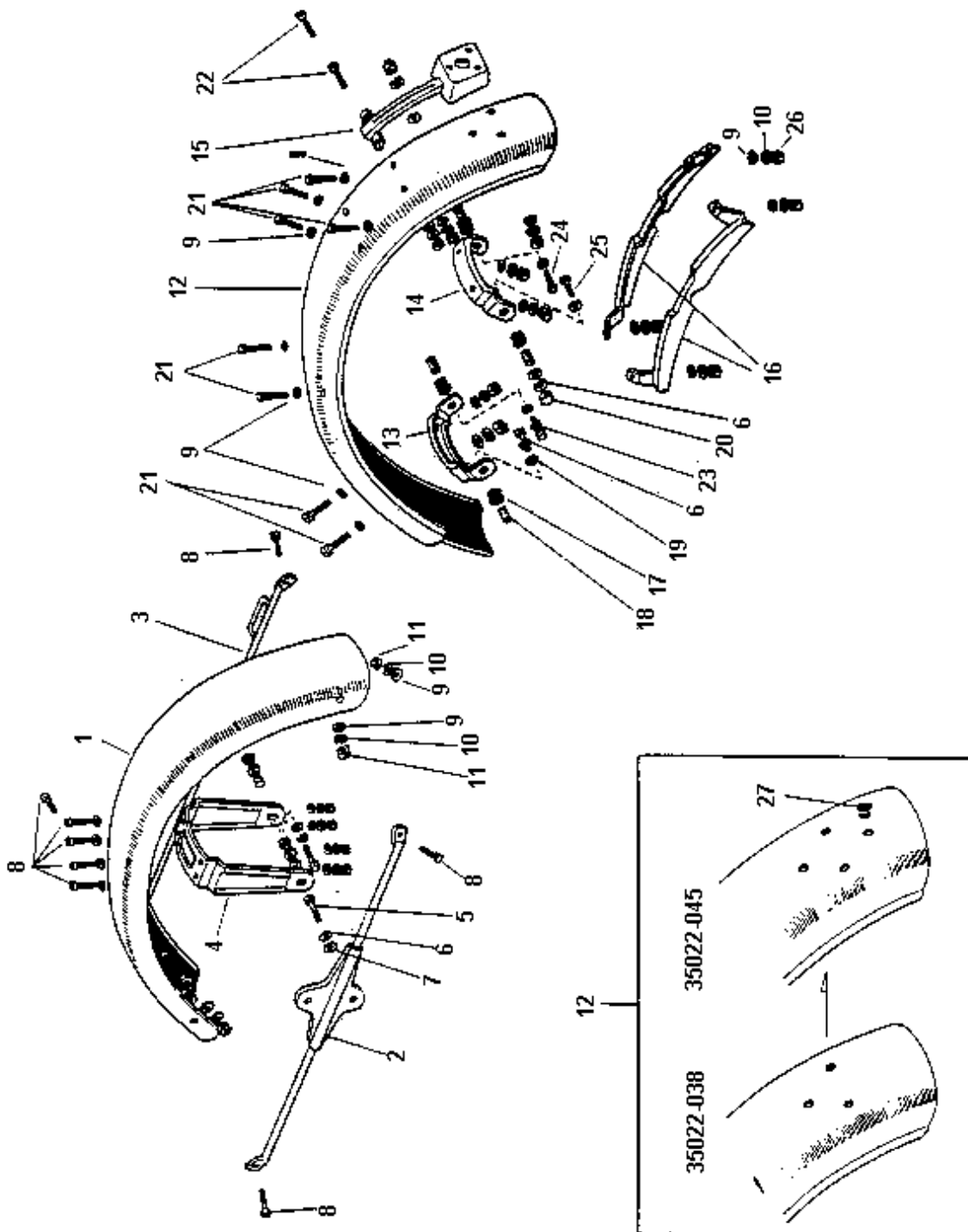
17. Front fork (2/2).



**17. Front fork (2/2).**

Ref n°	D.P. n°	New parts n° (Old parts n°)	Part name	Quantity
27	1119273	27008-027	Key set N° 669	
	1119303	27008-027	Key set N° 670	
	1119338	27008-027	Key set N° 671	
	1119346	27008-027	Key set N° 672	
	1119354	27008-027	Key set N° 673	
	1119362	27008-027	Key set N° 674	
	1119389	27008-027	Key set N° 675	
	1119397	27008-027	Key set N° 676	
28	1016598	92099-001 (A1020-8521)	Screw rivet	1
29	1119419	46101-004	Steering damper knob	1
30	1121278	315N1200A	12 m/m nut ISO thread	1
31	1119427	46126-001	Steering damper knob spring	1
32	1119435	92090-015	Steering stem nut	1
33	1015729	46100-001 (A1020-3503)	Steering stem washer	1
34	1066463	92090-007 (5020-6226)	Steering stem lock nut	1
35	1119443	46098-010	Steering stem cap	1
36	1066625	62047-006 (5020-6269)	Steering ball race inner	2
37	1119478	46106-005	Steering damper steel plate (upper)	1
38	1119486	46104_005	Steering damper friction plate	2
39	1119494	46105-005	Steering damper anchor plate	1
40	1119508	46106-006	Steering damper steel plate (lower)	1
41	1119516	46124-005	Steering damper spring	1
42	1119524	46125-005	Steering damper guide nut	1
43	1067206	550D1615	1.6X15 cotter pin	1
44	1043595	114B0812	8X12 hex head bolt	1
45	1065149	461F0800	8 m/m spring washer	1

18. Fenders.



\*Rev.1 July 1969

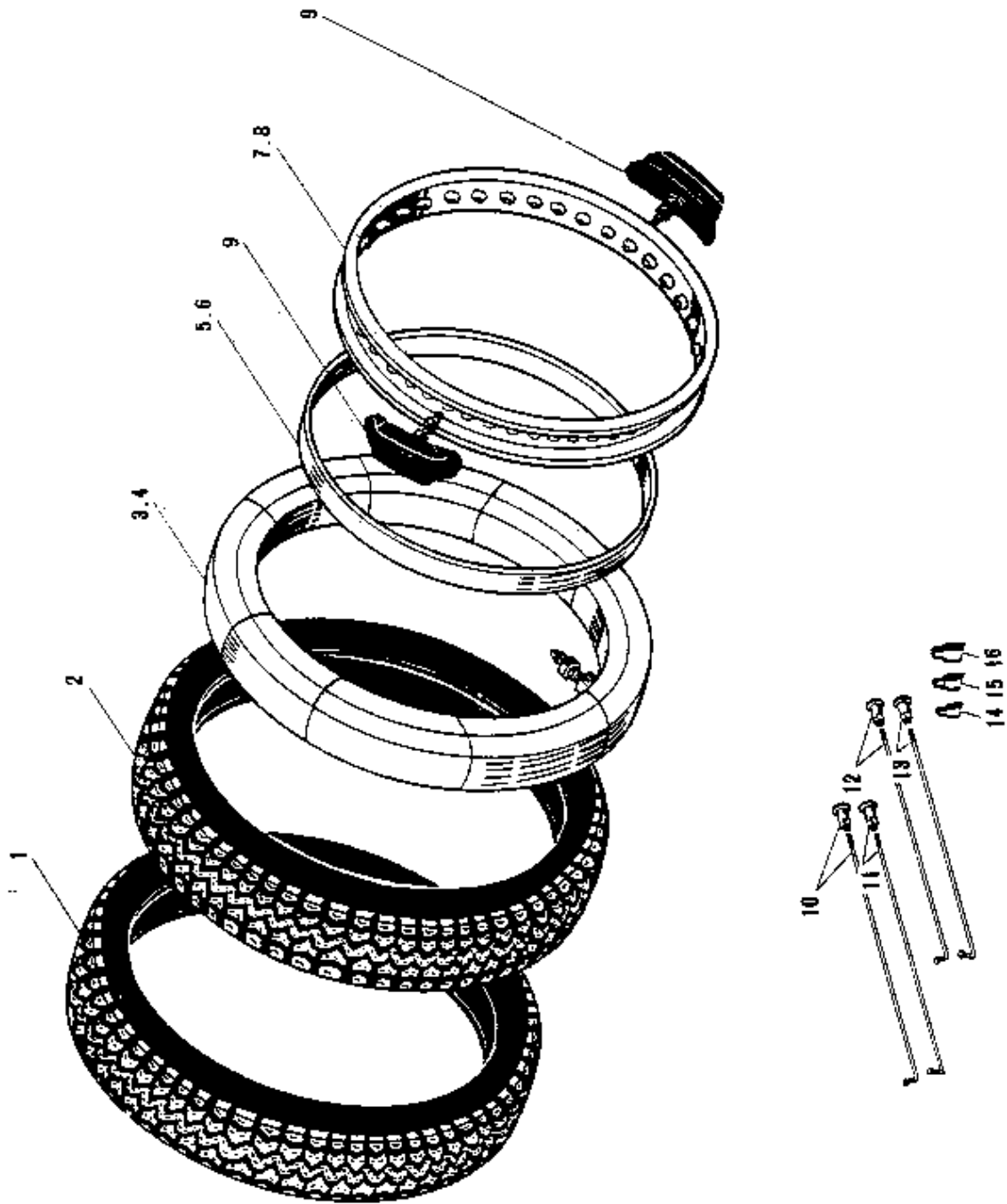


### 18. Fenders.

Ref n°	D.P. n°	New parts n° (Old parts n°)	Part name	Quantity
1	1119532	35004-036	Front fender	1
2	1119559	35011-018	L.H. front fender stay	1
3	1119567	35011-017	R.H. front fender stay	1
4	1119575	35009-012	Front fender brace	1
5	1043609	114B0814	8X14 hex head bolt	4
6	1065149	461F0800	8 m/m spring washer	8
7	1064738	410B0800	8 m/m plain washer	4
8	1052845	220B0612	6X12 pan head screw	8
9*	1064827	411B0600	6 m/m plain washer	24
10	1065122	461F0600	6 m/m spring washer	18
11	1062875	312B0600	6 m/m nut	8
12	1119583	35022-038	Rear fender WHN EXH USE 35022-045	(1)
12*	1137662	35022-045	Rear fender	1
13	1119605	35025-009	Rear fender bracket (front)	1
14	1119613	35025-010	Rear fender bracket (rear)	1
15	1119648	35031-004	Tail lamp stay	1
16	1119656	35034-007	Rear fender supporter	2
17	1049119	92075-019 (2020-4651)	Fuel tank front shock damper	4
18	1049127	51065-001 (2020-4652)	Fuel tank front mounting spacer	4
19	1058762	92022-035 (310-4137)	Fuel tank fitting washer	4
20	1028499	92020-007 (C2320-4653)	Fuel tank front mounting nut	2
21	1042459	110B0612	6X12 hex head bolt	8
22	1052578	220B0612	6X12 pan head screw	2
23	1042696	110B0822	8X22 hex head bolt	2
24*	1042793	110B0850	8X50 hex head bolt	1
25*	1042807	110B0855	8X55 hex head bolt	1
26	1054872	310B0600	6 m/m nut	10
27*	1053825	92074-005 (2220-3431)	Rubber plug Use only for 35022-045	1

\*Rev.1 July 1969

19. Tires, rims.



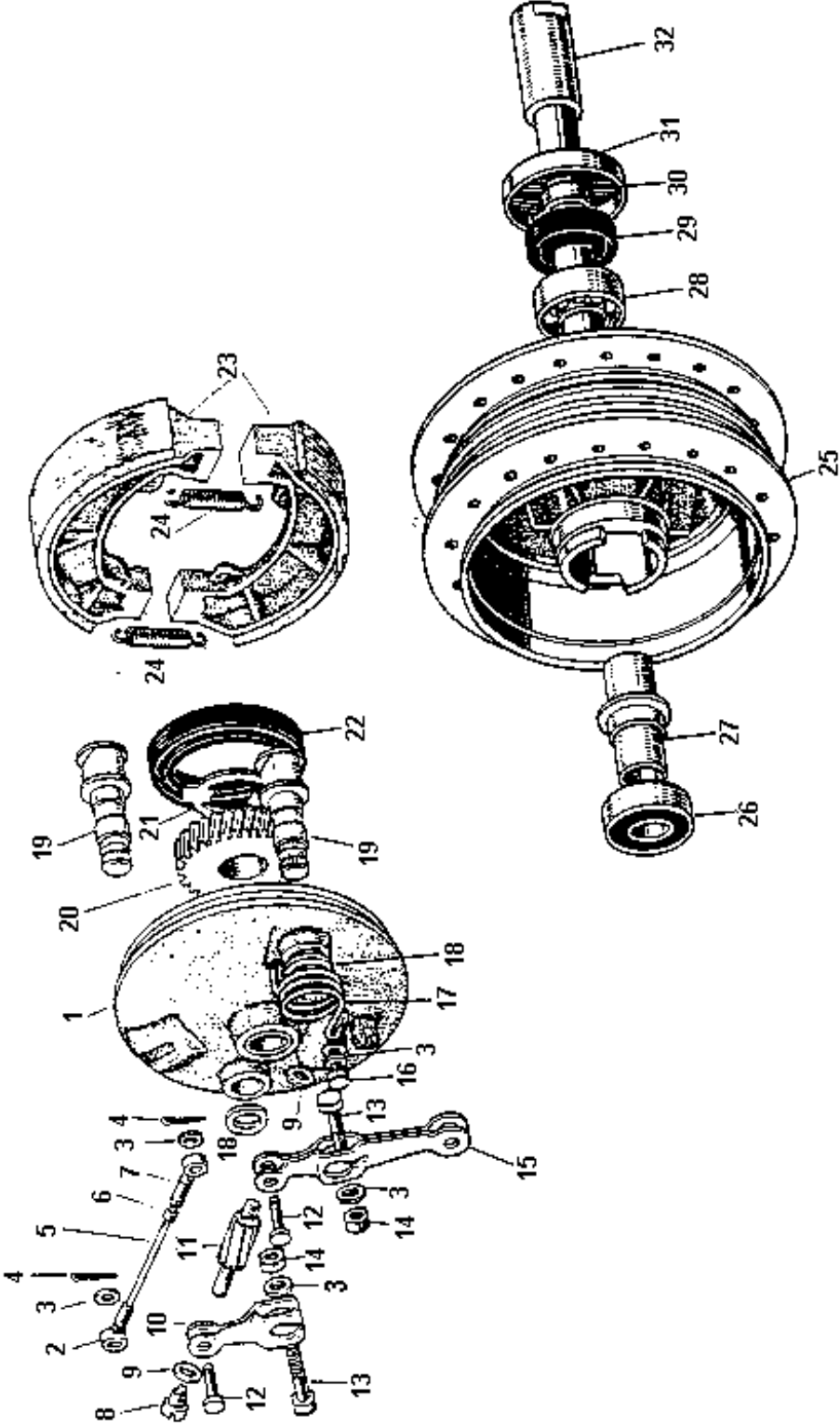
### 19. Tires, rims.

Ref n°	D.P. n°	New parts n° (Old parts n°)	Part name	Quantity
1	1119664	41020-004	Tire (H 3.25-19 4PR) Front	1
2*	1119672	41021-006	Tire (H 4.00-18 4PR) rear K 77 WHN EXH USE 41021-011	(1)
		41021-011	Tire (H 4.00-18 4PR) rear K 87	1
3	1041517	41022-030 (W2320-6652)	Front tire tube (3.25-19)	1
4	1041622	41022-031 (W2320-6886)	Rear tire tube (4.00-18)	1
5	1041525	41023-015 (W2320-6653)	Front rim band	1
6	1041606	41023-016 (W2320-6882)	Rear rim band	1
7	1041533	41025-026 (W2320-6658)	Front drop center rim (1.85Bx19W)	1
8	1119699	41025-032)	Drop center rim (2.15x18W)	1
9	1034588	41024-003 (F21420-2140)	Bead protector for rear rim	1
10**	1041568	41027-014 (W2320-6661)	Front inner spoke assy WHN EXH USE 41027-044	20
		41027-044	Front inner spoke assy	20
11**	1041576	41028-015 (W2320-6666)	Front outer spoke assy WHN EXH USE 41028-042	20
		41028-043	Front outer spoke assy	20
12**	1072145	41027-012 (6020-6661)	Rear inner spoke assy WHN EXH USE 41027-047	20
		41027-047	Rear inner spoke assy	20
13**	1072153	41028-013 (6020-6666)	Rear outer spoke assy WHN EXH USE 41028-046	20
		41028-046	Rear outer spoke assy	20
14	1039814	41075-001 (W1020-6889)	Wheel balance weight (10 g)	AR
15	1039792	41075-002 (W1020-6887)	Wheel balance weight (20 g)	AR
16		41075-003 (W1020-6888)	Wheel balance weight (30 g)	AR

\*Rev.15 April 1970

\*\*Rev.20 Feb. 1972

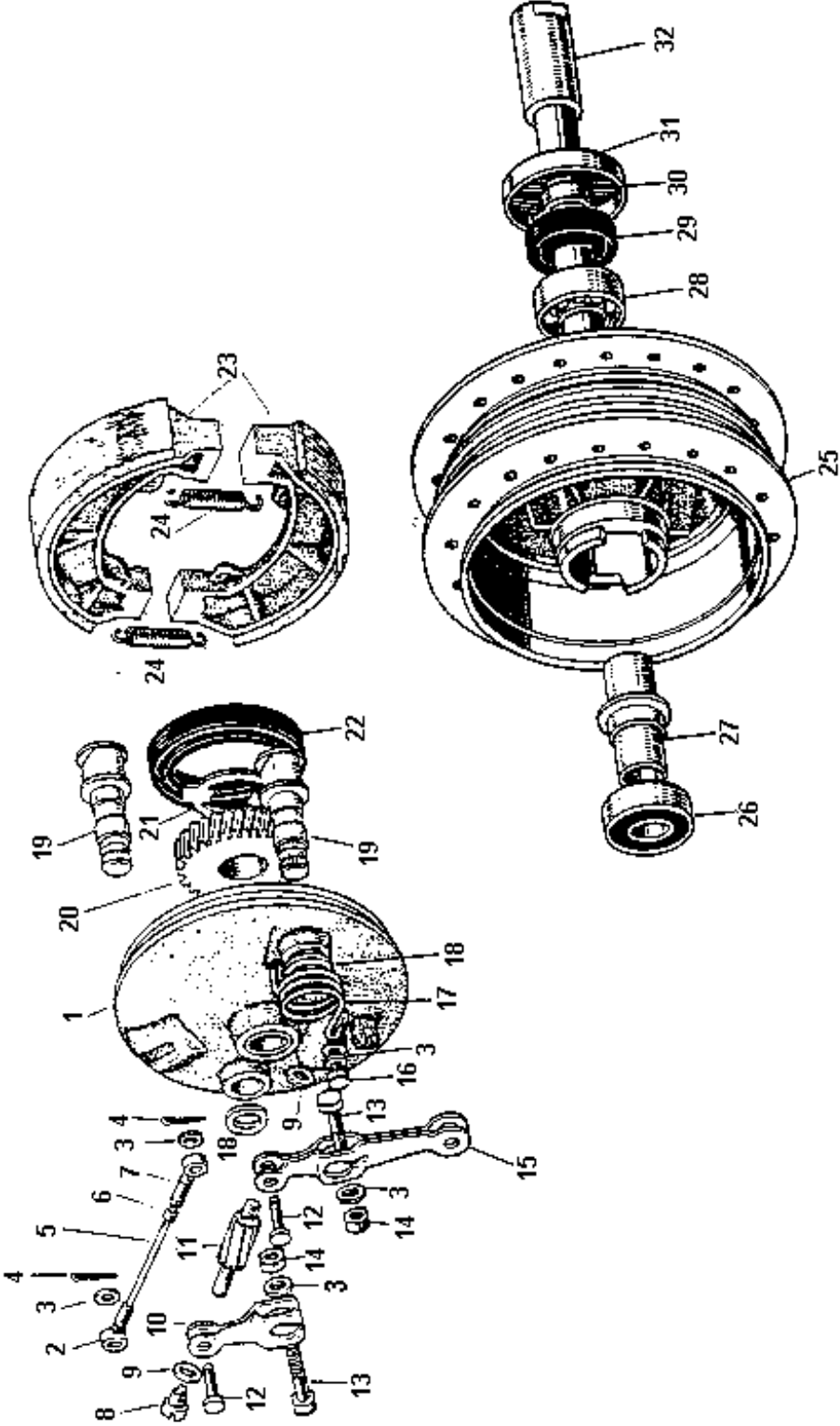
20. Front hub (1/2).



## 20. Front hub (1/2).

Ref n°	D.P. n°	New parts n° (Old parts n°)	Part name	Quantity
1->24	1119702	41035-018	Front brake panel assy	1
2	1119729	41058-010	Brake connecting rod end (B) ISO Thread	1
3	1064827	410B0600	6 m/m plain washer	5
4	1067184	550D1210	1.2X10 cotter pin	2
5	1119737	41057-011	Brake cam lever connecting rod ISO Thread	1
6	1121227	310B0500A	5 m/m nut ISO Thread	1
7	1119745	41058-011	Brake connecting rod end (A) ISO Thread	1
8	1066889	41062-003 (5020-6904)	Speedometer pinion bushing	1
9	1066897	41063-003 (5020-6905)	Speedometer pinion thrust washer	2
10	1039555	41053-012 (W1020-6526)	Front brake cam 2nd lever	1
11	1119753	41060-009	Speedometer pinion 12 teeth	1
12	1039652	41055-003 (W1020-6556)	Brake connecting rod pin	2
13	1042556	110B0630	6X30 hex head bolt	2
14	1054872	310B0600	6 m/m nut	2
15	1039547	41053-011 (W1020-6525)	Front brake cam first lever	1
16	1042483	110B0618	6X16 hex head bolt	1
17	1119788	41056-003	Brake cam lever spring	1
18	1066692	41051-001 (5020-6529)	Brake cam shaft dust shield	2
19	1039482	41050-007 (W1020-6509)	Front brake cam shaft	2
20	1119796	41059-010	Speedometer gear 35 teeth	1
21	1119818	41064-005	Speedometer gear receiver	1
22	1119826	92050-026	Oil seal	1
23	1039512	41048-007 (W1020-6520)	Brake shoe	2
24	1039539	41049-007 (W1020-6524)	Brake shoe spring	2
25->29	1119834	41034-013	Front brake drum assy	1
26	1067729	601B6303Z	6303Z ball bearing	1
27	1119842	41039-015	Front hub bearing spacer	1

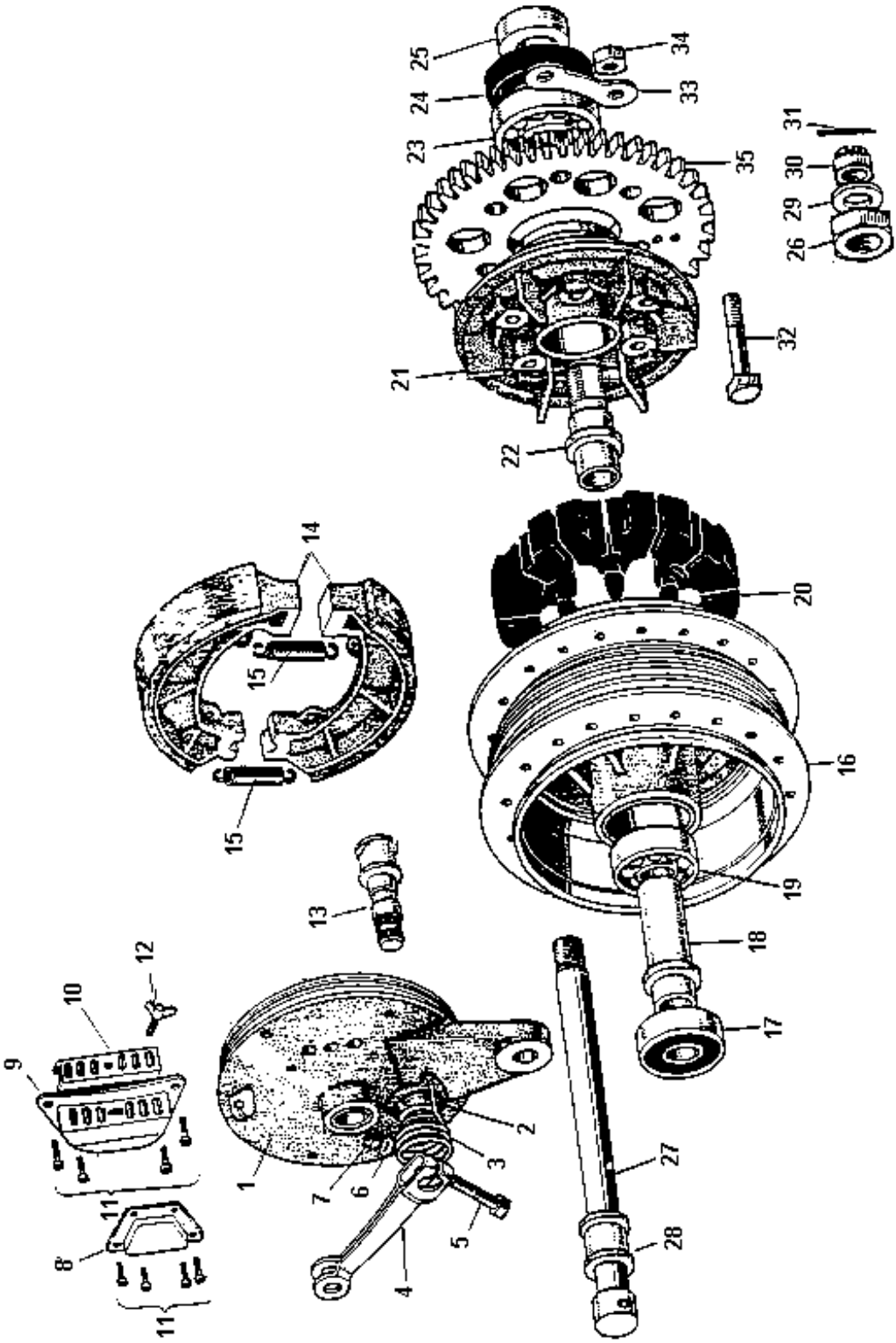
20. Front hub (2/2).



**20. Front hub (2/2).**

Ref n°	D.P. n°	New parts n° (Old parts n°)	Part name	Quantity
28	1067702	601B6303	6303 ball bearing	1
29	1073354	654A254708	Front axle oil seal	1
30	1072072	41069-009 (6020-6541)	Front axle oil seal collar	1
31	1072099	41042-005 (6020-6546)	Front hub dust shield	1
31	1119869	41068-020 (W1020-6560)	Front axle	1

21. Rear hub (1/2).



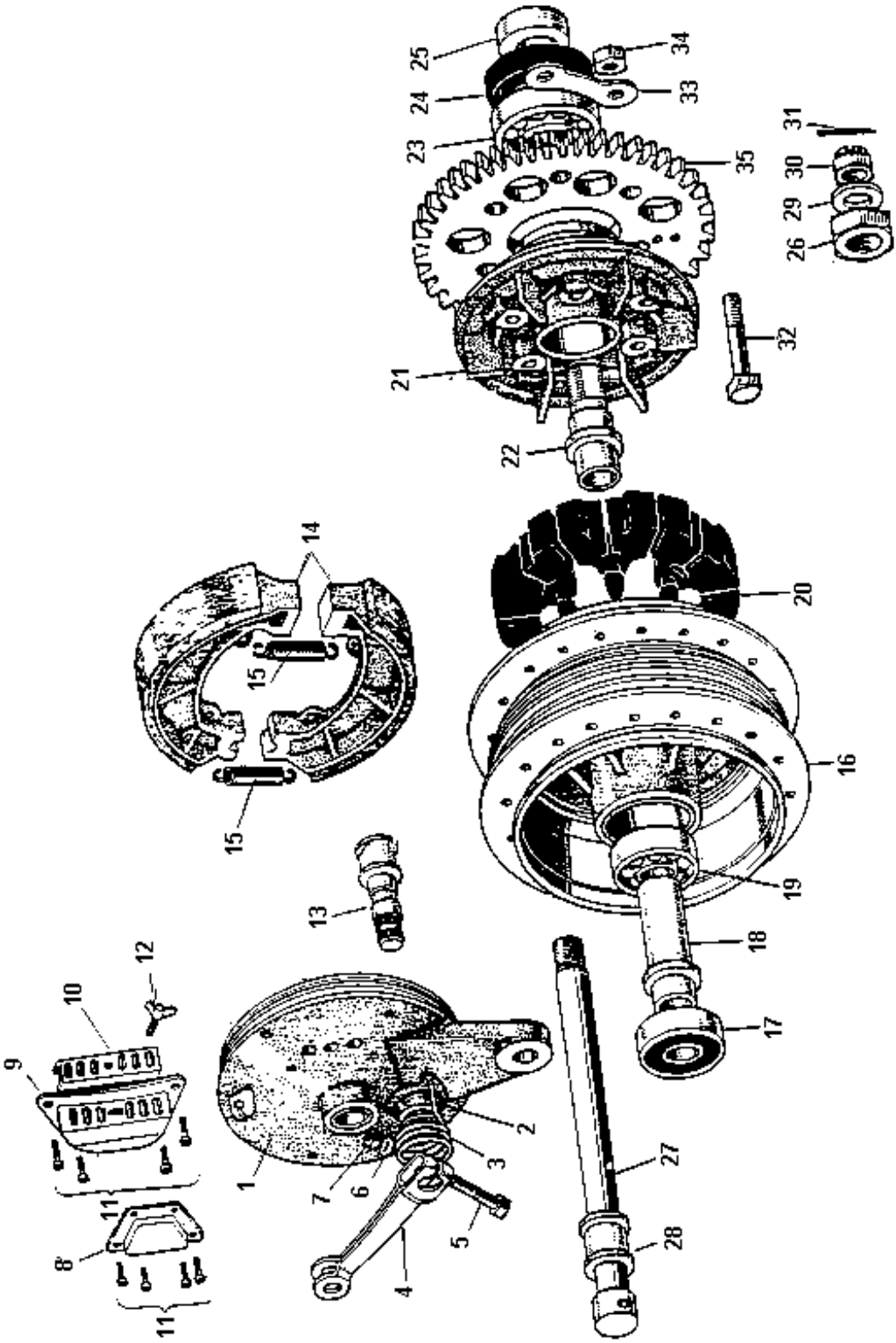


## 21. Rear hub (1/2).

Ref n°	D.P. n°	New parts n° (Old parts n°)	Part name	Quantity
1->15	1119877	42006-013	Rear brake panel assy	1
2	1066692	41051-001	Brake cam shaft dust shield	1
3	1119885	41056-003	Brake cam lever spring	1
4	1075586	42029-006 (A1020-2451)	Rear brake cam lever	1
5	1042599	110B0640	6X10 hex head bolt	1
6	1064827	411B0600	6 m/m plain washer	1
7	1054872	310B0600	6 m/m nut	1
8*	1119915	42023-001 42023-002	Ventilator outlet WHN EXH USE 42023-002 Ventilator outlet	1
9*	1119907	42022-001 42022-002	Ventilator inlet WHN EXH USE 42022-002 Ventilator inlet	1
10	1119923	42024-001	Air shutter	1
11*	1121146	220E0306A 220E0406A	3X6 pan head screw ISO thread 3X6 pan head screw	8 8
12	1119958	92001-062	3X10 wing bolt ISO thread	1
13	1119966	42026-009	Rear brake cam shaft	1
14	1073958	42019-004 (W1020-6720)	Brake shoe	2
15	1119974	42020-003 (W1020-6724)	Brake shoe spring	2
16->20	1119982	42005-015	Rear brake drum assy	1
17	1067664	601B6205Z	6205Z ball bearing	1
18	1120018	42010-014	Rear hub bearing spacer	1
19	1067729	601B6303Z	6303Z ball bearing	1
20	1120026	42014-014	Rear hub shock damper	6
21->26	1120034	42008-005	Rear hub coupling assy	1
22	1120042	42036-011	Rear hub coupling sleeve	1
23	1087745	601B6305	6305 ball bearing	1
24	1120069	92050-027	Oil seal	1
25	1120077	42037-017	Sleeve collar	1
26	1066846	42045-006 (5020-6798)	Sleeve nut	1
27	1120085	42031-021	Rear axle	1

\*Rev. 20 Feb. 1972

21. Rear hub (2/2).

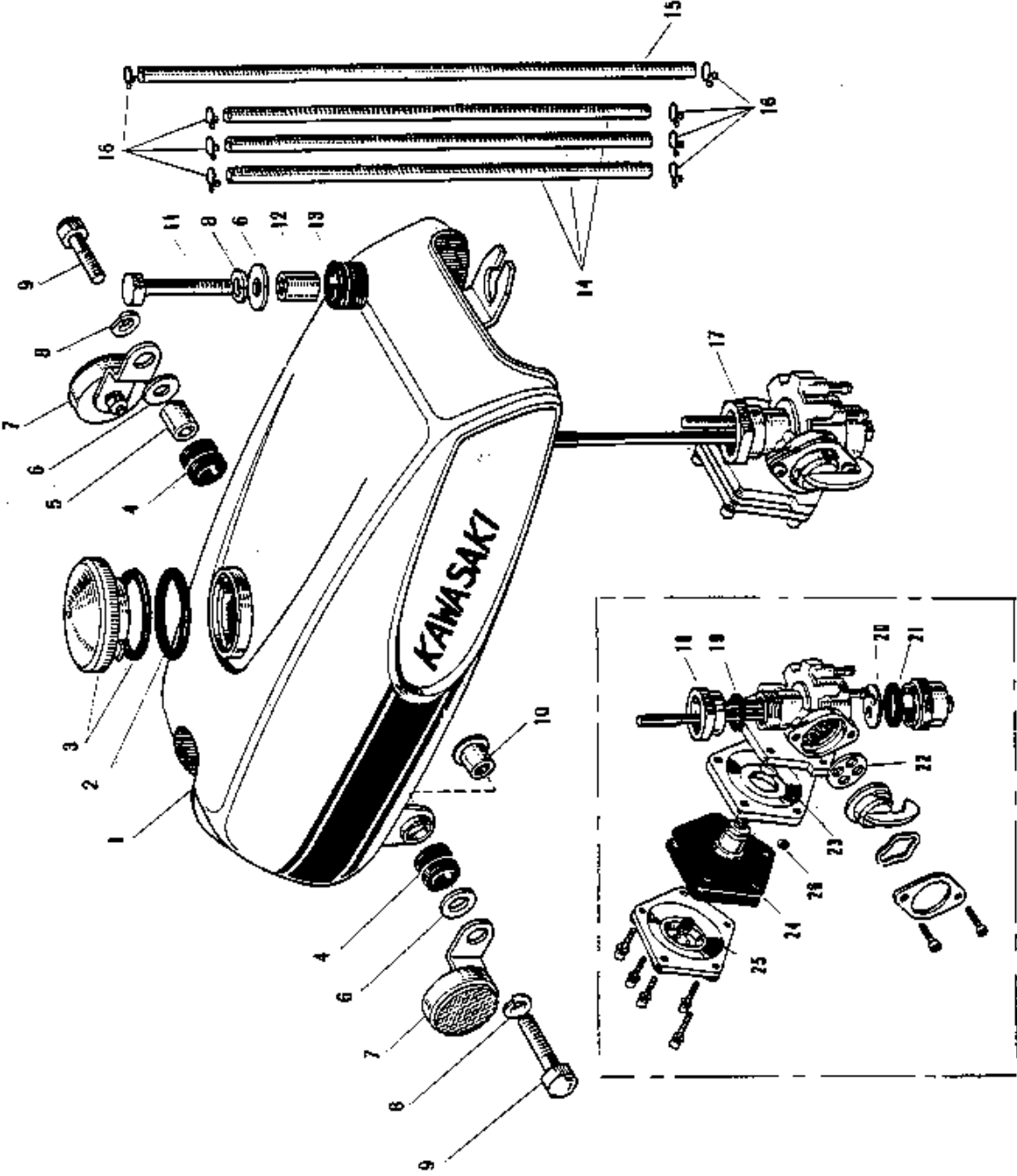


**21. Rear hub (2/2).**

Ref n°	D.P. n°	New parts n° (Old parts n°)	Part name	Quantity
28	1120093	42032-017	Rear axle collar	1
29	1072358	42046-010 (6020-6774)	L.H. sleeve washer	1
30	1120107	42045-014	16 m/m castle nut	1
31	1067389	550D4030	4X30 cotter pin	1
32	1015222	92003-015 (A1020-2482)	Rear sprocket fitting bolt	6
33	1120115	92088-007	Lock washer	3
34	1108352	42045-005 (G1020-2462)	10 m/m nut	6
35	1120158	42041-046	Rear sprocket (45 teeth) STD	1
	1120166	42041-047	Rear sprocket (43 teeth) Option	
		42041-077	Rear sprocket (47 teeth) Option	

*\*Rev. 15 April 1970*

22.Fuel tank.

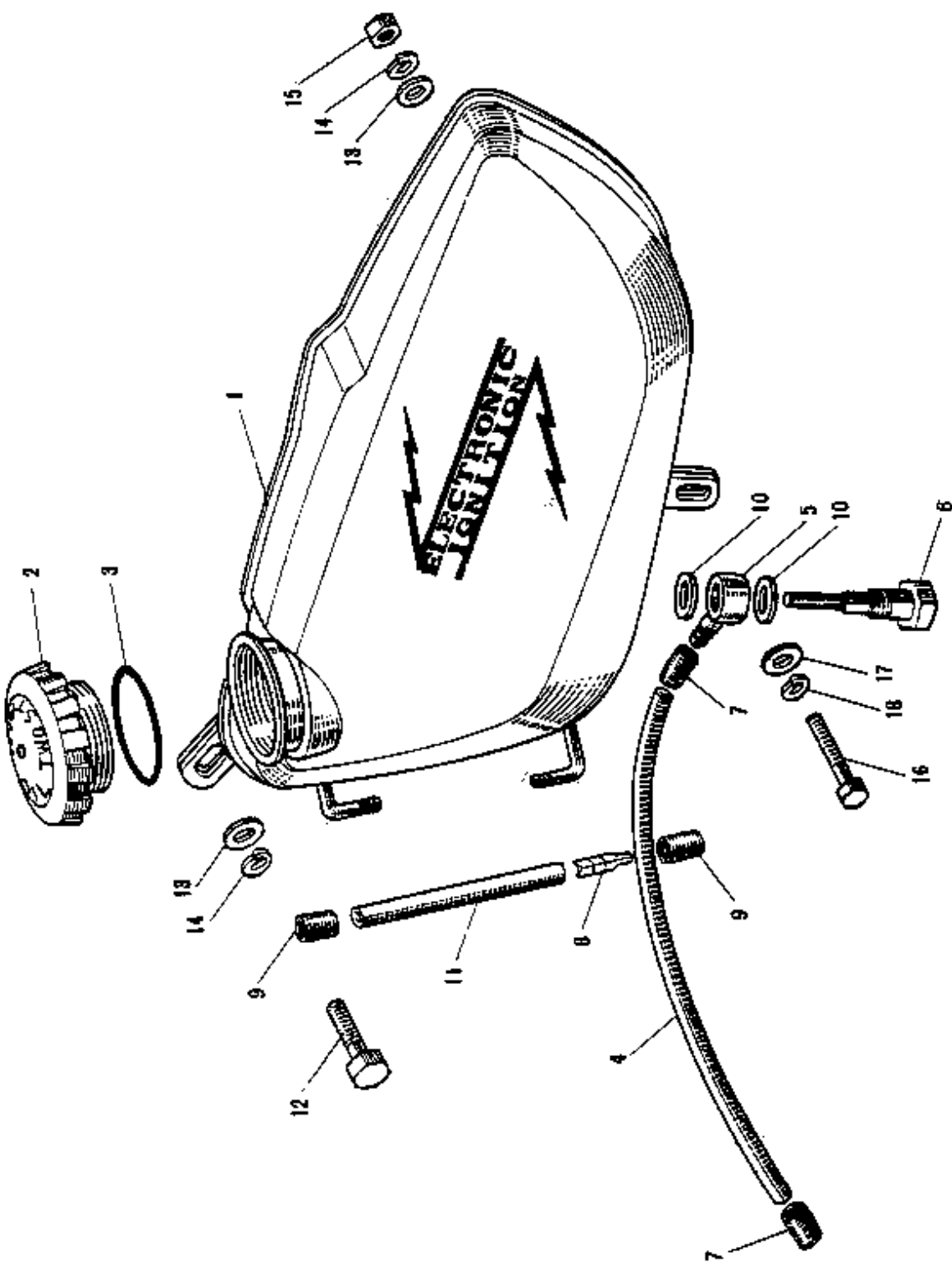


## 22. Fuel tank.

Ref n°	D.P. n°	New parts n° (Old parts n°)	Part name	Quantity
1*	1120174	51001-047-19 51001-047-24 51001-047-47	Fuel tank midnight white Fuel tank candytone red Fuel tank peacock gray	1 1 1
2*	1075098	51059-001 (5020-7072) 51059-007	Fuel tank cap gasket WHN EXH USE 51059-007 Fuel tank cap gasket	(1)  1
3	1066927	61049-008 (5020-7070)	Fuel tank cap	1
4	1062255	92075-013 (311-4134)	Fuel tank front shock damper	2
5	1058754	92027-012 (310-4136)	Fuel tank mounting spacer	1
6	1058762	92022-035 (310-4137)	Fuel tank fitting washer	3
7	1090755	28001-004 (788 651-7900)	Reflex reflector	2
8	1065149	461F0800	8 m/m spring washer	3
9	1047914	92007-002 (2020-3134)	Handle bar fitting bolt	2
10	1015826	92027-033 (A1020-4636)	Fuel tank front mounting spacer	1
11	1043137	110B0832	8X32 hex head bolt	1
12	1015842	92027-034 (A1020-4662)	Fuel tank rear mounting spacer	1
13	1015834	92075-030 (A1020-4661)	Fuel tank rear shock damper	1
14	1058894	51047-001 (310-4311)	Fuel tank connecting pipe L = 190 m/m	3
15	1104772	92059-008 (725 610-4505)	Oil tank pipe L = 260 m/m	1
16	1058908	92037-010 (310-4312)	Fuel pipe clamp	8
17	1120182	51023-014	Fuel cock assy	1
18	1120204	51035-005	Fuel cock joint nut	1
19	1120212	92065-054	Fuel cock joint gasket	1
20	1120239	51038-005	Fuel stainer	1
21	1120247	51037-007	Fuel cock cup gasket	1
22	1120255	92065-055	Fuel cock lever gasket	1
23	1120263	92055-028	« O » ring	1
24	1120298	51069-001	Fuel cock diaphragm	1
25	1120336	92081-048	Fuel cock diaphragm spring	1
26	1120344	92065-052	7 m/m rubber gasket	1

\*Rev. 15 April 1970

23. Oil pump.

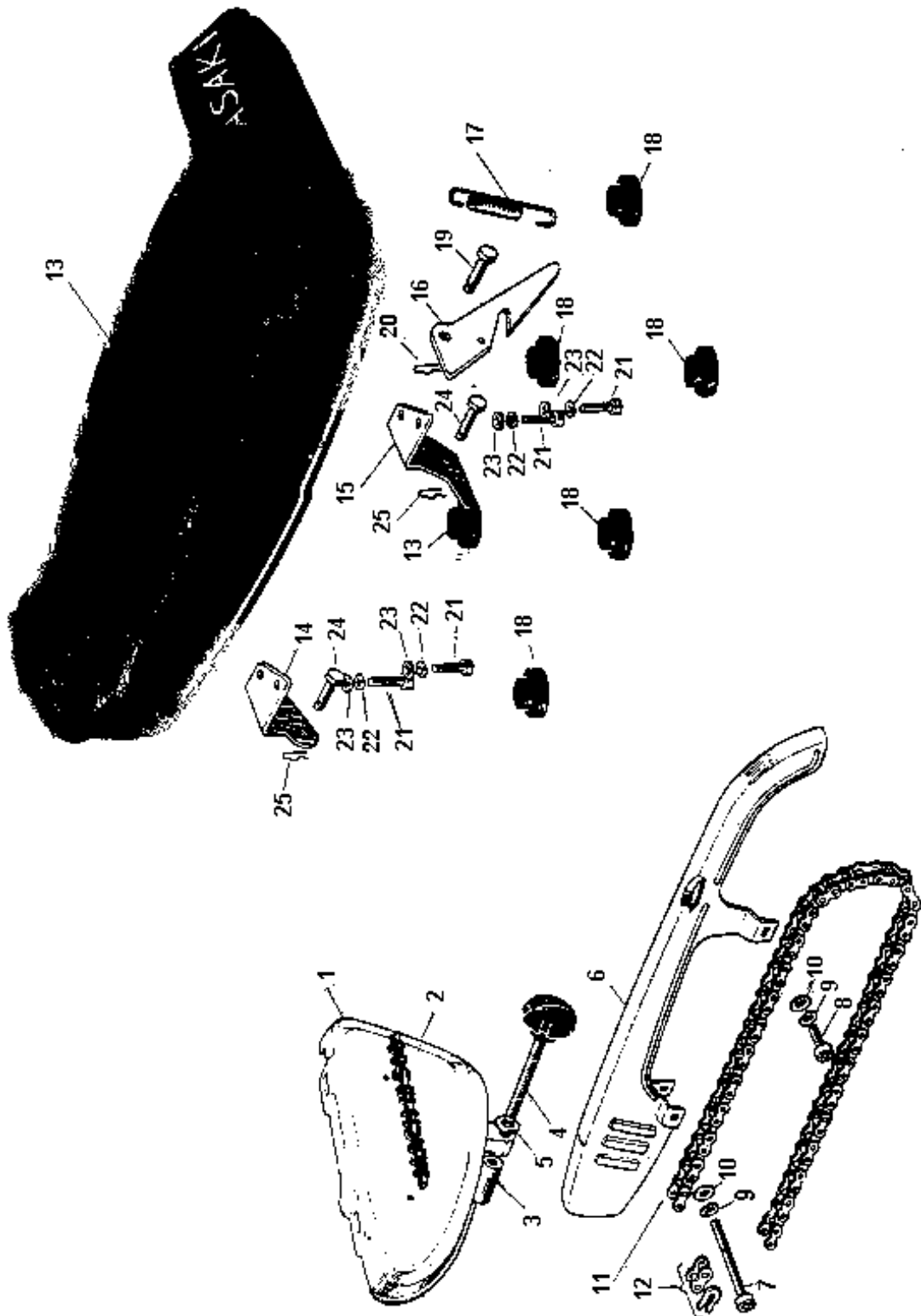


### 23. Oil pump.

Ref n°	D.P. n°	New parts n° (Old parts n°)	Part name	Quantity
1*	1120352	52001-015-19 52001-015-24 52001-015-47	Oil tank Midnight white Oil tank Candytone red Oil tank Peacock gray	1 1 1
2	1120379	52003-009	Oil tank cap	1
3	1073478	670B3036	36 m/m « O » ring	1
4	1017152	92059-021 (A1041-4509)	Oil tank pipe	1
5	1054473	92061-003 (2320-4507)	Oil tank bango	1
6*	1054503	92060-001 (2320-4508)	Oil tank bango bolt	1
7	1016954	92081-027 (A1030-7136)	Oil pipe holder	2
8	1023379	52005-004 (A7040-4513)	Oil level gauge	1
9	1054538	92037-040 (2320-4509)	Oil level gauge clamp	2
10	1073796	751P1000	10 m/m gasket	2
11	1098179	700Q0695	6X95 vinyl tube	1
12*	1042645	110B0816	8X16 hex head bolt WHN EXH USE 110B0818	(1)
	1042653	110B0818	8X16 hex head bolt	1
13	1064835	411B0800	8 m/m plain washer	2
14	1065149	461F0800	8 m/m spring washer	2
15	1054899	310B0800	8 m/m nut	1
16	1042602	110B0660	6X60 hex head bolt	1
17	1064827	411B0600	6 m/m plain washer	1
18	1065122	461F0600	6 m/m spring washer	1

\*Rev. 15 April 1970

24. Side cover, chain cover, dual seat.



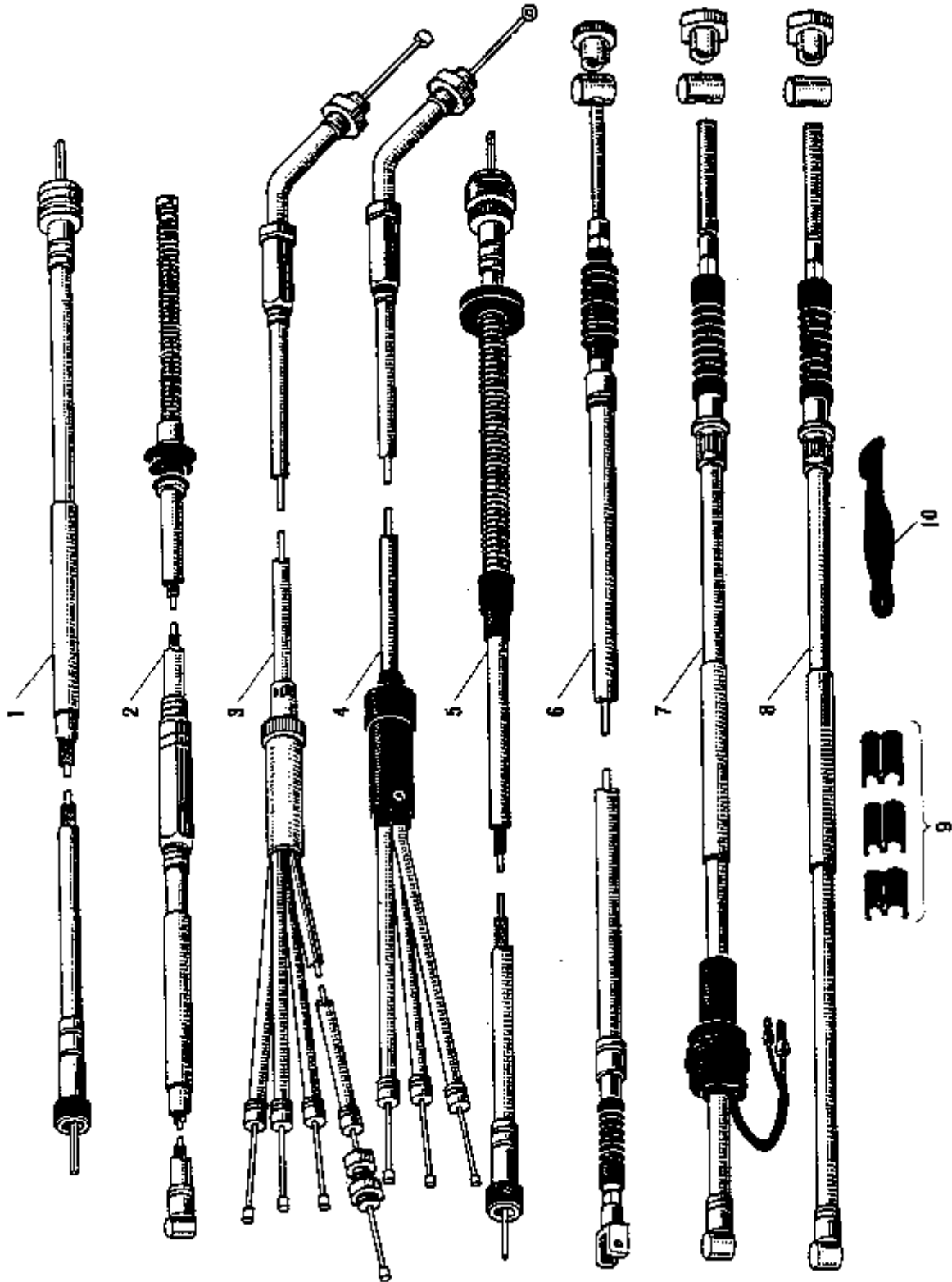


#### 24. Side cover, chain cover, dual seat.

Ref n°	D.P. n°	New parts n° (Old parts n°)	Part name	Quantity
1*	1120387	36001-025-19	L.H. side cover, Midnight white	1
		36001-025-24	L.H. side cover, Candytone red	1
		36001-025-47	L.H. side cover, Peacock gray	1
2*	1120398	56018-021	Side cover emblem White	1
		56018-025	Side cover emblem Black	
3*	1016075	92094-001 (A1020-6105)	Side cover knob rubber	1
4	1073273	92077-016 (6120-9715)	L.H. side cover knob	1
5	1064703	410B0600	6 m/m plain washer	1
6	1120409	36014-027	Chain cover	1
7	1096907	220E0655	6X35 pan head screw	1
8	1052845	220E0612	6X12 pan head screw	1
9	1065122	461F0600	6 m/m spring washer	2
10	1064827	411B0600	6 m/m plain washer	2
11*	1121332	92057-004	Drive chain assy WHN EXH USE 92057-005 D.I.D. 50 HT	(1)
		92057-005	Drive chain assy D.I.D. 50 HD	1
12*	1121995	92058-009	Drive chain joint assy WHN EXH USE 92058-012	(1)
		92058-012	Drive chain joint assy	1
13->23	1120417	53001-047	Dual seat assy WHN EXH USE 53001-060	(1)
		53001-060	Dual seat assy	1
14	1120425	53009-012	Hinge (front)	1
15	1120433	53009-013	Hinge (rear)	1
16	1120468	53008-006	Hook	1
17	1017756	53012-002	Hook spring	1
		(A1320-8414)		
18	1029177	92075-023	Dual seat damper	6
19	1017764	53011-001	Dual seat pivot pin	1
		(A1320-8415)		
20*	1067222	550D2015	2X15 cotter pin WHN EXH USE 92041-005	(1)
		92041-005	Cotter pin	1
21	1042467	110B0614	6X14 hex head bolt	4
22	1065122	461F0600	6 m/m spring washer	4
23	1064827	411B0600	6 m/m plain washer	4
24	1017764	53011-001	Dual seat pivot pin	2
		(A1320-8415)		
25	1067222	550D2015	2X15 cotter pin	2

\*Rev. 15 April 1970

25. Cables.



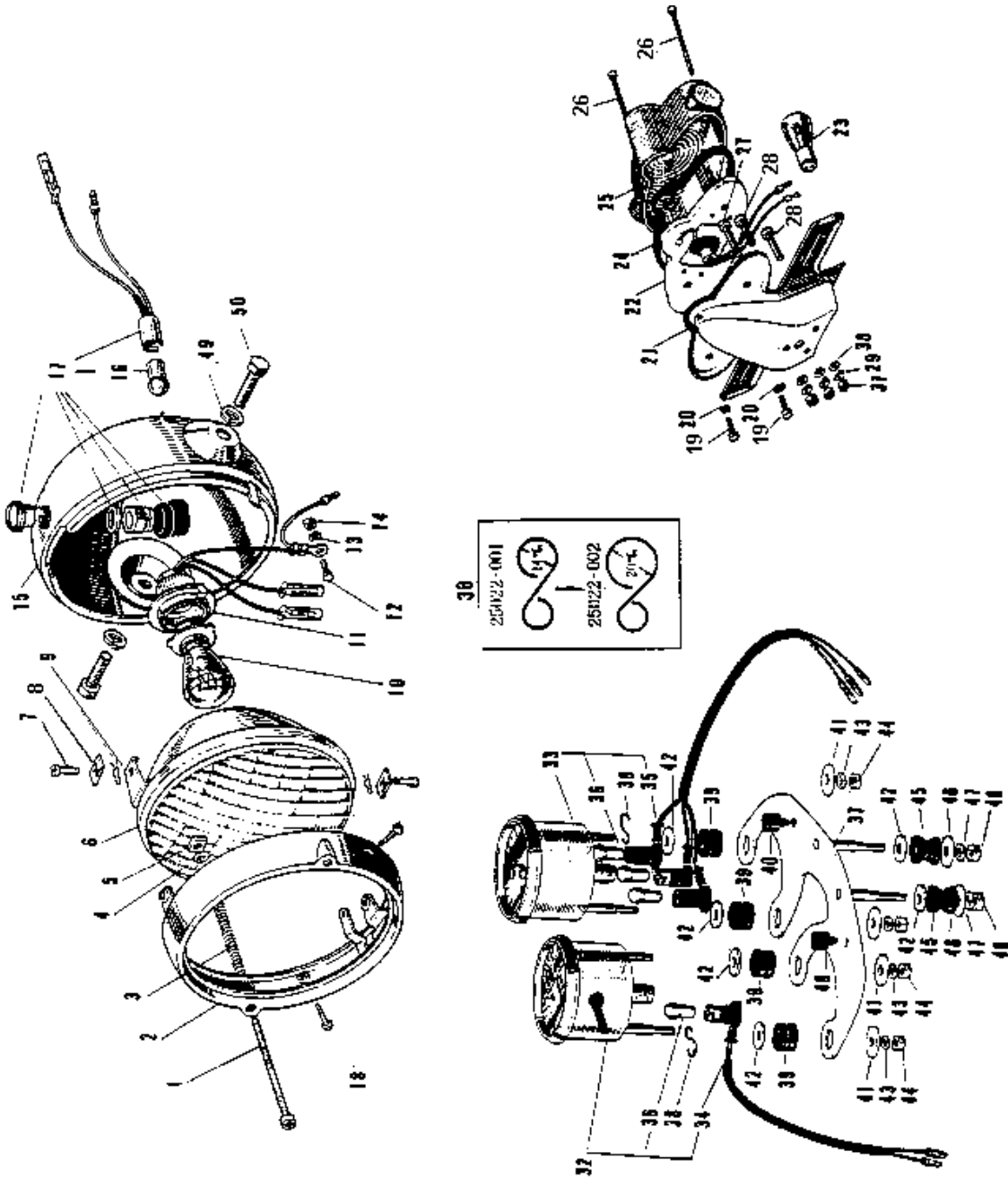
## 25. Cables.

Ref n°	D.P. n°	New parts n° (Old parts n°)	Part name	Quantity
1	1120476	54001-026	Speedometer cable assy Ident letter N1M	1
2	1120484	54011-030	Clutch cable assy Ident letter N1C	1
	*1120492	54011-032	Clutch cable assy Ident letter N1CL	
3	1120506	54012-054	Combination cable assy Ident letter N1T	1
	*1120514	*54012-055	Combination cable assy Ident letter N1TL	
4	1120522	54017-031	Starter cable assy Ident letter N1S	1
	*1120557	*54017-032	Starter cable assy Ident letter N1SL	
5	1120557	54018-007	Tachometer cable assy Ident letter N1T	1
6	1120565	54022-011	Rear brake cable assy Ident letter N1B	1
7	1120573	54005-040	Front brake cable assy Ident letter N1E	1
8	*1120603	*54005-019 (A1020-E001-2)	Front brake cable assy Ident letter ABC	
9*	1049313	92037-017 (2020-5414)	Cable clamp Deleted March 1969	
10	1072994	92072-013 (6020-9108)	Rubber band	1

Note : Indicates cables as optional parts for 46005-005 Low handlebar (ref. N°16-2) and not equipped on standa rt model.

\*Rev. 1 July 1969

26. Electrical equipment (1/2).

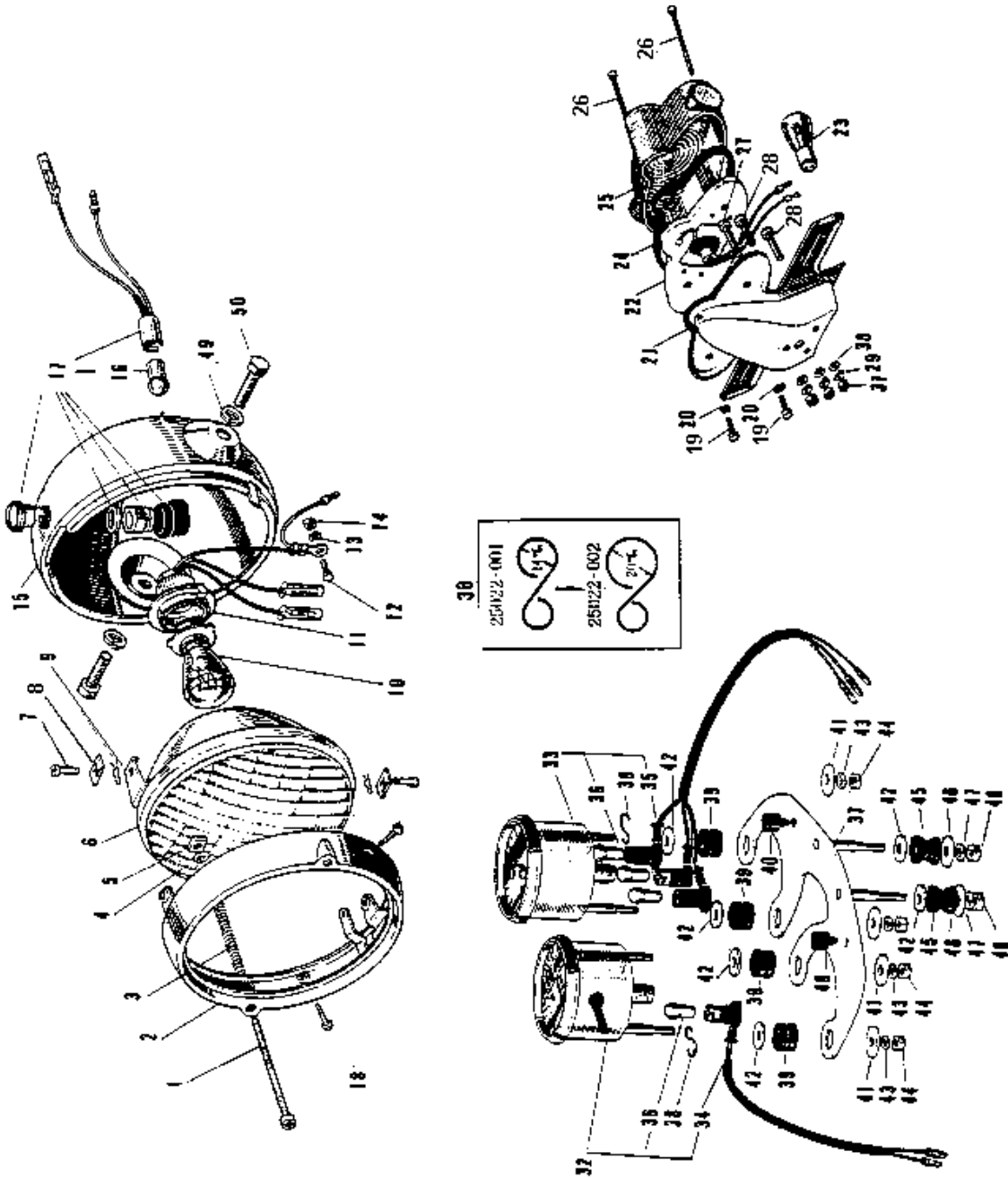


## 26. Electrical equipment (1/2).

Ref n°	D.P. n°	New parts n° (Old parts n°)	Part name	Quantity
1->14	1120638	23004-020	Head lamp unit Cr-plated on 788 630-7100	1
1*	1136593	23019-021	Focus adjusting screw ISO Thread	1
2	1090968	23006-017 (788 630-7112)	Head lamp rim	1
3	1085468(	23014-005 (756 831-7132)	Focus adjusting spring	1
4	1085476	23021-004 (756 831-7133)	Washer	1
5*	1136607	23020-016	Nut ISO Thread	1
6	1090976	23007-013 (788 630-7113)	Head lamp lens unit	1
7	1085492	23019-018 (756 831-7136)	Lens unit fitting screw	2
8	1085506	23020-009 (756 831-7137)	Lens unit fitting nut	2
9	1085514	23022-001 (756 831-7138)	Lens unit fitting pin	2
10	1085336	92069-037 (756 831-7114)	Head lamp bulb 12V 35/25W	1
11	1085344	23008-011 (756 831-7115)	Socket & cord assy	1
12	1120964	211B0306A	3X6 pan head screw ISO Thread	1
13	1065106	461F0300	3 m/m spring washer	1
14	1121219	310B0300A	3 m/m nut ISO Thread	1
15	1120646	23005-023	Head lamp body Cr-plated on 788 630-7111	2
16	1058983	92069-017 (310-5312)	12V 1.5W bulb	1
17	1090925	23016-002 (788 630-7103)	High beam indicator lamp assy	1
18	1121162	222E0510A	5X10 oval countersunk head screw ISO Thread	2
19->26	1082736	23025-027 (A10207200)	Tail lamp assy	1
19	1120905	110N0512A	5X12 hex head bolt ISO Thread	2
20	1065114	461F0500	5 m/m spring washer	2
21	1080016	23036-002 (A1020-7205)	License plate bracket	1
22	1086022	23027-009 (A1020-7204)	Tail lamp socket	1
23	1032119	92069-039 (F1060-7201)	Tail lamp bulb 12V 32/4cp	1
24	1082639	23028-008 (A1020-7203)	Tail lamp gasket	1
25	1080482	23026-010 (A1020-7202)	Tail lamp lens	1

\*Rev. 1 July 1969

26. Electrical equipment (2/2).

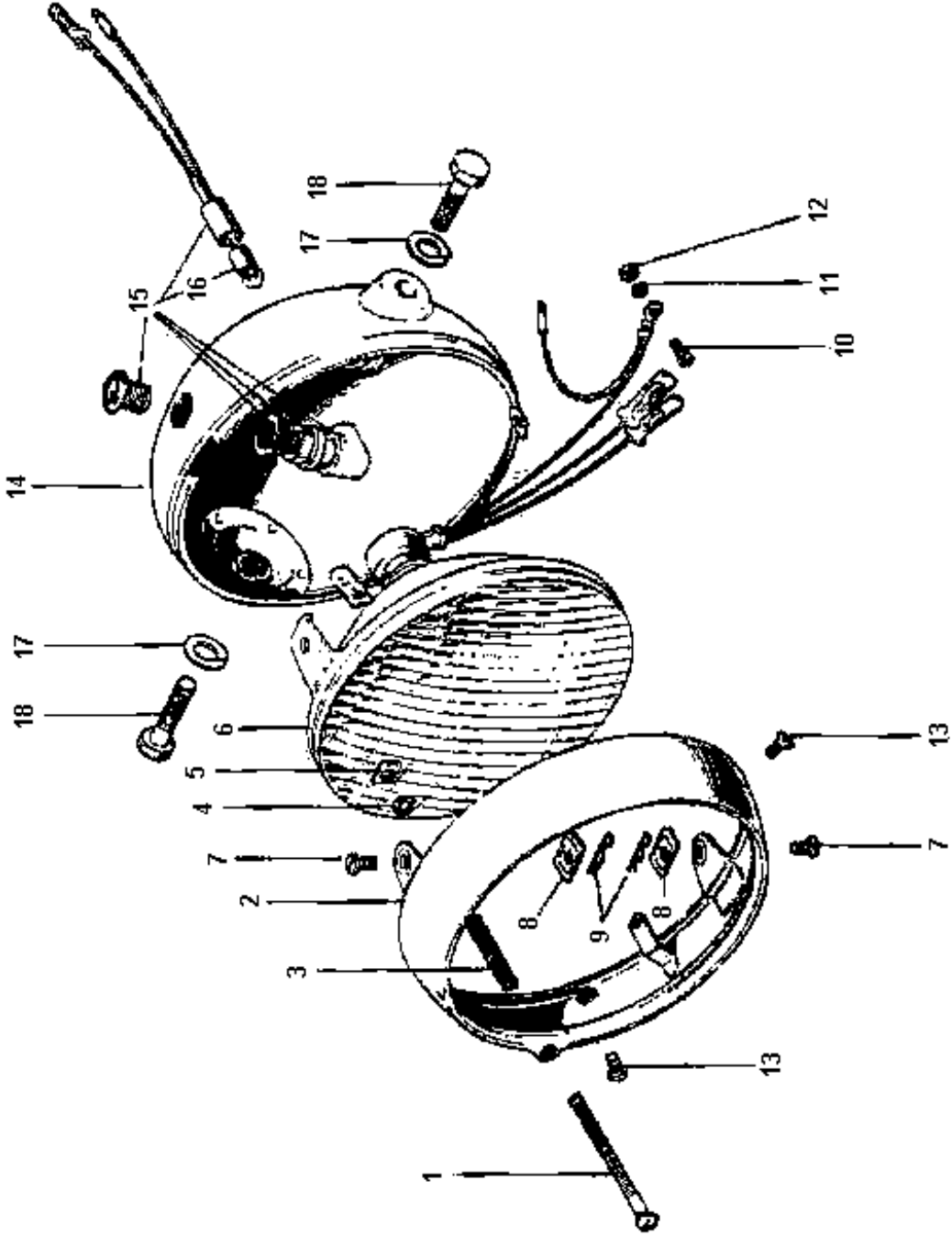


## 26. Electrical equipment (2/2).

Ref n°	D.P. n°	New parts n° (Old parts n°)	Part name	Quantity
26	1121154	220E0450A	4X50 pan head screw ISO Thread	2
27*	1042599	110B0640	6X40 hex head bolt	1
28*	1042556	100B0630	6X30 hex head bolt	2
29	1065122	461F0600	6 m/m spring washer	3
30*	1064827	411B0600	6 m/m plain washer	3
31	1054899	310B0600	6 m/m nut	3
32	1099558	25005-027 (787622-5310)	Speedometer assy mile/h indicator	1
	1120654	25001-011	Speedometer assy km/h indicator	
33	1120662	25015-006	Tachometer assy	1
34*	1099566	25011-003 (787622-5312)	Speedometer socket assy	1
35	1120689	25011-011	Tachometer socket assy	1
36	1059016	92069-018 (310-5317)	12V 3W bulb	4
37	1120697	25008-009	Speedometer bracket	1
38	1120719	25022-001	Cable clamp WHN EXH USE 25022-002	(2)
38*	1137646	25022-002	Cable clamp	2
39	1099892	92075-034 (788 621-5381)	Speedometer shock damper	4
40	1099914	92075-035 (788621-5384)	Speedometer seat rubber	2
41	1099906	92022-104 (788 621-5383)	Speedometer fitting washer	4
42	1064835	411B0800	8 m/m plain washer	6
43	1065114	461F0500	5 m/m spring washer	4
44	1121227	310B0500A	5 m/m nut ISO Thread	4
45	1108603	92075-024 (725 610-5312)	Speedometer shock damper	2
46	1107534	92022-125 (789 621-5383)	Speedometer fitting washer	2
47	1065122	461F0600	6 m/m spring washer	2
48	1054899	310B0600	6 m/m nut	2
49	1065157	461F1000	10 m/m spring washer	2
50	1040286	92007-011 (W1020-9028)	Head lamp fitting bolt	2

\*Rev. 1 July 1969

30. Head lamp : sealed beam type.



\*Rev.15 April 1970

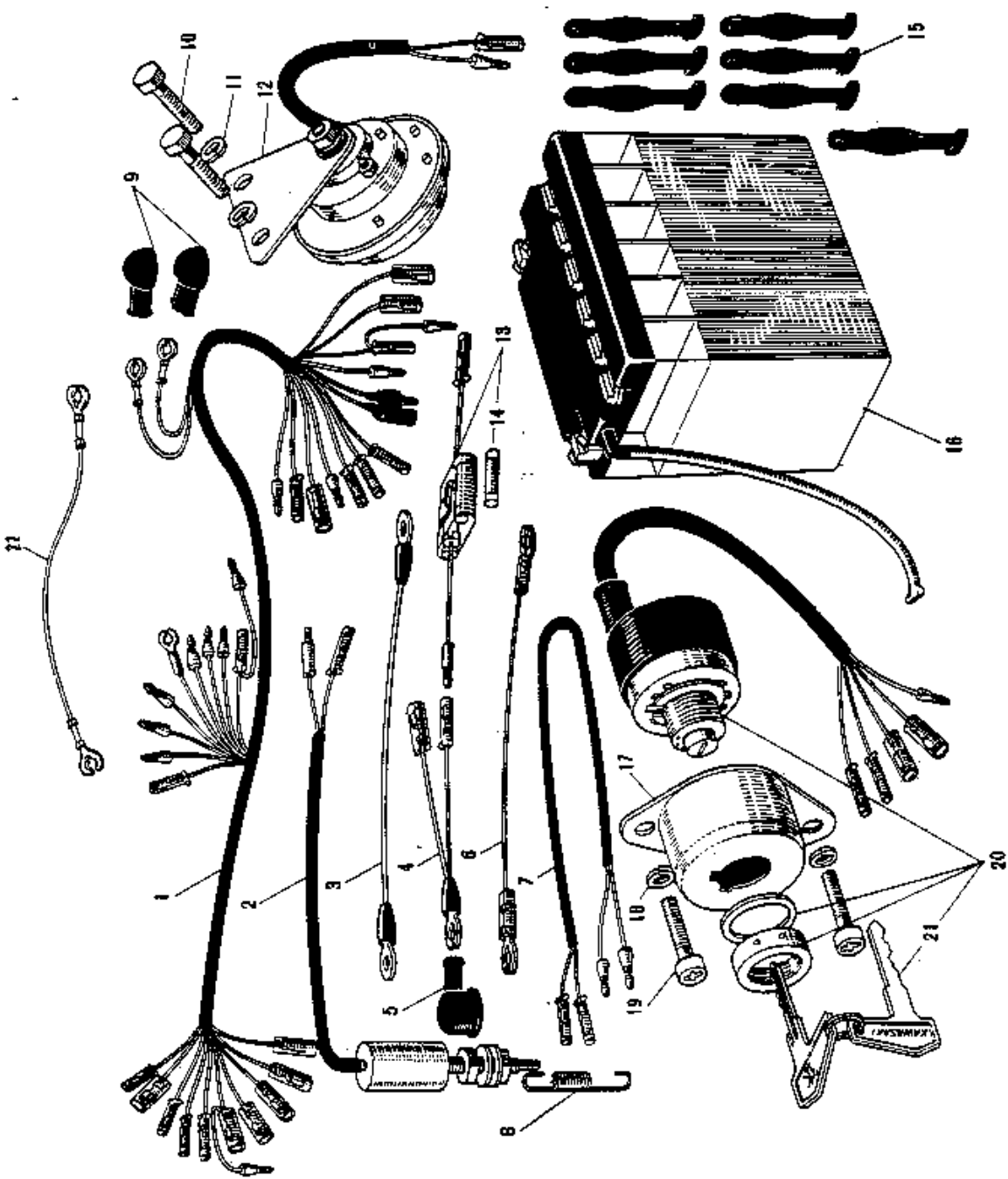


**30. Head lamp : sealed beam type.**

Ref n°	D.P. n°	New parts n° (Old parts n°)	Part name	Quantity
1->13	23003-011		Head lamp unit	1
1	23019-021		Focus adjusting screw ISO Thread	1
2	23006-017	788 630-7112	Head lamp rim	1
3	23014-005	756 831-7132	Focus adjusting spring	1
4	23021-004	756 831-7133	Washer	1
5	23020-016		Nut ISO Thread	1
6	23007-025		Head lamp sealed beam unit (12V 35/25W)	1
7	23019-018	756 831-7136	Lens unit fitting screw	2
8	23020-009	756 831-7137	Lens unit fitting nut	2
9	23022-001	756 831-7138	Lens unit fitting pin	2
10	211B0306A		3X6 pan head screw ISO Thread	1
11	461F0300		3 m/m spring washer	1
12	310B0300A		3 m/m nut ISO Thread	1
13	222E0510A		5X10 oval countersunk head screw ISO Thread	2
14	23005-018-10	788 630-7111-10	Head lamp body (black)	1
15	23016-002	788 630-7103	High beam indicator lamp assy	1
16	92069-017	310-5312	12V 1.5W Bulb	1
17	461F1000		10 m/m spring washer	2
18	92007-011	W1020-9028	Head lamp fitting bolt	2

\*Rev.15 April 1970

27. Electrical equipment B.



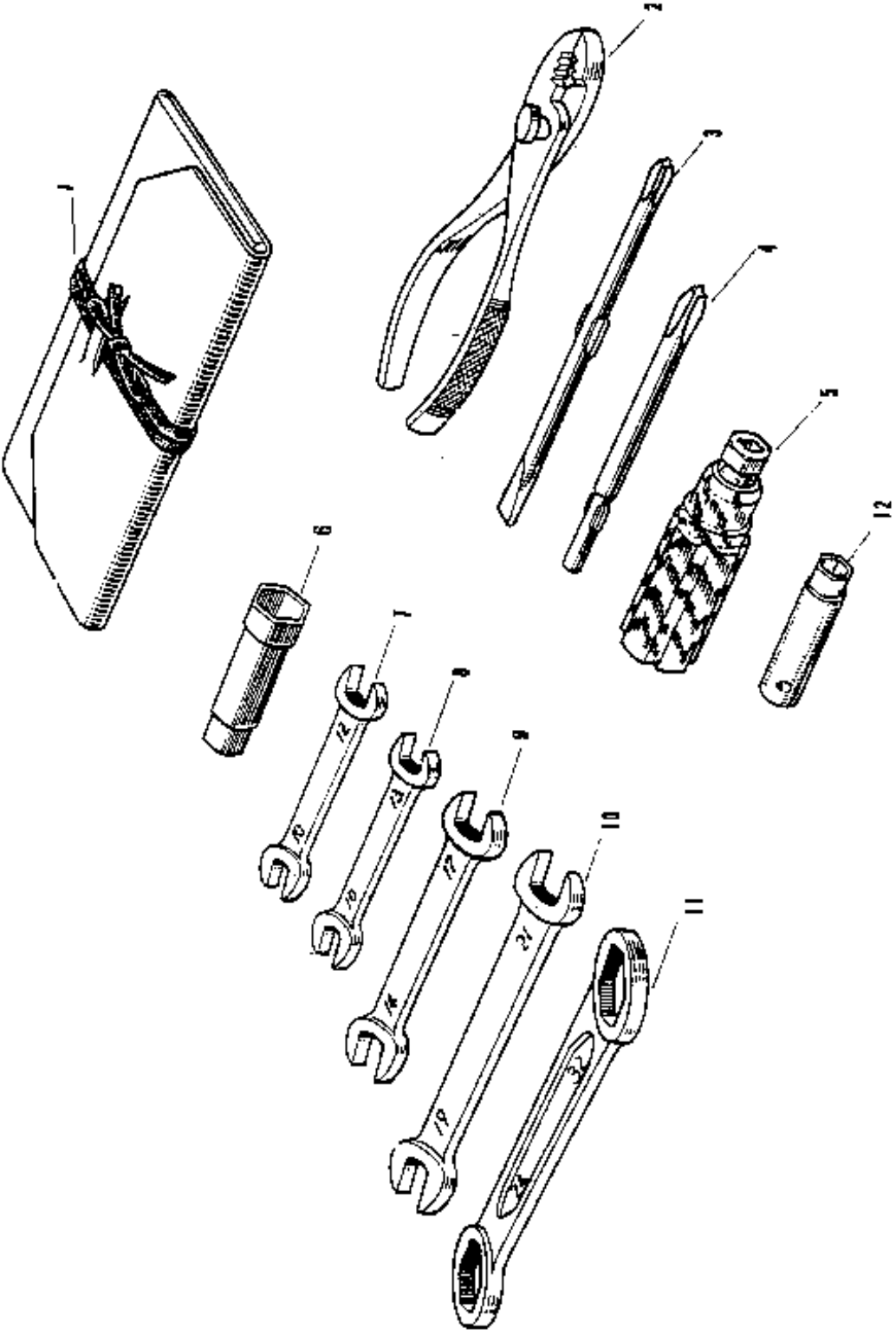
\*Rev. 1 July 1969

## 27. Electrical equipment B.

Ref n°	D.P. n°	New parts n° (Old parts n°)	Part name	Quantity
1	1120735	26001-031	Main wiring harness	1
2*	1073028	27010-006 (6020-9130)	Brake lamp switch	1
3	1016156	26010-014 (A1020-7652)	Battery ground wire	1
4	1016148	26010-015 (A1020-7651)	Battery lead wire	1
5	1059882	92073-001 (310-7665)	Battery terminal rubber cap	1
6	1120743	26011-025	Ground wire	1
7	1016113	26002-007 (A1020-7620)	Rear wiring harness	1
8*	1016326	27011-009 (A1020-7742)	Brake lamp switch spring	1
9	1066978	92073-003 (5020-9163)	Ignition coil cap	2
10	1042688	110B0820	8X20 hex head bolt	2
11	1065149	461F0800	8 m/m spring washer	2
12	1090682	27003-014 (788 651-7420)	Horn	1
13	1120778	26004-005 (C1020-7620)	Fuse assy	1
14	1120786	26006-002 (C1020-7621)	Fuse 20A	2
15	1072994	92072-013 (6020-9108)	Rubber band	7
16	1120794	26012-017 (787 622-7810)	Battery 12V 9AH	1
17	1120808	27009-005	Ignition switch housing	1
18	1065122	461F0600	6 m/m spring washer	2
19	1052578	220B0612	6X12 pan head screw	2
20	1120816	27005-021	Ignition switch assy	1
21	1119273	27008-027-69	Key set n° 669	
	1119303	27008-027-70	Key set n° 670	
	1119338	27008-027-71	Key set n° 671	
	1119346	27008-027-72	Key set n° 672	
	1119354	27008-027-73	Key set n° 673	
	1119362	27008-027-74	Key set n° 674	
	1119389	27008-027-75	Key set n° 675	
	1119397	27008-027-76	Key set n° 676	
22*	1124633	26011-038	Lead wire	1

\*Rev. 15 April 1970

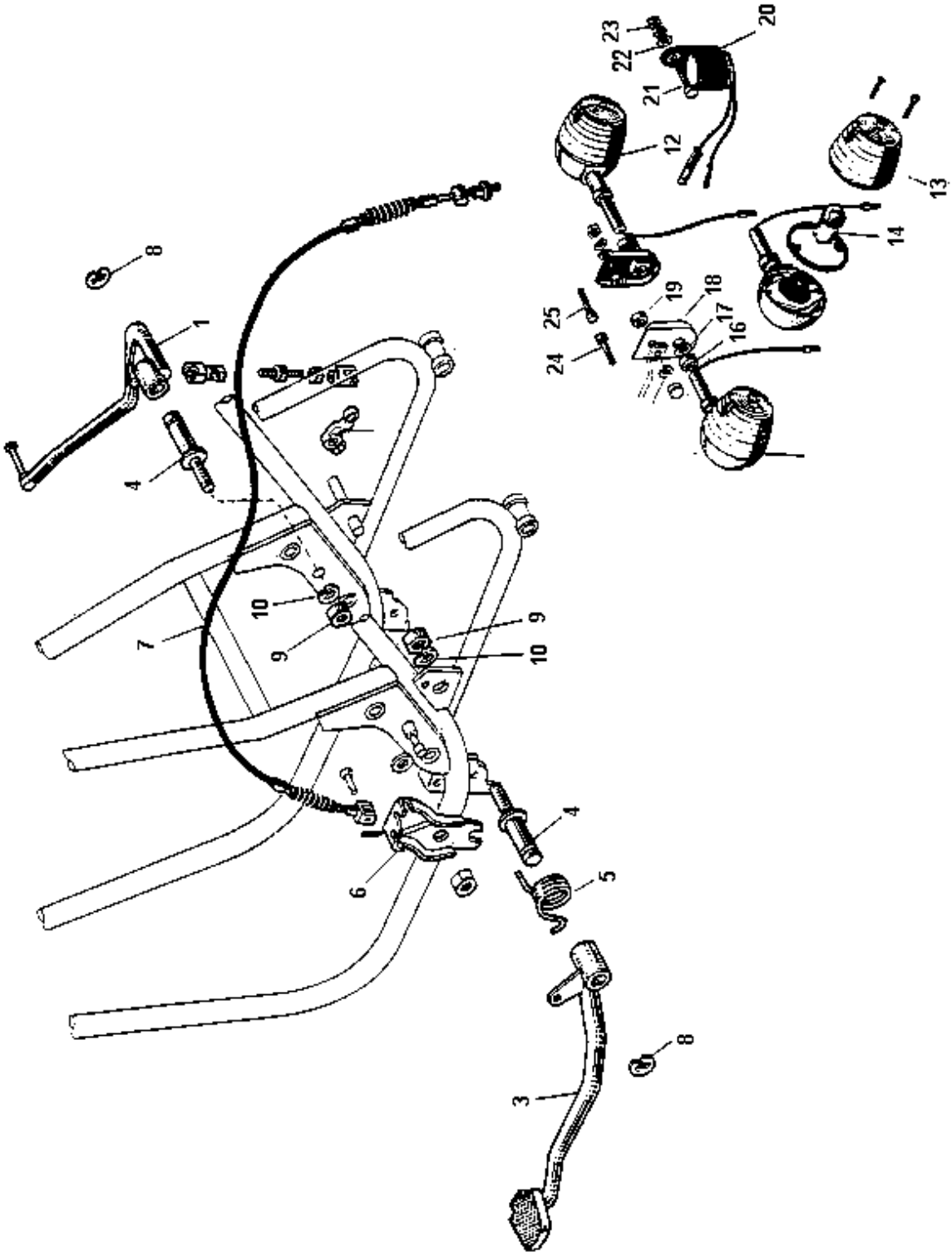
28. Tools.



## 28. Tools.

Ref n°	D.P. n°	New parts n° (Old parts n°)	Part name	Quantity
1->12	1120824	56007-017	Tool kit	1
1	1060139	56008-003 (310-8101)	Tool bag	1
2	1110233	92112-001	135 m/m pliers	1
3	1060228	92107-003 (310-8112)	N° 2 Phillips & slot screw driver	1
4	1060236	92107-005 (310-8113)	N° 3 Phillips screw driver	1
5	1060198	92106-002 (310-8111)	Screw driver grip	1
6	1120832	92110-008	17x21 box wrench	1
7	1073877	960B1012	10x12 Open end wrench	1
8	1110268	960B1013	10x13 Open end wrench	1
9	1073885	960B1417	14x17 Open end wrench	1
10	1073893	960B1921	19x21 Open end wrench	1
11	1120859	92109-002	24x32 box wrench	1
12	1121758	92110-007	10 m/m box wrench	1

29. Optional parts.



**29. Optional parts.**

Ref n°	D.P. n°	New parts n° (Old parts n°)	Part name	Quantity
1	1121413	13156-028	Gear change pedal	1
2	1121448	13158-005	Gear change pedal lever	1
3	1121456	43001-028	Brake pedal	1
4	1121464	43004-006	Brake pedal shaft	2
5	1121472	43005-012	Brake pedal return spring	1
6	1121499	32067-009	Cable bracket	1
7	1121502	54022-012	Rear brake cable assy	1
8	1121294	482K0200	12 m/m circlip	2
9	1121596	315B1200A	12 m/m nut ISO Thread	2
10	1065165	461F1200	12 m/m spring washer	2
11	1067222	550D2015	2.0x15 cotter pin	1
12	1121529	23040-020 (788 630-7310)	Turn signal lamp assy	4
13	1121537	23048-011 (725 610-7311)	Turn signal lens	4
14	1121545	92069-043 (788 630-7314)	12V 8W bulb	4
15	1121618	222B0315A	3X15 oval countersunk head screw	8
16	1063006	315B1000	10 m/m nut	4
17	1065157	461F1000	10 m/m spring washer	4
18	1121553	23051-011	Turn signal bracket	2
19	1049135	92027-015 (2020-4654)	Fuel tank fitting collar	2
20	1090208	27002-008 (A7020-7410)	Turn signal relay	1
21	1042475	110B0616	6X16 hex head bolt	1
22	1064827	411B0600	6 m/m plain washer	1
23	1054872	310B0600	6 m/m nut	1
24	1121766	110B0860	8X60 hex head bolt	1
25	1042807	110B0855	8X55 hex head bolt	1

*This file is only for home and personal use.  
It's free and cannot be sold, but you can give it.*

# **500 H1 - H1 A**



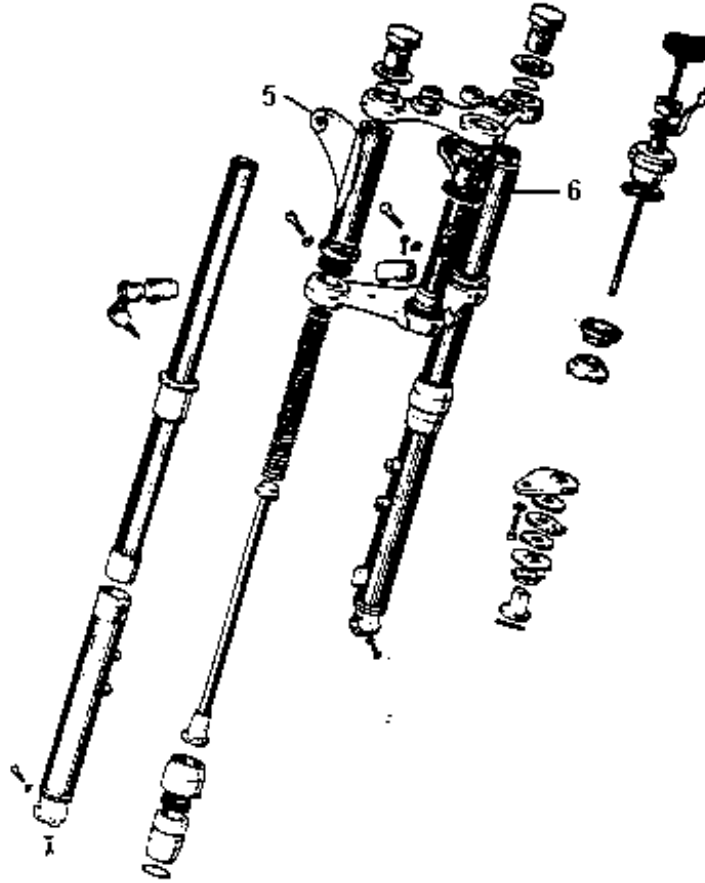
## **1970 MODEL EXCLUSIVE PARTS LIST**



*Ce fichier est destiné à un usage personnel.  
Il peut être distribué, donné,  
mais en aucun cas il ne doit être vendu ou échangé à titre onéreux*

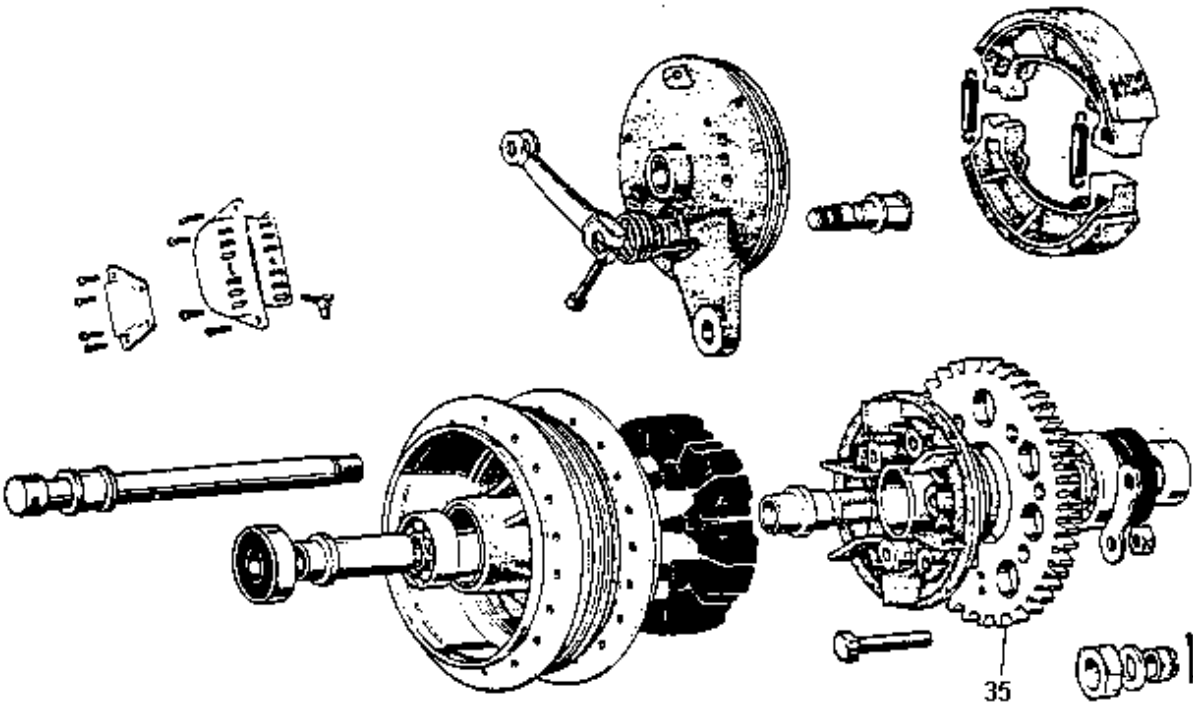


**17. Front fork.**



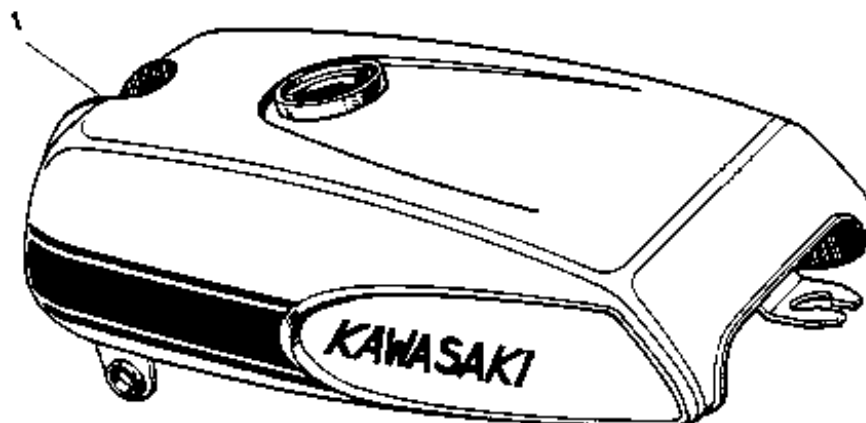
Ref n°	D.P. n°	New parts n° (Old parts n°)	Part name	Quantity
1->25		44001-045-10	Front fork assy black	1
5		44033-024-10	L.H. fork cover black	1
6		44034-023-10	R.H. fork cover black	1

**21. Rear hub.**



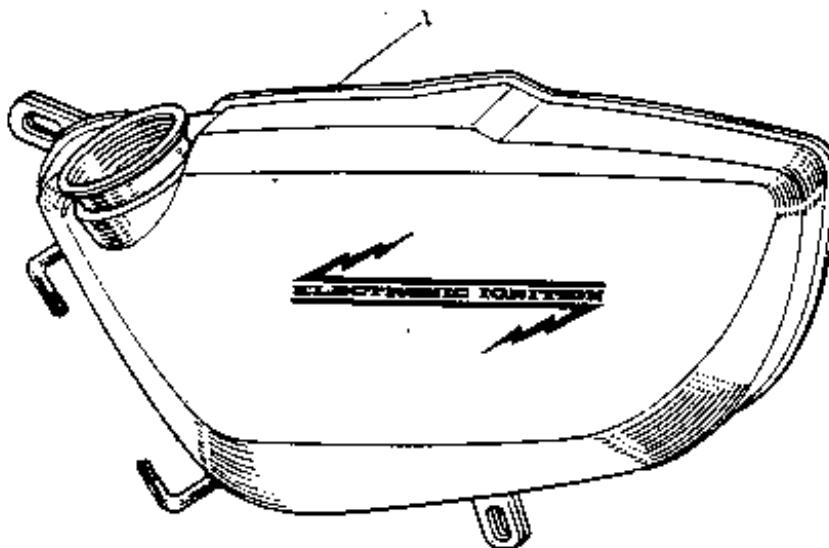
Ref n°	D.P. n°	New parts n° (Old parts n°)	Part name	Quantity
35		42041-077	Rear sprocket (47 teeth)	Option

**22. Fuel tank.**



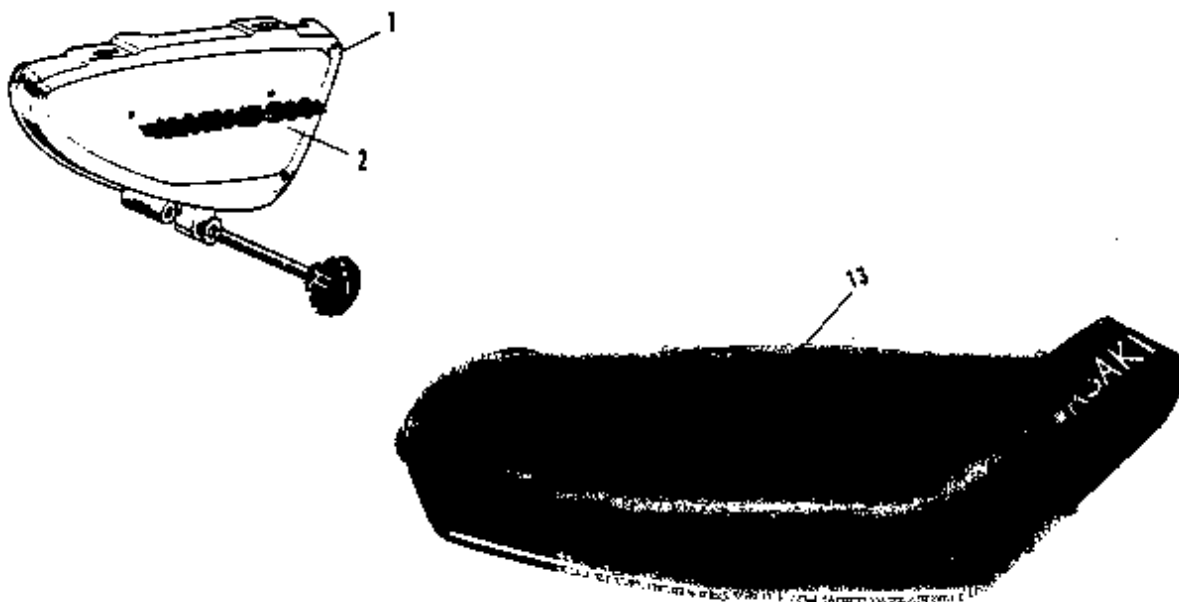
Ref n°	D.P. n°	New parts n° (Old parts n°)	Part name	Quantity
1		51001-047-47	Fuel tank Peacock gray	1

**23. Oil tank.**



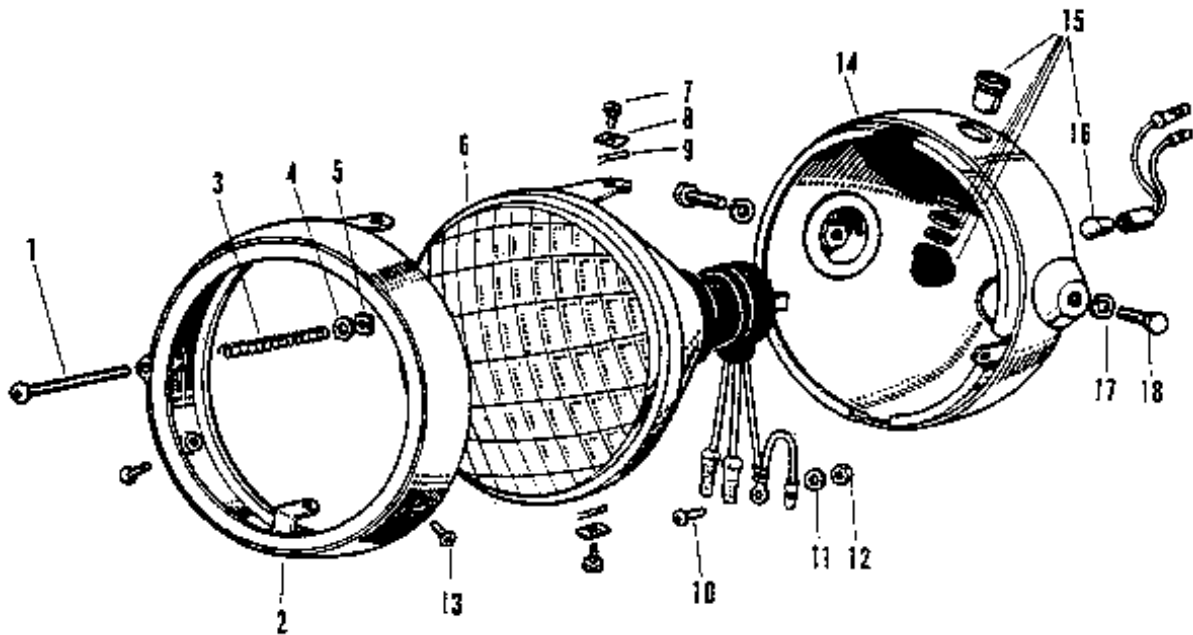
Ref n°	D.P. n°	New parts n° (Old parts n°)	Part name	Quantity
1		52001-015-47	Oil tank Peacock gray	1

**24. Side cover, chain cover, dual seat.**



Ref n°	D.P. n°	New parts n° (Old parts n°)	Part name	Quantity
1		36001-025-47	L.H. side cover Peacock gray	1
2		56018-025	Side cover emblem	1
12->23		53001-060	Dual seat assy	1

## 26. Electrical equipment (A).



Ref n°	New parts n°	Old parts n°	Part name	Quantity
1->13	23003-011		Head lamp unit	1
1	23019-021		Focus adjusting screw ISO Thread	1
2	23006-017	788 630-7112	Head lamp rim	1
3	23014-005	756 831-7132	Focus adjusting spring	1
4	23021-004	756 831-7133	Washer	1
5	23020-016		Nut ISO Thread	1
6	23007-025		Head lamp sealed beam unit (12V 35/25W)	1
7	23019-018	756 831-7136	Lens unit fitting screw	2
8	23020-009	756 831-7137	Lens unit fitting nut	2
9	23022-001	756 831-7138	Lens unit fitting pin	2
10	211B0306A		3X6 pan head screw ISO Thread	1
11	461F0300		3 m/m spring washer	1
12	310B0300A		3 m/m nut ISO Thread	1
13	222E0510A		5X10 oval countersunk head screw ISO Thread	2
14	23005-018-10	788 630-7111-10	Head lamp body Black	1
15	23016-002	788 630-7103	High beam indicator lamp assy	1
16	92069-017	310-5312	12V 1.5W bulb	1
17	461F1000		10 m/m spring washer	2
18	92007-011	W1020-9028	Head lamp fitting bolt	2